



US00D445361S

(12) **United States Design Patent**
Tirey et al.

(10) **Patent No.:** **US D445,361 S**

(45) **Date of Patent:** **** Jul. 24, 2001**

(54) **TRUCK VEHICLE BODY**

(75) Inventors: **Robert S. Tirey; L. David Allendorph; Santiago C. Abalos; Franz Mueller,** all of Fort Wayne; **Robert M. Zimmerman,** Kendallville; **Larry N. Reynard,** Fort Wayne, all of IN (US)

(73) Assignee: **International Truck and Engine Corporation,** Chicago, IL (US)

(**) Term: **14 Years**

(21) Appl. No.: **29/130,658**

(22) Filed: **Oct. 5, 2000**

(51) **LOC (7) Cl.** **12-08**

(52) **U.S. Cl.** **D12/96**

(58) **Field of Search** D12/96, 97; 296/190, 296/27; 180/89.12, 89.14, 89.16

(56) **References Cited**

U.S. PATENT DOCUMENTS

- D. 306,421 3/1990 Allendorph et al. .
- D. 306,714 3/1990 Allendorph .
- D. 307,126 4/1990 Allendorph et al. .
- D. 328,273 7/1992 McGrew, Jr. et al. .
- D. 335,272 5/1993 Allendorph et al. .

- D. 391,908 3/1998 Allendorph et al. .
- D. 394,624 5/1998 Allendorph et al. .
- D. 401,198 11/1998 Mueller et al. .
- D. 402,637 1/1999 Abalos et al. .
- D. 403,285 12/1998 Abalos et al. .
- D. 403,620 1/1999 Abalos et al. .
- D. 406,553 * 3/1999 Hellhake et al. D12/96
- D. 423,990 * 5/2000 Meryman et al. D12/96
- D. 437,238 * 2/2001 Meryman et al. D12/96

* cited by examiner

Primary Examiner—Melody N. Brown

(74) *Attorney, Agent, or Firm*—Jeffrey P. Calfa; Dennis Kelly Sullivan; Gilberto Hernandez

(57) **CLAIM**

The ornamental design for a truck vehicle body, as shown and described.

DESCRIPTION

FIG. 1 is a left, front perspective view of a truck vehicle body showing my new design; FIG. 2 is a right side view of the invention shown in FIG. 1; FIG. 3 is a left side view of the invention shown in FIG. 1; FIG. 4 is a back view of the invention shown in FIG. 1; FIG. 5 is a front view of the invention shown in FIG. 1; and, FIG. 6 is a top view of the invention shown in FIG. 1.

1 Claim, 3 Drawing Sheets

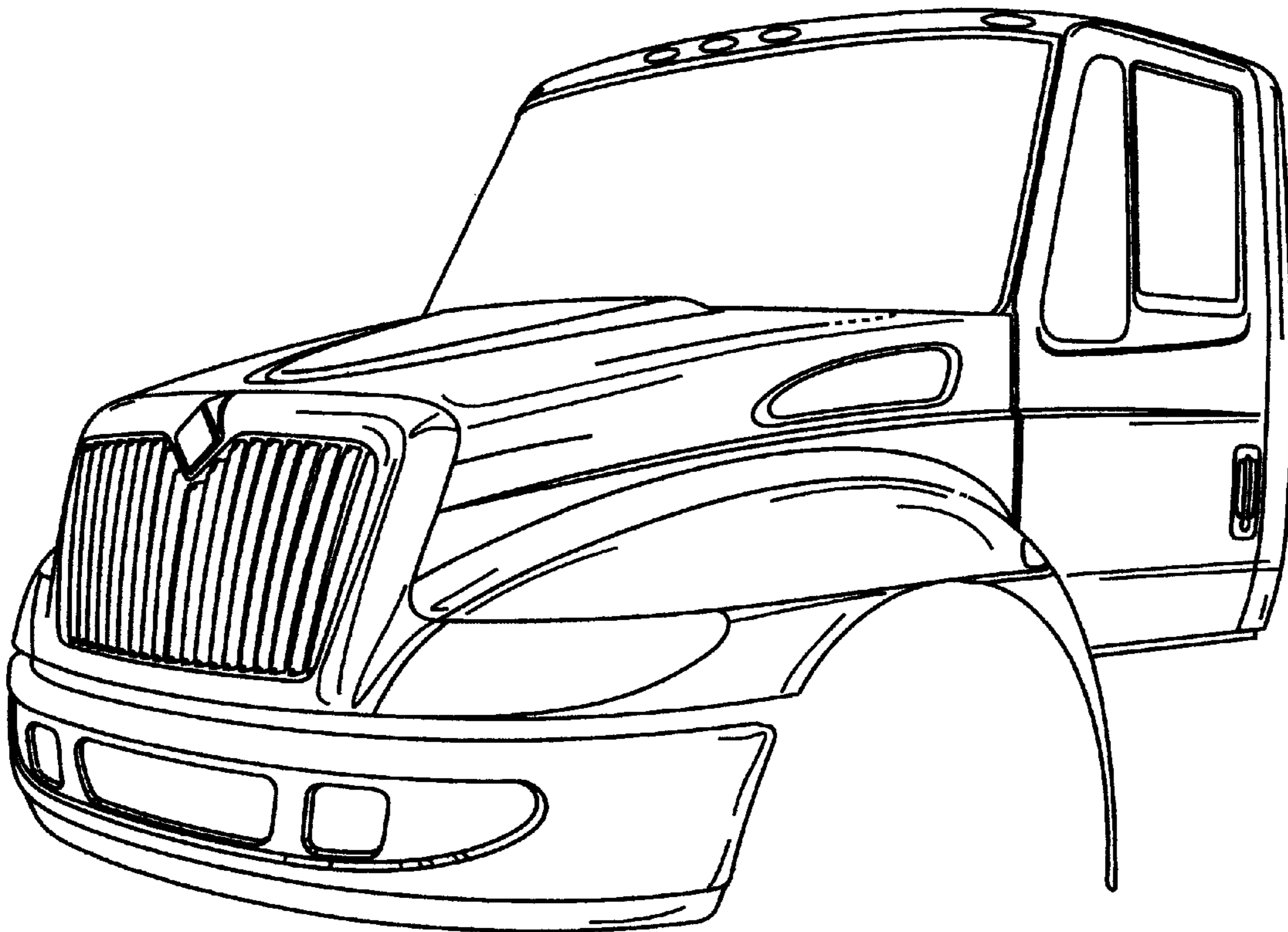


Fig. 1

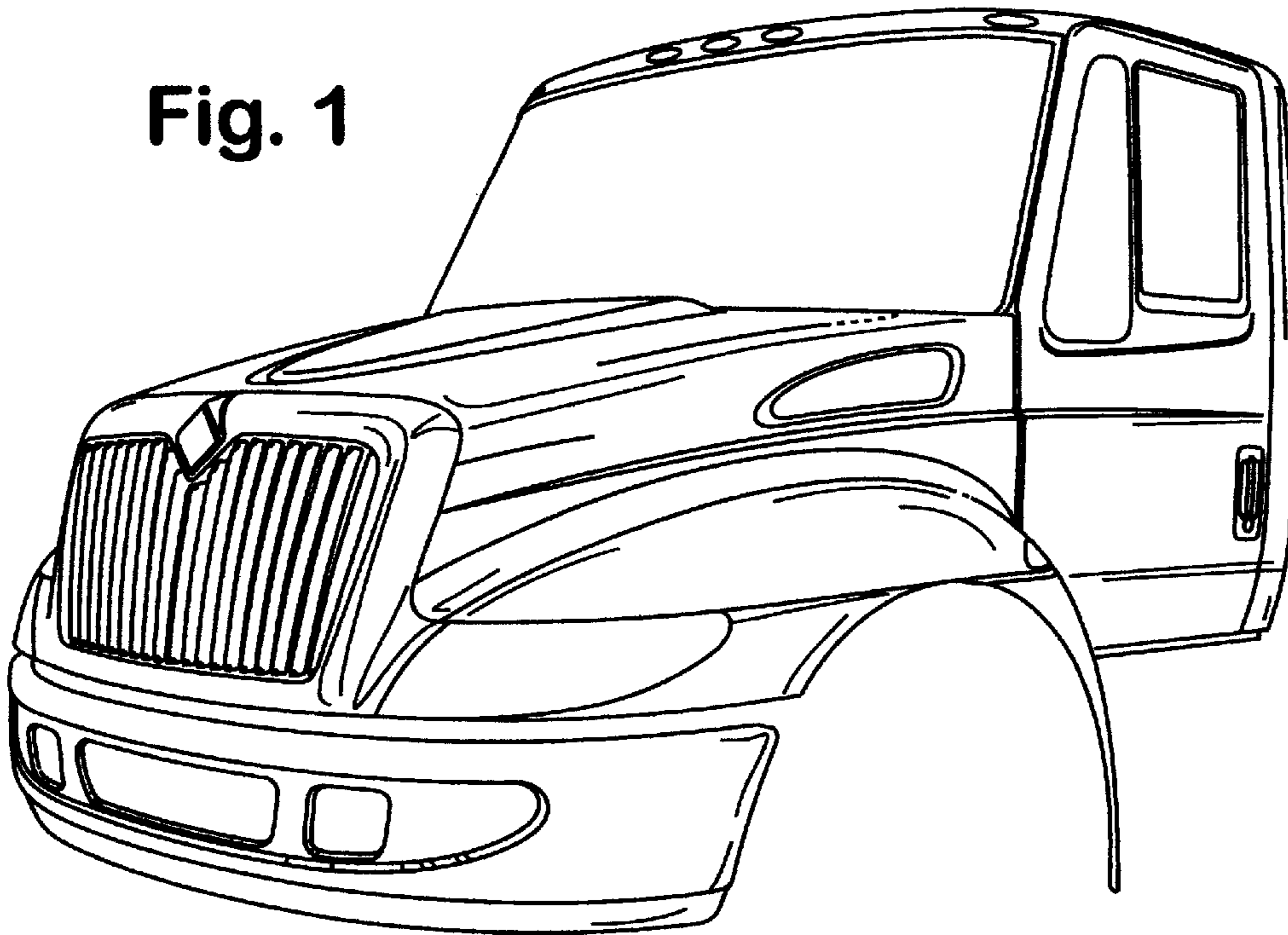
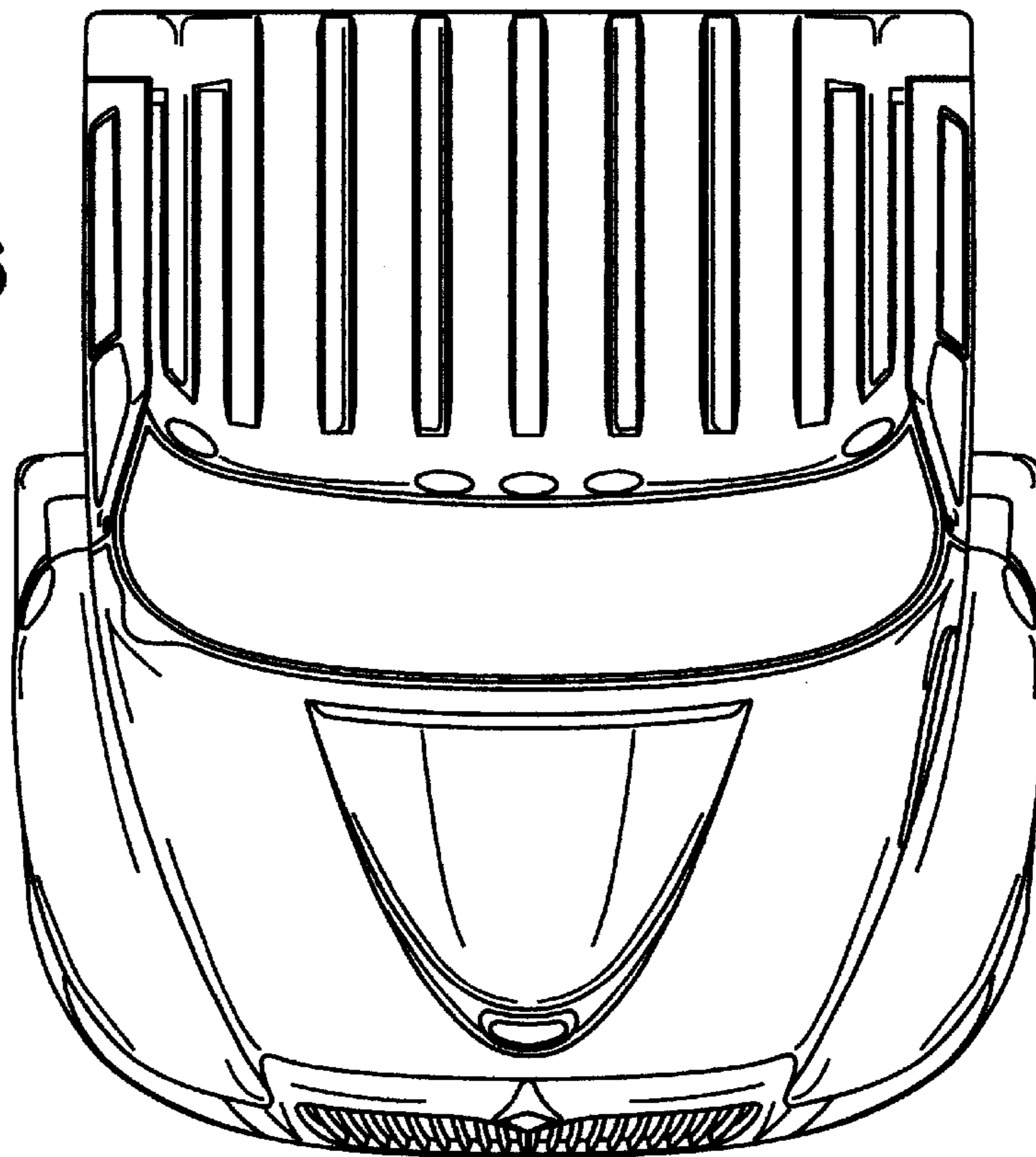


Fig. 6



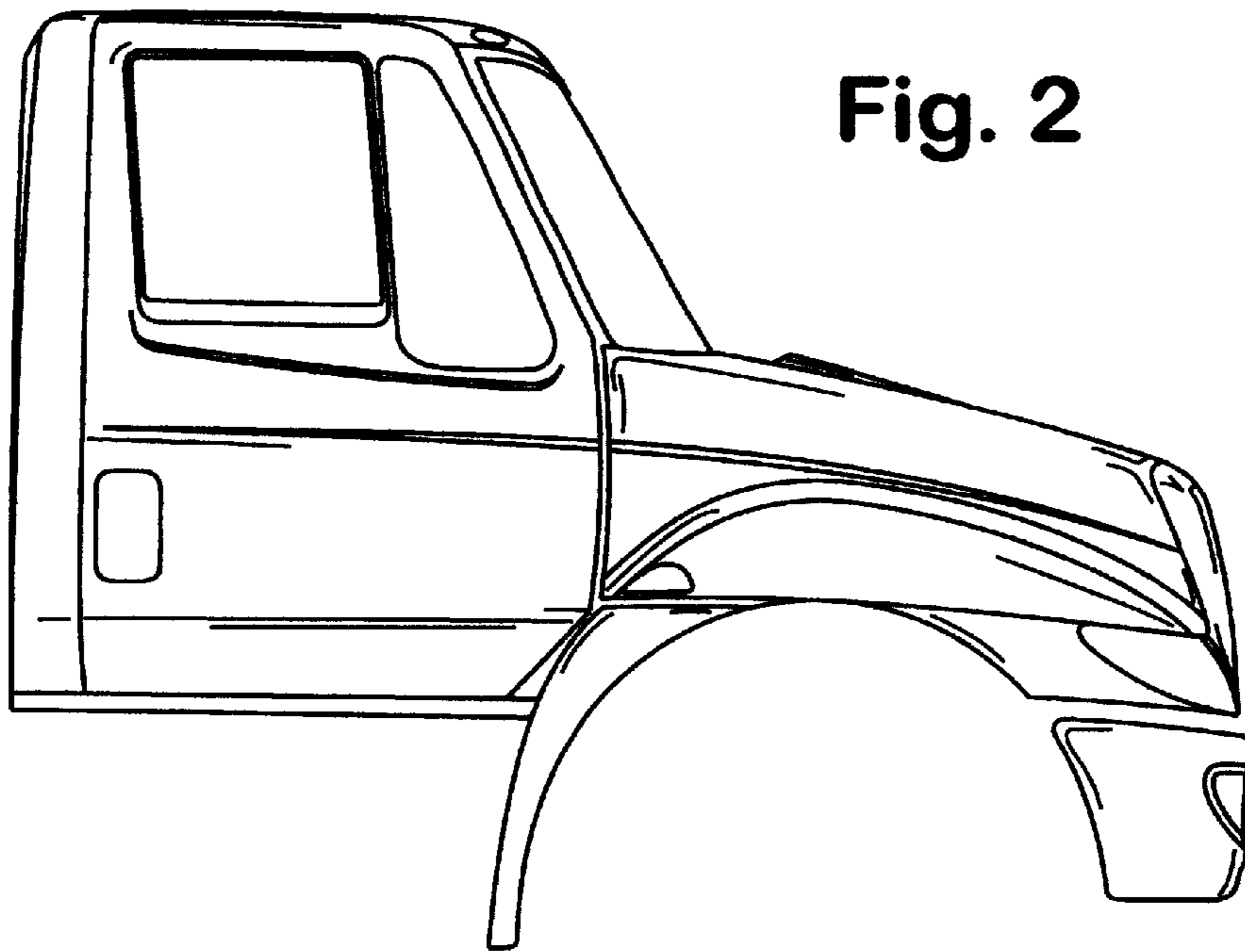


Fig. 2

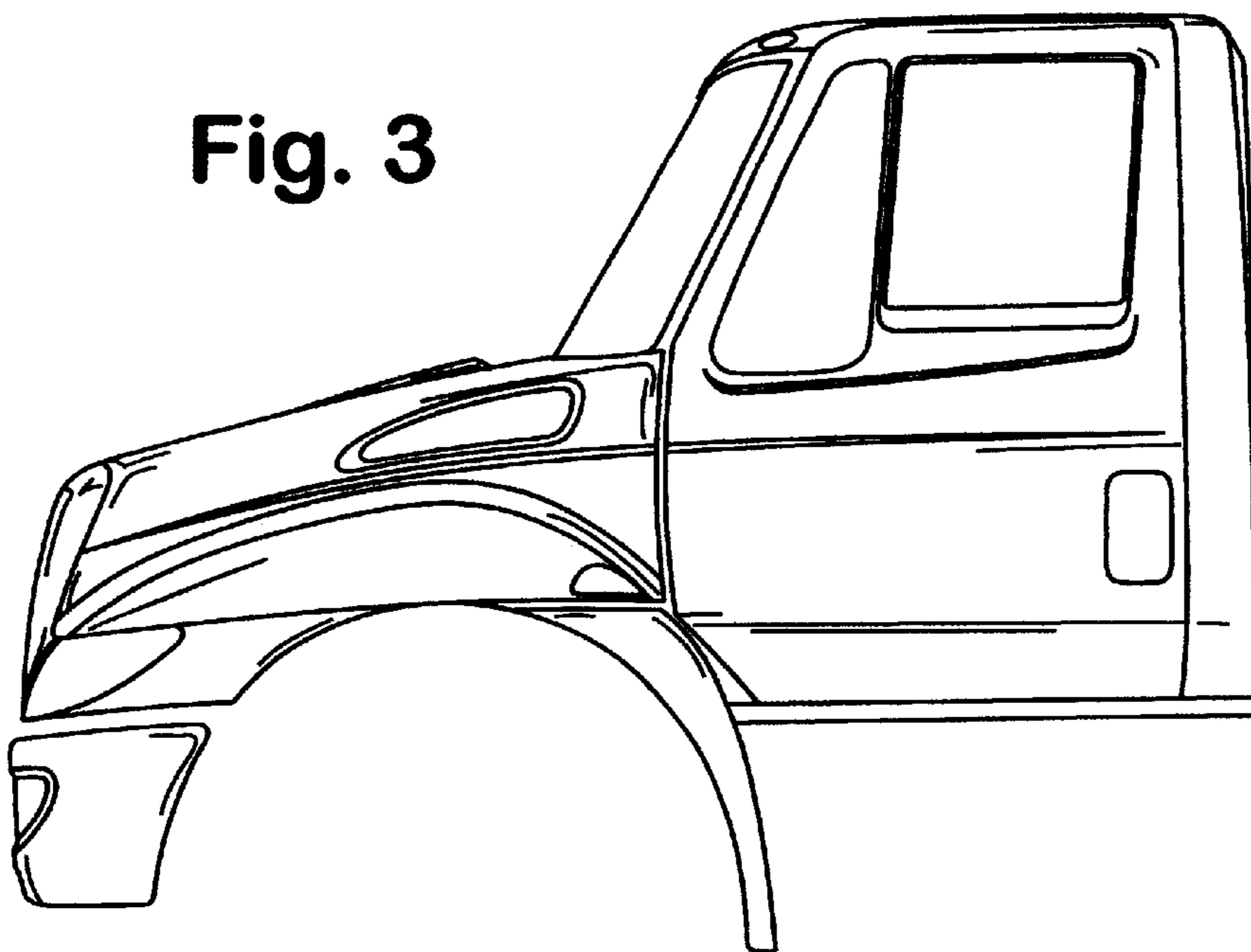


Fig. 3

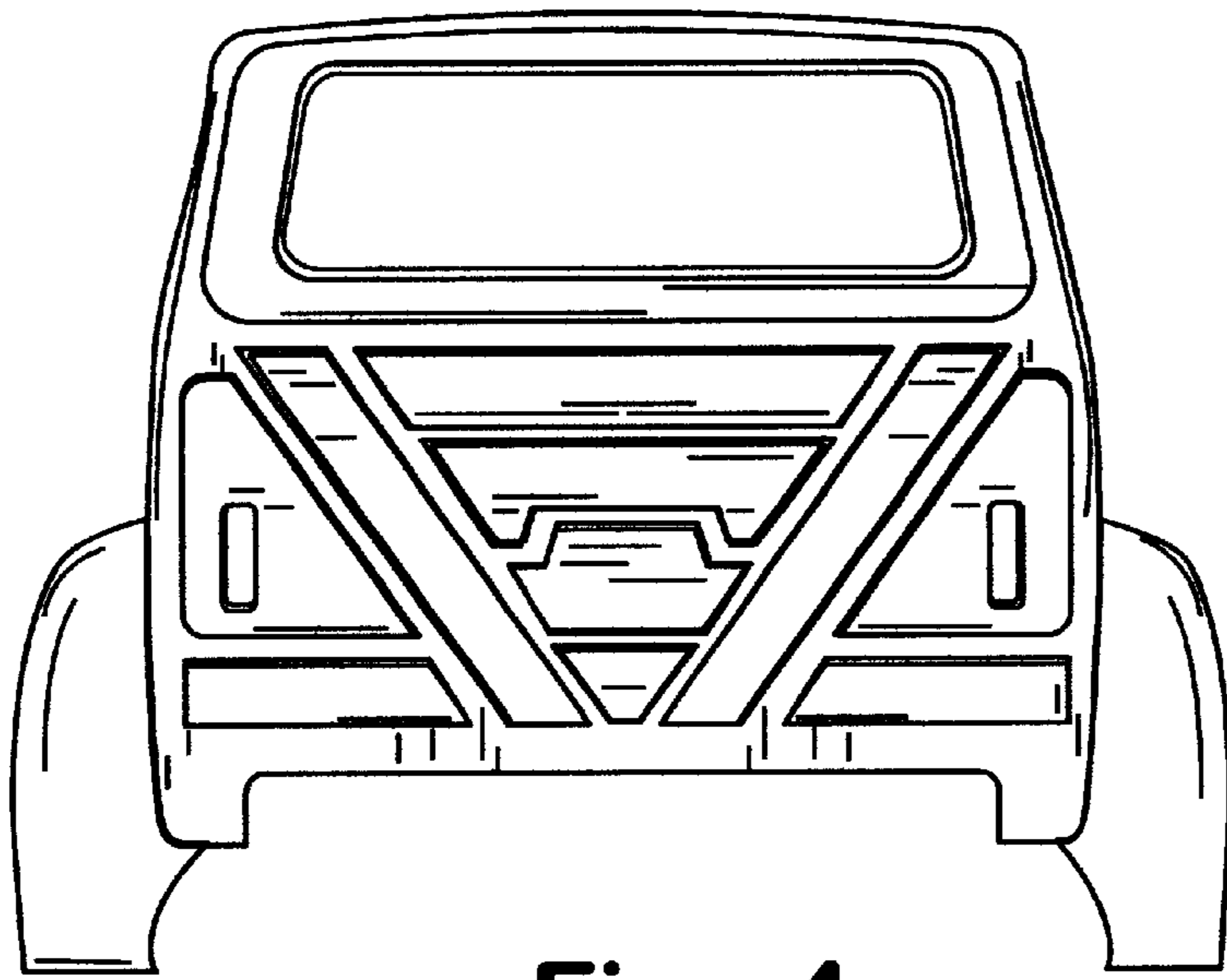


Fig. 4

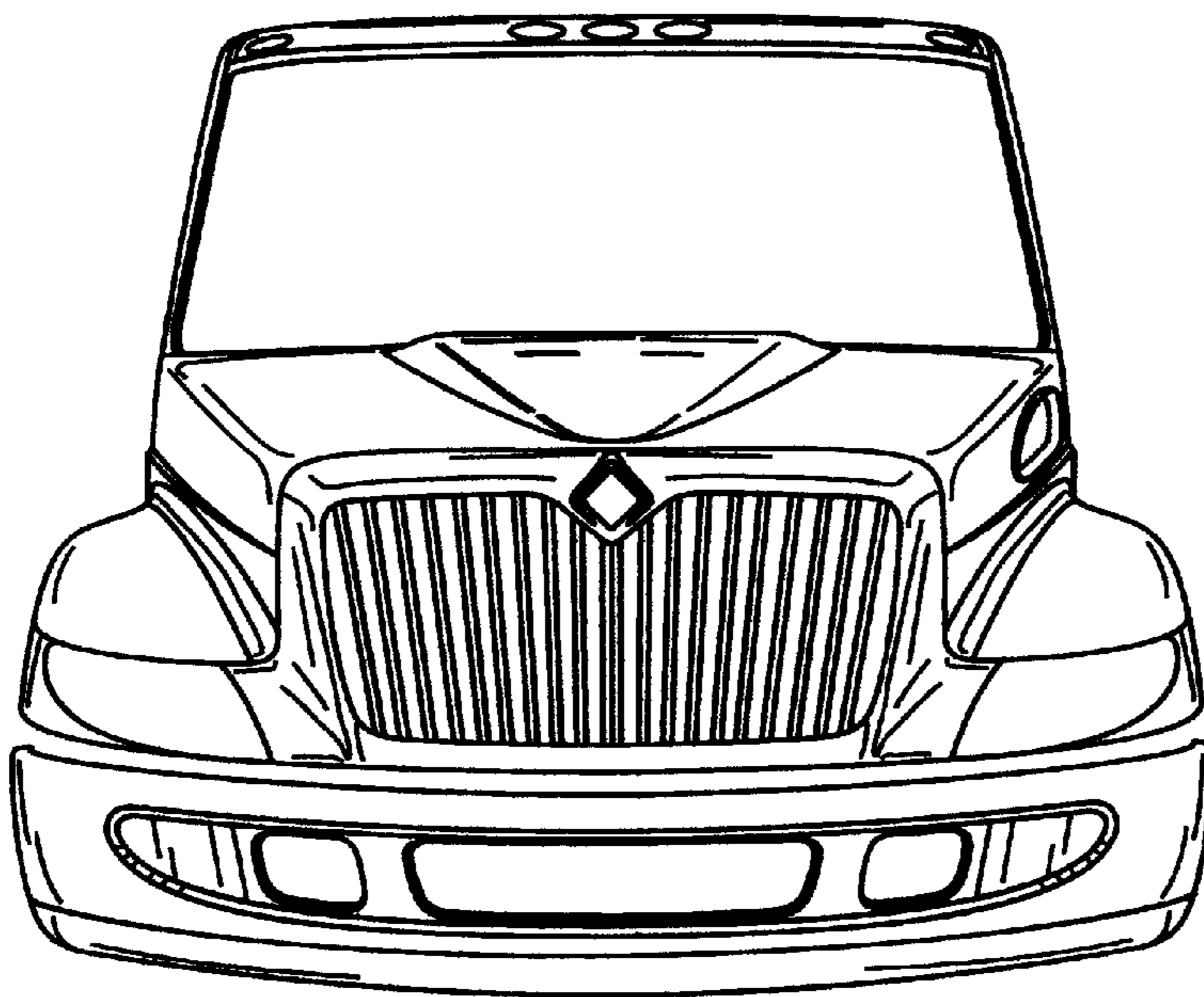


Fig. 5