



US00D445358S

(12) **United States Design Patent**  
**Simmons**

(10) **Patent No.:** **US D445,358 S**

(45) **Date of Patent:** **\*\* Jul. 24, 2001**

(54) **ROUND TREE POT**

(75) **Inventor:** **Aaron Simmons**, Miami Beach, FL  
(US)

(73) **Assignee:** **TreePot.com,Inc.**, Cross Lanes, WV  
(US)

(\*\*) **Term:** **14 Years**

(21) **Appl. No.:** **29/129,505**

(22) **Filed:** **Sep. 15, 2000**

(51) **LOC (7) Cl.** ..... **11-02**

(52) **U.S. Cl.** ..... **D11/152; D11/153**

(58) **Field of Search** ..... D11/143, 144,  
D11/145, 148, 152, 153, 154; 47/41.01,  
42, 44, 47, 65, 65.6, 66.1, 66.6, 67, 69,  
70, 71, 79, 80, 81; 206/423; 217/12 R;  
220/23.2, 23.4, 23.6, 23.8, 23.83, 23.86

(56) **References Cited**

**U.S. PATENT DOCUMENTS**

- D. 278,521 \* 4/1985 Baird et al. .... D11/153
- D. 383,417 \* 9/1997 Davis ..... D11/152
- D. 400,823 \* 11/1998 Bagshaw ..... D11/152
- D. 405,387 \* 2/1999 Masello ..... D11/152

- D. 423,405 \* 4/2000 Grosfillex ..... D11/152
- 4,708,256 \* 11/1987 Intardonato ..... 220/23.4
- 4,885,869 \* 12/1989 Kim ..... 47/79
- 4,962,613 \* 10/1990 Nalbandian ..... 47/79
- 5,294,012 \* 3/1994 Shott et al. .... 220/23.4
- 6,161,333 \* 12/2000 Poston ..... 47/86

\* cited by examiner

*Primary Examiner*—Doris V. Coles

*Assistant Examiner*—Mimosa De

(74) *Attorney, Agent, or Firm*—J. Sachelima; A. Bordas

(57) **CLAIM**

The ornamental design for round tree pot, as shown and described.

**DESCRIPTION**

FIG. 1 is a top plan view of a round tree pot showing my new design;

FIG. 2 is a front elevational view thereof;

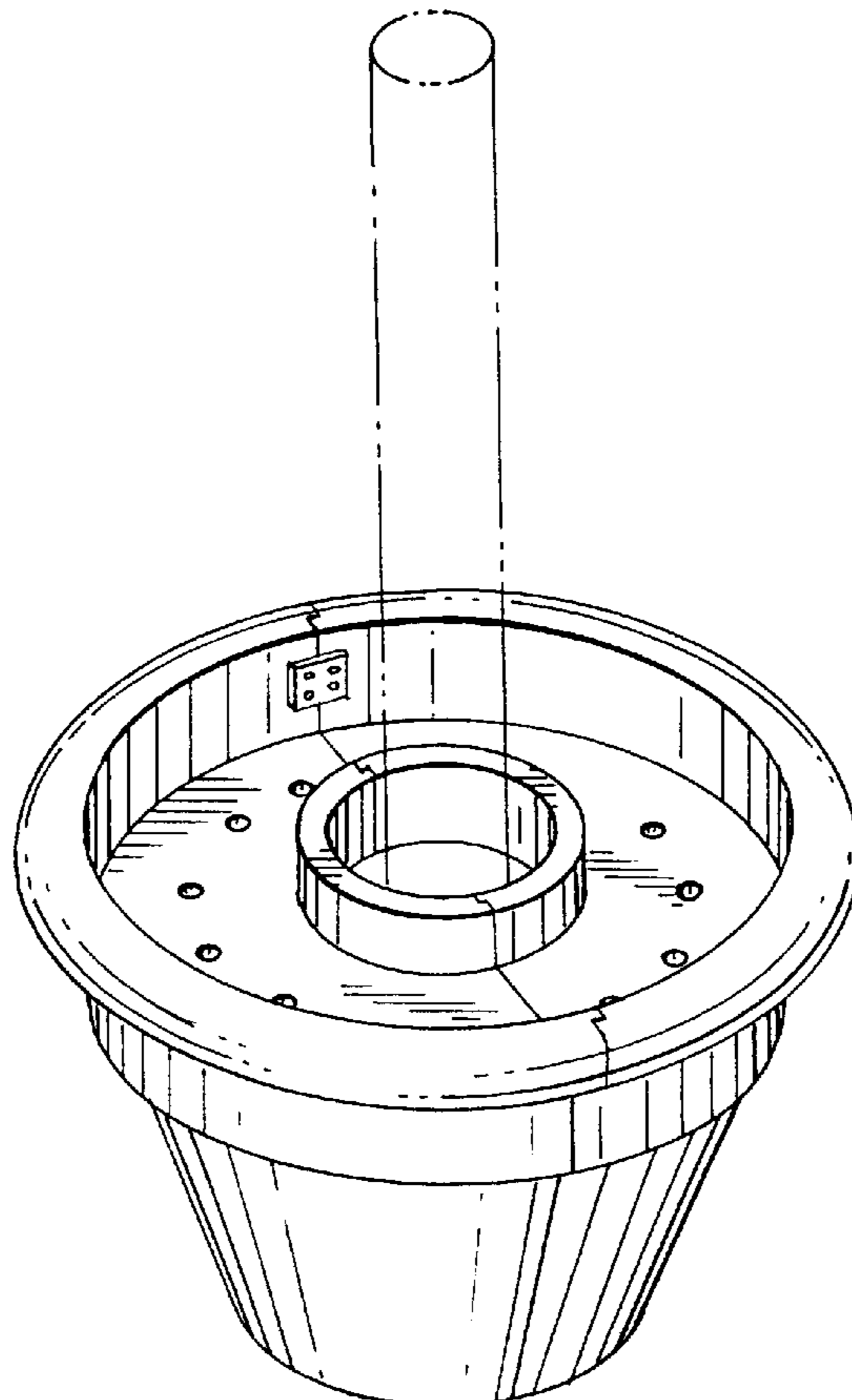
FIG. 3 is a bottom plan view thereof;

FIG. 4 is an exploded view thereof; and,

FIG. 5 is an isometric view thereof.

The broken line shown in FIGS. 4 and 5 is for illustrative purposes only and forms no part of the claimed design.

**1 Claim, 2 Drawing Sheets**



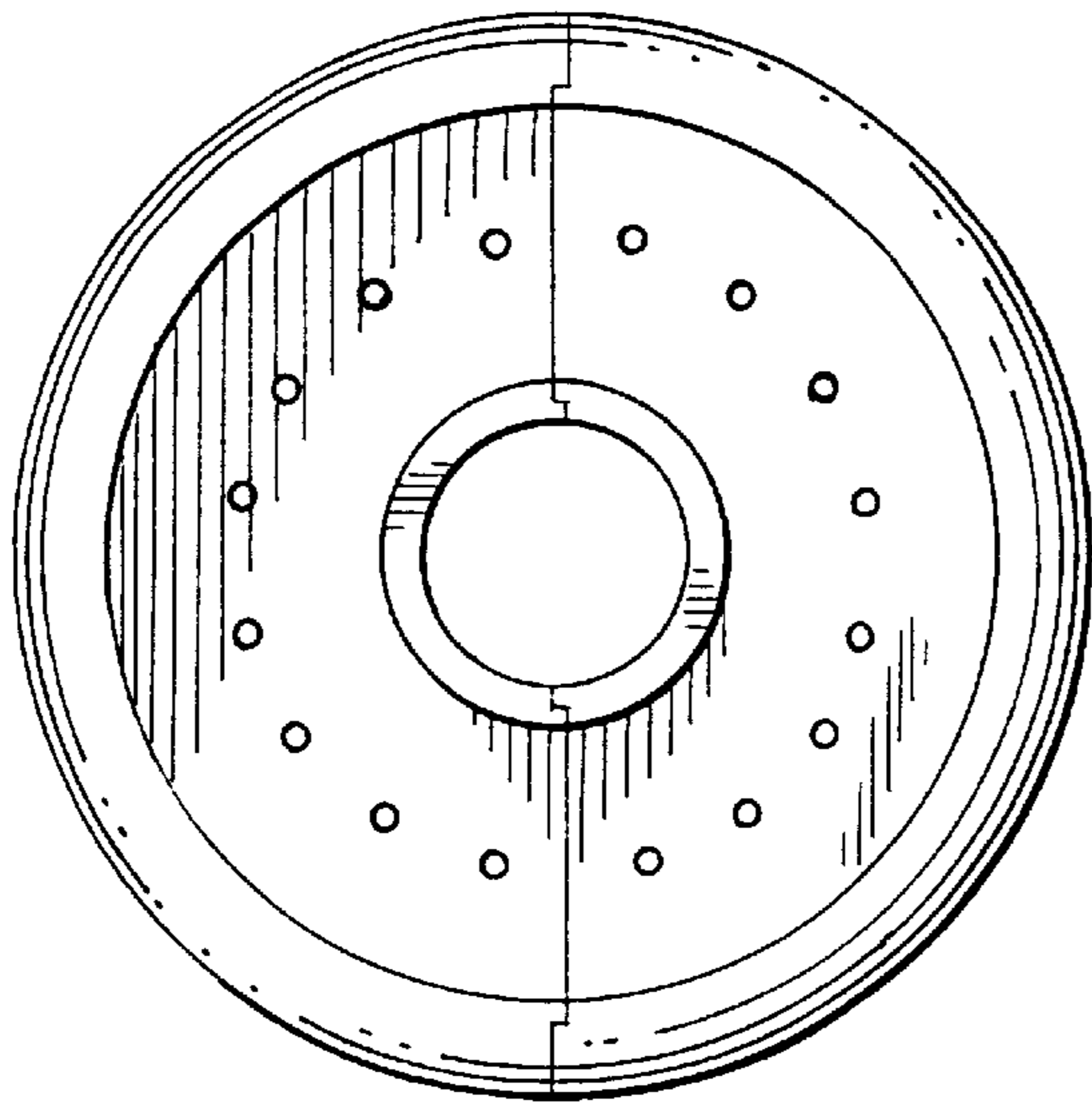


FIG. 1.

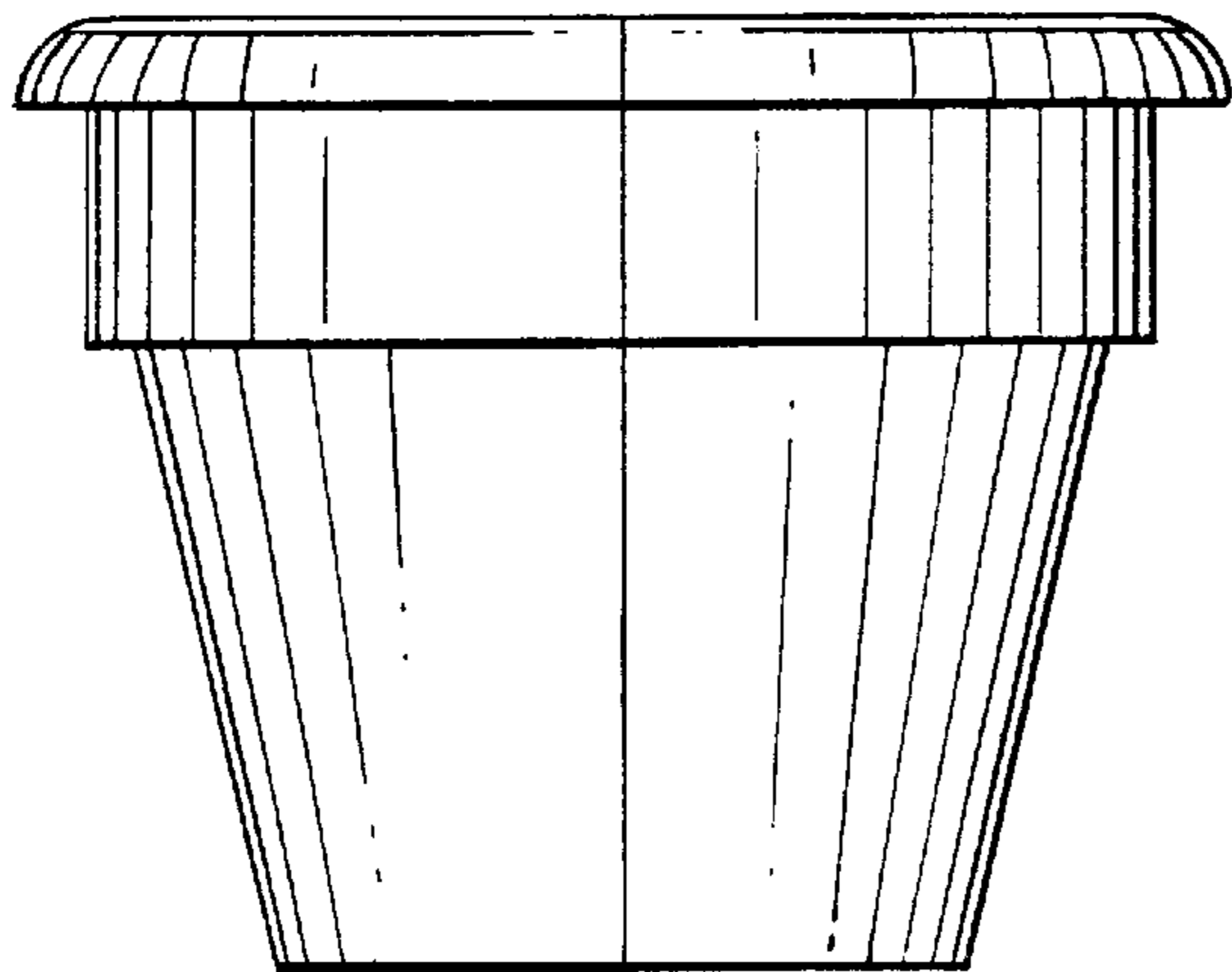


FIG. 2.

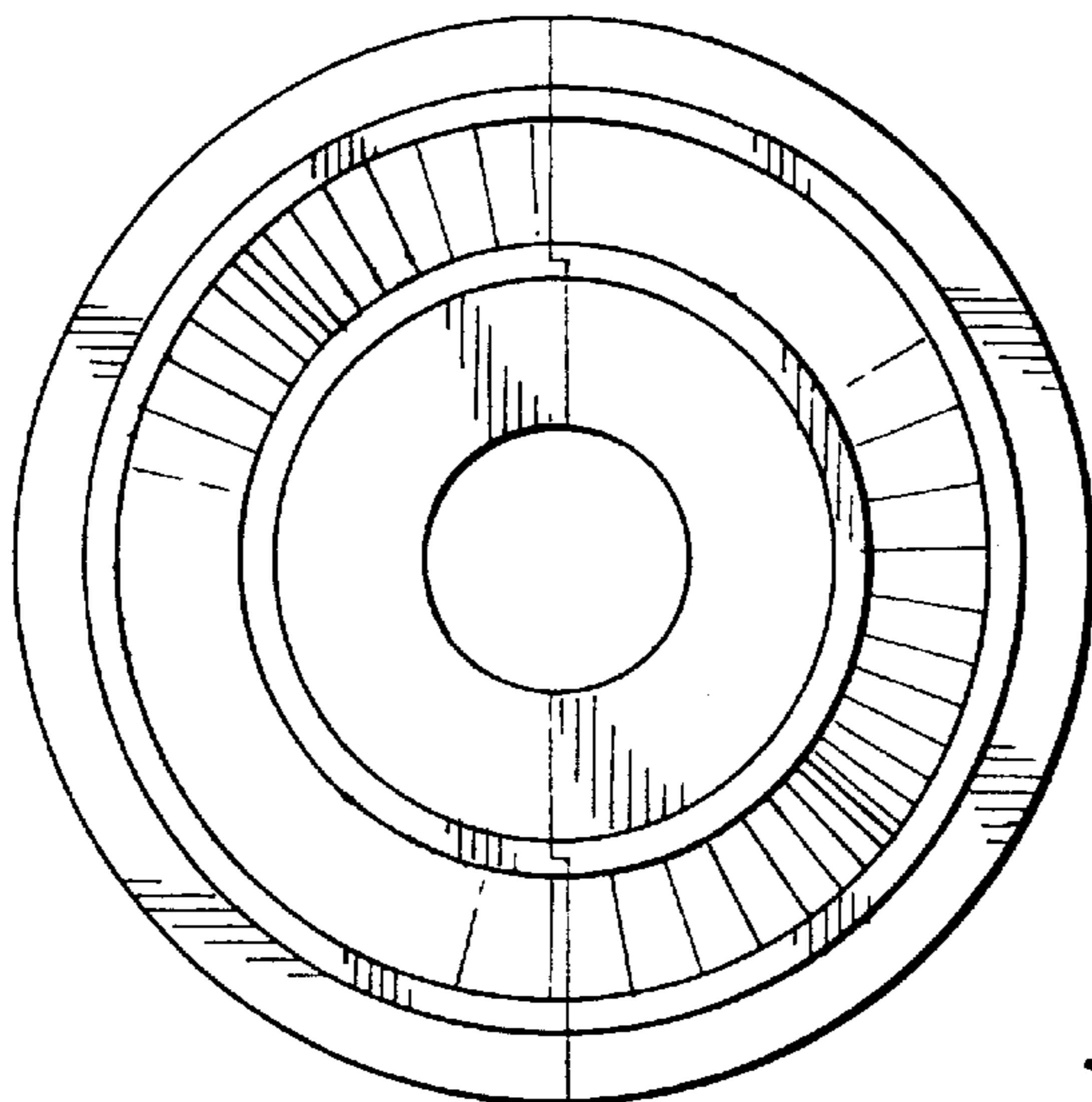


FIG. 3.

