



US00D445355S

(12) **United States Design Patent**
Lai

(10) **Patent No.:** **US D445,355 S**

(45) **Date of Patent:** **** *Jul. 24, 2001**

(54) **JEWELRY SETTING**

6,003,335 12/1999 Gurevich et al. .
6,026,660 2/2000 Lai .

(75) Inventor: **Danny S. Lai**, New York, NY (US)

* cited by examiner

(73) Assignee: **Gramercy Jewelry Manufacturing Corp.**

Primary Examiner—Ralf Seifert
(74) *Attorney, Agent, or Firm*—BakerBotts LLP

(*) Notice: This patent is subject to a terminal disclaimer.

(57) **CLAIM**

(**) Term: **14 Years**

The ornamental design of a jewelry setting, as shown and described.

(21) Appl. No.: **29/131,843**

DESCRIPTION

(22) Filed: **Oct. 27, 2000**

(51) **LOC (7) Cl.** **11-01**

(52) **U.S. Cl.** **D11/91**

(58) **Field of Search** D11/1-2, 7-8,
D11/26-27, 30-34, 36, 48, 79, 89-92, 40;
63/26, 27, 28, 29.1, 32

FIG. 1 is a top view of a first embodiment of a jewelry setting according to the present invention provided in an earring;

FIG. 2 is a side view of the jewelry setting of FIG. 1;

FIG. 3 is a perspective view of the jewelry setting of FIG. 1;

FIG. 4 is a side view of a second embodiment of the jewelry setting according to the present invention;

FIG. 5 is a top view of the jewelry setting of FIG. 4;

FIG. 6 is a perspective view of the jewelry setting of FIG. 4;

FIG. 7 is a perspective view of the jewelry setting of FIG. 4 provided on a chain;

FIG. 8 is a top view of a third embodiment of the jewelry setting according to the present invention provided in a ring;

FIG. 9 is a side view of the jewelry setting of FIG. 8 provided in the ring; and,

FIG. 10 is a prospective view of the jewelry setting of FIG. 8 provided in the ring.

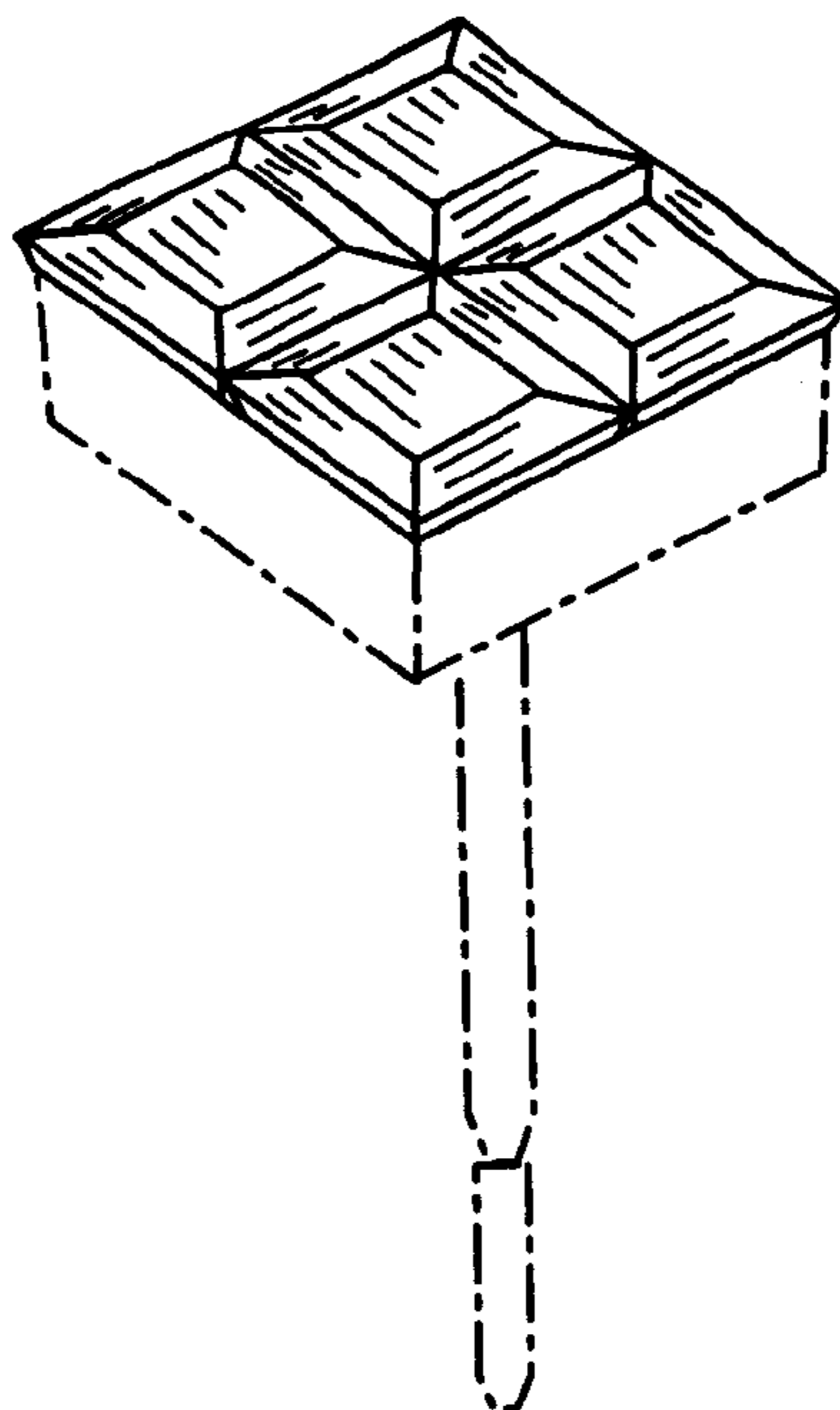
The broken lines are provide for illustrative purposes only and form no part of the claimed design.

(56) **References Cited**

U.S. PATENT DOCUMENTS

D. 391,516	3/1998	Kothari .	
D. 398,875	9/1998	Kothari .	
D. 403,611	1/2000	Lai .	
D. 411,134	6/2000	Lai .	
D. 425,817	5/2000	Gurevich et al. .	
D. 427,934	6/2000	Lai .	
D. 432,448	10/2000	Lai .	
2,907,187	10/1959	Karp et al. .	
4,813,246	* 3/1989	Richards	63/26
5,123,265	6/1992	Ramot .	
5,377,506	1/1995	Tranzer .	
5,520,017	5/1996	Vivat .	
5,848,539	12/1998	Ouzounian .	

1 Claim, 3 Drawing Sheets



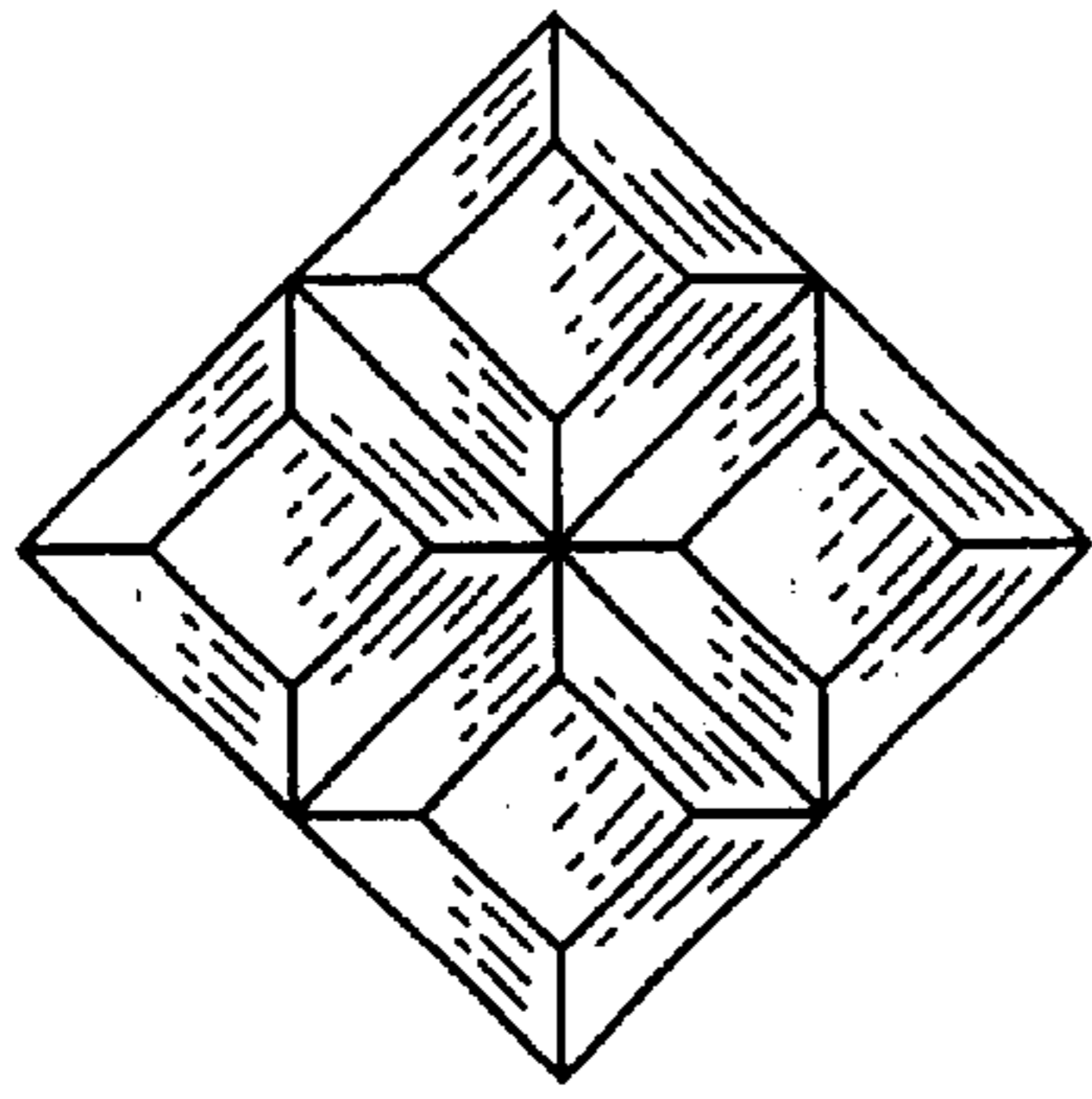


FIG. 1

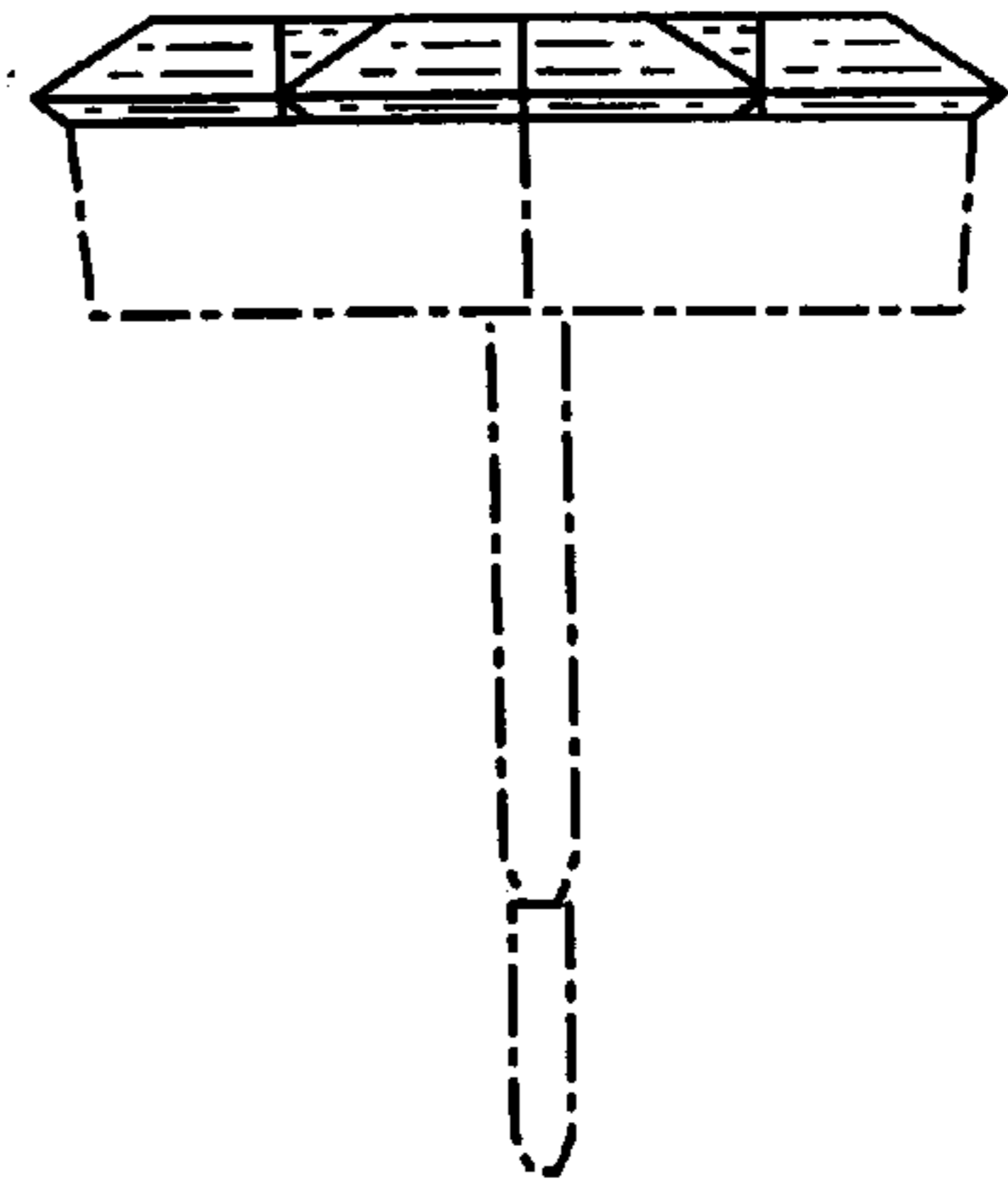


FIG. 2

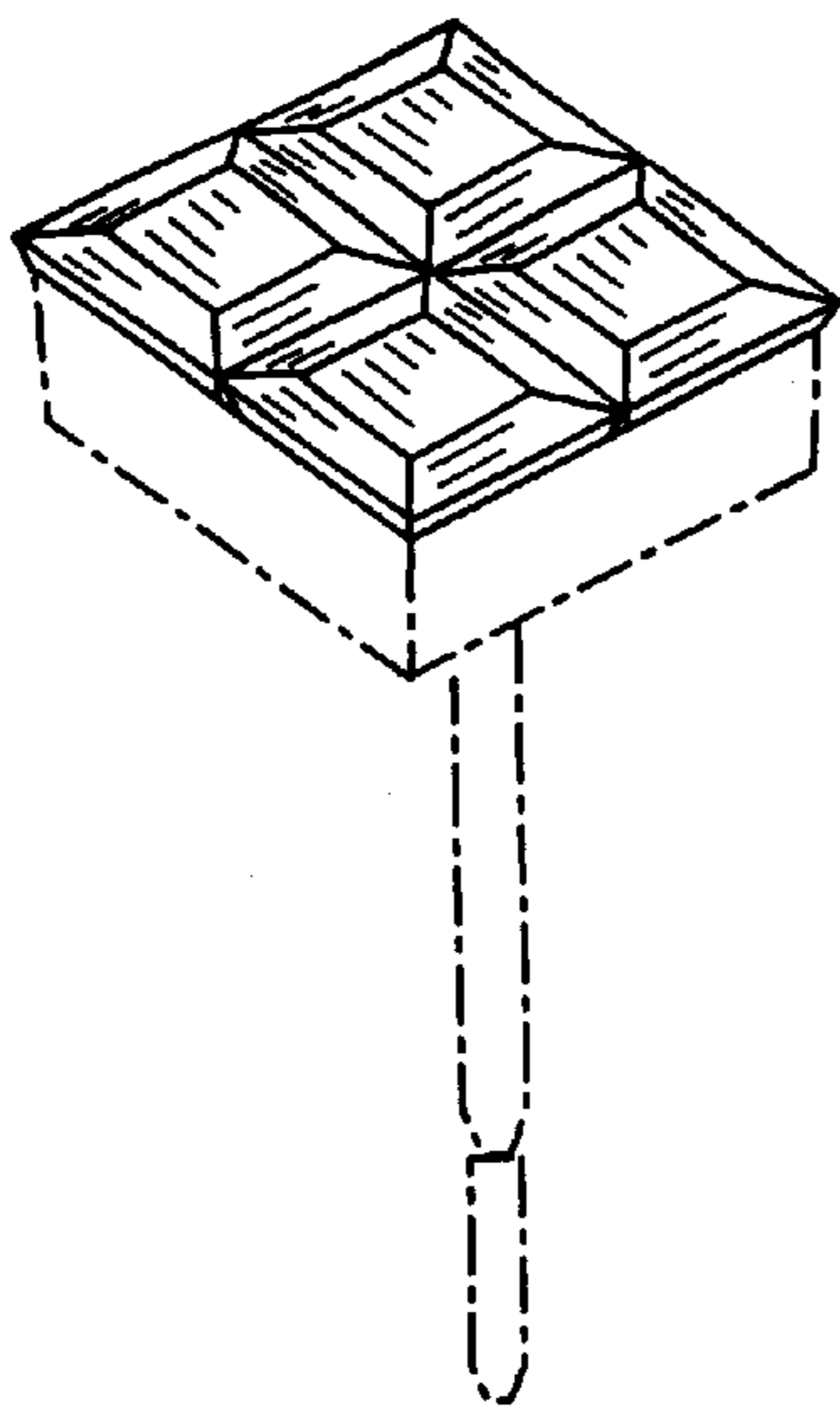


FIG. 3

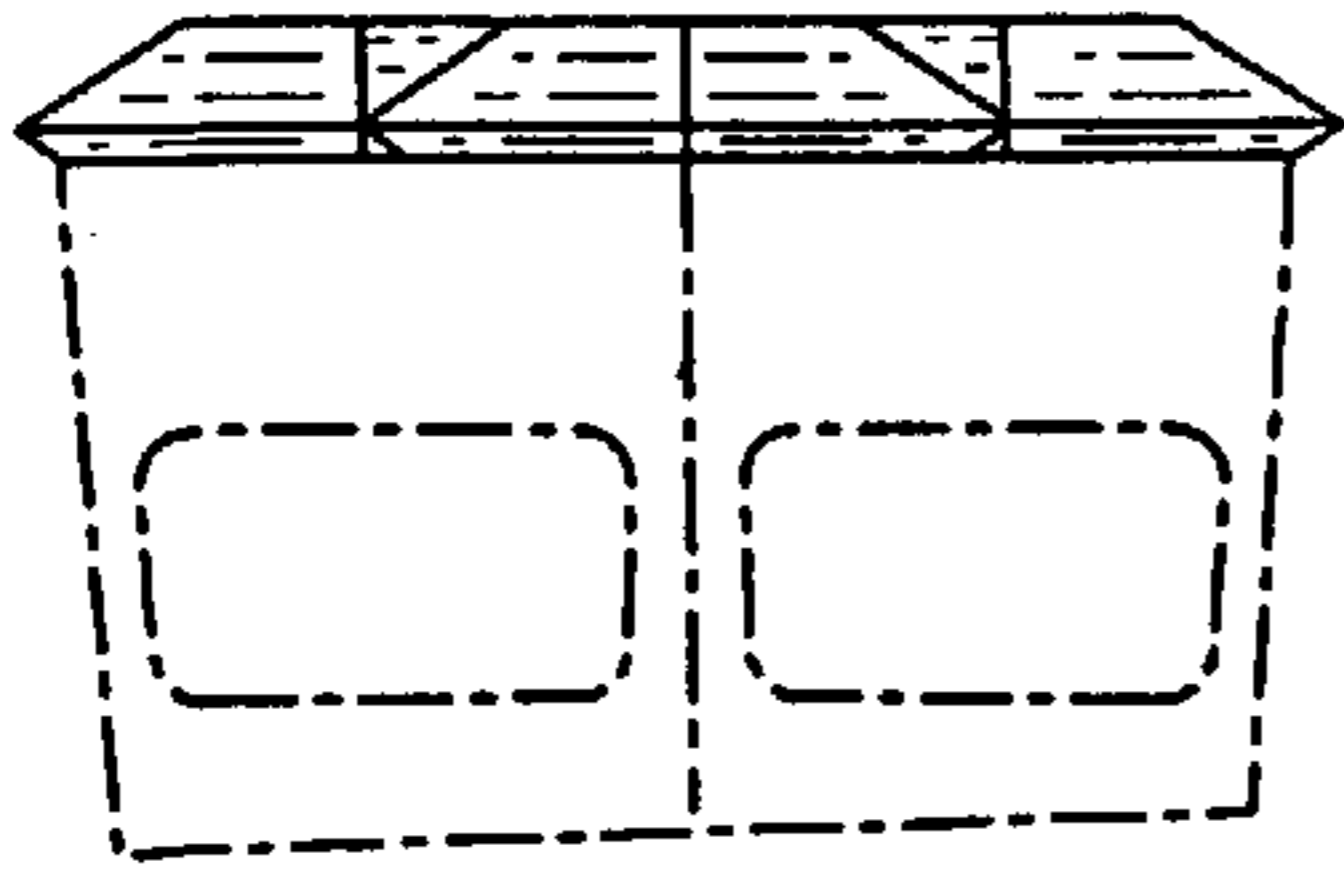


FIG. 4

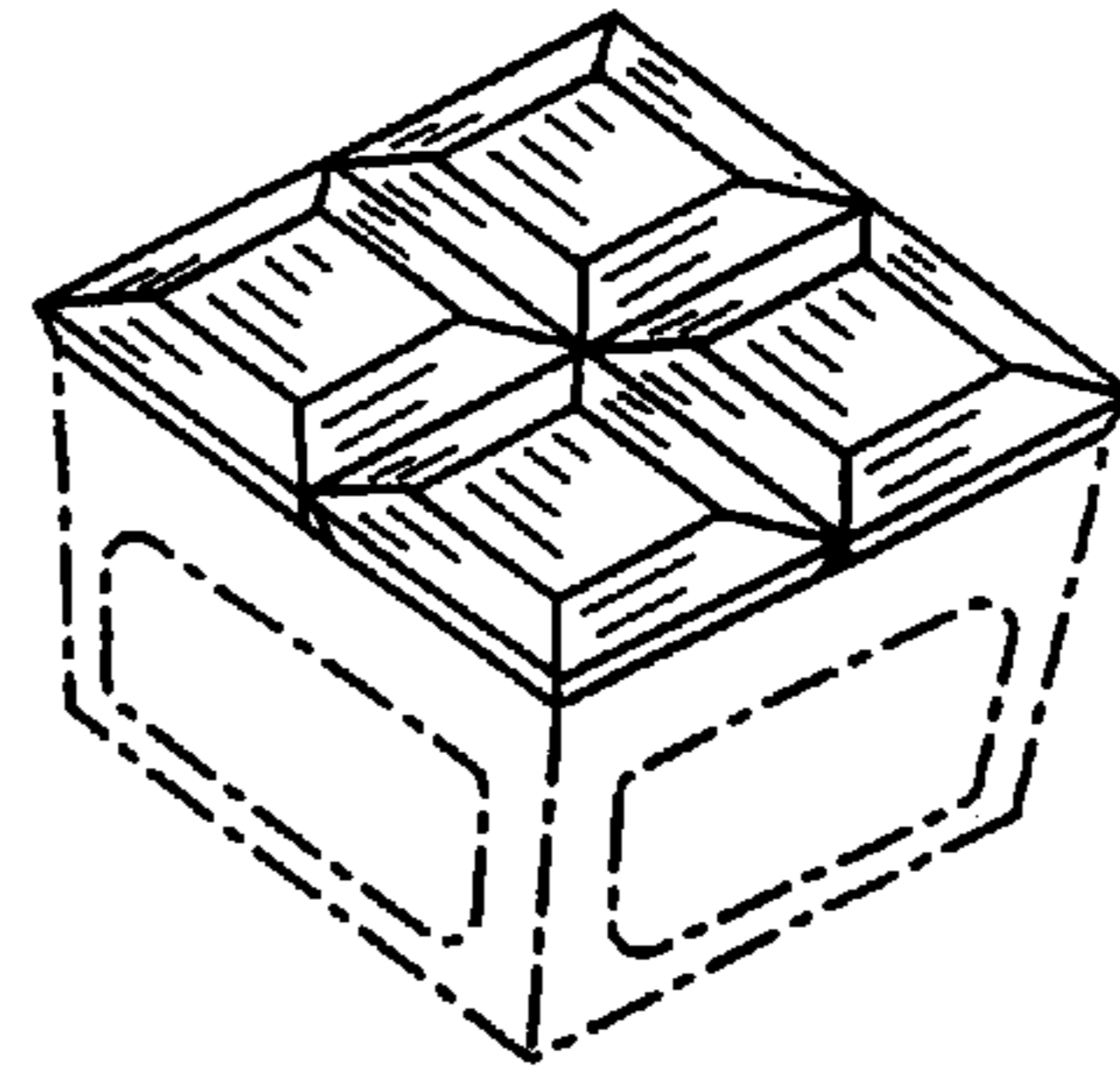


FIG. 6

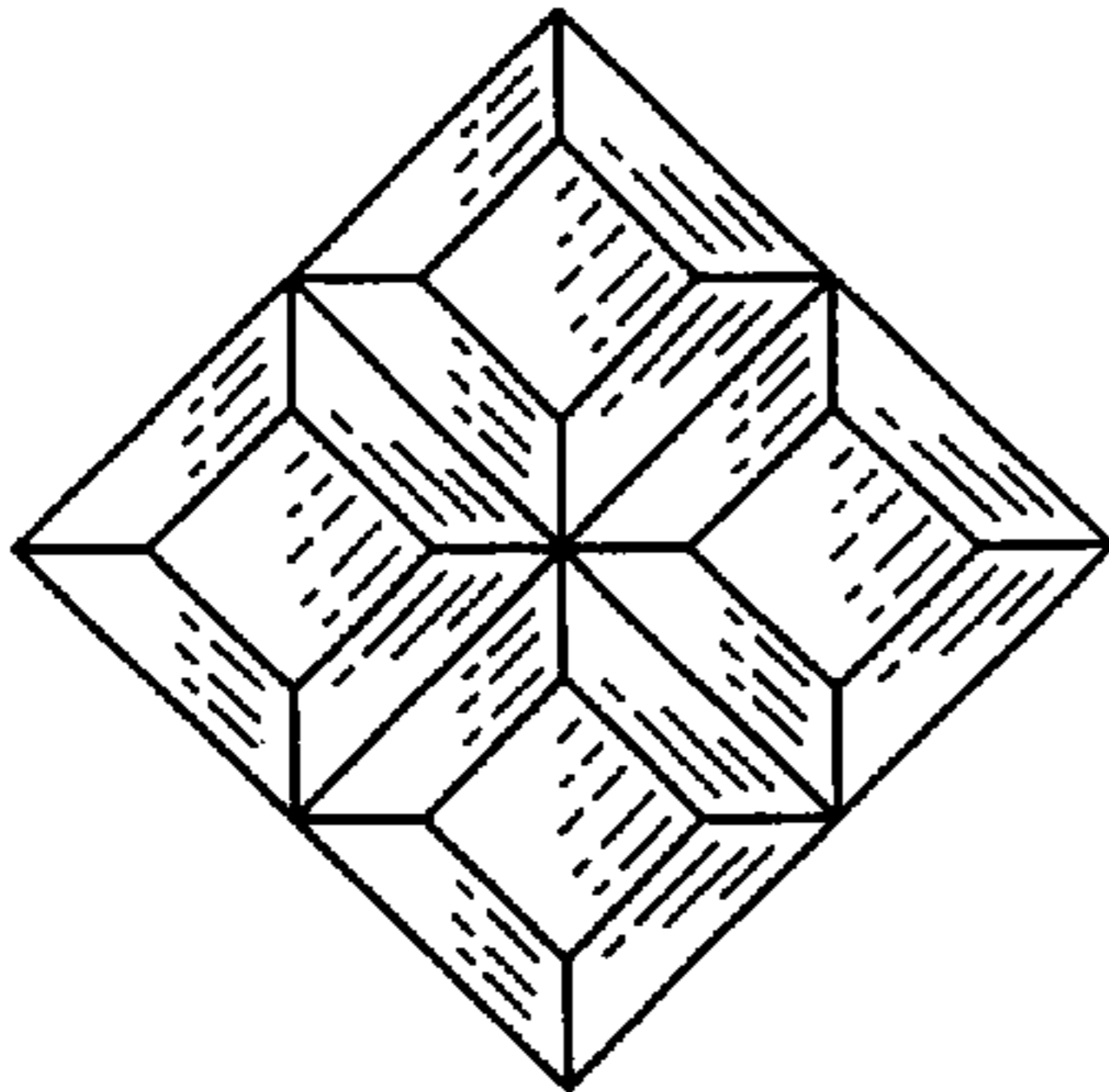


FIG. 5

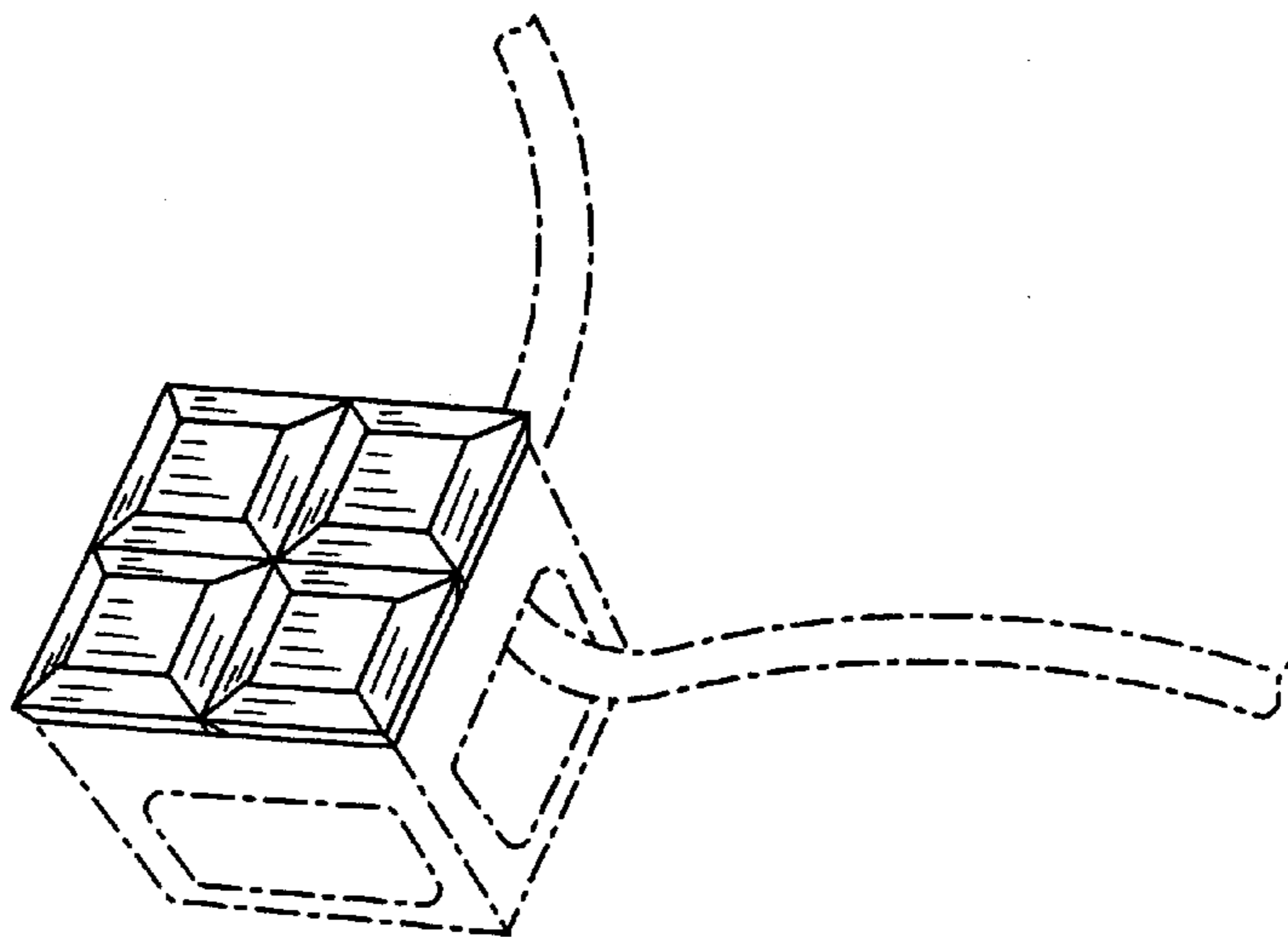


FIG. 7

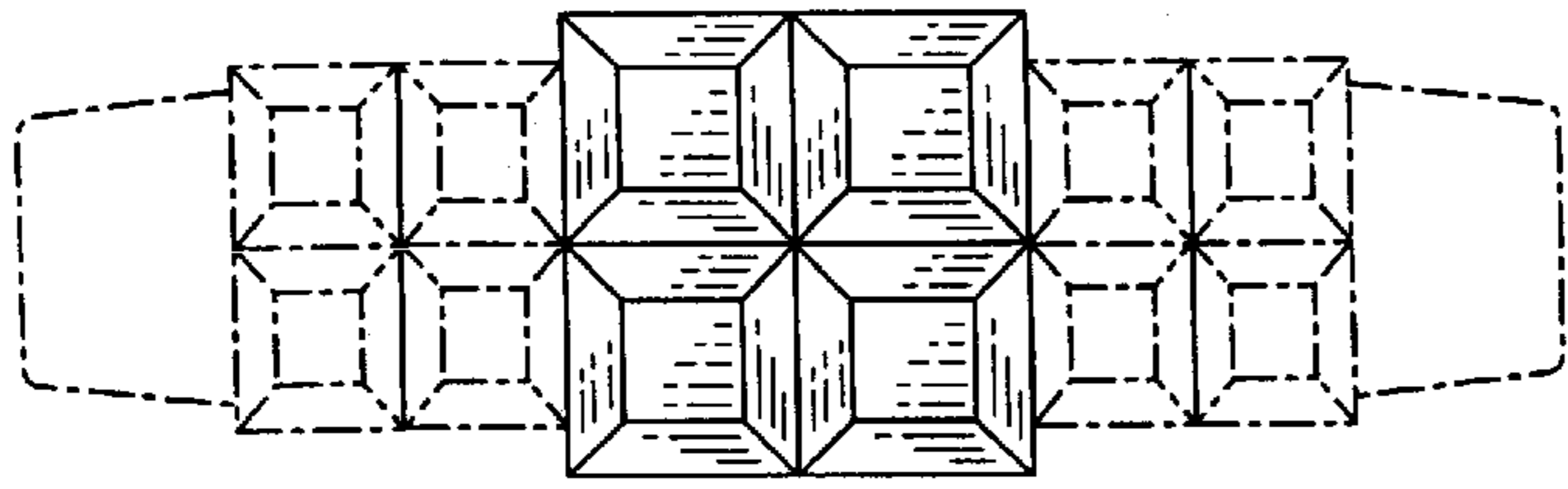


FIG. 8

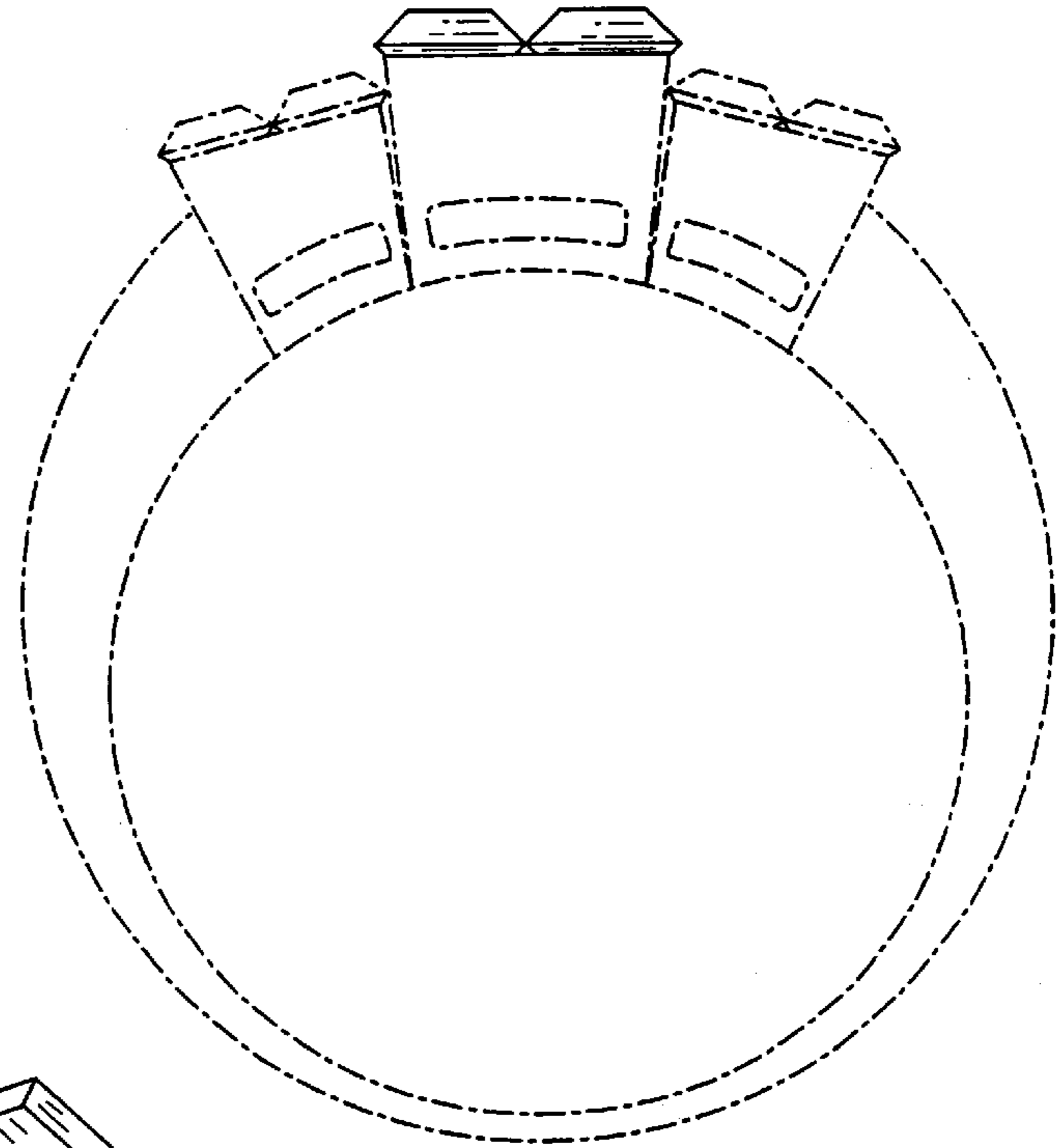


FIG. 9

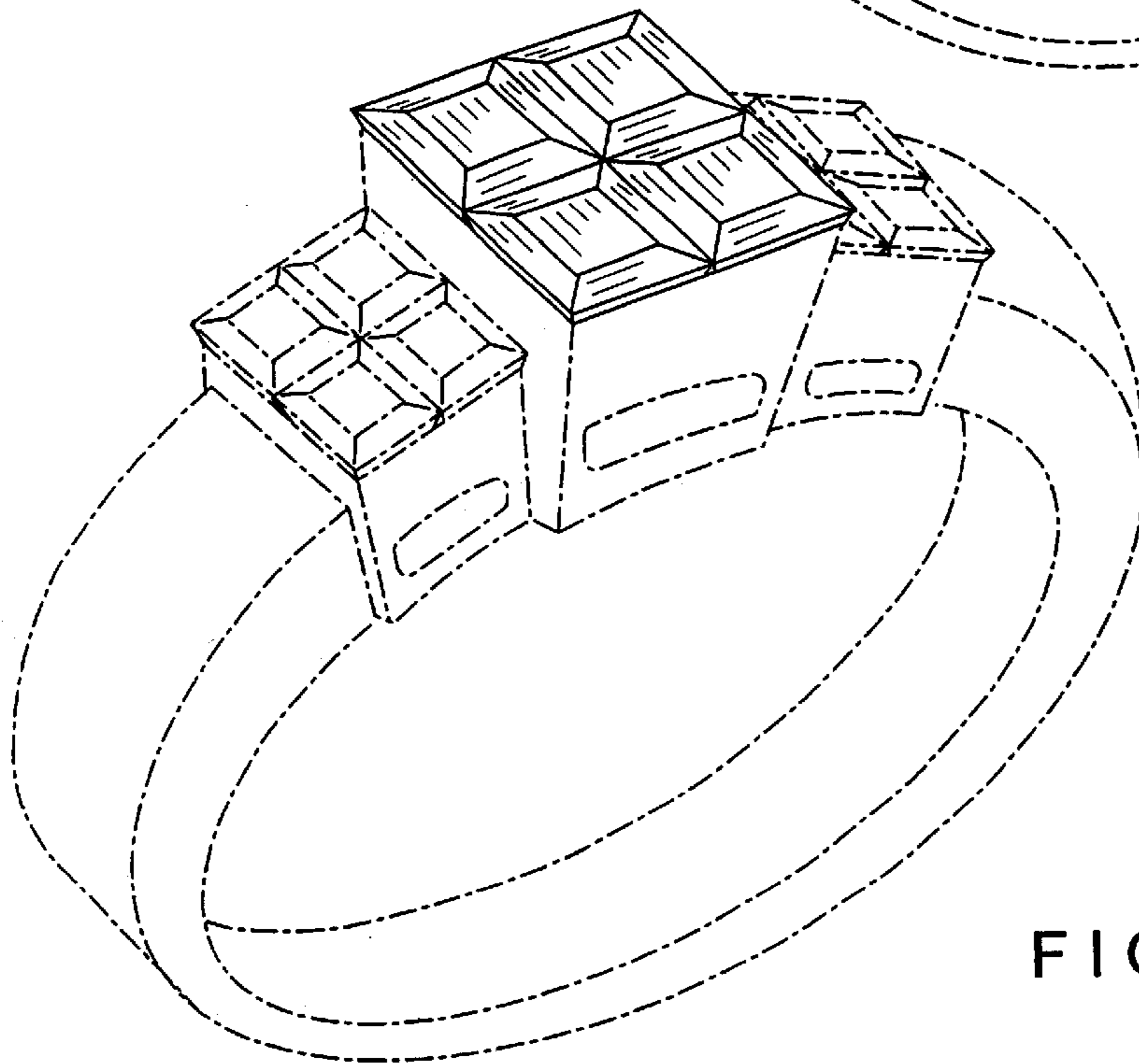


FIG. 10