



US00D445342S

(12) **United States Design Patent**
Clerc

(10) **Patent No.:** **US D445,342 S**

(45) **Date of Patent:** **** Jul. 24, 2001**

(54) **WATCH CASING**

(75) **Inventor:** **Gérald Clerc, Paris (FR)**

(73) **Assignee:** **Clerc S.A., Geneva (CH)**

(**) **Term:** **14 Years**

(21) **Appl. No.:** **29/127,267**

(22) **Filed:** **Aug. 2, 2000**

(30) **Foreign Application Priority Data**

Feb. 4, 2000 (XH) DM/050910

(51) **LOC (7) Cl.** **10-02**

(52) **U.S. Cl.** **D10/30; D10/39**

(58) **Field of Search** D10/1-40, 122-132;
368/280-282, 276-277, 28-30, 285, 239-242,
82-84, 41-44

(56) **References Cited**

U.S. PATENT DOCUMENTS

- D. 240,605 * 7/1976 Sticker D10/38
- D. 329,612 * 9/1992 Hysek D10/39

- D. 356,961 * 4/1995 Giardiello D10/39
- D. 359,697 * 6/1995 Dumas D10/39
- D. 378,498 * 3/1997 Wettstein D10/39
- D. 386,421 * 11/1997 Kennedy D10/30
- D. 390,788 * 2/1998 Parmigiani D10/30
- 3,503,203 * 3/1970 Mutter et al. 368/21

* cited by examiner

Primary Examiner—Nelson C. Holtje

(74) *Attorney, Agent, or Firm*—Bugnion S.A.; John Moetteli

(57) **CLAIM**

The ornamental design for a watch casing, as shown.

DESCRIPTION

FIG. 1 is a top plan of a watch casing, my new design;
FIG. 2 is a bottom plan view thereof;
FIG. 3 is a front side view thereof;
FIG. 4 is a rear side view thereof;
FIG. 5 is a right side view thereof; and,
FIG. 6 is a left side view thereof.

1 Claim, 1 Drawing Sheet

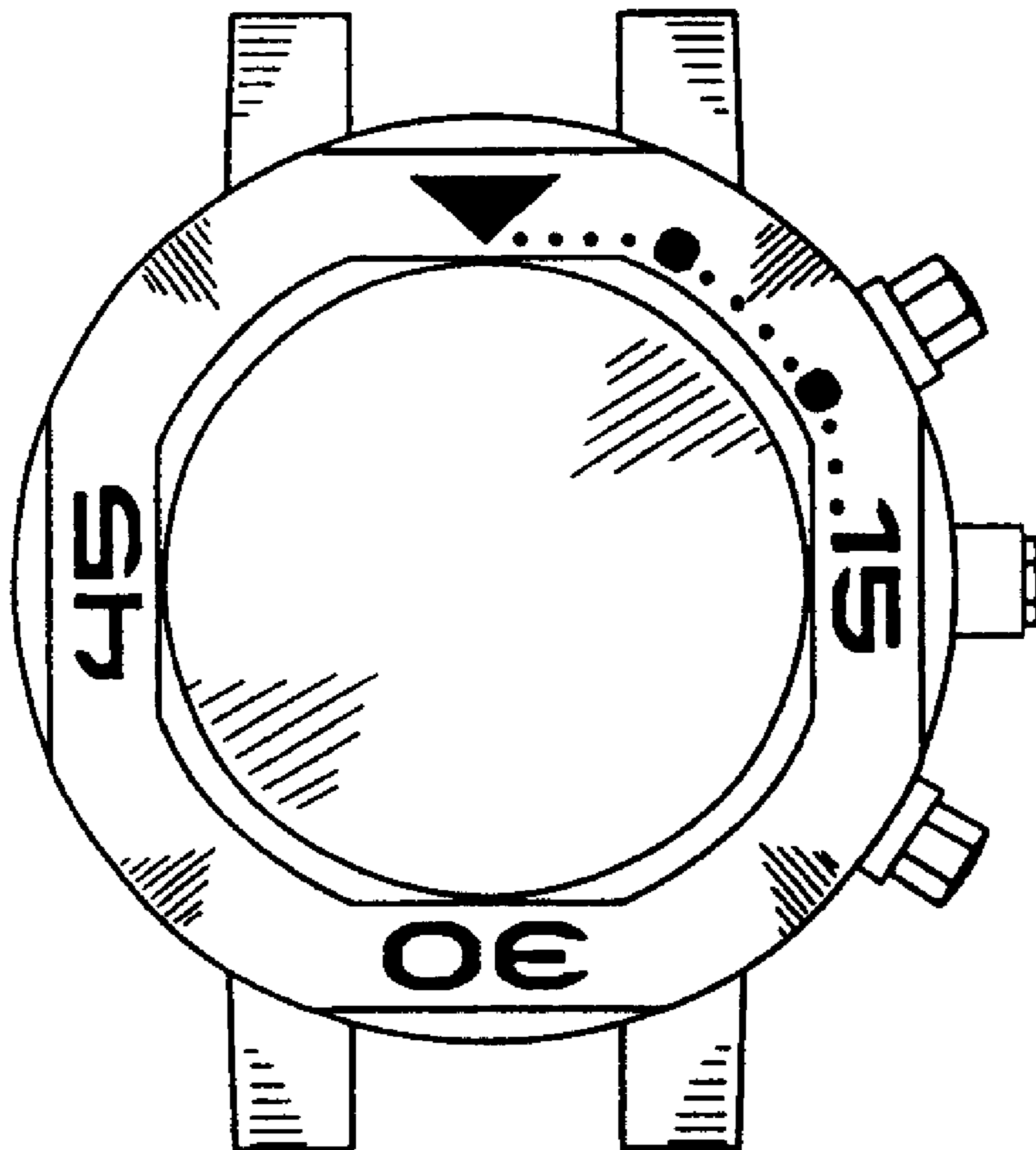


Fig.1

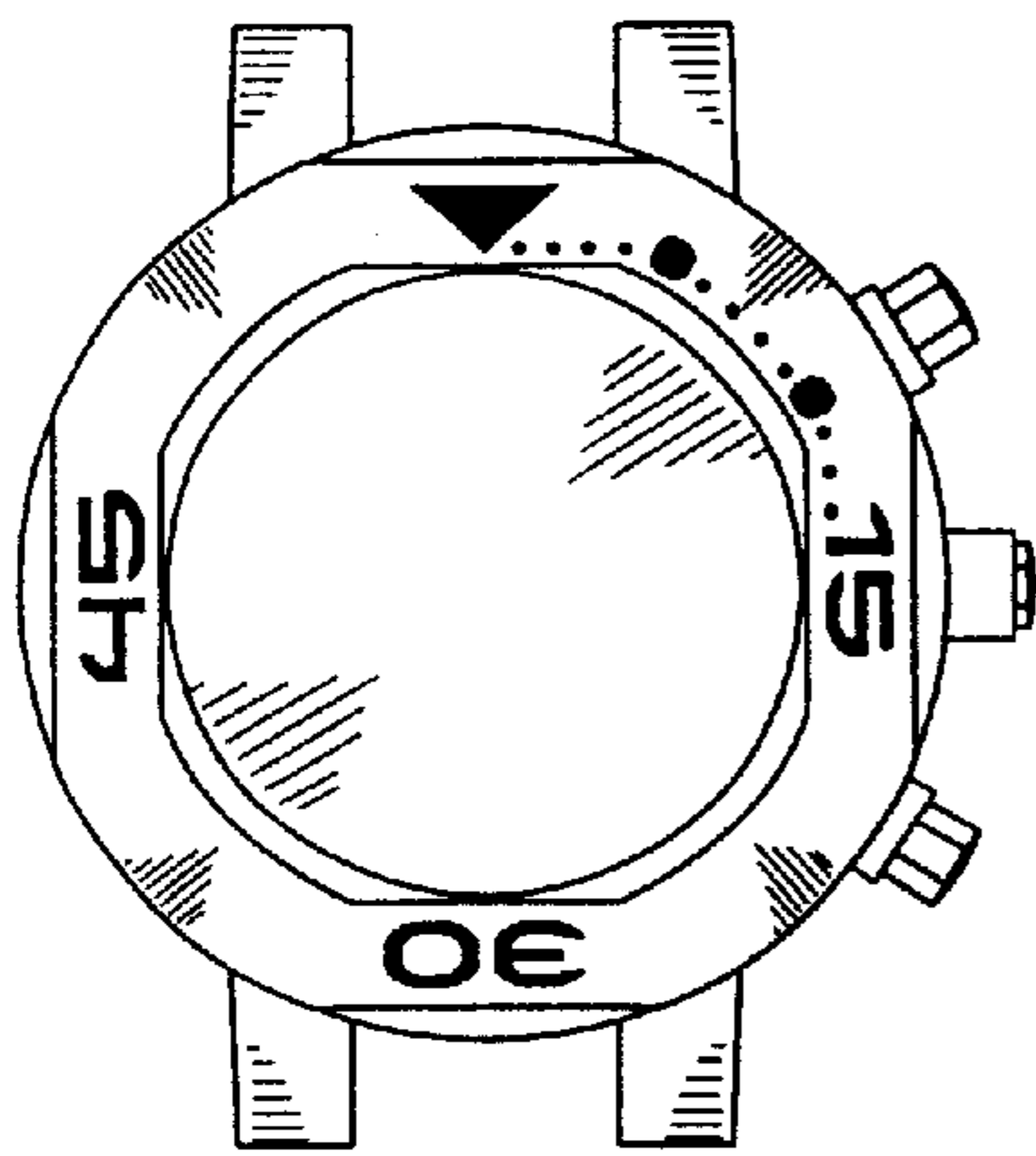


Fig.3

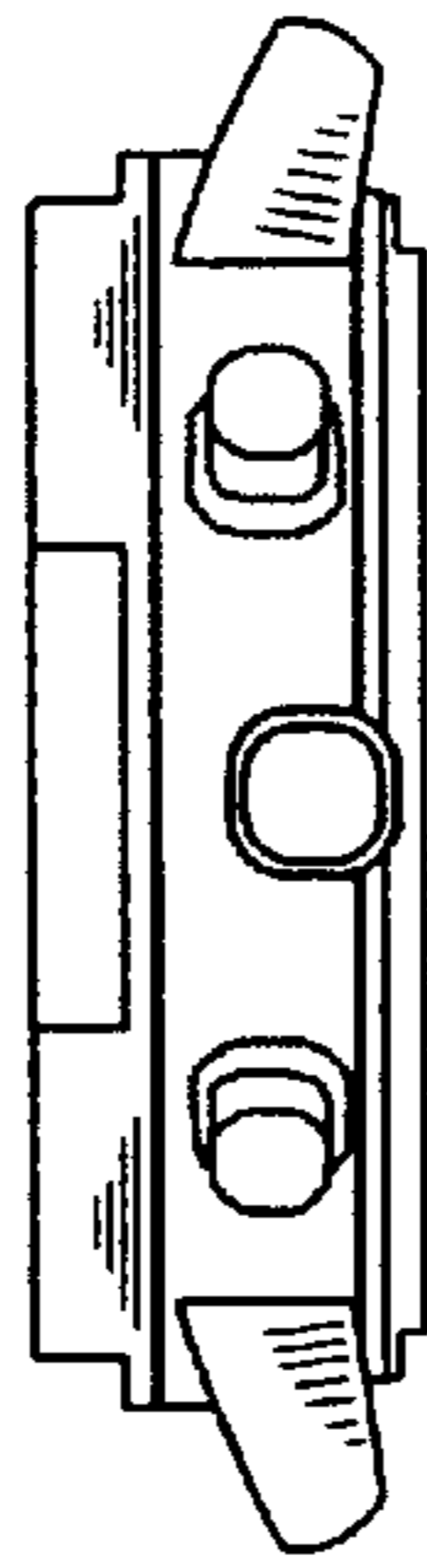


Fig.2

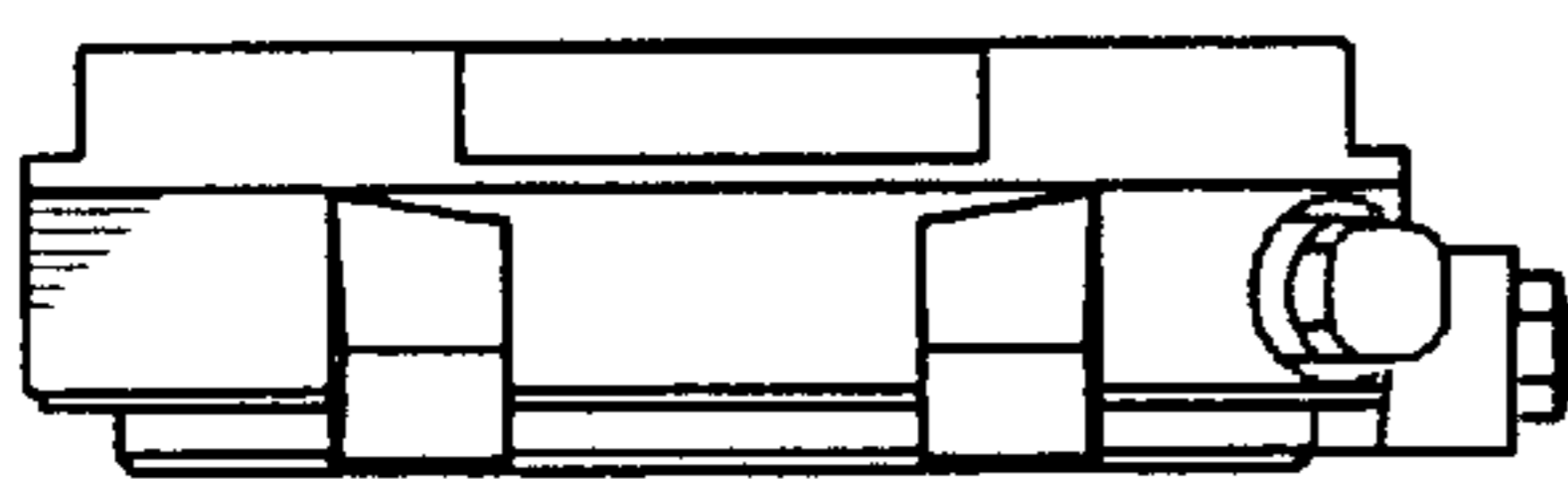
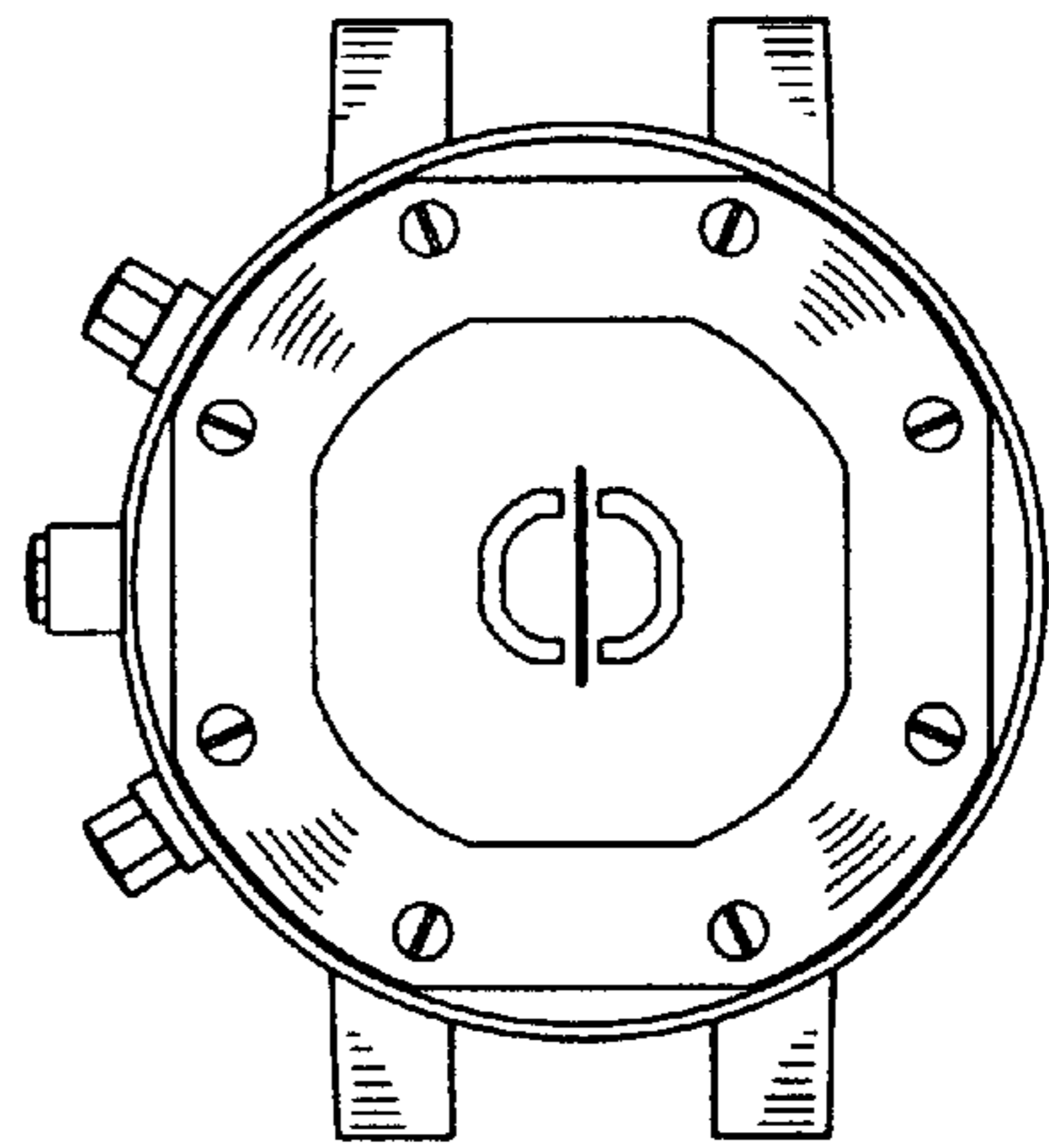


Fig.6

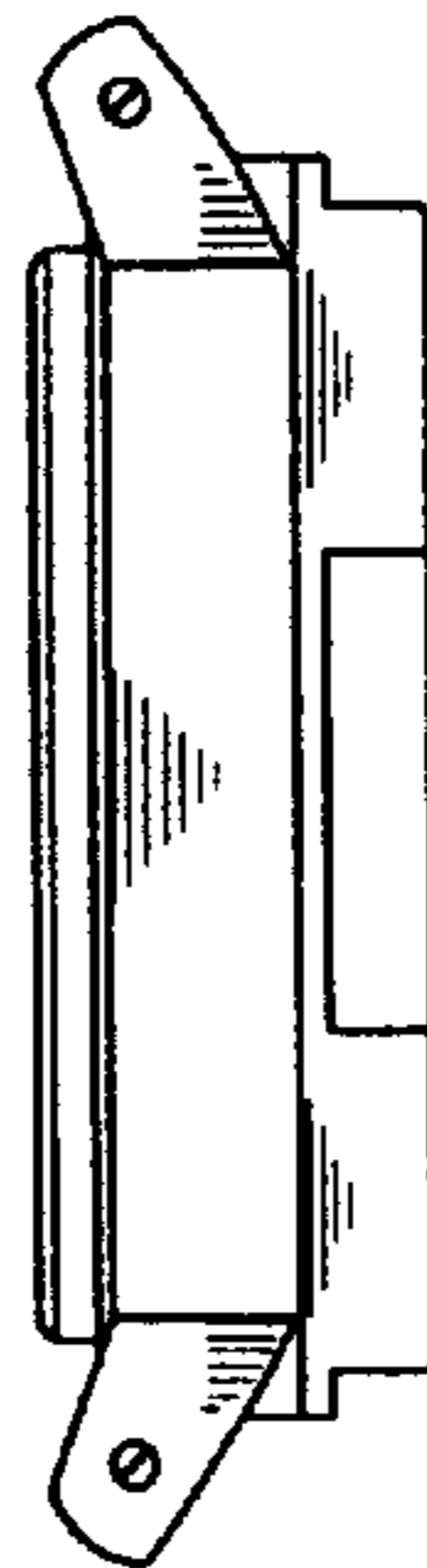


Fig.4

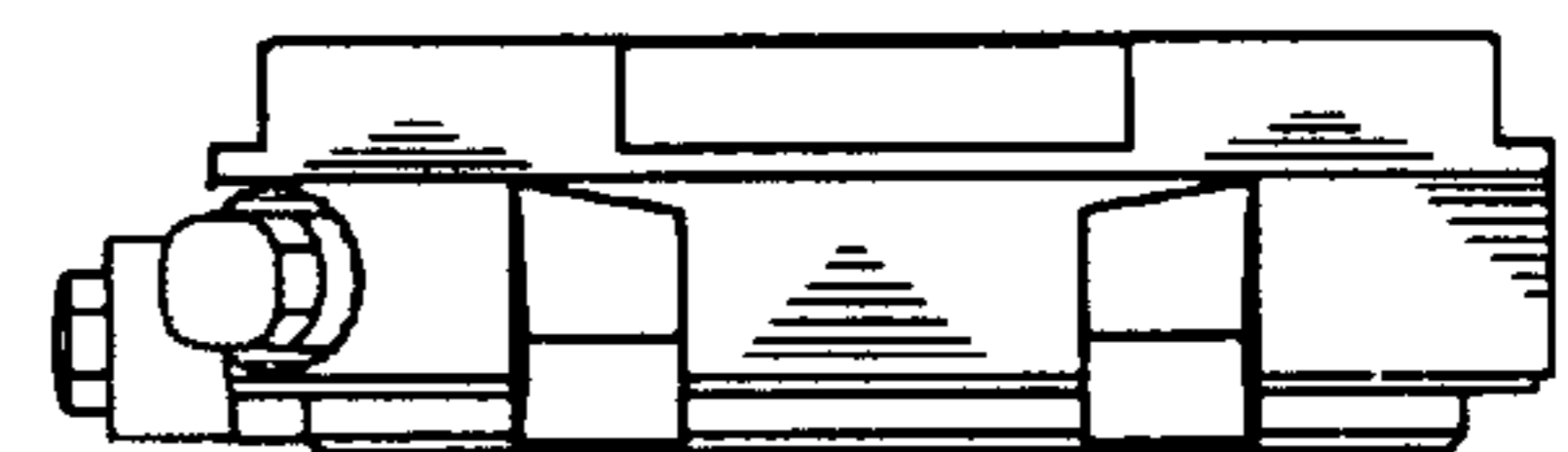


Fig.5