



US00D445339S

(12) **United States Design Patent**
Bazlur

(10) **Patent No.:** **US D445,339 S**

(45) **Date of Patent:** **** Jul. 24, 2001**

(54) **CONTAINER**

(75) **Inventor:** **Rashid A. B. M. Bazlur**, Neenah, WI
(US)

(73) **Assignee:** **Pechiney Emballage Flexible Europe**
(FR)

(**) **Term:** **14 Years**

(21) **Appl. No.:** **29/119,041**

(22) **Filed:** **Feb. 23, 2000**

(51) **LOC (7) Cl.** **09-01**

(52) **U.S. Cl.** **D9/538; D9/541; D9/542;**
D9/546; D9/559

(58) **Field of Search** **D9/500, 502, 503,**
D9/506, 516, 549, 551, 556, 557, 558,
569, 570, 574, 575, 538-542, 530, 544-546,
550, 559-560, 522, 564, 571-573, 510,
454; 220/253-254, 258, 662, 669

(56) **References Cited**

U.S. PATENT DOCUMENTS

| | | | | | |
|------------|---|---------|---------------|-------|--------|
| D. 223,808 | * | 6/1972 | Beaver | | D9/542 |
| D. 228,626 | * | 10/1973 | Knies | | D9/347 |
| D. 270,331 | * | 8/1983 | Benson | | D9/560 |
| D. 288,906 | * | 3/1987 | Strand | | D9/558 |
| D. 314,142 | * | 1/1991 | Briggs | | D9/550 |
| D. 321,830 | * | 11/1991 | York et al. | | D9/549 |
| D. 402,563 | * | 12/1998 | Prevot et al. | | D9/538 |
| D. 405,698 | * | 2/1999 | Lykken | | D9/541 |
| D. 423,366 | * | 4/2000 | Gans | | D9/541 |
| D. 426,164 | * | 6/2000 | Gans et al. | | D9/541 |

| | | | | | |
|------------|---|---------|------------------|-------|---------|
| D. 426,469 | * | 6/2000 | Mankowski et al. | | D9/541 |
| D. 428,814 | * | 8/2000 | Silvers et al. | | D9/502 |
| D. 429,647 | * | 8/2000 | Warner et al. | | D9/538 |
| D. 435,455 | * | 12/2000 | Gans | | D9/541 |
| 6,016,932 | * | 1/2000 | Gaydosh et al. | | 215/382 |

* cited by examiner

Primary Examiner—Ted Shooman

Assistant Examiner—Carol Rademaker

(74) *Attorney, Agent, or Firm*—McDermott, Will & Emery

(57) **CLAIM**

The ornamental design for a container, as shown and described.

DESCRIPTION

FIG. 1 is a perspective view of the design of the present invention;

FIG. 2 is a front elevational view of the design depicted in FIG. 1 shown at a reduced scale;

FIG. 3 is a left side elevational view of the design depicted in FIG. 1 shown at a reduced scale;

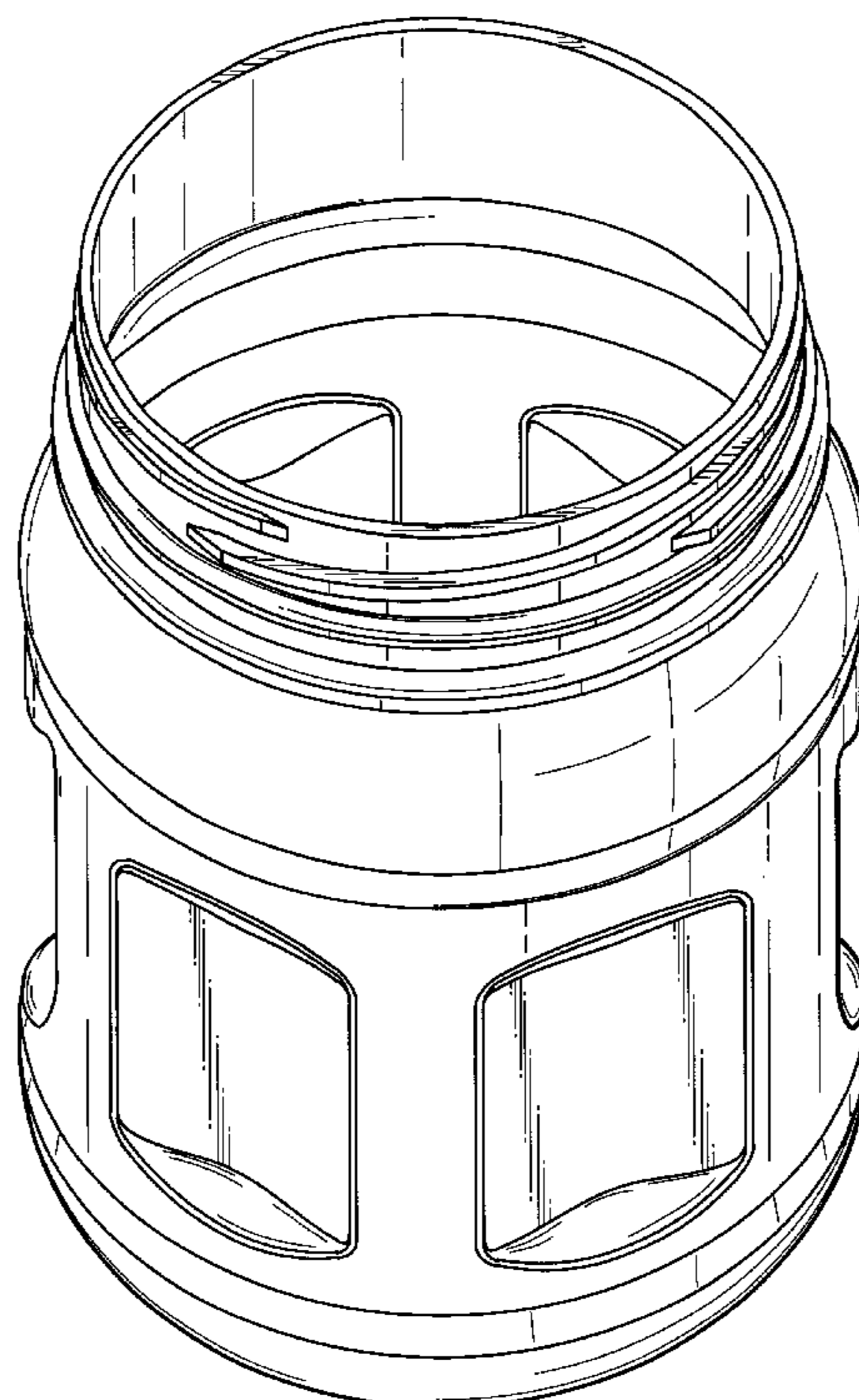
FIG. 4 is a top plan view of the design depicted in FIG. 1 shown at a reduced scale; and,

FIG. 5 is a bottom plan view of the design depicted in FIG. 1 shown at a reduced scale.

The rear elevational view is the same as the front elevational view, and the right elevational view is the same as the left elevational view, with the exception of the threads.

The broken line showing of environment in FIGS. 4 & 5 is for illustrative purposes only and forms no part of the claimed design.

1 Claim, 3 Drawing Sheets



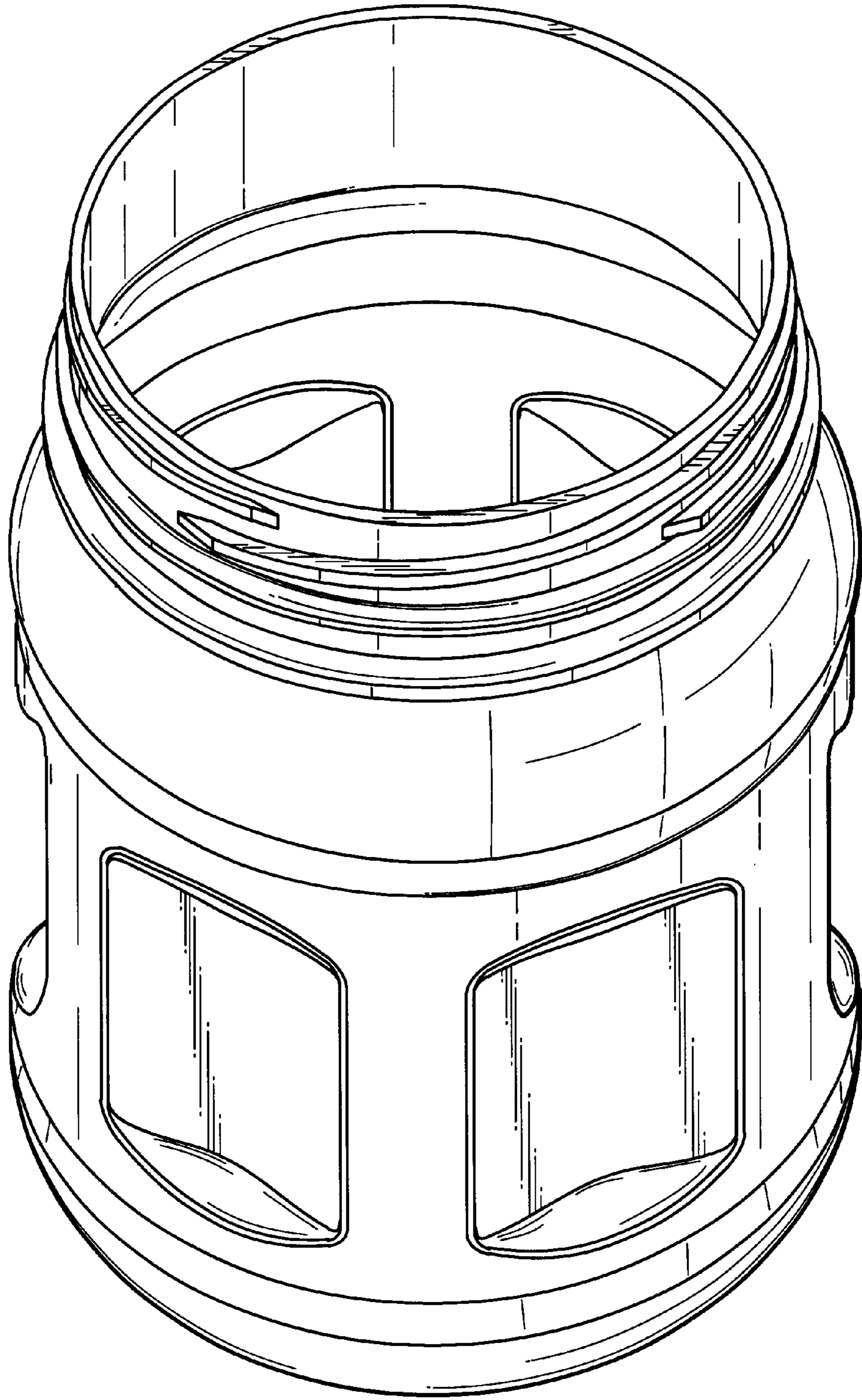


Fig. 1

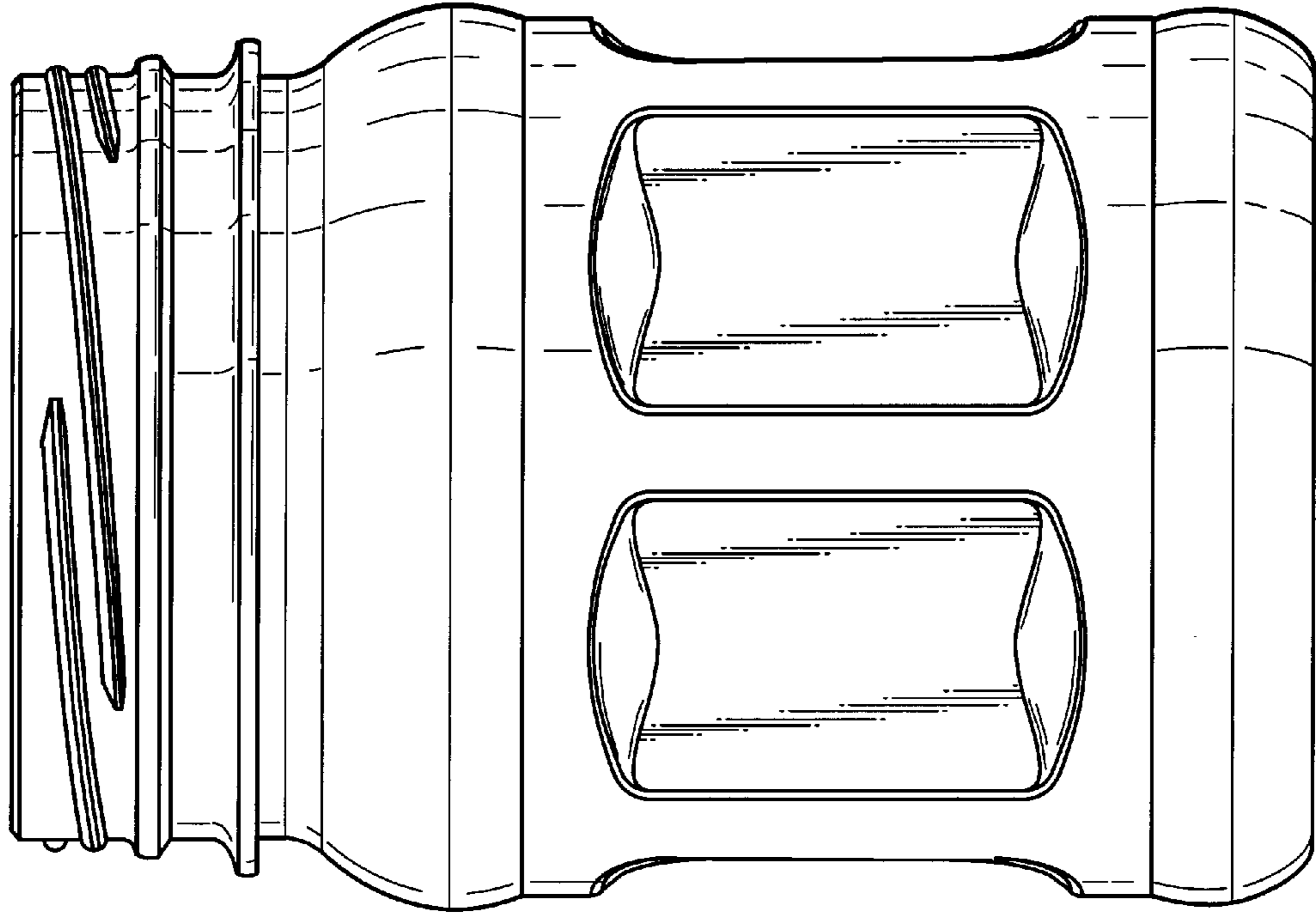


Fig. 3

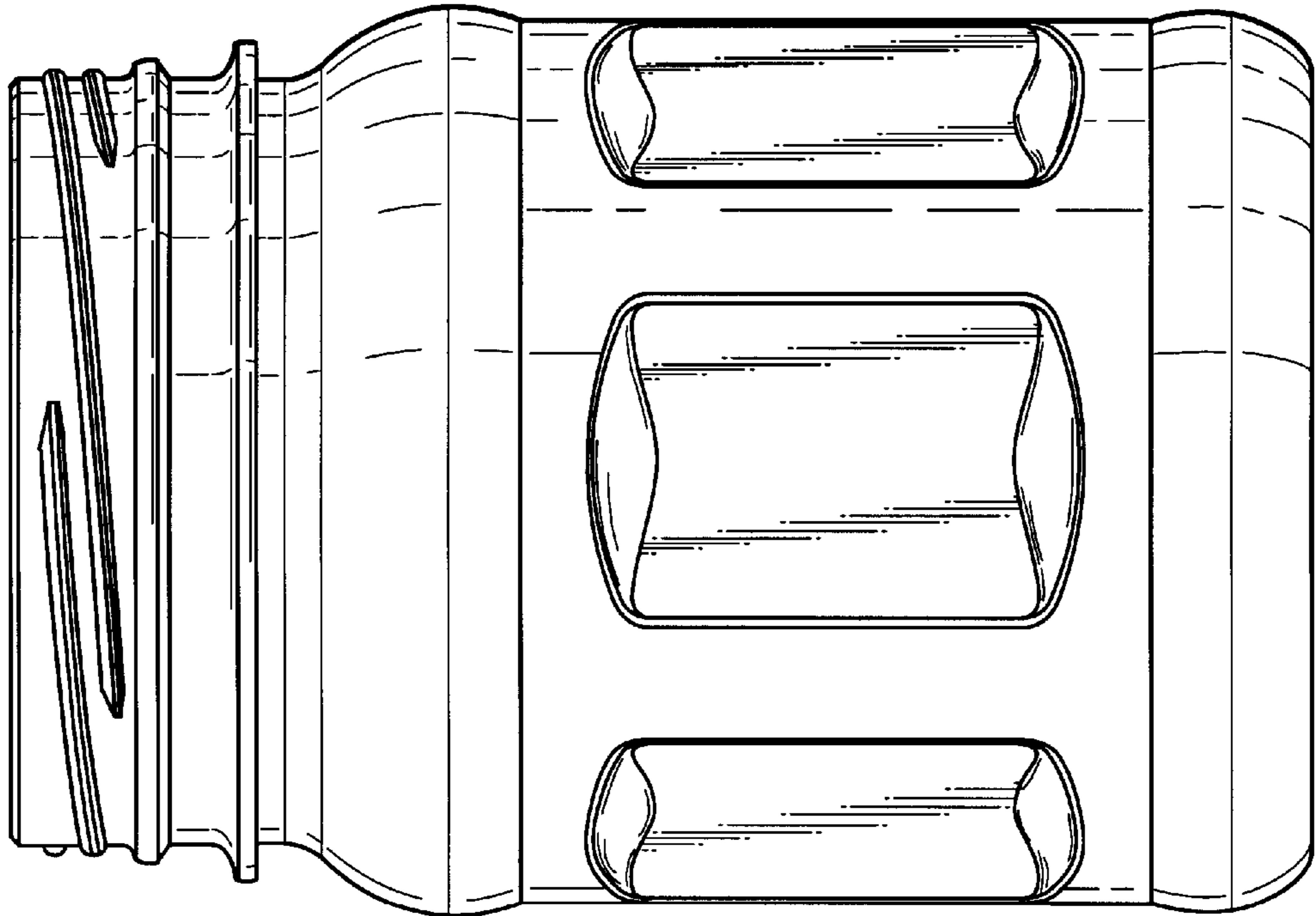


Fig. 2

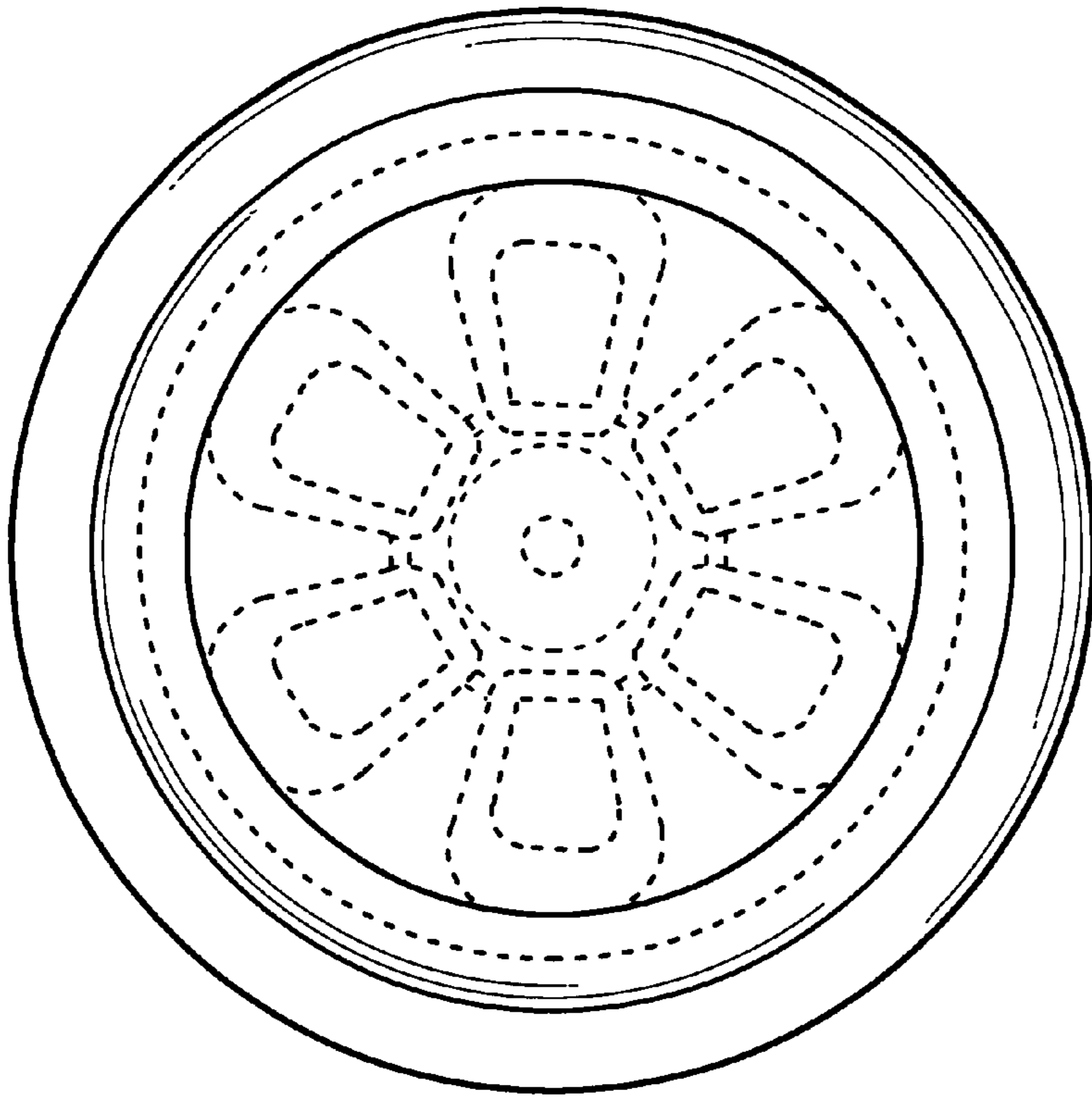


Fig. 5

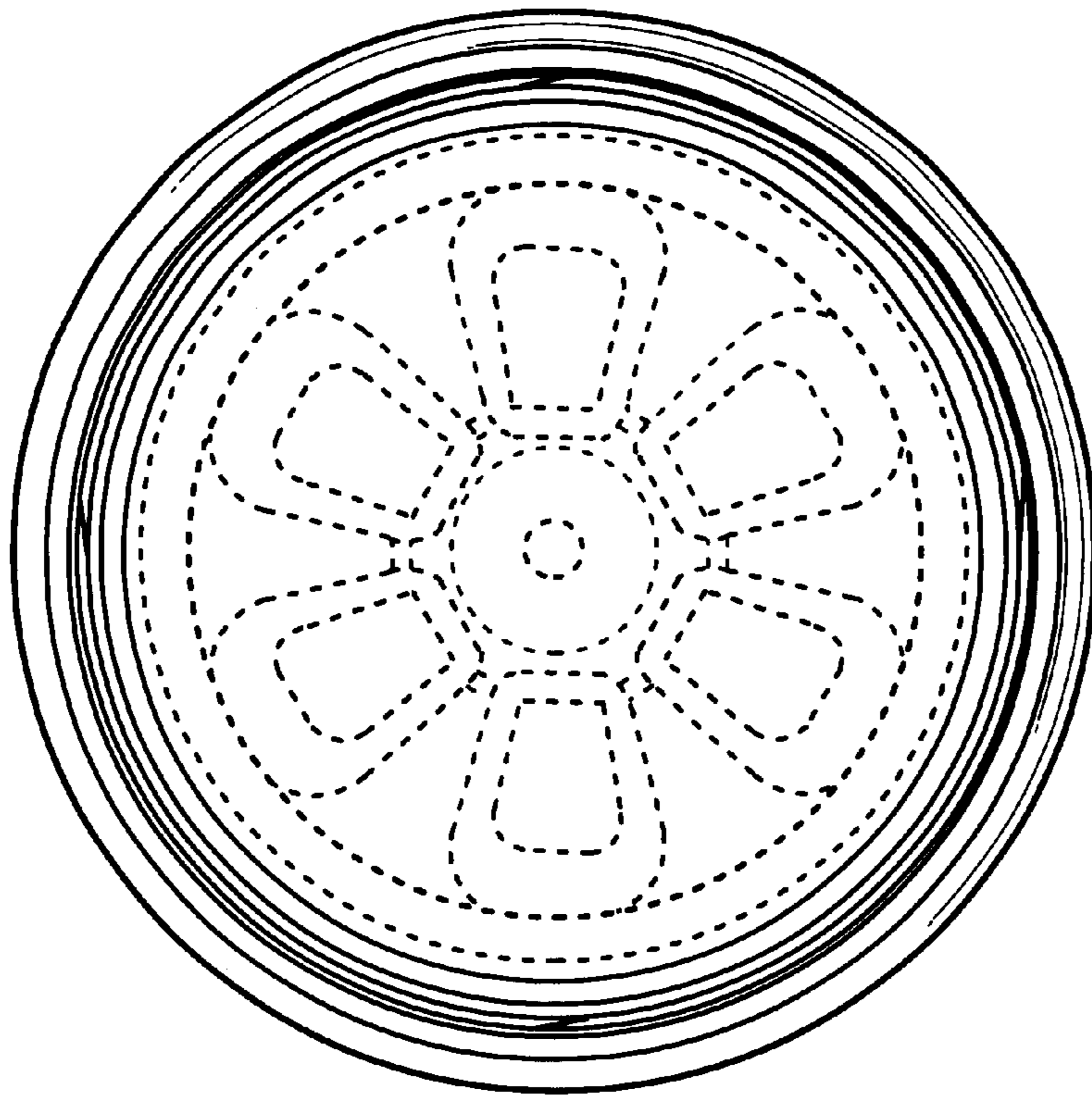


Fig. 4