



US00D445336S

(12) **United States Design Patent**
Hepworth et al.

(10) **Patent No.:** **US D445,336 S**

(45) **Date of Patent:** **** Jul. 24, 2001**

(54) **PACKAGING HANGER**

D. 418,406 * 1/2000 Liao D9/415
D. 432,910 * 10/2000 Caper D9/415

(75) Inventors: **Paul Steabben Hepworth**, Derby; **Iain Bradfield**; **Simon James Skillings**, both of Staffordshire, all of (GB)

* cited by examiner

Primary Examiner—Cathron C. Brooks

(73) Assignee: **Plasplugs, Inc.**, Lakewood, NJ (US)

(74) *Attorney, Agent, or Firm*—Peter L. Michaelson; Michaelson & Wallace

(**) Term: **14 Years**

(57) **CLAIM**

(21) Appl. No.: **29/126,681**

The ornamental design for a packaging hanger, as shown and described.

(22) Filed: **Jul. 21, 2000**

(30) **Foreign Application Priority Data**

DESCRIPTION

Jan. 21, 2000 (GB) 2089669

FIG. 1 is a front view of our inventive packaging hanger; FIG. 2 is an enlarged fragmentary view taken along section line A—A shown in FIG. 1;

(51) **LOC (7) Cl.** **09-07**

FIG. 3 is a rear view of our inventive packaging hanger shown in FIG. 1;

(52) **U.S. Cl.** **D9/457; D9/415**

FIG. 4 is a left side view of our inventive packaging hanger, shown in FIG. 1, with a right side view (not shown) being identical thereto;

(58) **Field of Search** D9/434, 456, 457, D9/415, 418; D6/315; D20/22, 27; 206/45.31, 45.34, 44 R, 461, 463, 464, 469, 470, 471, 495, 578, 806

FIG. 5 is a front perspective view of our inventive packaging hanger; and,

(56) **References Cited**

FIG. 6 is a rear perspective view of our inventive packaging hanger.

U.S. PATENT DOCUMENTS

D. 346,114 * 4/1994 Winston D9/415
D. 370,174 * 5/1996 Bergstedt D9/415

1 Claim, 2 Drawing Sheets

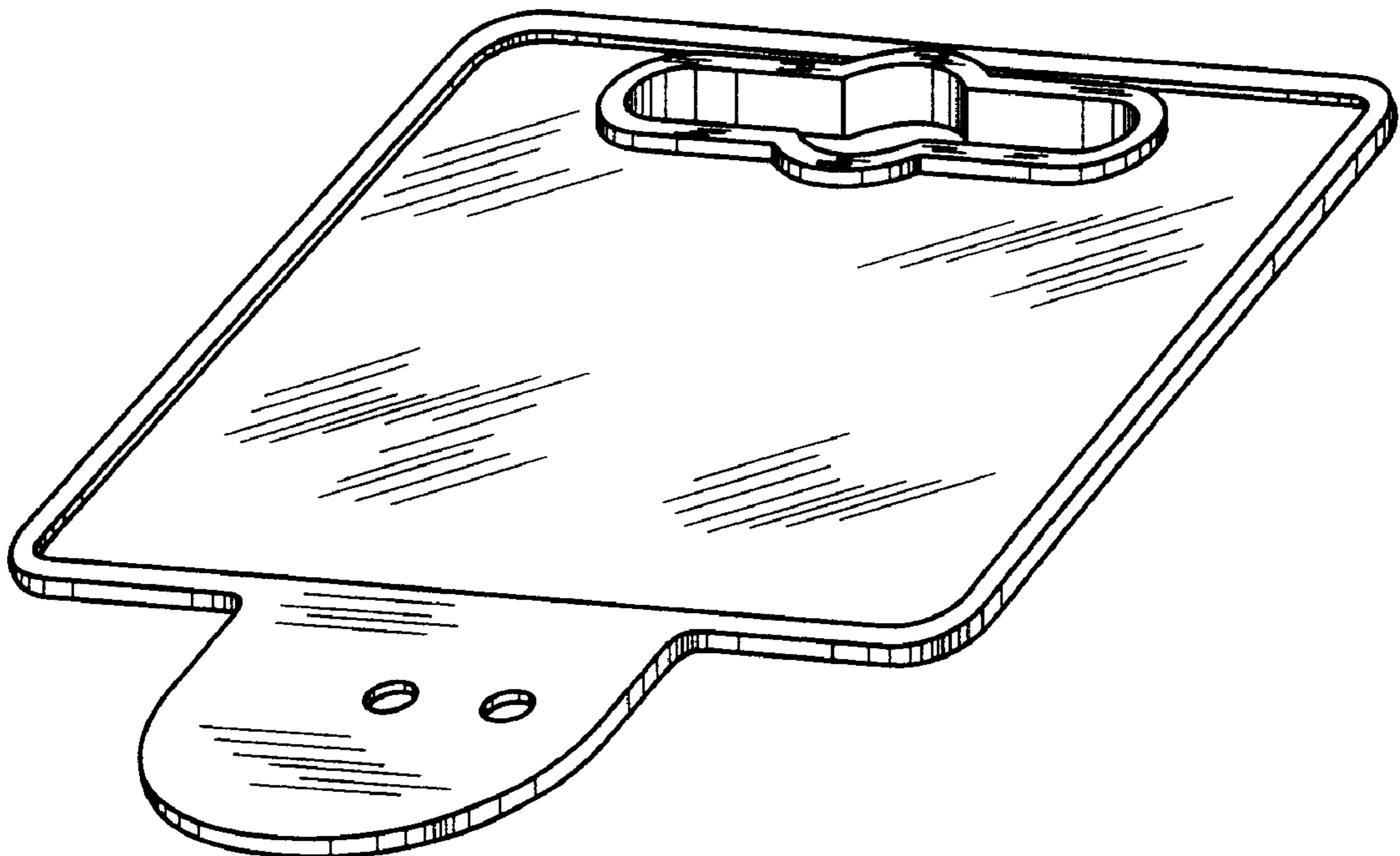


FIG. 1

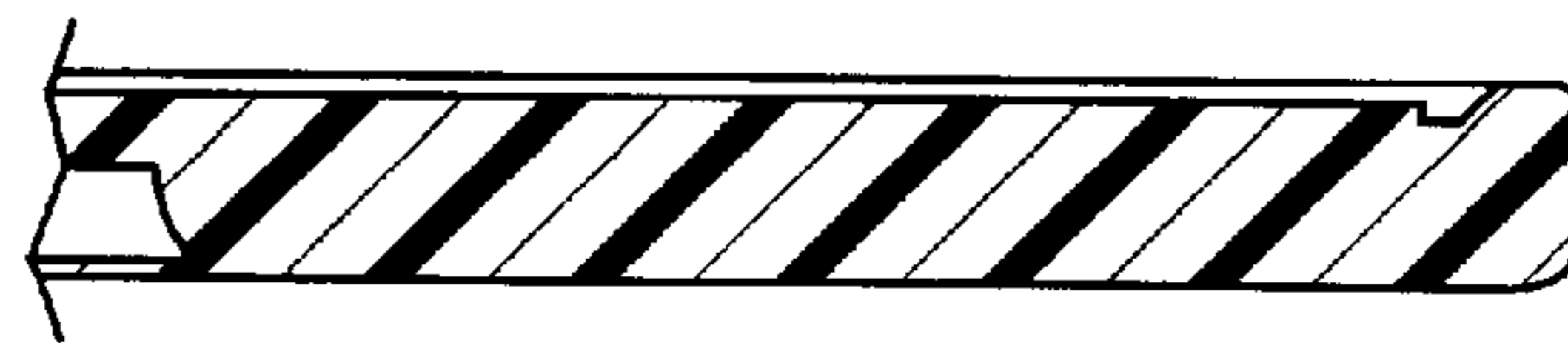
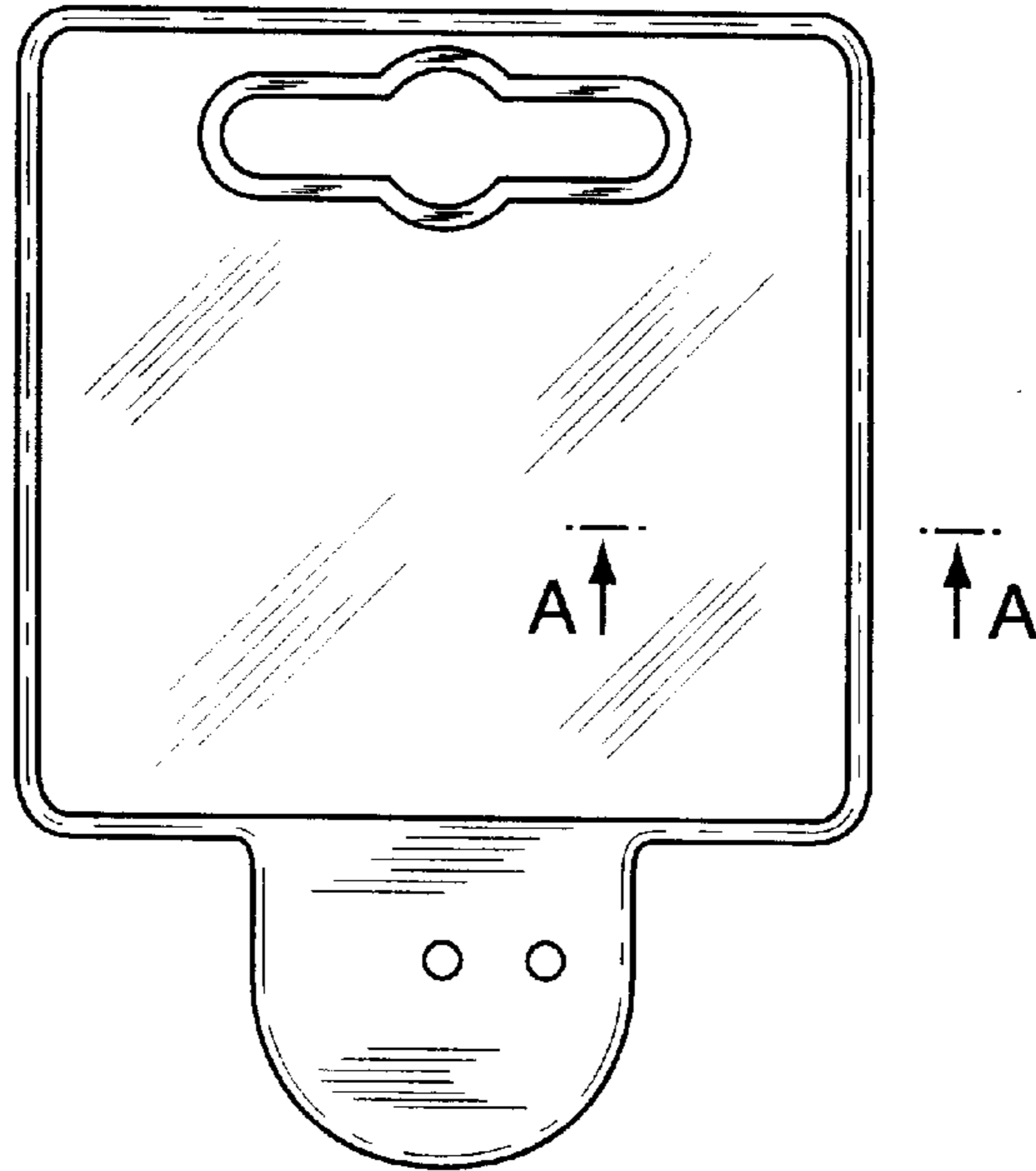


FIG. 2

FIG. 3

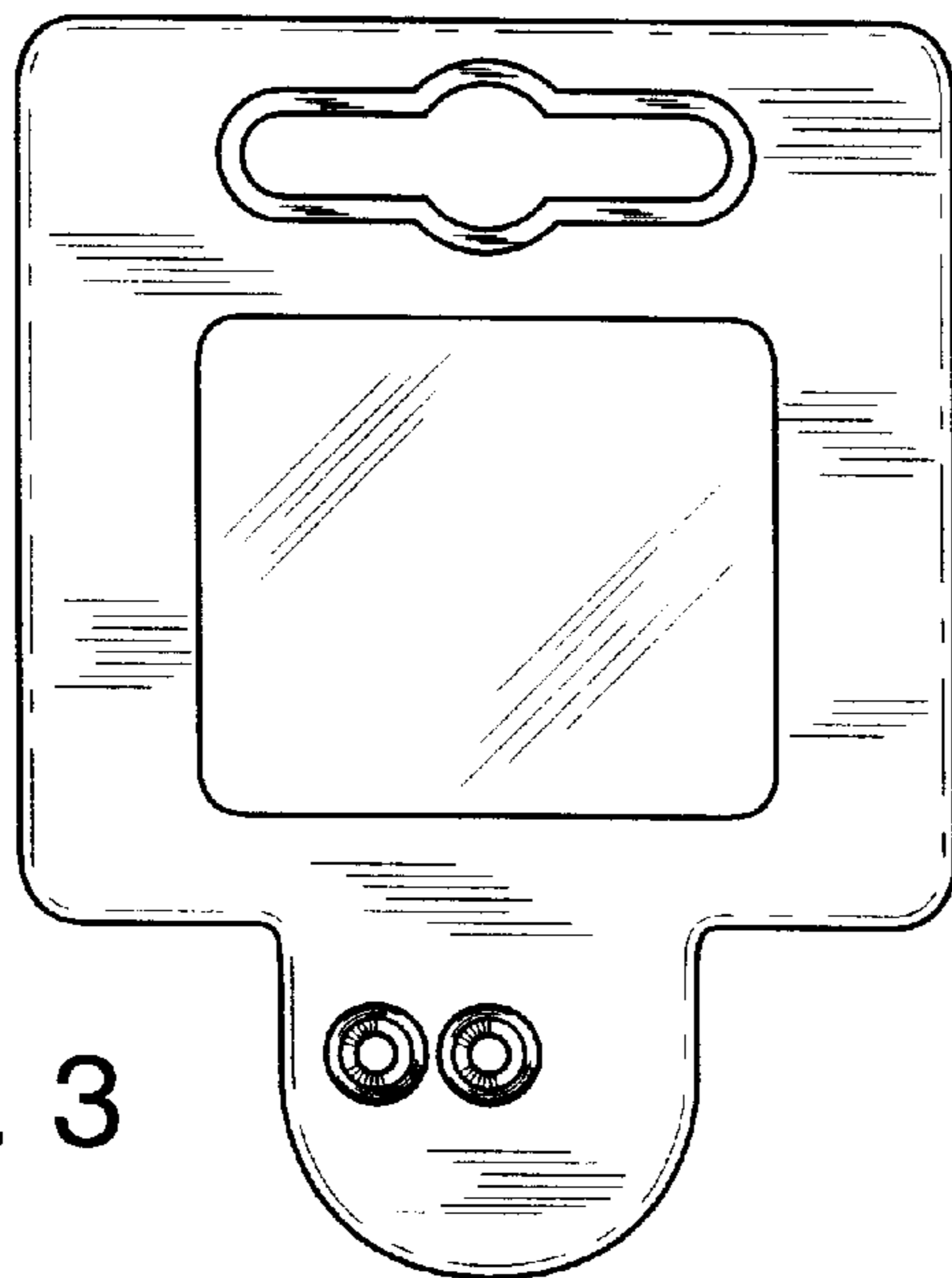


FIG. 4



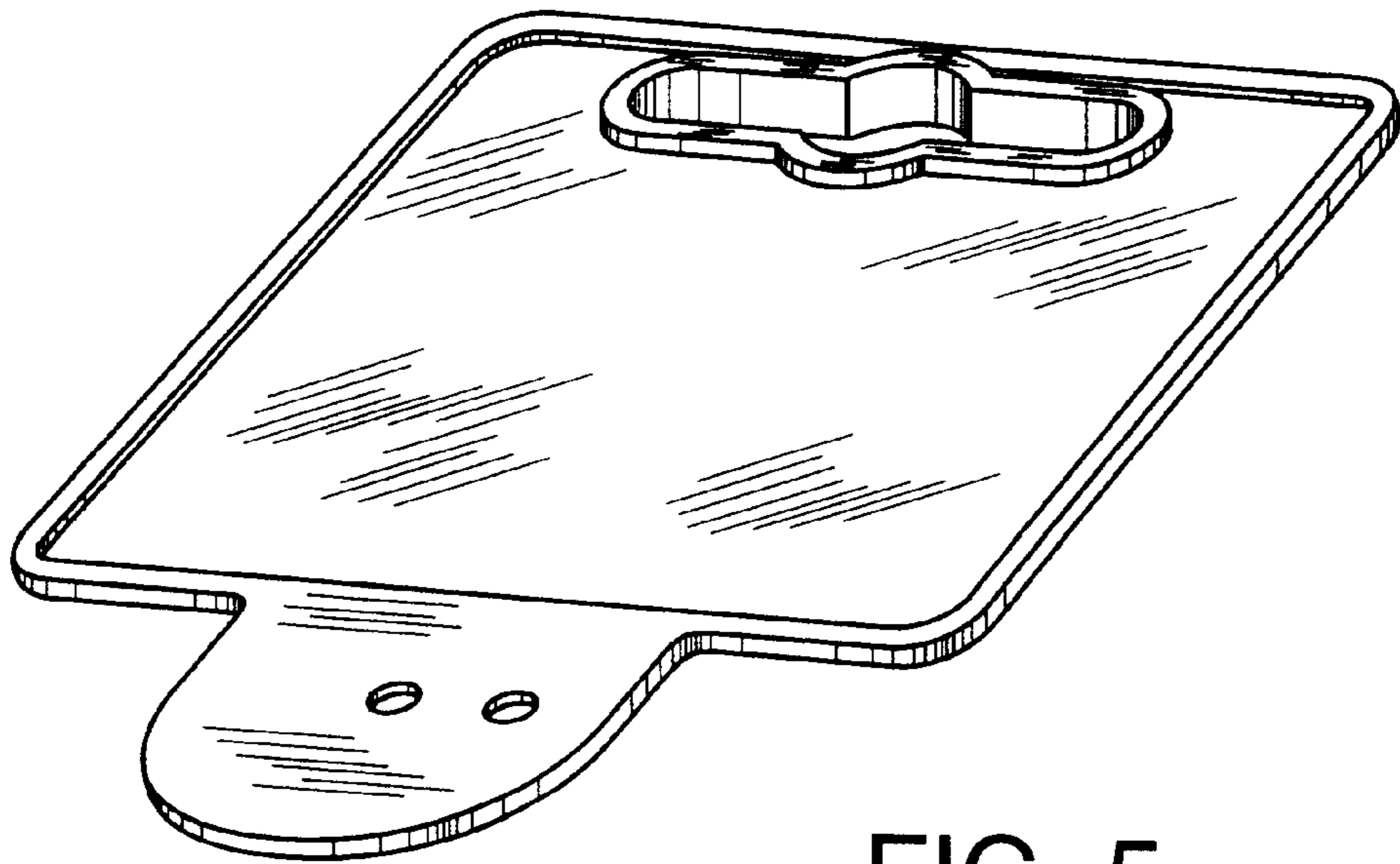


FIG. 5

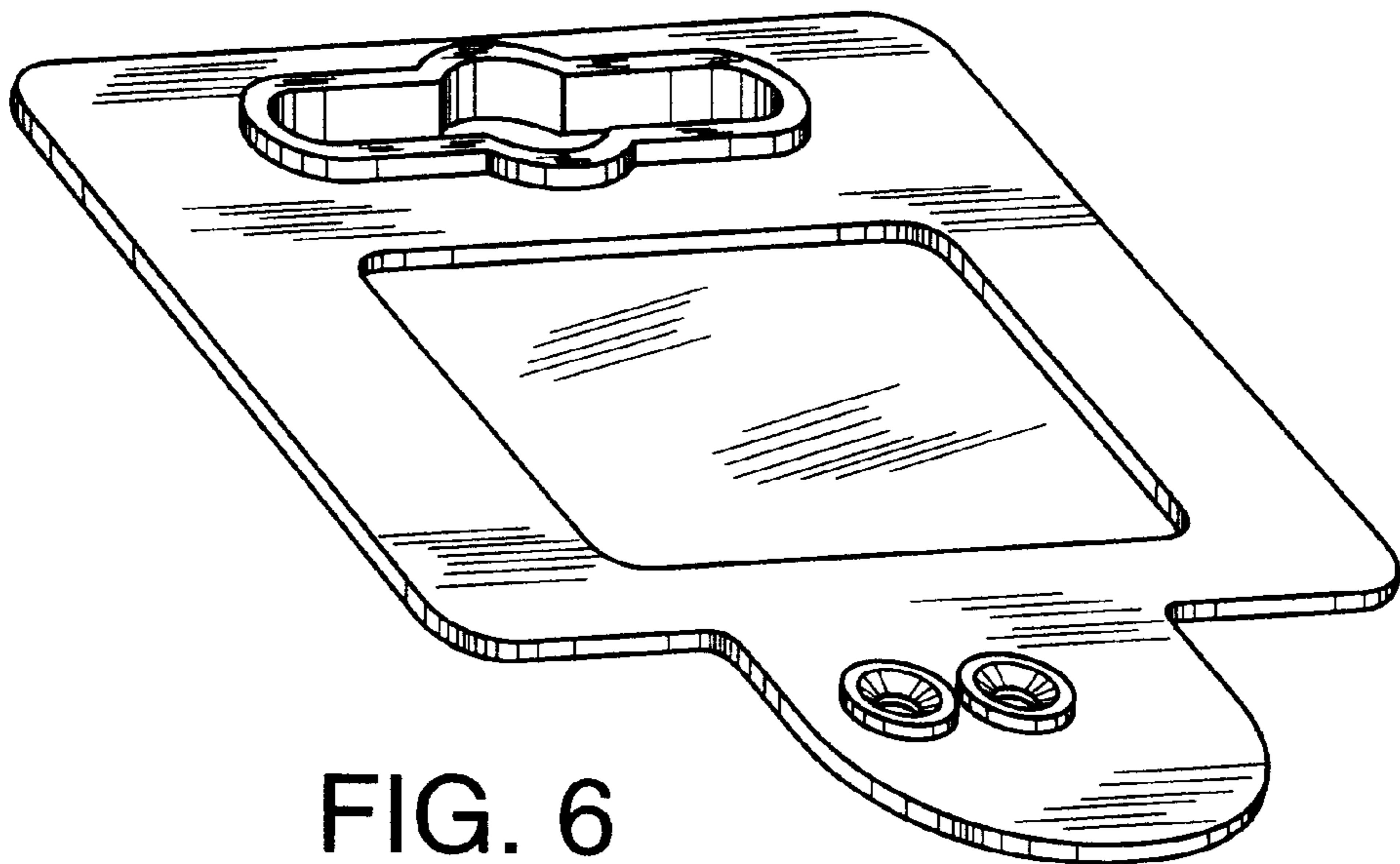


FIG. 6