



US00D445332S

(12) **United States Design Patent**
Breiding et al.

(10) **Patent No.:** **US D445,332 S**

(45) **Date of Patent:** **** Jul. 24, 2001**

(54) **TISSUE PACKAGE**

(75) Inventors: **Gregory S. Breiding**, Columbus;
Anjana Batra, Cincinnati, both of OH
(US)

(73) Assignee: **The Procter & Gamble Company**,
Cincinnati, OH (US)

(**) Term: **14 Years**

(21) Appl. No.: **29/122,302**

(22) Filed: **Apr. 25, 2000**

(51) **LOC (7) Cl.** **09-03**

(52) **U.S. Cl.** **D9/416; D6/522**

(58) **Field of Search** D9/416, 417, 420,
D9/418, 432, 337; D6/522, 515, 523; D3/328;
206/233, 494, 823, 806; 224/901.2, 268,
269, 42.4; 221/45, 52, 56, 33; 248/311.2,
311.3, 309.1, 313, 316.7, 905, 339; 229/172-176

(56) **References Cited**

U.S. PATENT DOCUMENTS

D. 333,262	*	2/1993	Zogg	D9/416
D. 333,781	*	3/1993	Kobel	D9/416
D. 354,871	*	1/1995	Frazier et al.	D6/522
D. 419,346		1/2000	Monigold	.	
D. 424,853	*	5/2000	Singletary et al.	D6/522
546,849	*	9/1895	Hughes	221/56
1,910,094	*	5/1933	Crane et al.	248/905
2,278,011	*	3/1942	Murdock	296/97.5
3,089,597	*	5/1963	Kaplan	221/46
3,482,810	*	12/1969	Baily	248/311.2
4,696,448		9/1987	Mazloom et al.	.	

4,993,589	*	2/1991	McLaughlin	221/56
5,065,970		11/1991	Gross	.	
5,332,138		7/1994	Gross et al.	.	
6,073,899	*	6/2000	Omrani	248/311.2

* cited by examiner

Primary Examiner—Prabhakar Deshmukh

(74) *Attorney, Agent, or Firm*—Donald E. Hasse; Julia A. Glazer; Tara M. Rosnell

(57) **CLAIM**

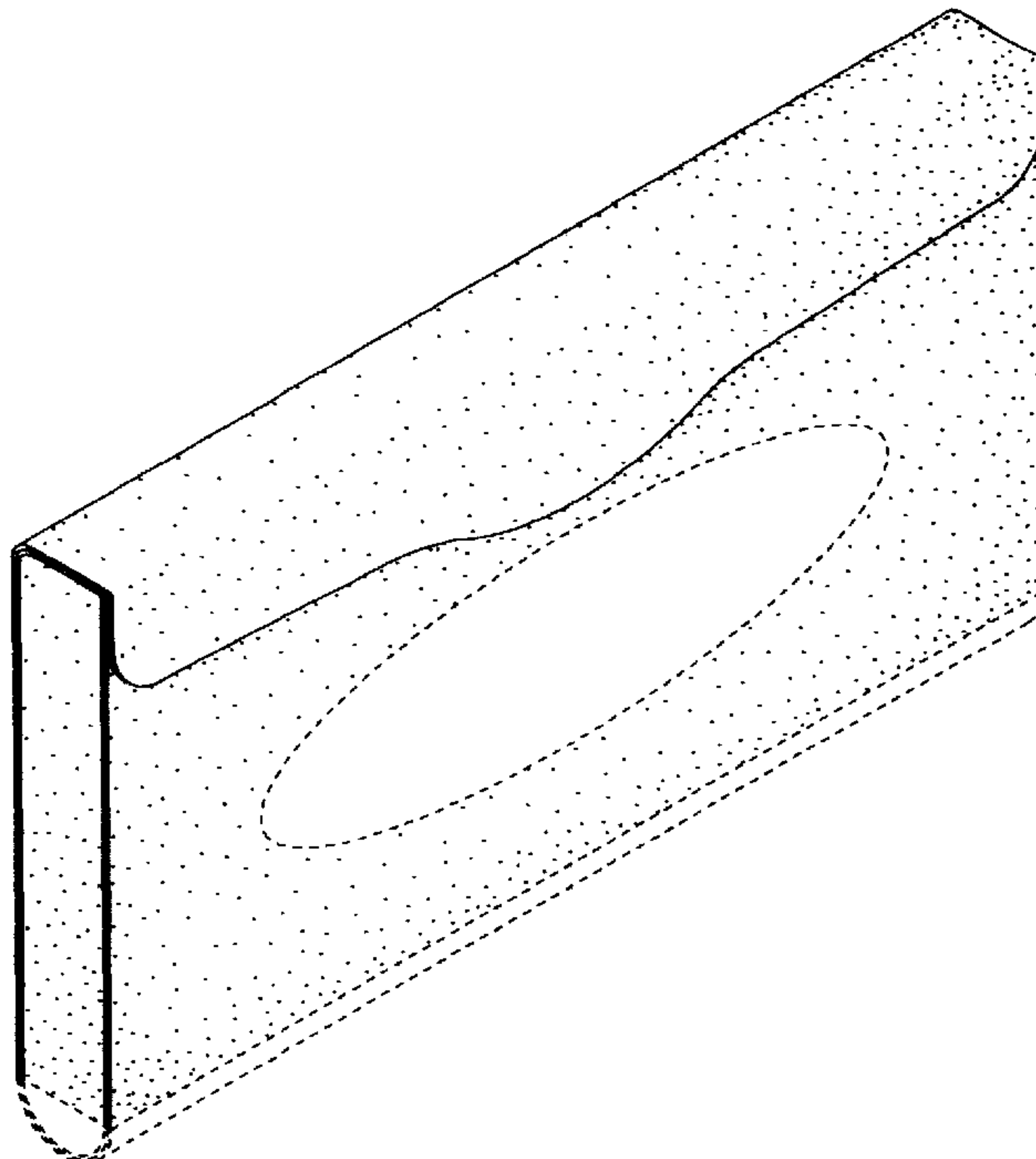
The ornamental design for a tissue package, as shown and described.

DESCRIPTION

FIG. 1 is a perspective view of a tissue package showing our new design;
 FIG. 2 is a front elevational view thereof;
 FIG. 3 is a top plan view thereof;
 FIG. 4 is a rear elevational view thereof;
 FIG. 5 is a left side elevational view thereof; the right side elevational being a mirror image thereof;
 FIG. 6 is a bottom plan view thereof;
 FIG. 7 is a perspective view of a second embodiment of the tissue package;
 FIG. 8 is a front elevational view of FIG. 7;
 FIG. 9 is a left side elevational view of FIG. 7; the right side elevational view being a mirror image thereof;
 FIG. 10 is a top plan view of FIG. 7; and,
 FIG. 11 is a bottom plan view of FIG. 7.

The broken lines are for illustrative purpose only and forms no part of the claimed design. The break lines in FIGS. 7-11 indicate an undermined length and width of the tab.

1 Claim, 4 Drawing Sheets



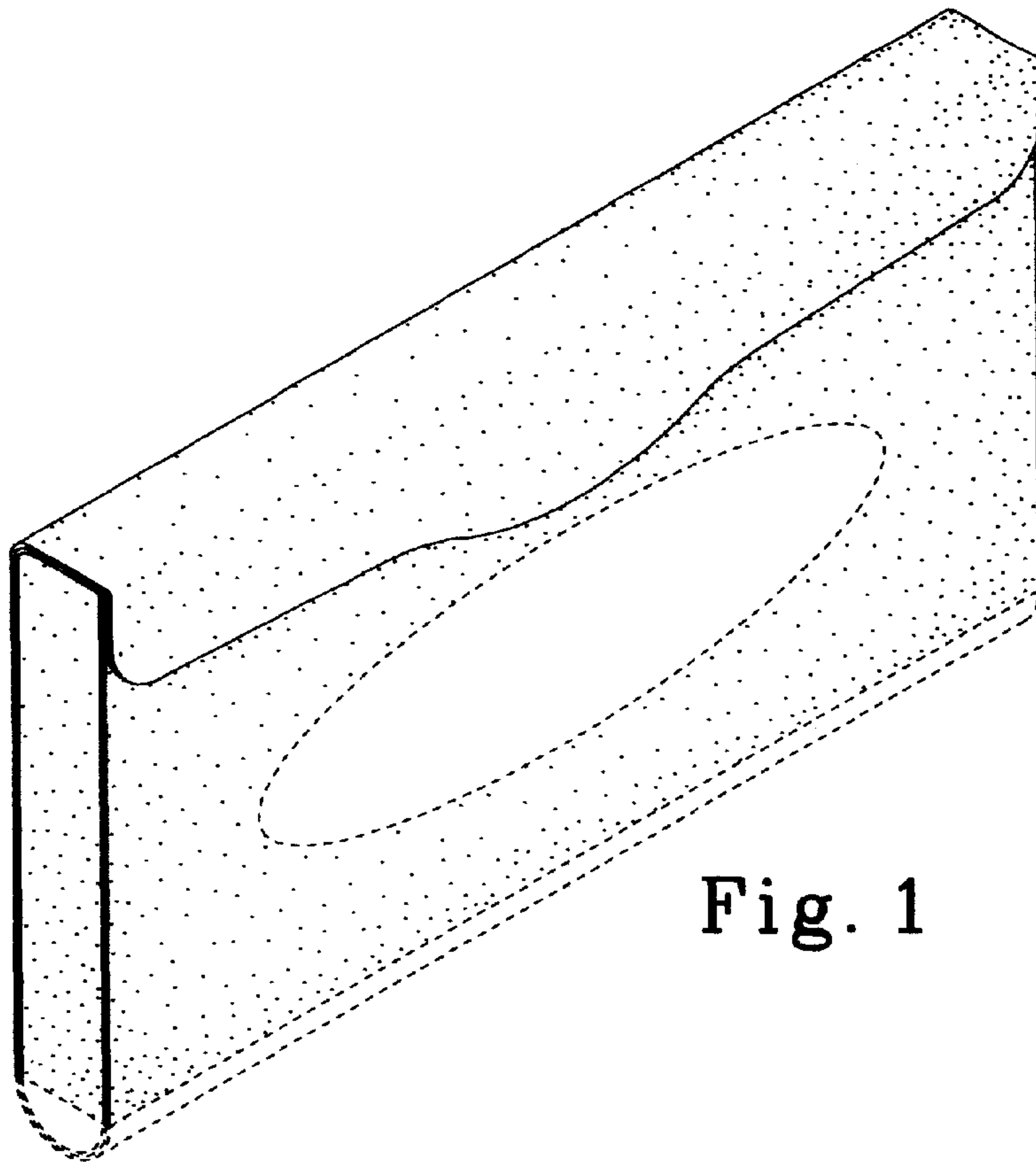


Fig. 1

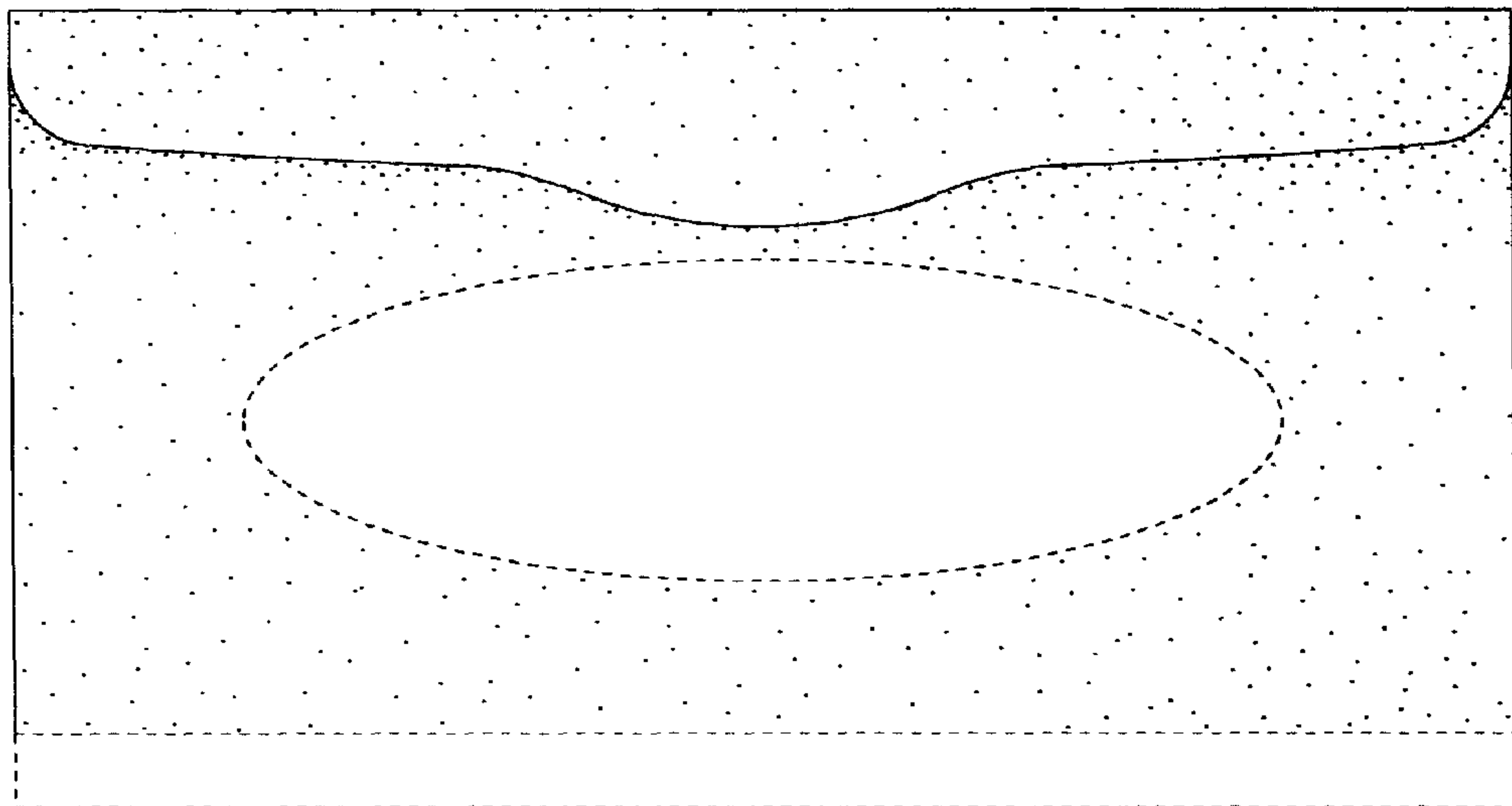


Fig. 2

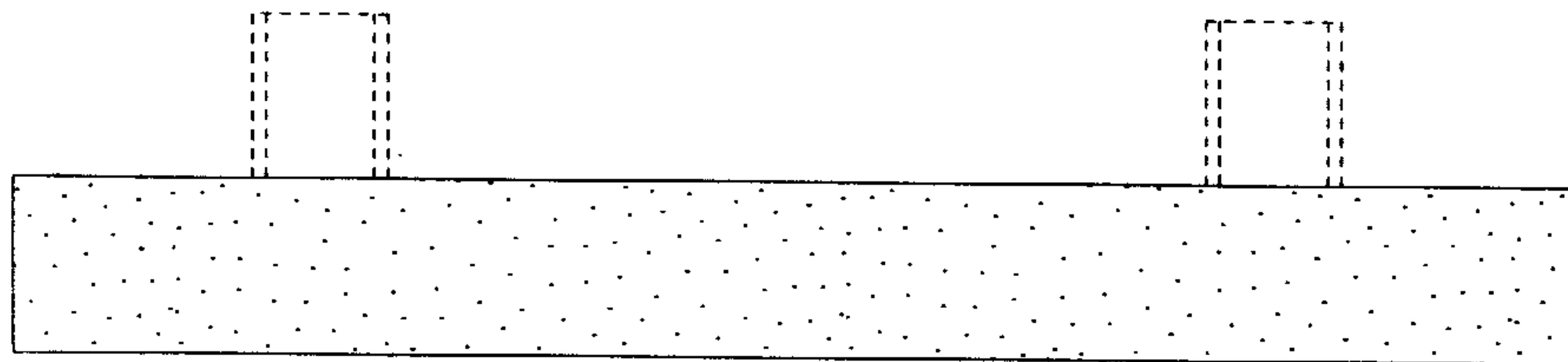


Fig. 3

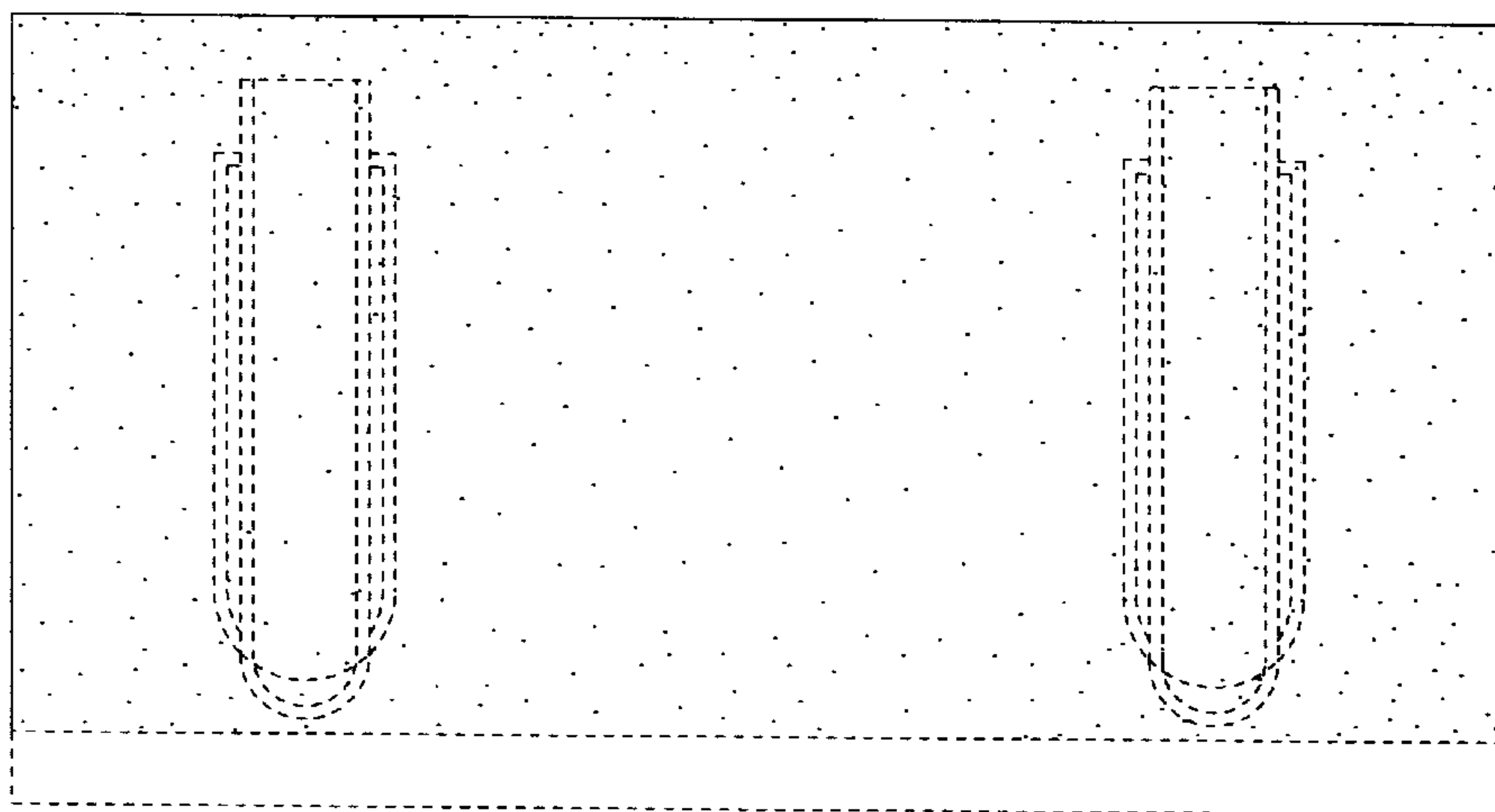


Fig. 4

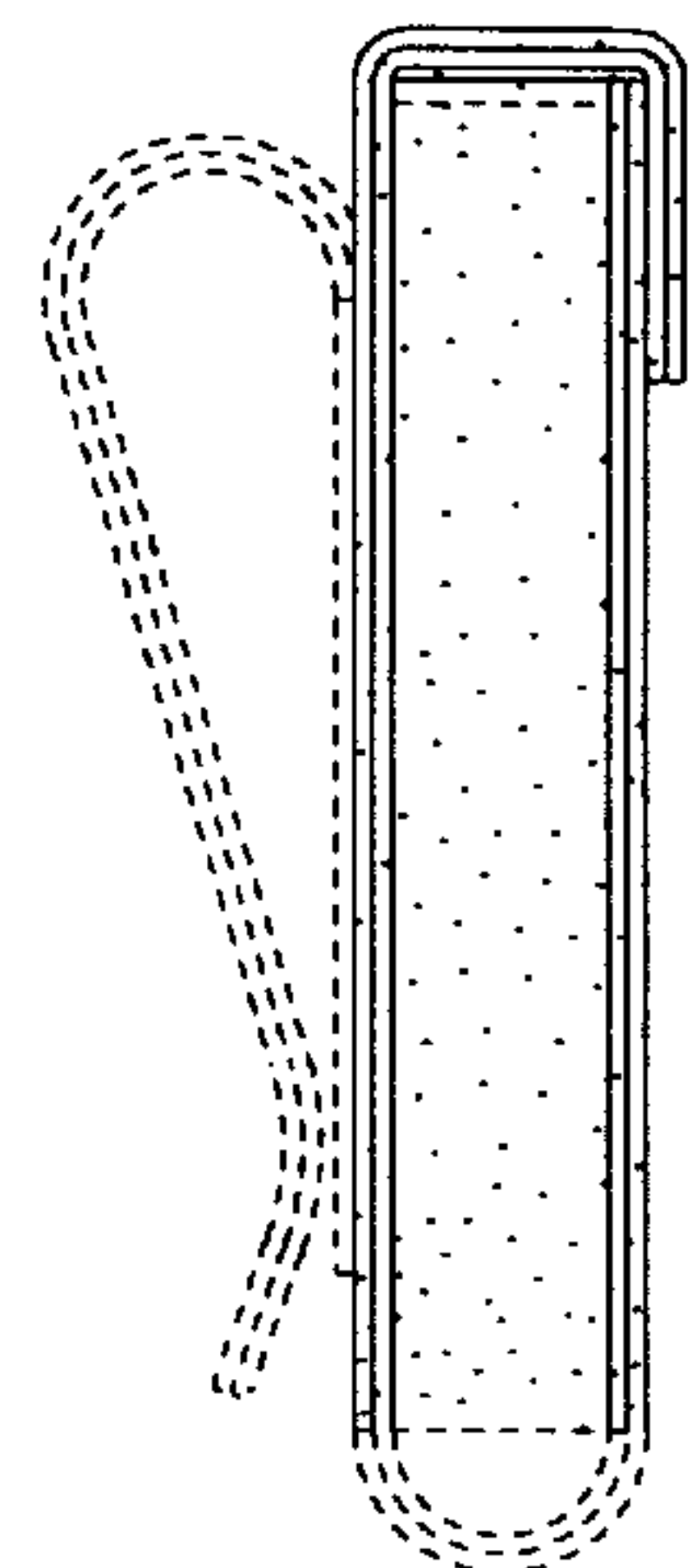


Fig. 5

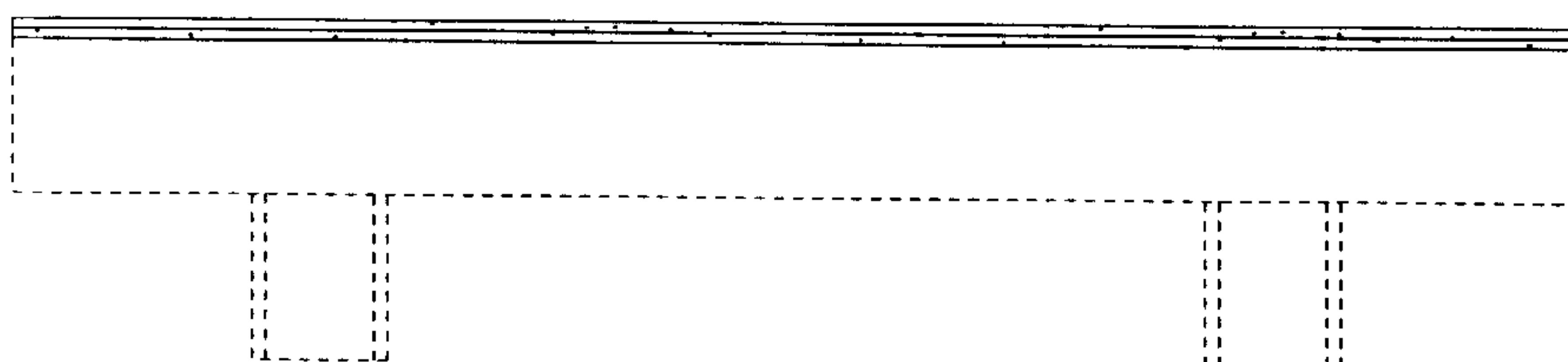


Fig. 6

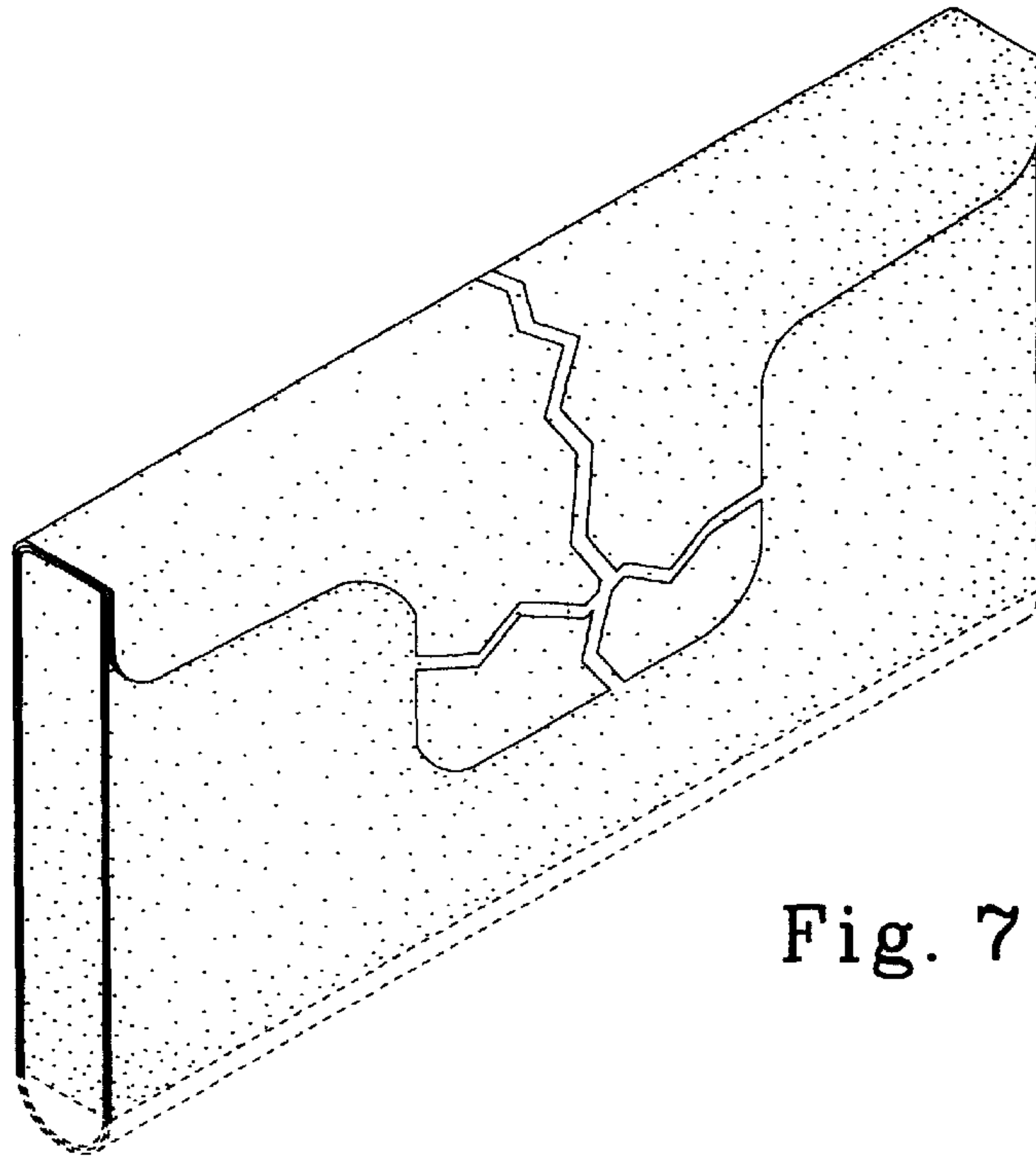


Fig. 7

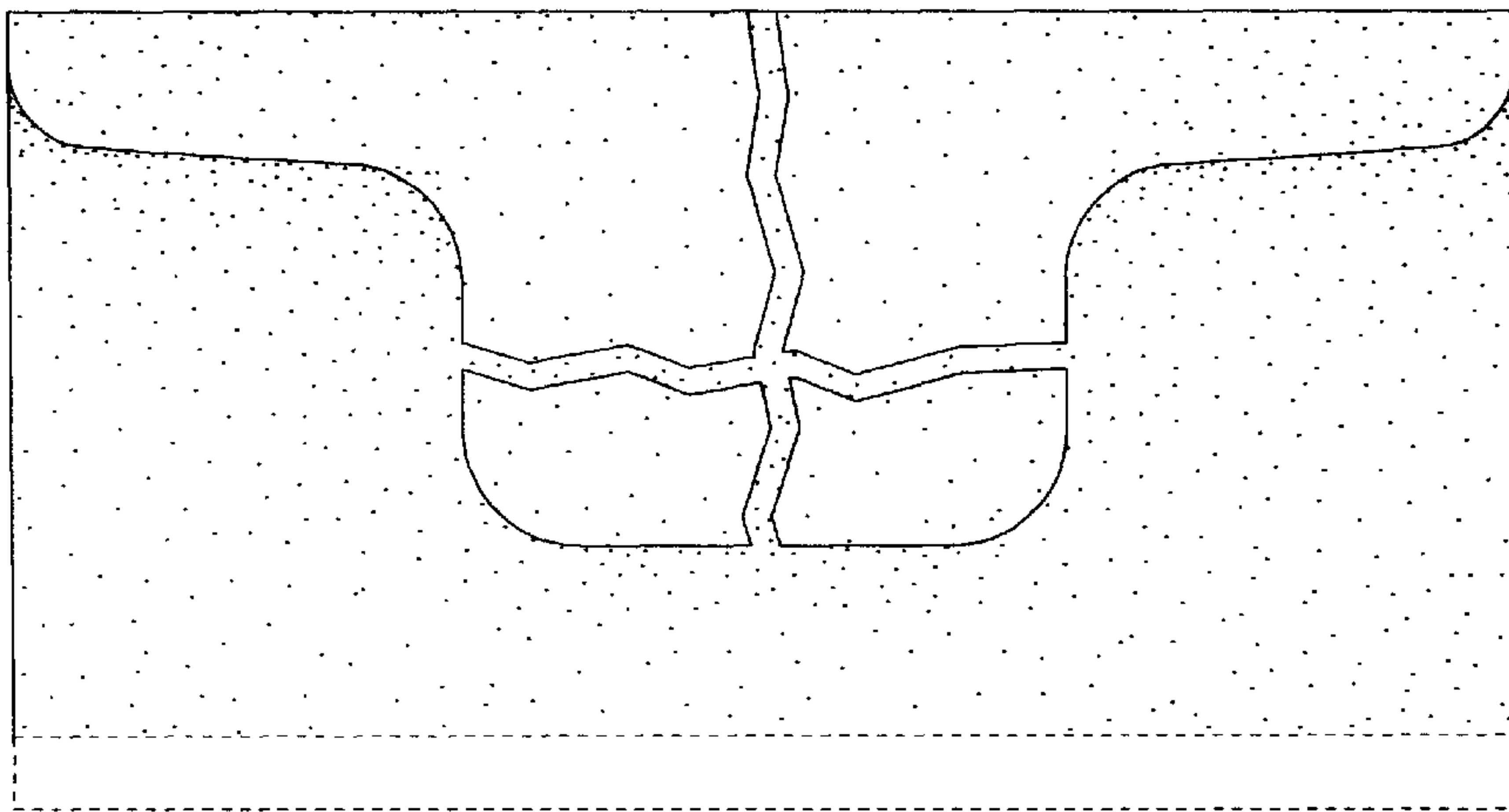


Fig. 8

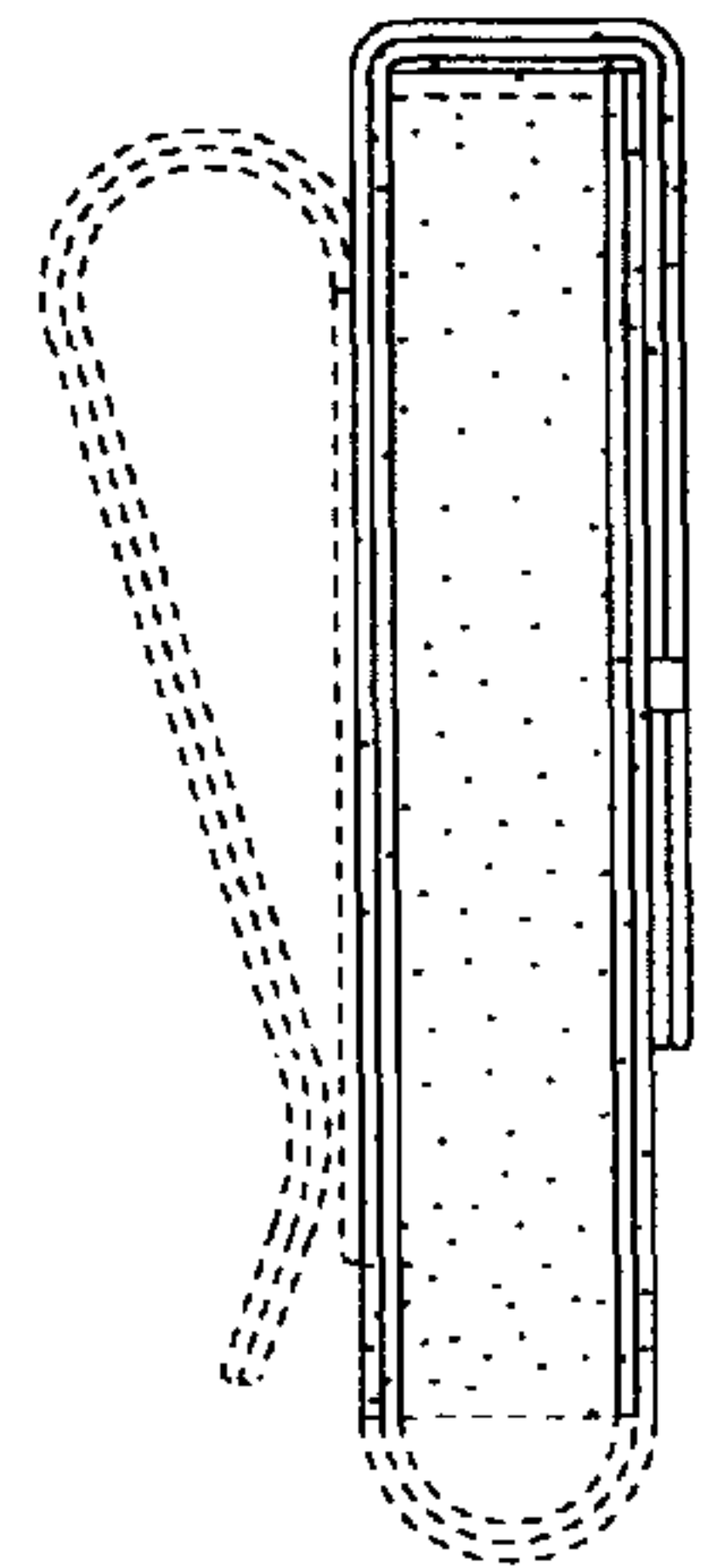


Fig. 9

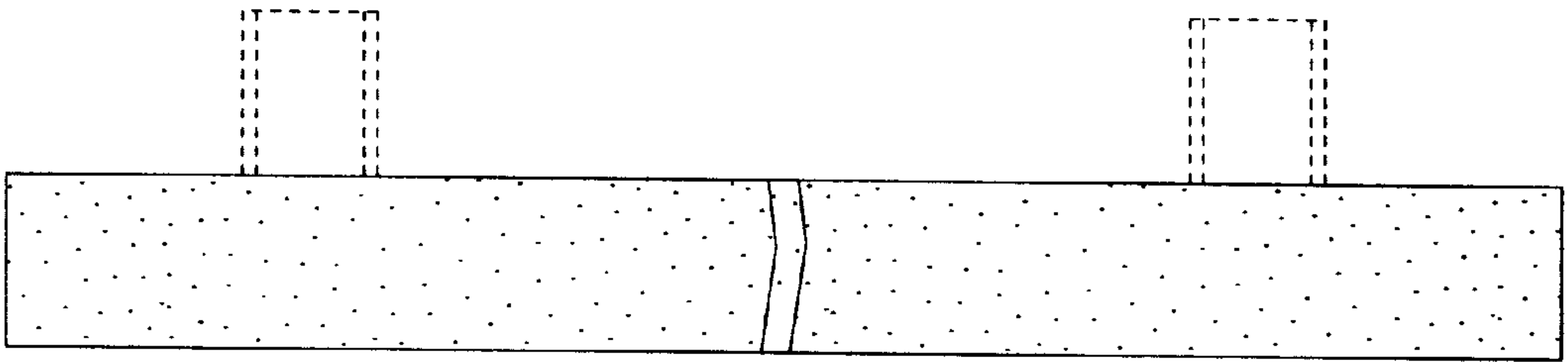


Fig. 10

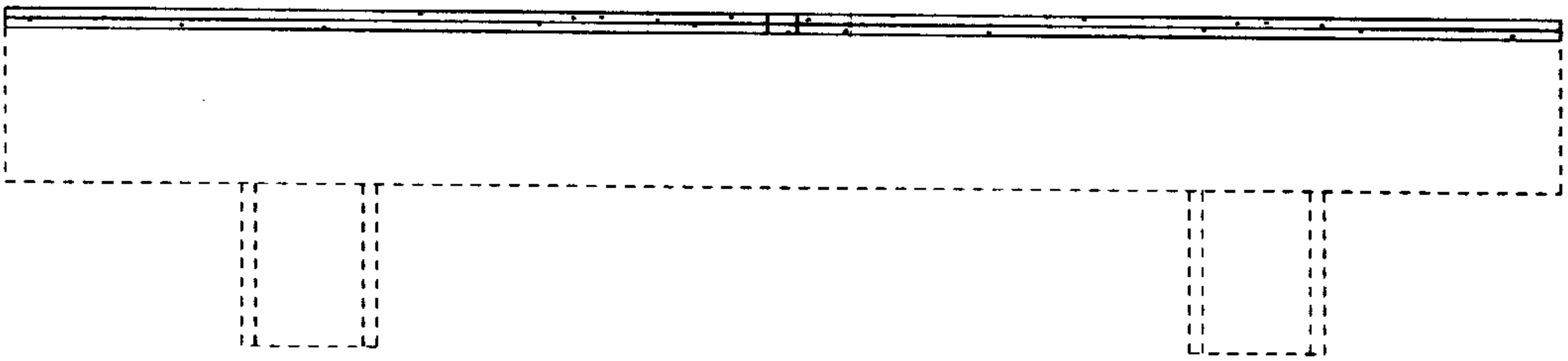


Fig. 11