



US00D445330S

(12) **United States Design Patent**  
**Clarke, III**

(10) **Patent No.:** **US D445,330 S**

(45) **Date of Patent:** **\*\* Jul. 24, 2001**

(54) **ROUND FUEL FILTER CLAM SHELL PACKAGE**

5,029,705 \* 7/1991 Schmidt et al. .... 206/471 X

**OTHER PUBLICATIONS**

(76) Inventor: **John Clarke, III**, 1816 Deepwood Dr., Akron, OH (US) 44313

Techform Inc., Nov. 1982.\*

(\*\*) Term: **14 Years**

\* cited by examiner

(21) Appl. No.: **29/122,145**

*Primary Examiner*—Prabhakar Deshmukh

(22) Filed: **Apr. 19, 2000**

(74) *Attorney, Agent, or Firm*—Calfee, Halter & Griswold LLP

(51) **LOC (7) Cl.** ..... **09-03**

(52) **U.S. Cl.** ..... **D9/415**

(58) **Field of Search** ..... D9/414, 415, 418, D9/428; 206/461–471, 495, 806, 303, 216

(57) **CLAIM**

The ornamental design for a round fuel filter clam shell package, as shown and described.

**DESCRIPTION**

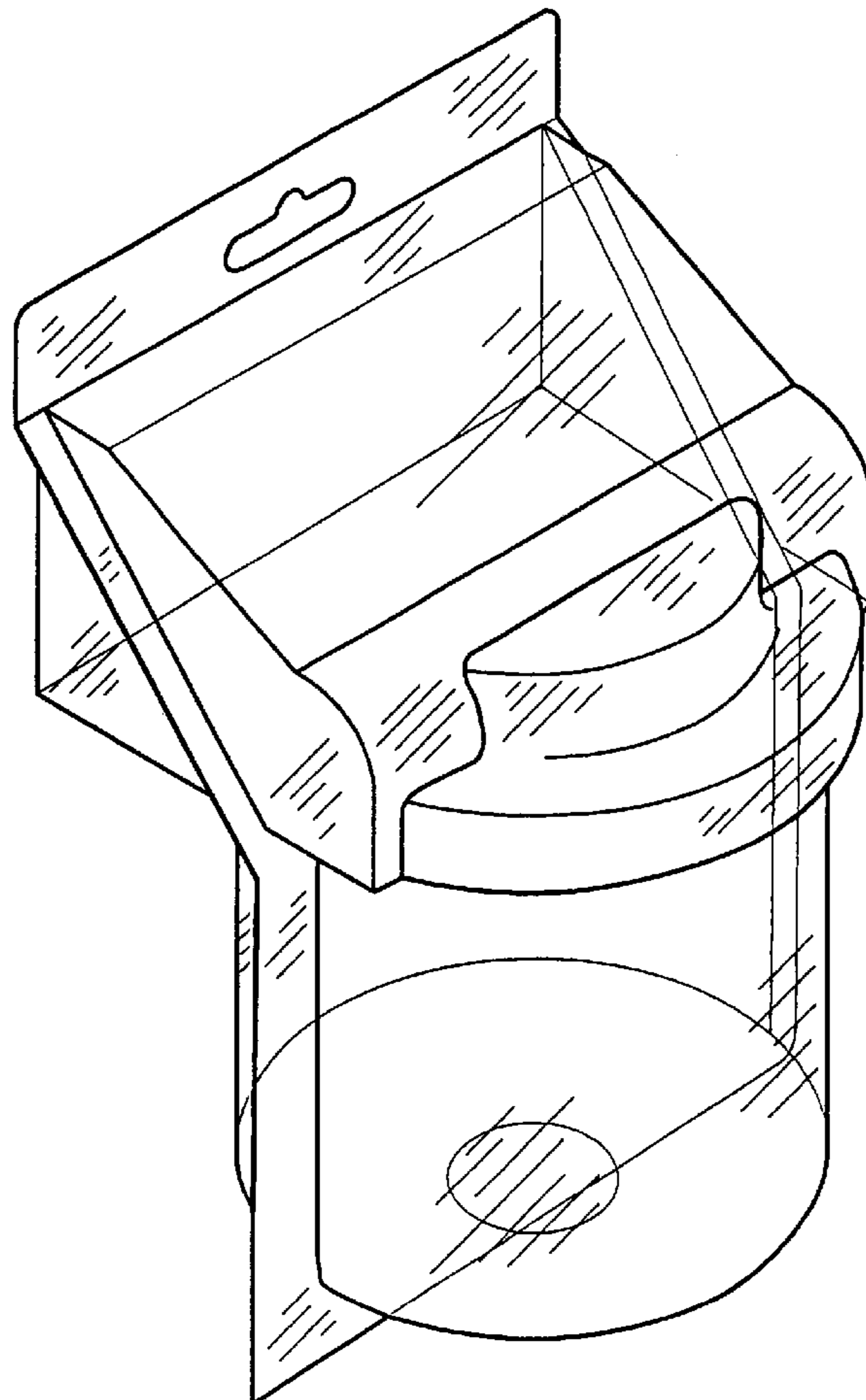
(56) **References Cited**

FIG. 1 is a front view of a round fuel filter clam shell package showing my new design;  
FIG. 2 is a rear view thereof;  
FIG. 3 is a top view thereof;  
FIG. 4 is a bottom view thereof;  
FIG. 5 is a left side view thereof;  
FIG. 6 is right side view thereof; and,  
FIG. 7 is a perspective view thereof.

**U.S. PATENT DOCUMENTS**

- D. 338,619 \* 8/1993 Mylander et al. .... D9/415
- D. 386,078 \* 11/1997 Harper et al. .... D9/415
- D. 408,281 \* 4/1999 Chen ..... D9/415
- 2,905,314 \* 9/1959 Bertram ..... D9/415 X
- 3,504,787 \* 4/1970 Brockway ..... D9/415 X
- 4,058,212 \* 11/1977 Wyslowsky ..... 206/470
- 4,331,237 \* 5/1982 Edell ..... 206/461

**1 Claim, 1 Drawing Sheet**



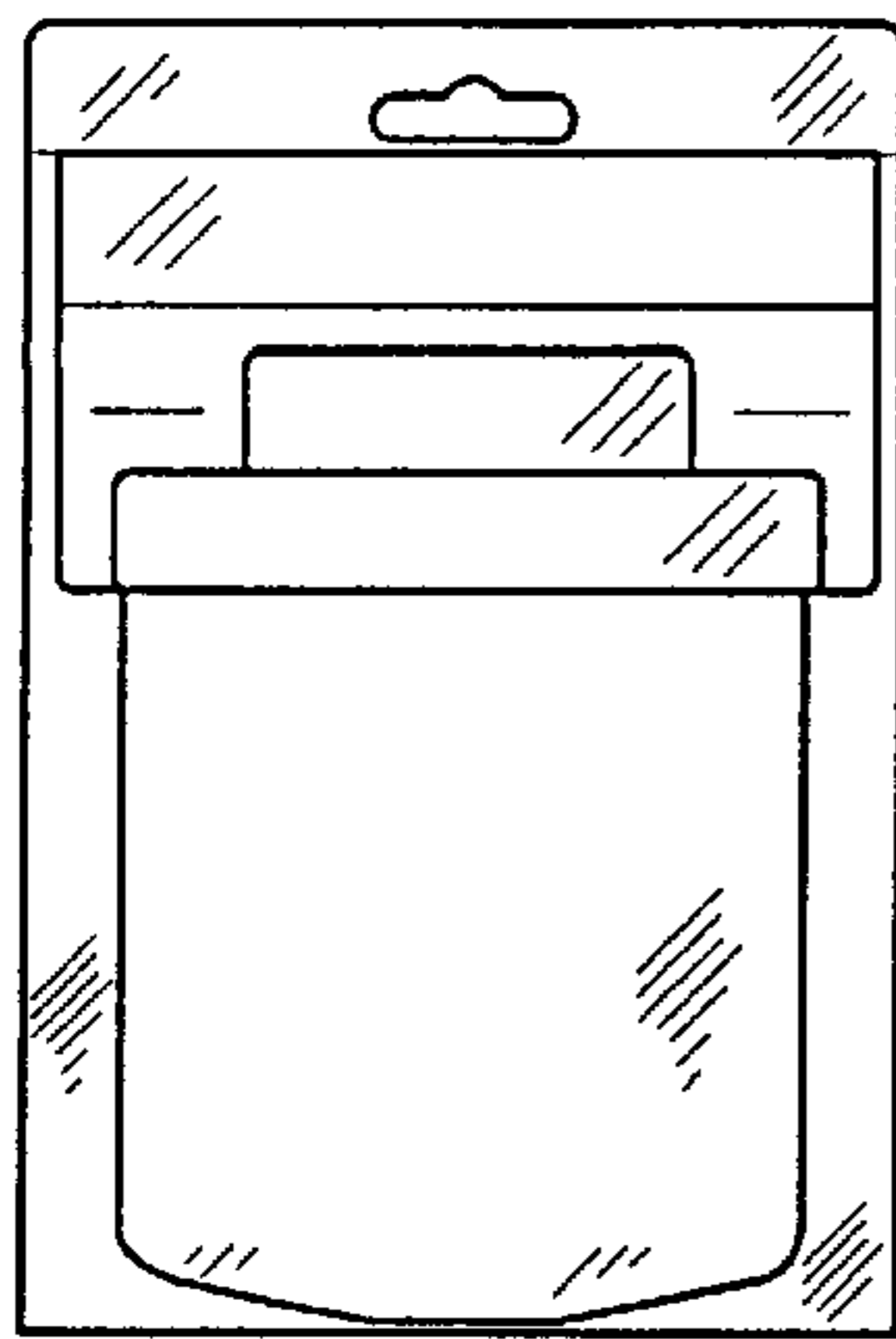


FIG. 1

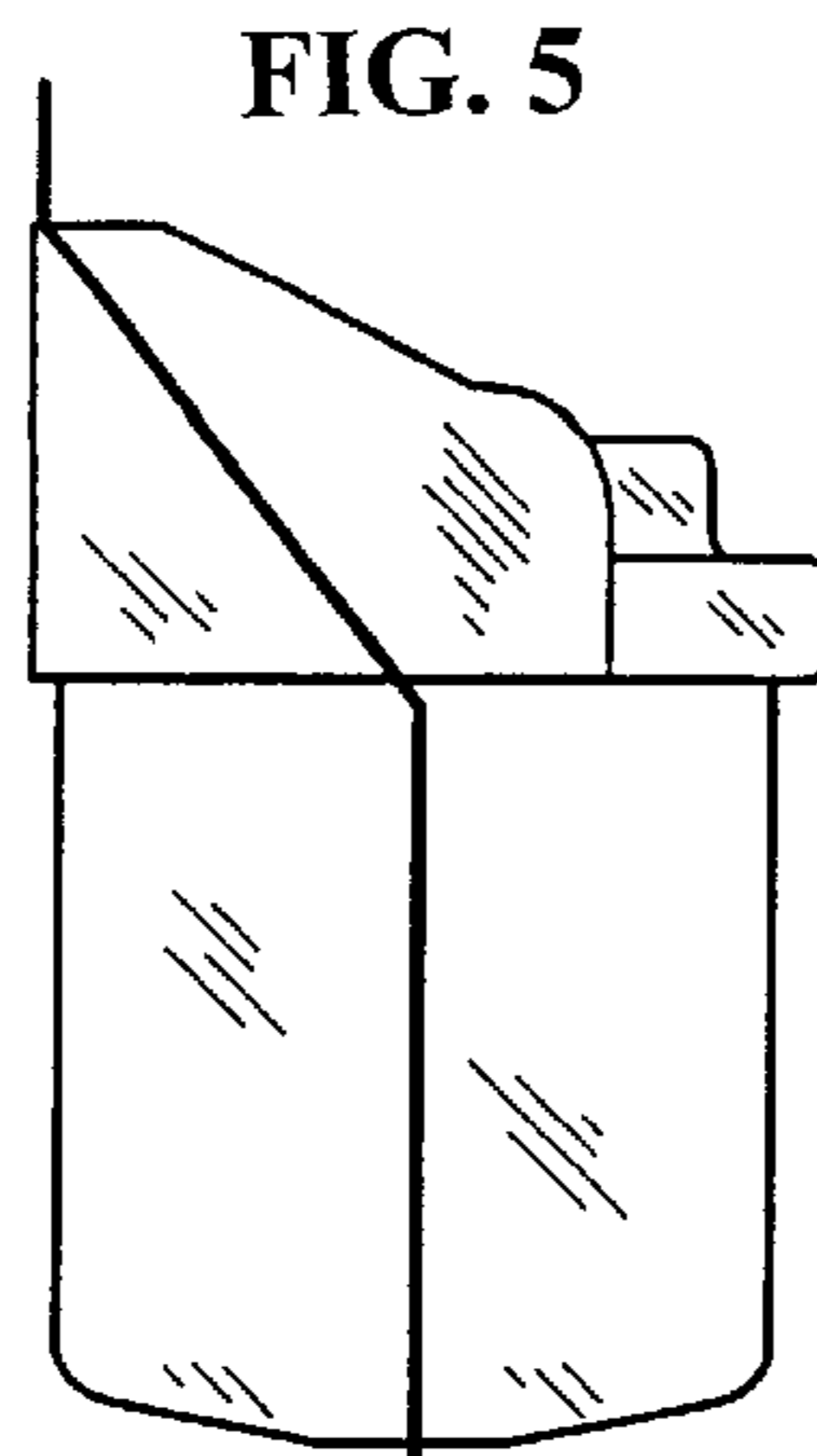


FIG. 5

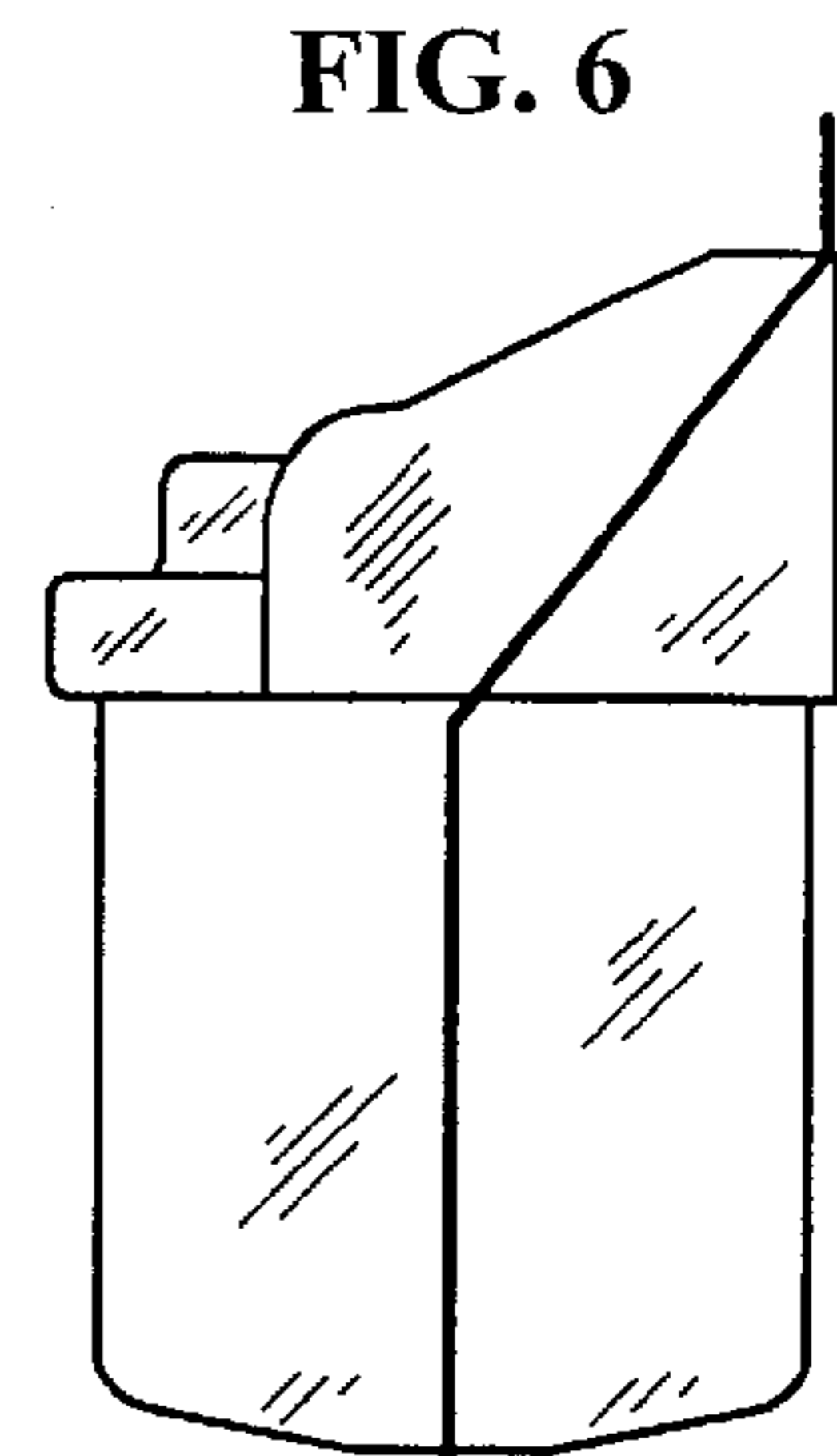


FIG. 6

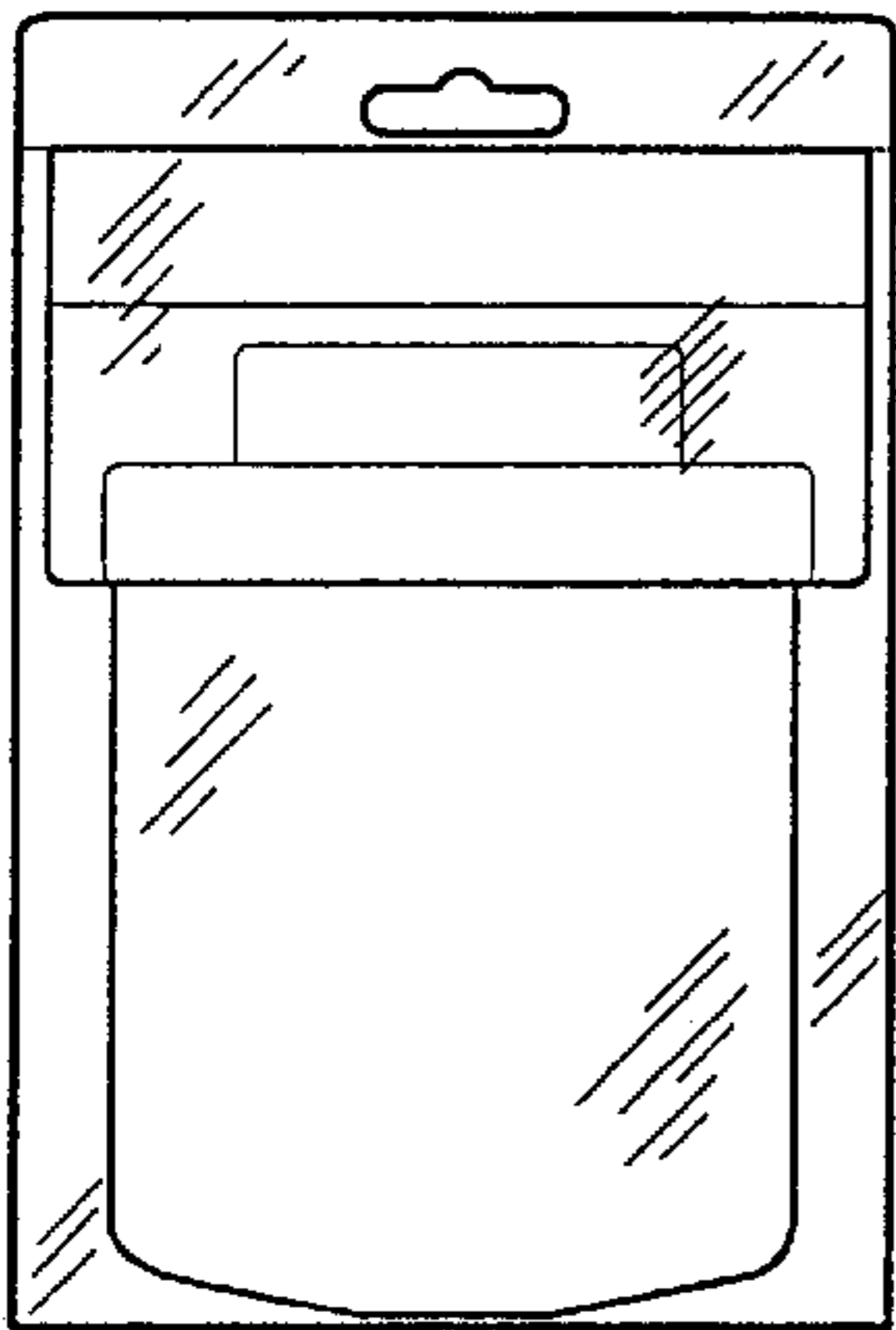


FIG. 2

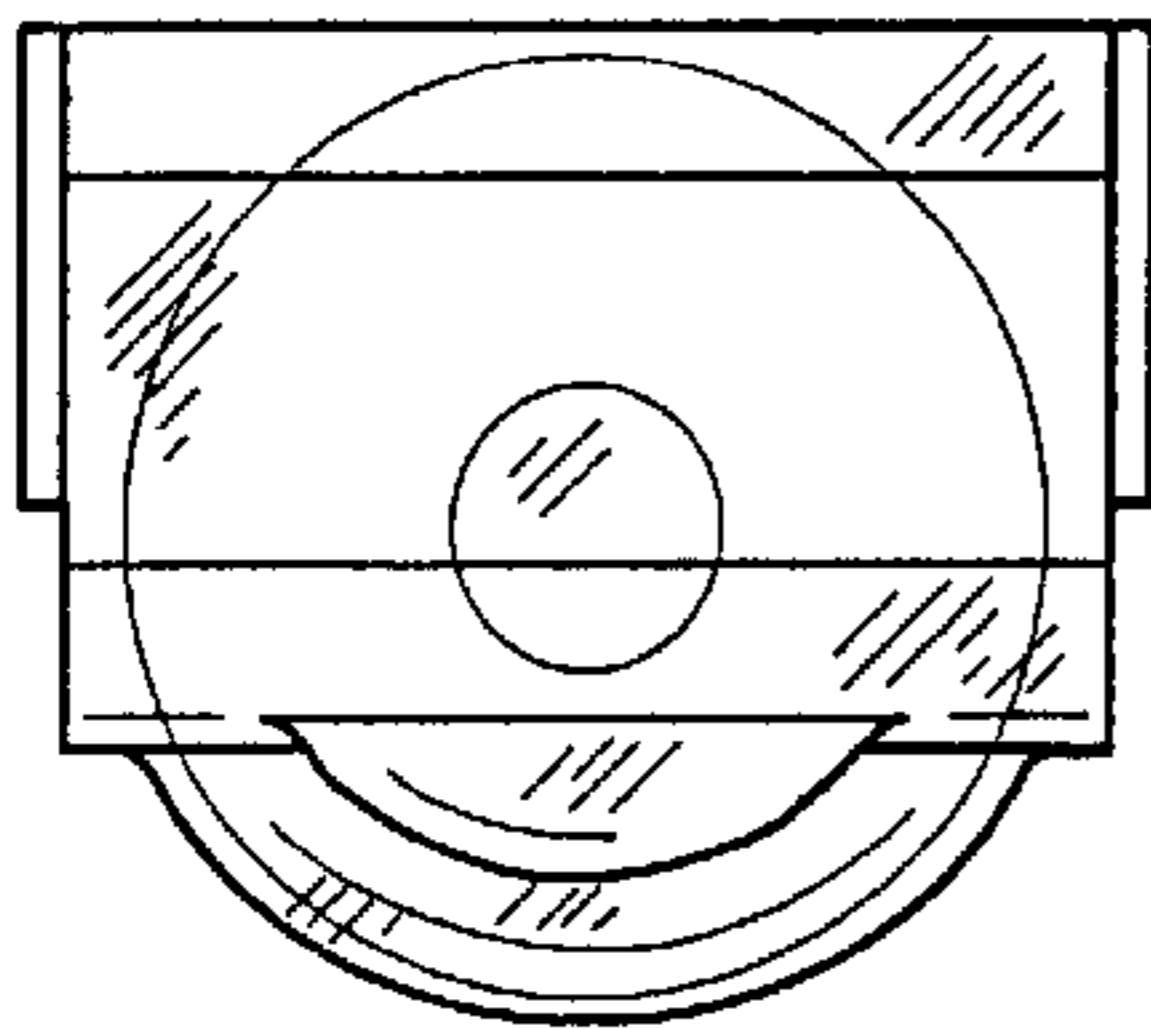


FIG. 3

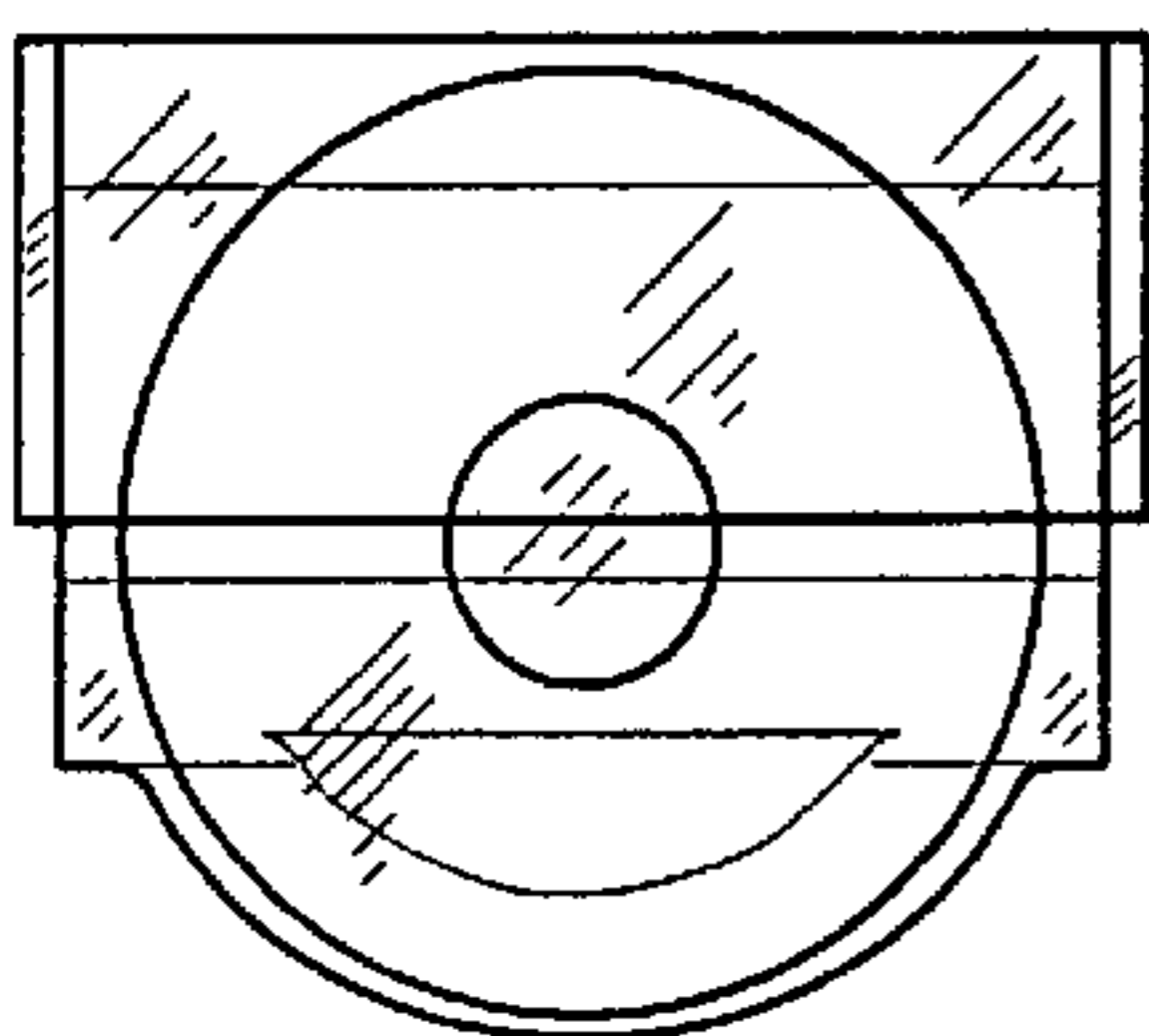


FIG. 4

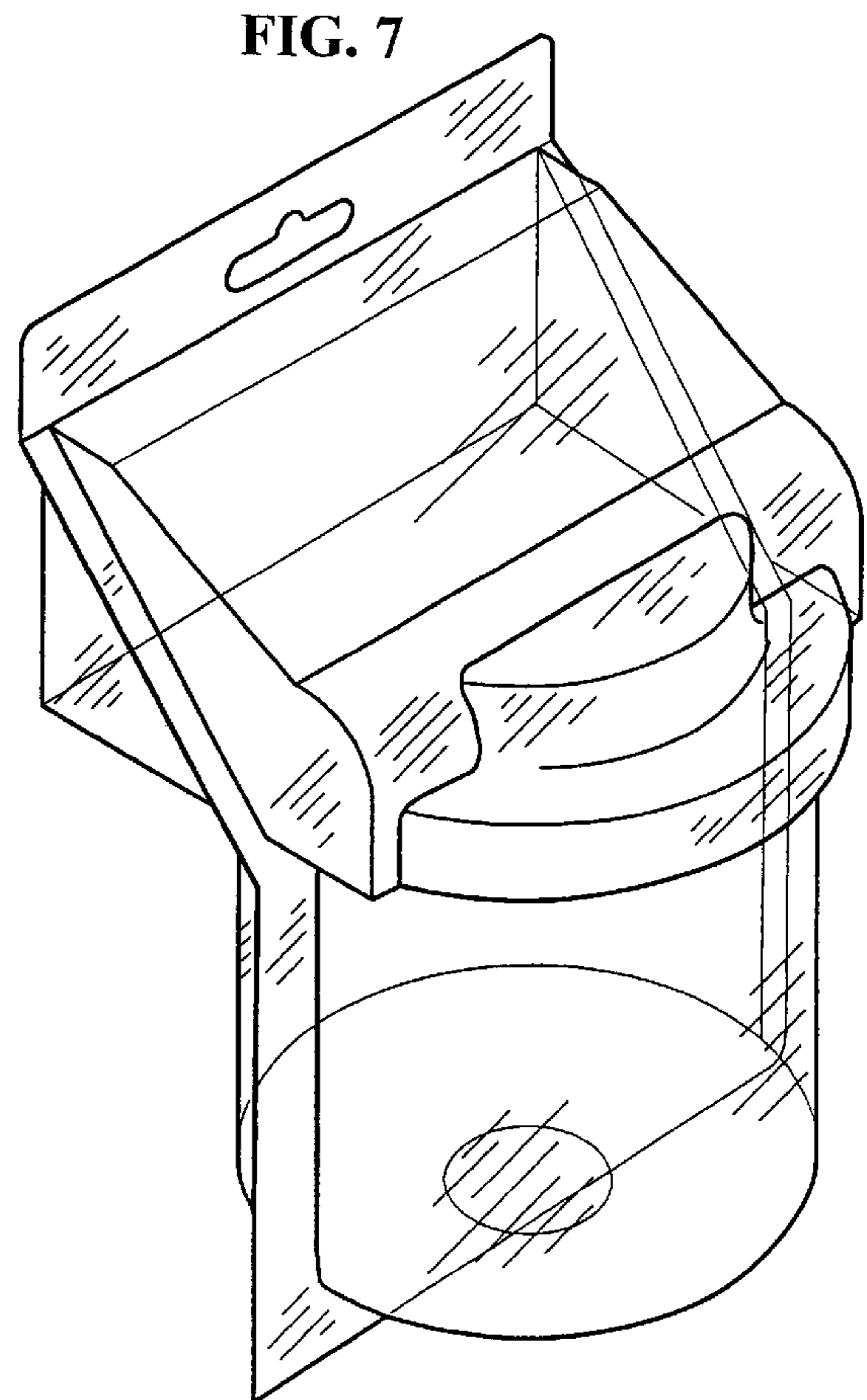


FIG. 7