



US00D445329S

(12) **United States Design Patent**
Zethoff

(10) **Patent No.:** **US D445,329 S**

(45) **Date of Patent:** **** Jul. 24, 2001**

(54) **CONTAINER FOR WIPES**

(75) **Inventor:** **Martin Zethoff, Kelkheim (DE)**

(73) **Assignee:** **The Procter & Gamble Company,**
Cincinnati, OH (US)

(**) **Term:** **14 Years**

(21) **Appl. No.:** **29/126,184**

(22) **Filed:** **Jul. 10, 2000**

(30) **Foreign Application Priority Data**

Jan. 19, 2000 (GB) 2089655

(51) **LOC (7) Cl.** **09-03**

(52) **U.S. Cl.** **D9/310**

(58) **Field of Search** D9/307, 310, 414,
D9/420, 423, 424, 425, 430-432; D3/273;
D7/628; 206/214-216, 425, 494; 220/254,
259, 831

(56) **References Cited**

U.S. PATENT DOCUMENTS

D. 79,532 * 10/1929 Schleicher D9/316

D. 330,161 * 10/1992 Schuh D9/423
D. 363,669 * 10/1995 Pennoyer, Jr. D9/423
5,368,188 * 11/1994 Twardowski 206/494

* cited by examiner

Primary Examiner—Terry A. Wallace

(74) *Attorney, Agent, or Firm*—Thomas J. Osborne; Ken K. Patel

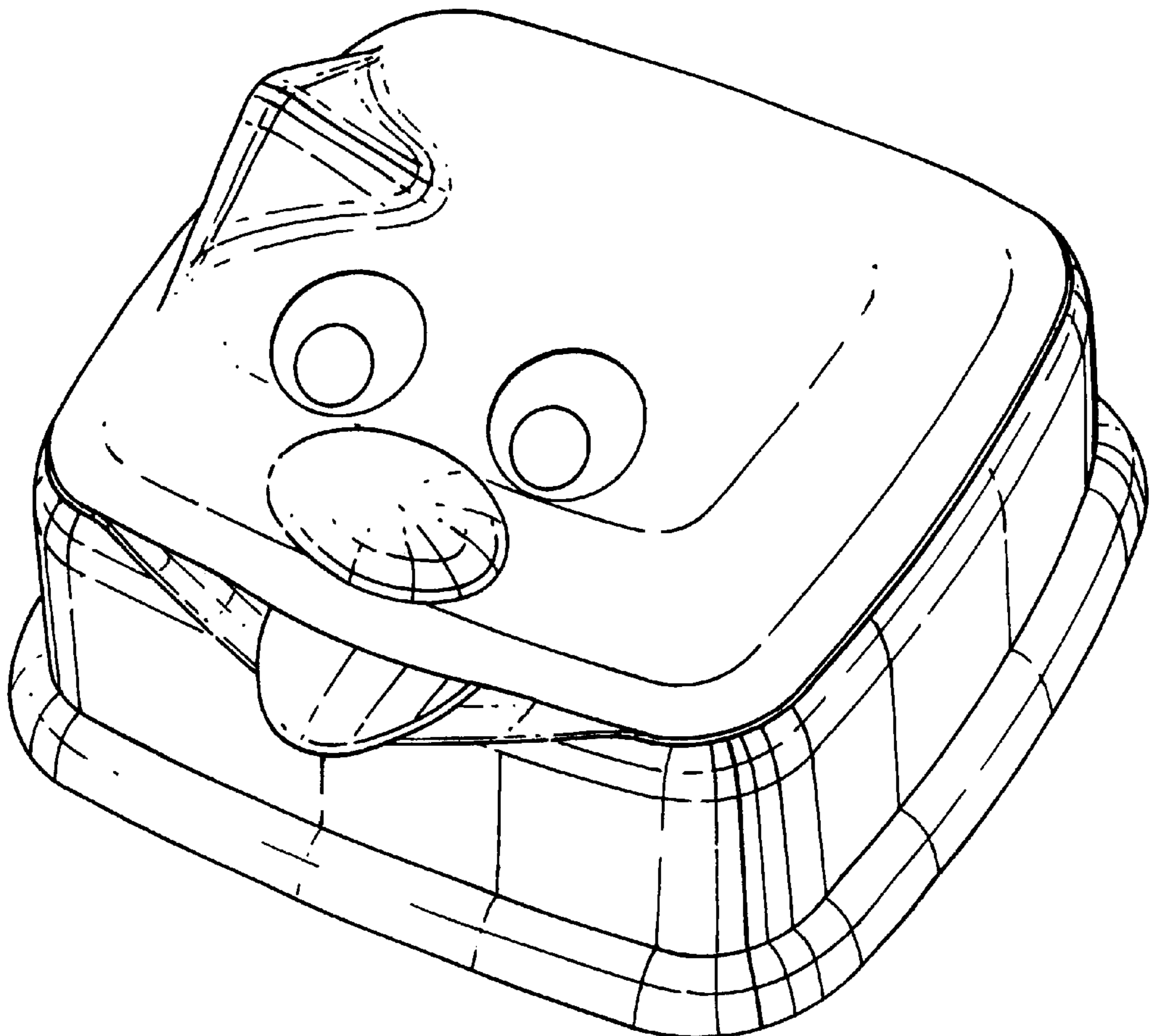
(57) **CLAIM**

The ornamental design for a container for wipes, as shown and described.

DESCRIPTION

FIG. 1 is a perspective view of a container for wipes, embodying my new design;
FIG. 2 is a front elevational view thereof;
FIG. 3 is a top planar view thereof;
FIG. 4 is a left side elevational view thereof;
FIG. 5 is a right side elevational view thereof;
FIG. 6 is a rear elevational view thereof; and,
FIG. 7 is a bottom planar view thereof.

1 Claim, 4 Drawing Sheets



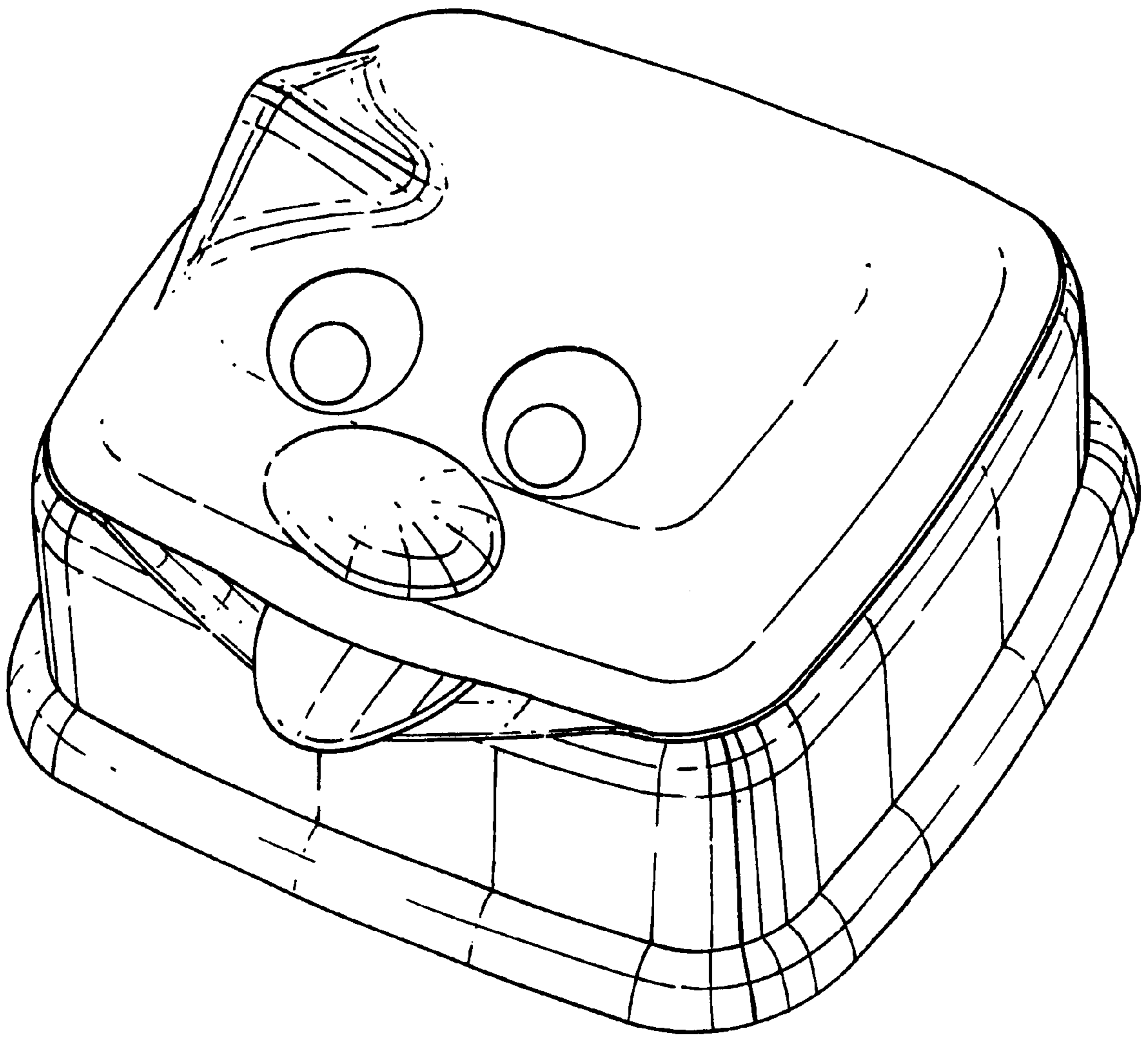


Fig. 1.

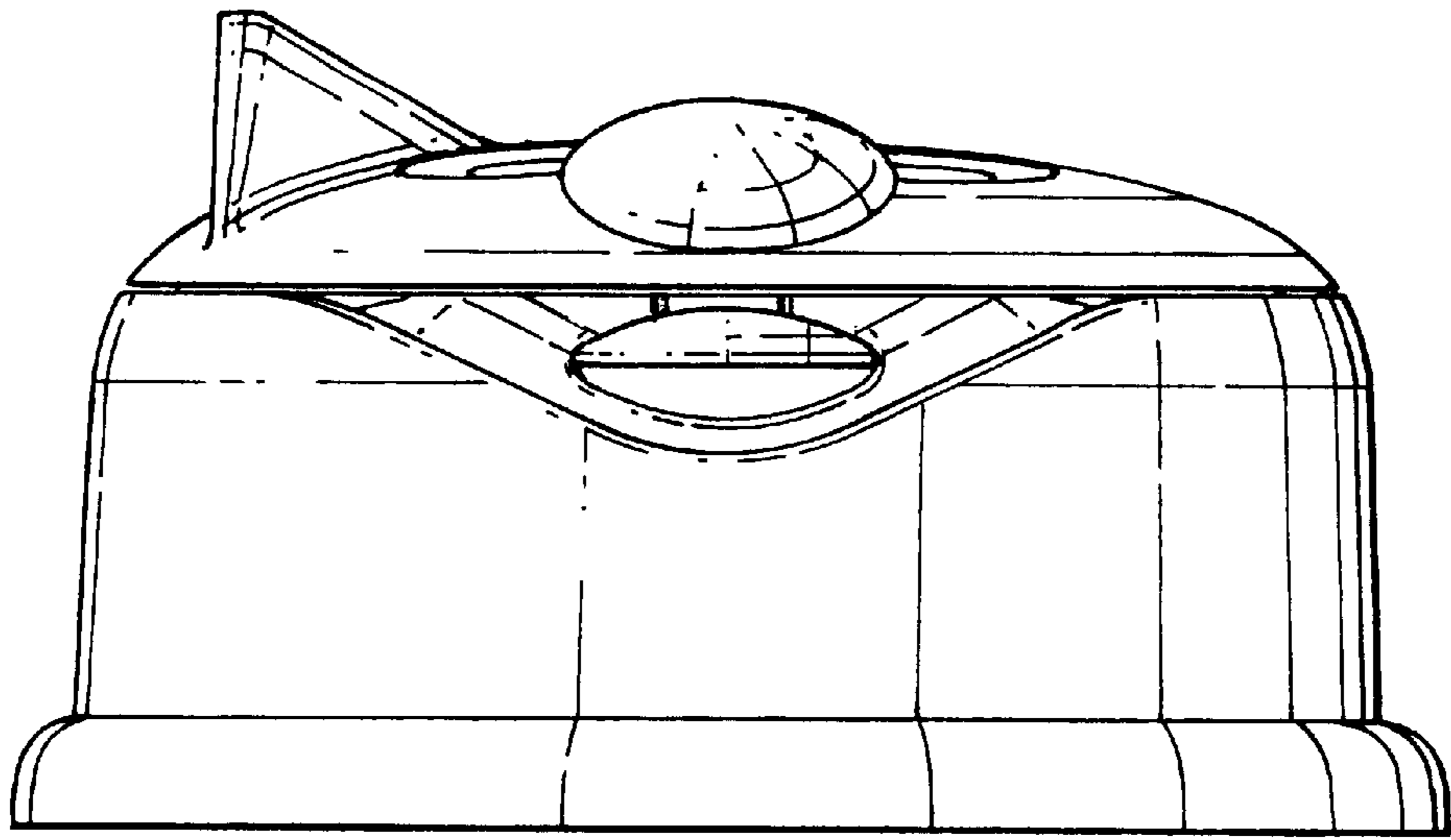


Fig.2.

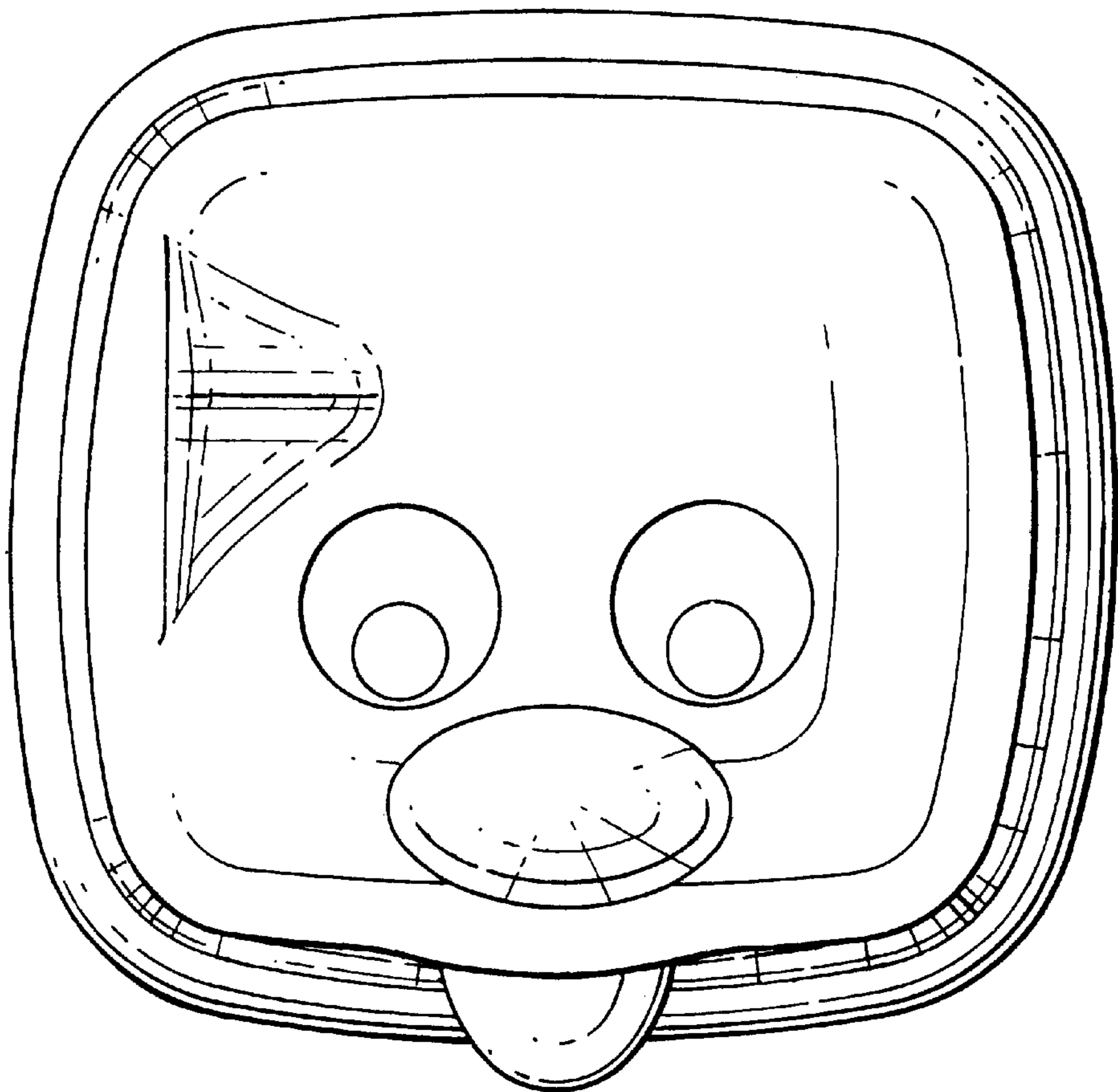


Fig.3.

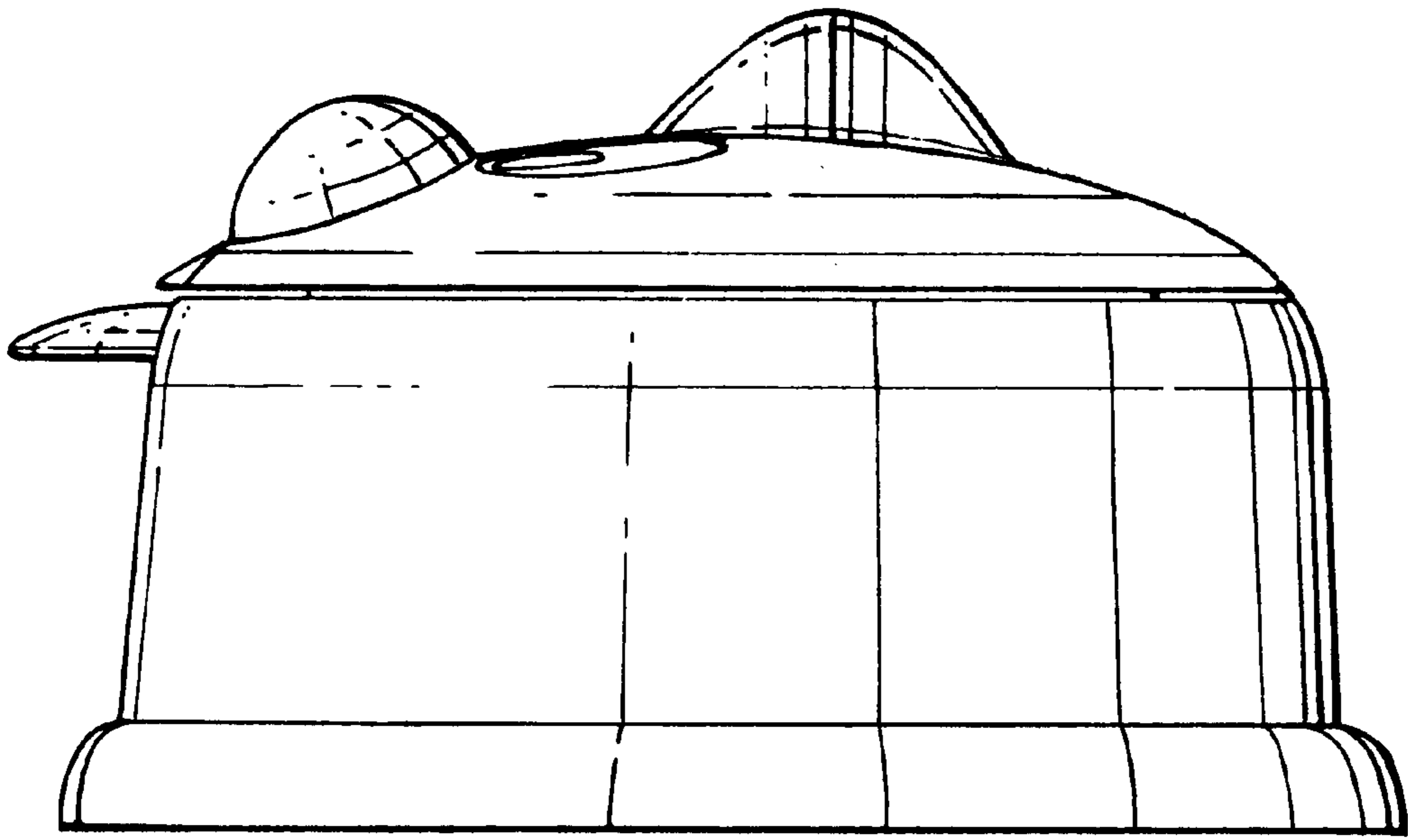


Fig.4.

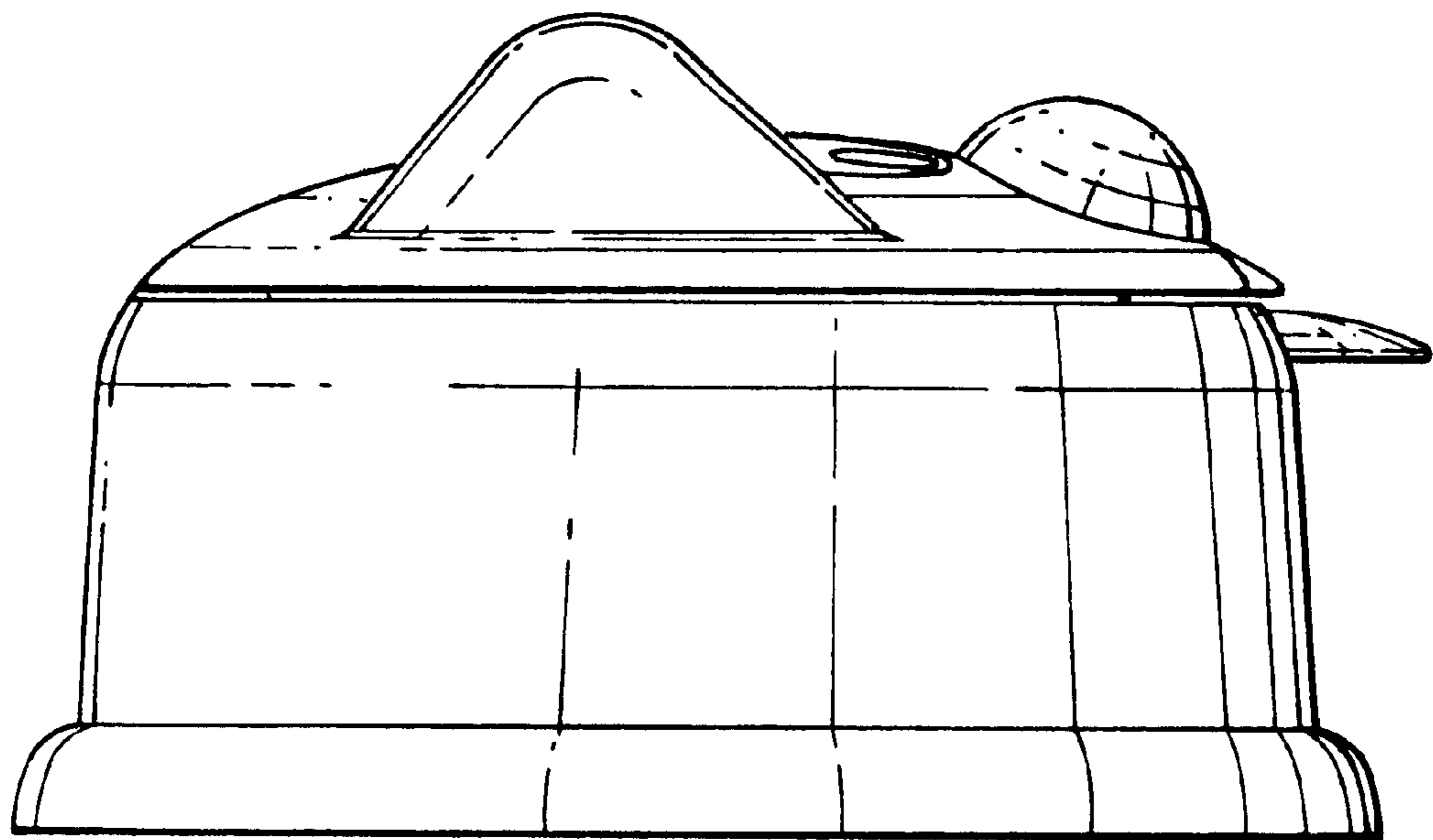


Fig.5.

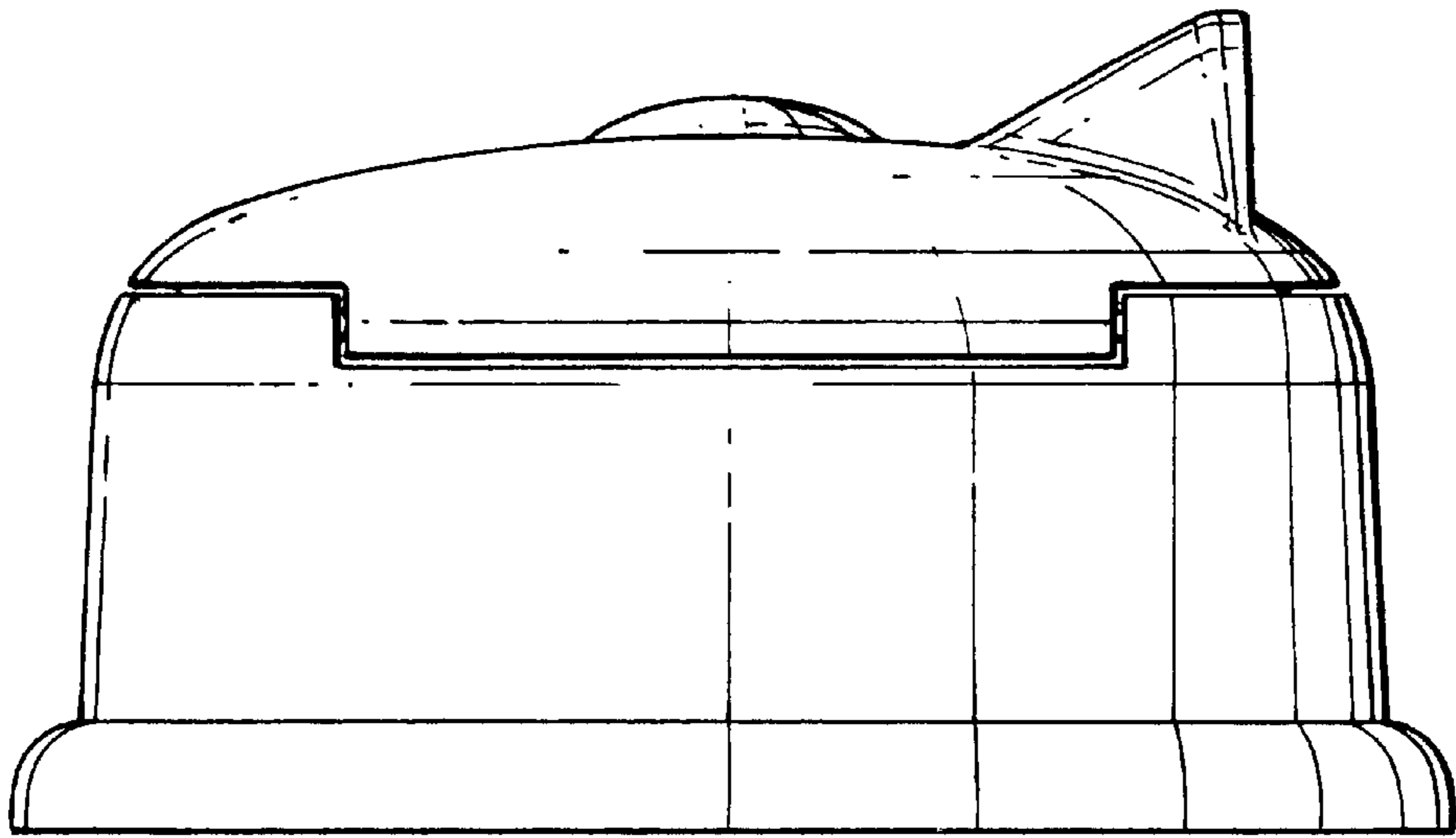


Fig.6.

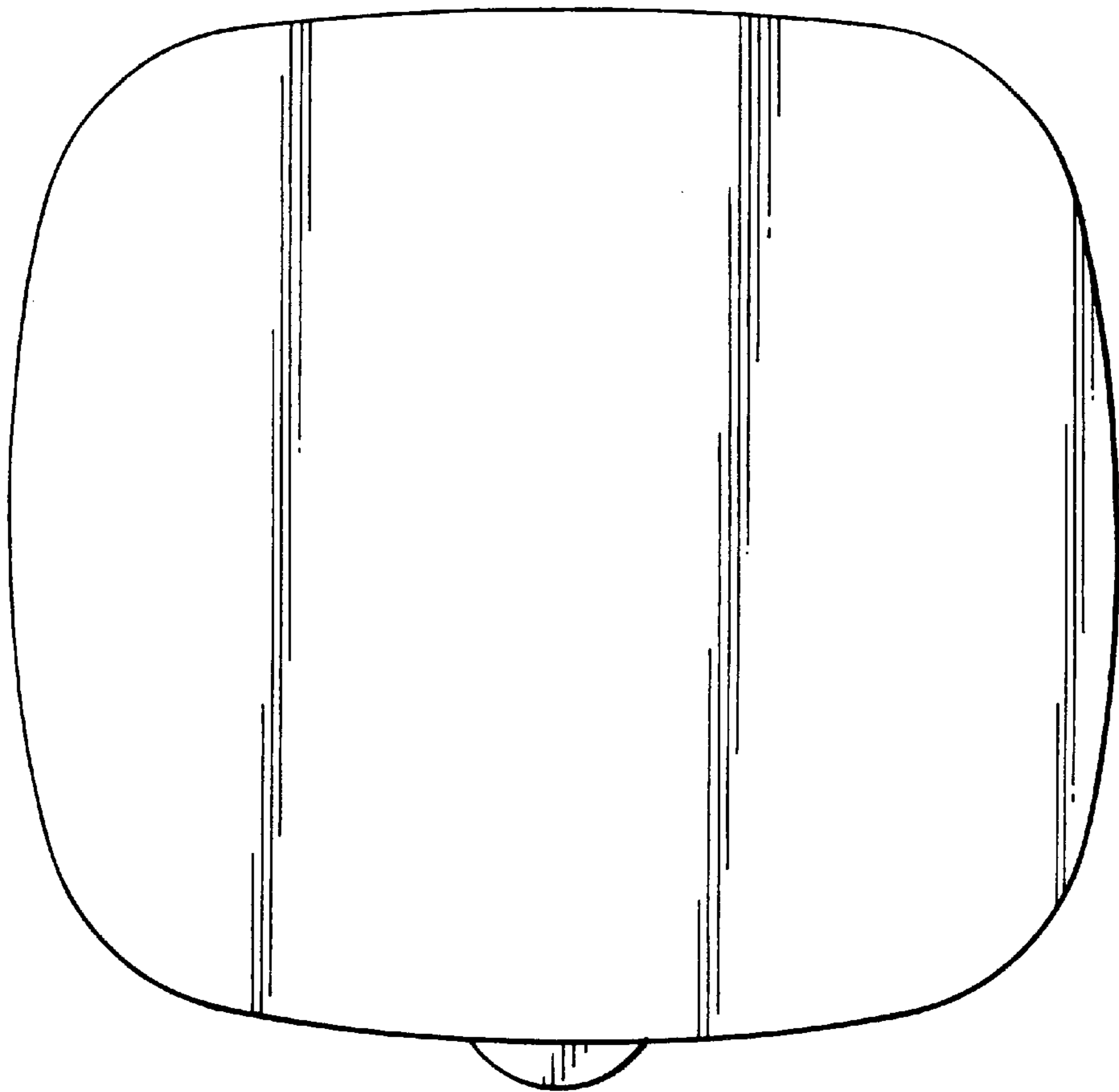


Fig.7.