



US00D445327S

(12) **United States Design Patent**
Emms

(10) **Patent No.:** **US D445,327 S**

(45) **Date of Patent:** **** Jul. 24, 2001**

(54) **JOINTING ELEMENT**

(75) Inventor: **Philip John Emms, Whiterock (AU)**

(73) Assignee: **Morinda Aust. Pty Ltd., Queensland (AU)**

(**) Term: **14 Years**

(21) Appl. No.: **29/101,799**

(22) Filed: **Mar. 10, 1999**

(30) **Foreign Application Priority Data**

Sep. 10, 1998 (AU) 2805/98

(51) **LOC (7) Cl.** **08-08**

(52) **U.S. Cl.** **D8/382**

(58) **Field of Search** D8/382; D25/61,
D25/133, 199; 52/92.2, 93.1, 93.2, 289,
655.1, 702, 712; 403/232.1, 403, 364

(56) **References Cited**

U.S. PATENT DOCUMENTS

- D. 288,288 * 2/1987 Hentzschel et al. D8/382
- 1,591,869 * 7/1926 Wiedman 403/403

- 1,652,612 * 12/1927 Daniels 403/364
- 3,333,875 * 8/1967 Tracy 52/655.1
- 3,414,300 * 12/1968 Spane 52/93.1
- 5,156,484 * 10/1992 Allen 403/403
- 5,274,981 * 1/1994 Commins 52/712
- 5,524,397 * 6/1996 Byers et al. 52/92.2
- 5,660,005 * 8/1997 Tacoma 52/93.2
- 5,983,577 * 11/1999 Hays 52/92.2

* cited by examiner

Primary Examiner—Alan P. Douglas

Assistant Examiner—Clare E. Heflin

(74) *Attorney, Agent, or Firm*—Young & Thompson

(57) **CLAIM**

The ornamental design for a jointing element, as shown and described.

DESCRIPTION

FIG. 1 is a front perspective view of a jointing element showing my new design; and, FIG. 2 is a rear perspective view thereof. The bottom surface not shown in the drawing figures forms no part of the claimed design.

1 Claim, 1 Drawing Sheet

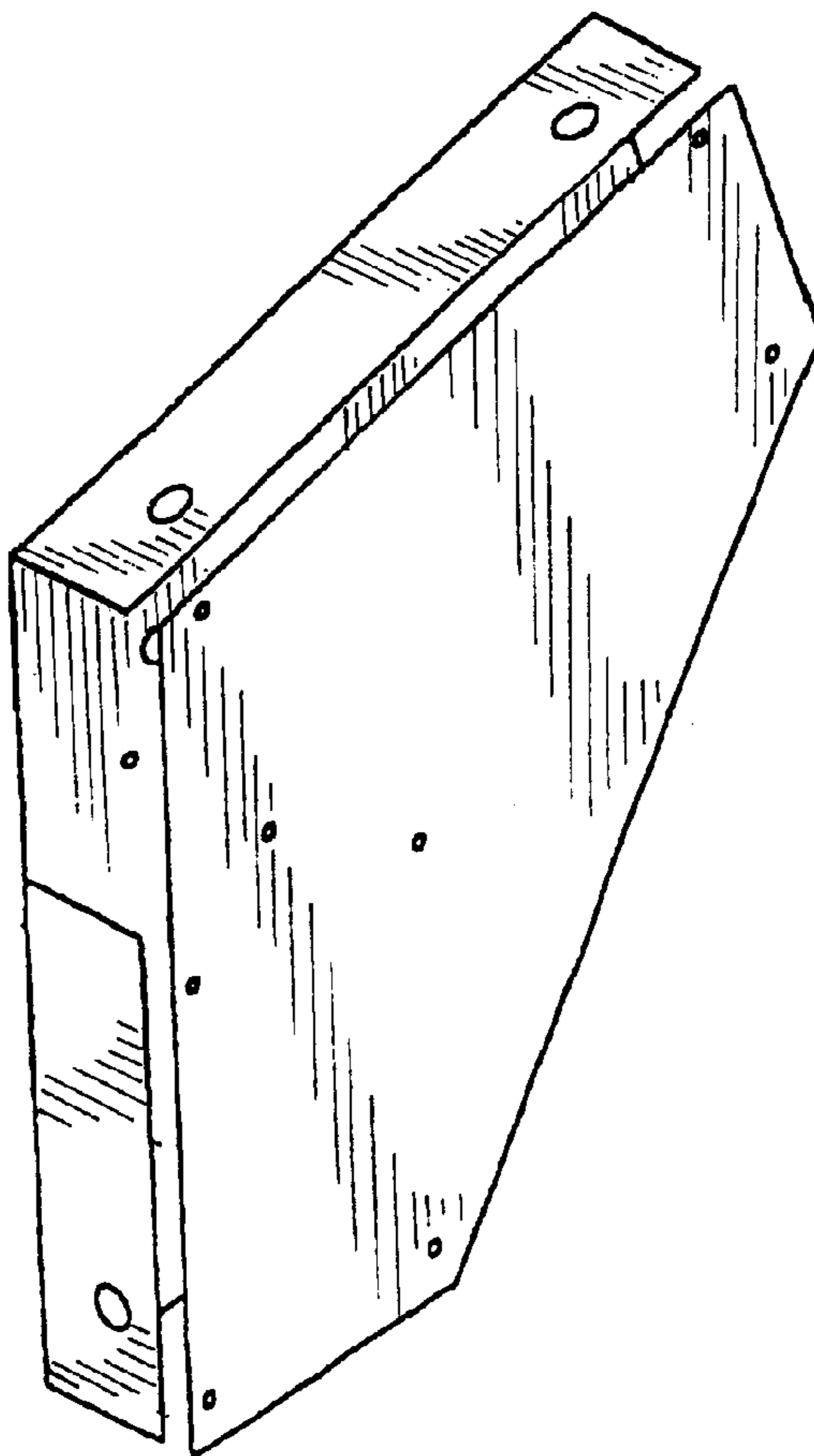


FIG. 1

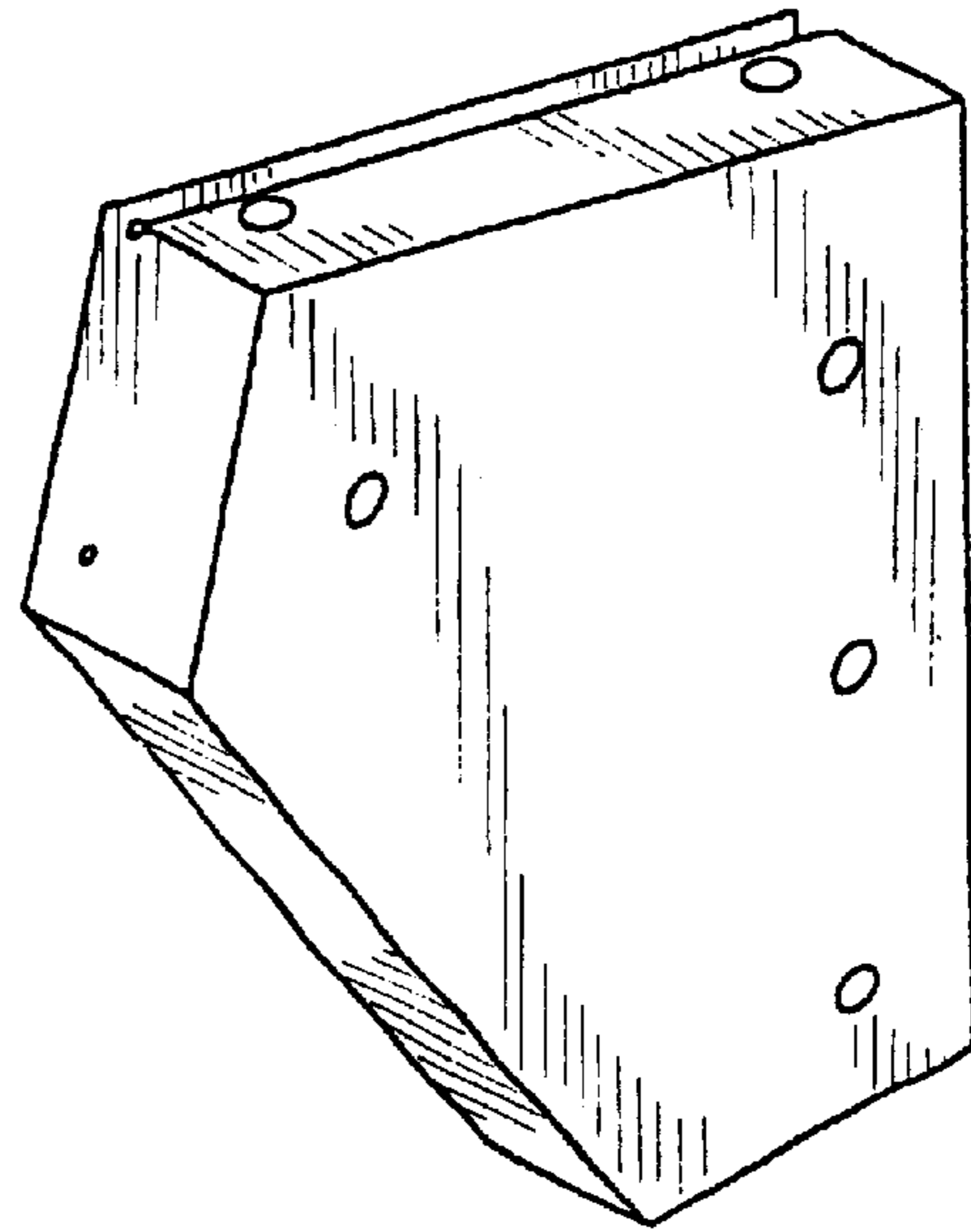


FIG. 2

