



US00D445326S

(12) **United States Design Patent**
Alfaro

(10) **Patent No.:** **US D445,326 S**

(45) **Date of Patent:** **** Jul. 24, 2001**

(54) **TOOL HANDLE WITH PAD**

(75) Inventor: **Charlie N. Alfaro**, Beaverton, OR (US)

(73) Assignee: **Alterra Holdings Corporation**

(**) Term: **14 Years**

(21) Appl. No.: **29/125,118**

(22) Filed: **Jun. 19, 2000**

(51) **LOC (7) Cl.** **08-05**

(52) **U.S. Cl.** **D8/107; D8/52; D8/55**

(58) **Field of Search** D8/51, 52, 54,
D8/55, 105, 107, 99; 30/34, 143, 153, 155;
7/118, 119, 125, 127, 128, 129, 132, 158,
165, 167, 168; 81/305

(56) **References Cited**

U.S. PATENT DOCUMENTS

D. 382,182	8/1997	Seber et al.	D8/55
D. 397,017	* 8/1998	Pardue	D8/99
D. 407,291	* 3/1999	Knoop	D8/99
D. 422,480	* 4/2000	McHenry et al.	D8/107
D. 431,991	* 10/2000	Elishewitz	D8/99
4,669,140	6/1987	Miceli	30/153
4,722,140	2/1988	Miceli	30/153
5,245,721	9/1993	Lowe et al.	7/129
5,791,002	8/1998	Gardiner et al.	7/128

* cited by examiner

Primary Examiner—Alan P. Douglas

Assistant Examiner—Clare E. Heflin

(74) *Attorney, Agent, or Firm*—Foley & Lardner

(57) **CLAIM**

I claim the ornamental design for a tool handle with pad, as shown and described.

DESCRIPTION

FIG. 1 is a perspective view of a tool handle with pad according to a preferred embodiment.

FIG. 2 is a top plan view of the tool handle with pad.

FIG. 3 is a front elevation view of the tool handle with pad.

FIG. 4 is a rear elevation view of the tool handle with pad.

FIG. 5 is a right side elevation view of the tool handle with pad.

FIG. 6 is a left side elevation view of the tool handle with pad.

FIG. 7 is a perspective view of the tool handle with pad in the open position.

FIG. 8 is a top plan view of the tool handle with pad of FIG. 7.

FIG. 9 is a front elevation view of the tool handle with pad of FIG. 7.

FIG. 10 is a right side elevation view of the tool handle with pad of FIG. 7; and,

FIG. 11 is a left side elevation view of the tool handle with pad of FIG. 7.

The broken line disclosure is for illustrative purposes only and forms no part of the claimed design.

1 Claim, 4 Drawing Sheets

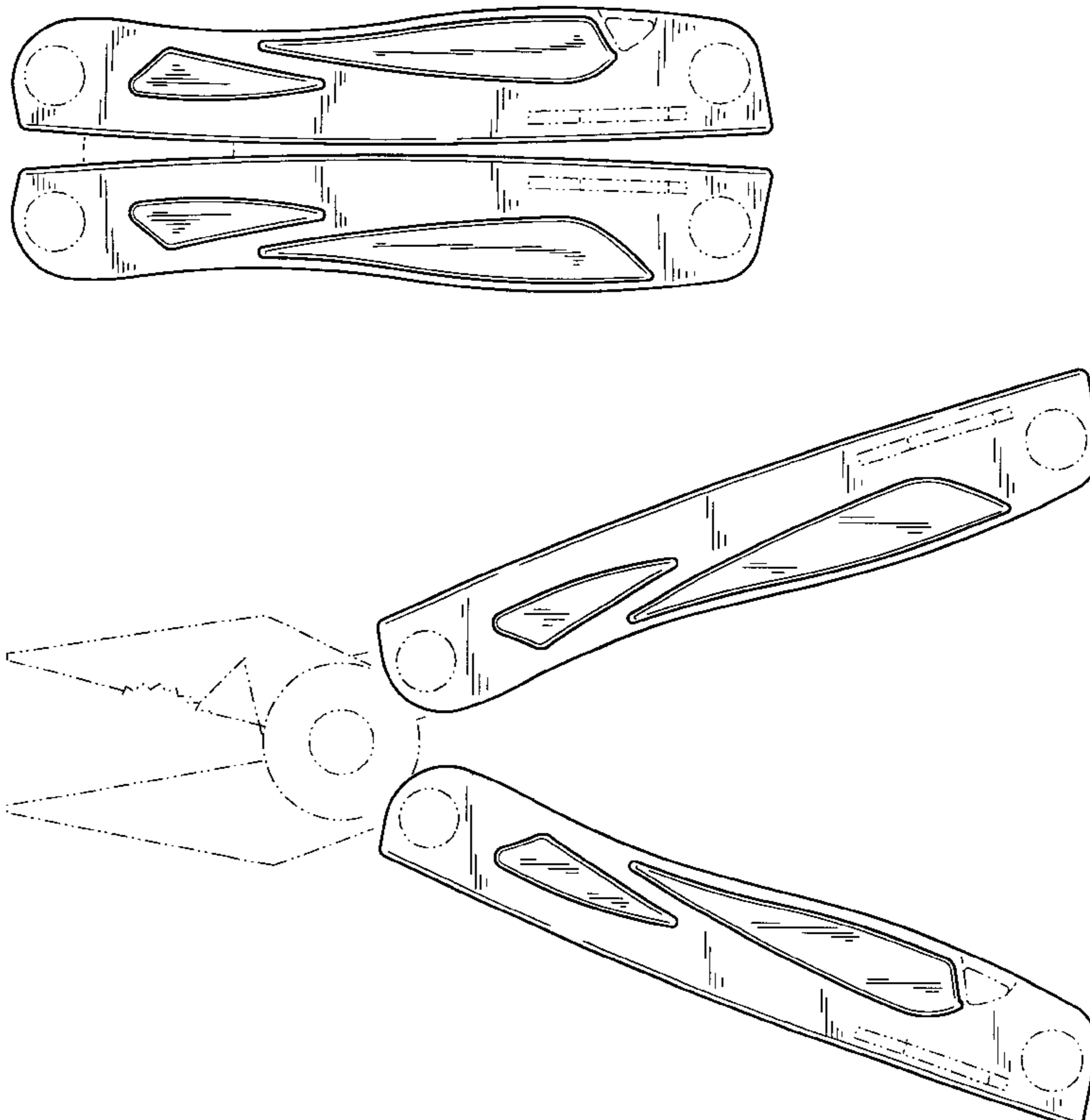


FIG. 1

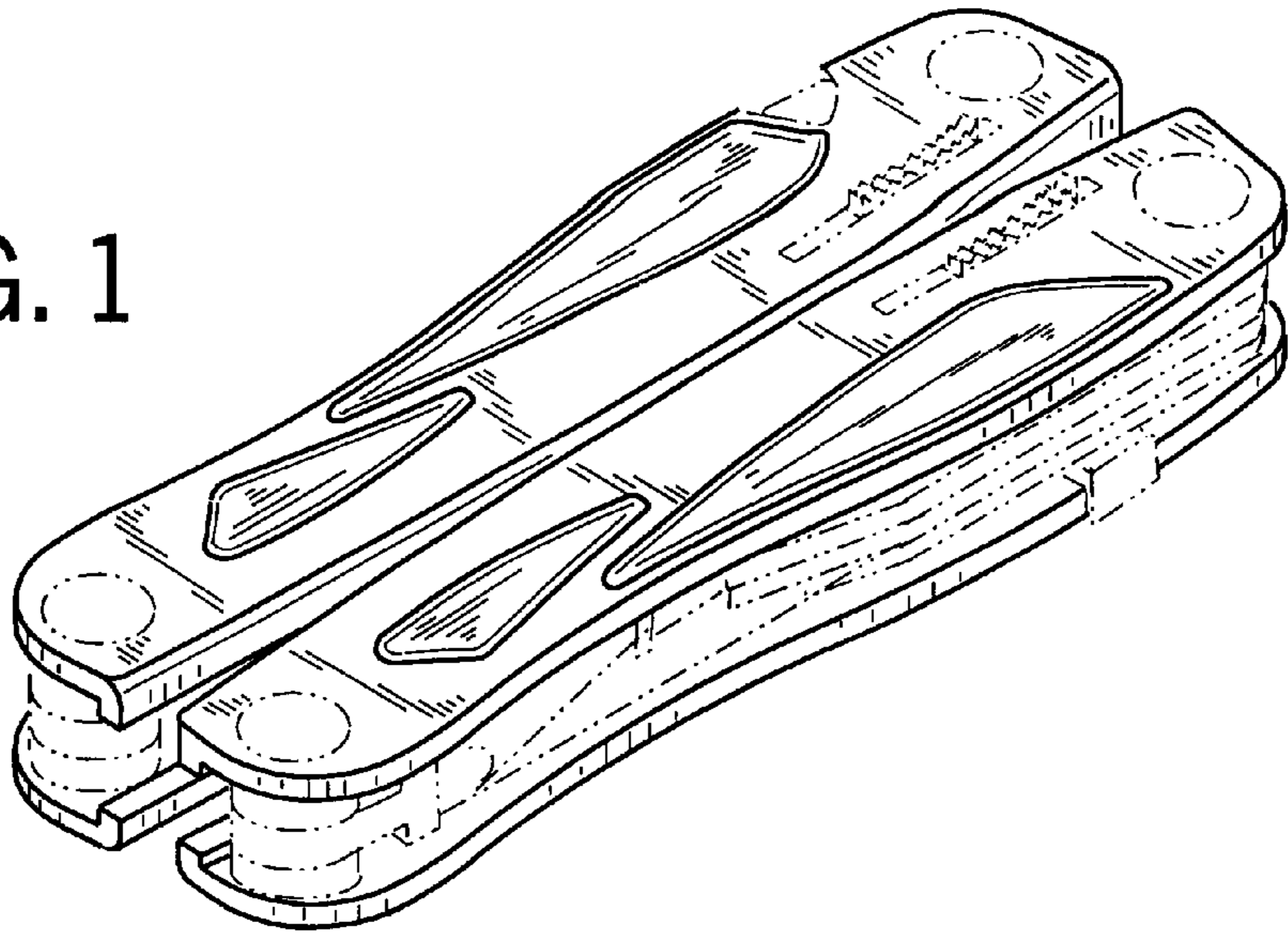


FIG. 2

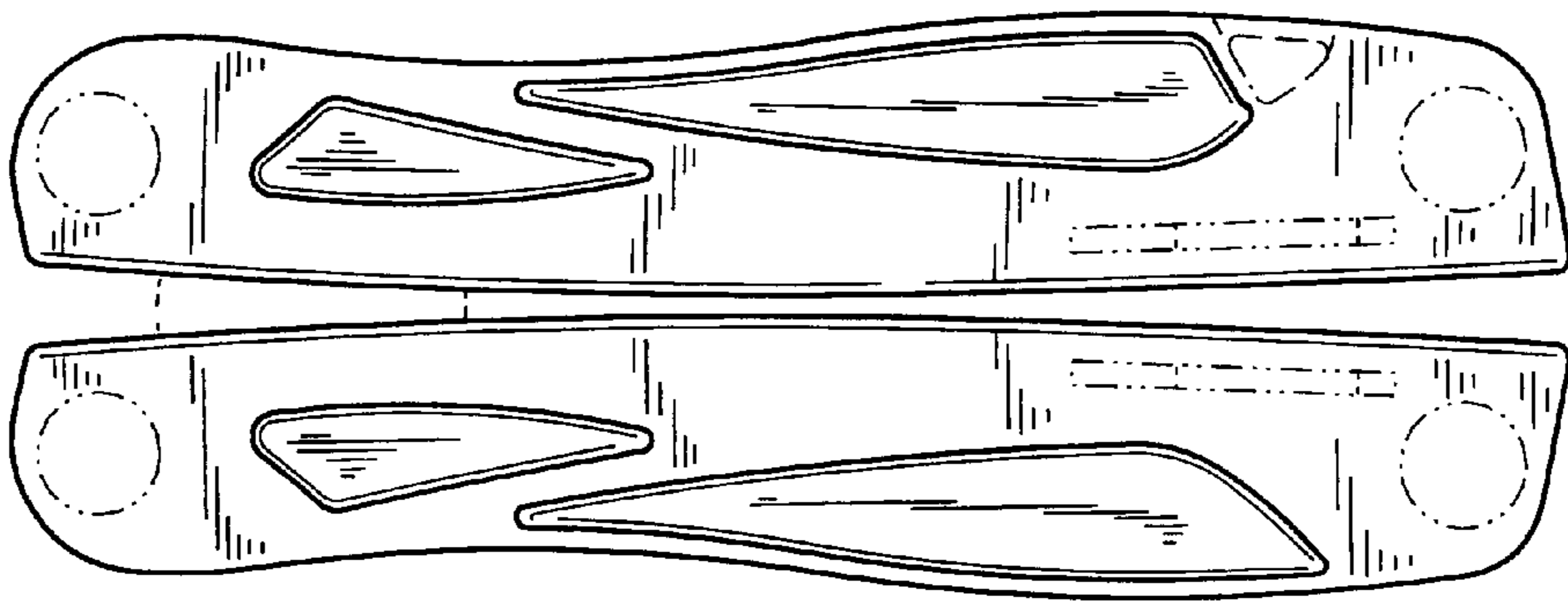


FIG. 3

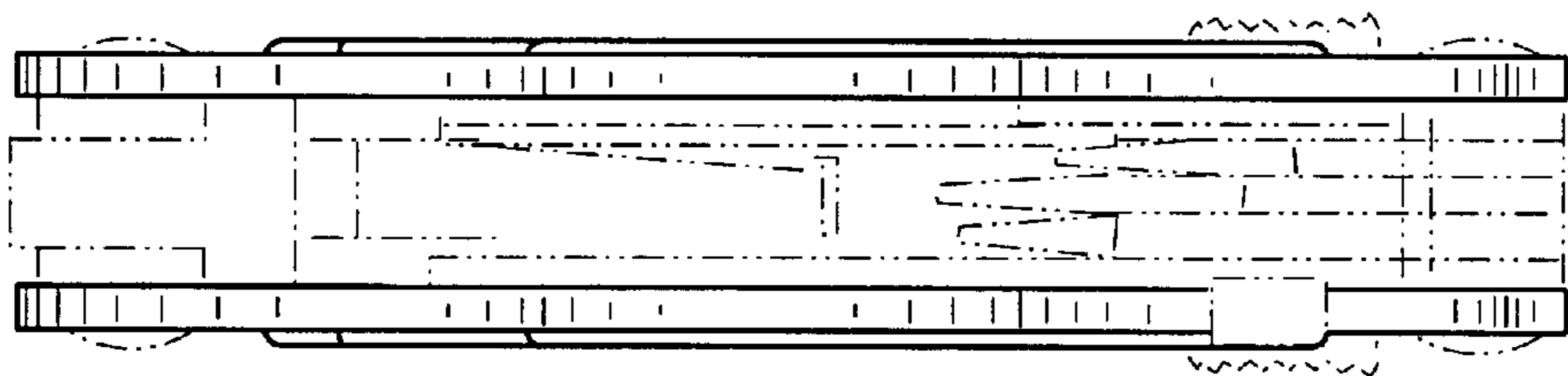


FIG. 4

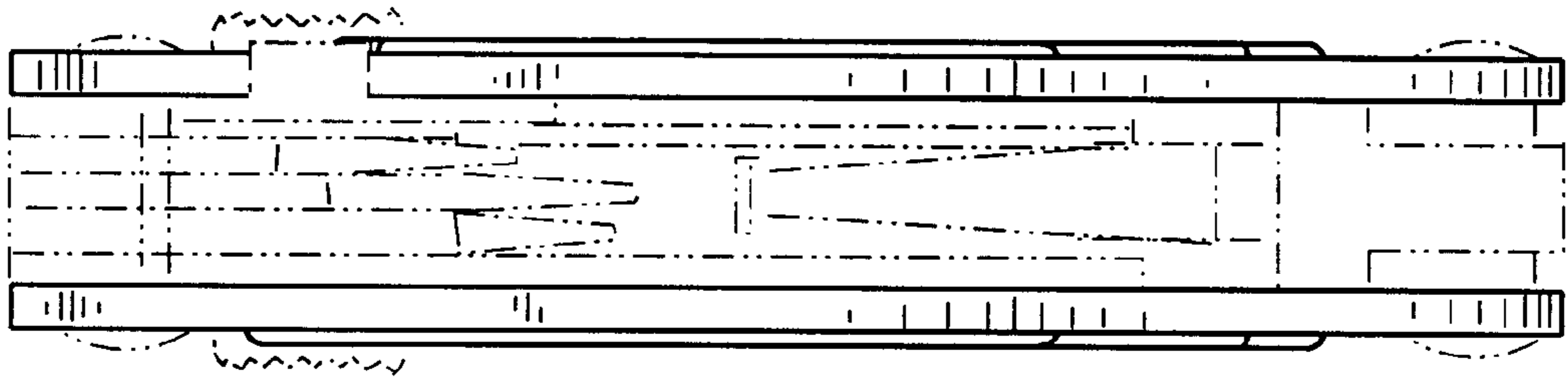


FIG. 5

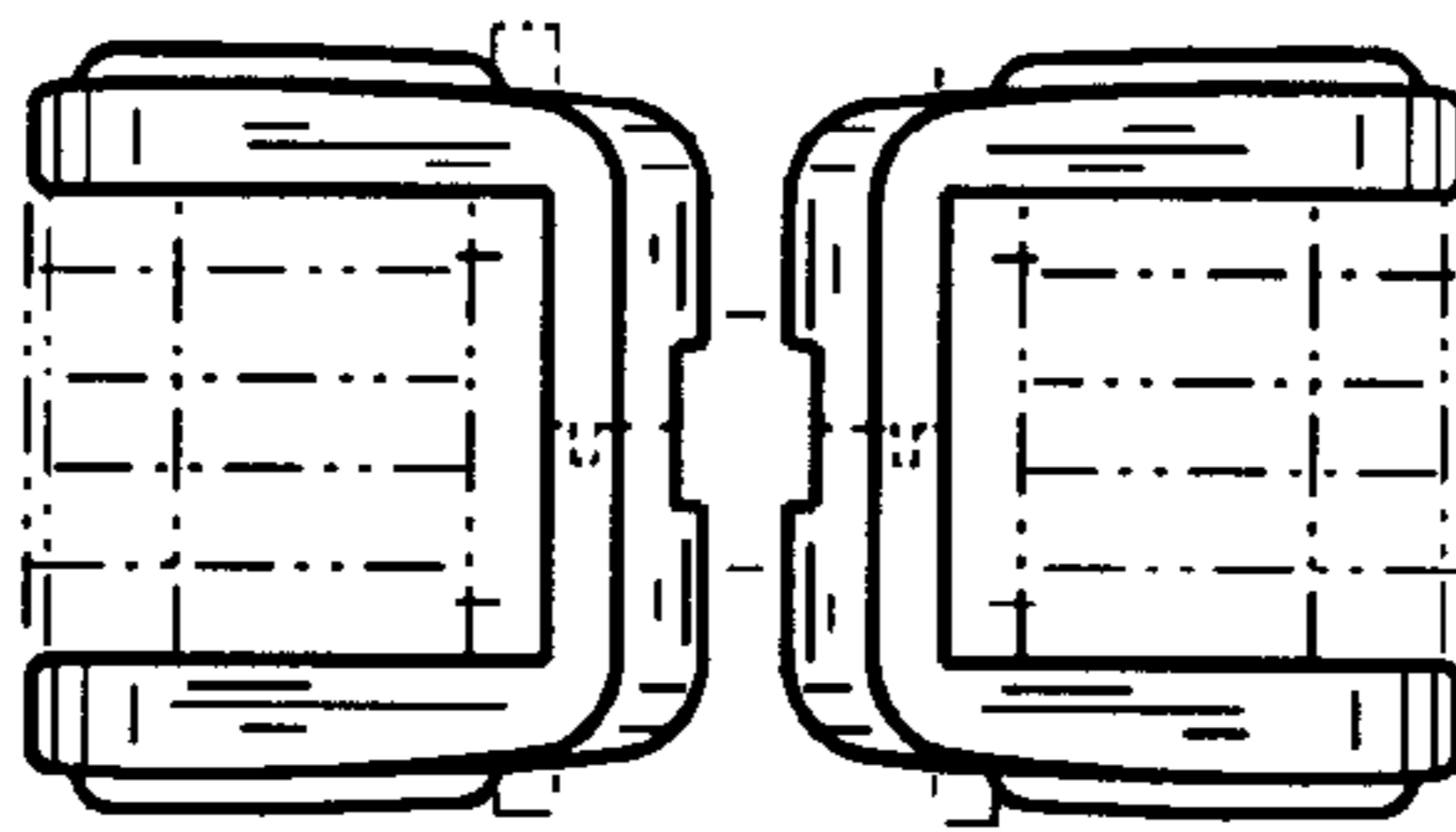


FIG. 6

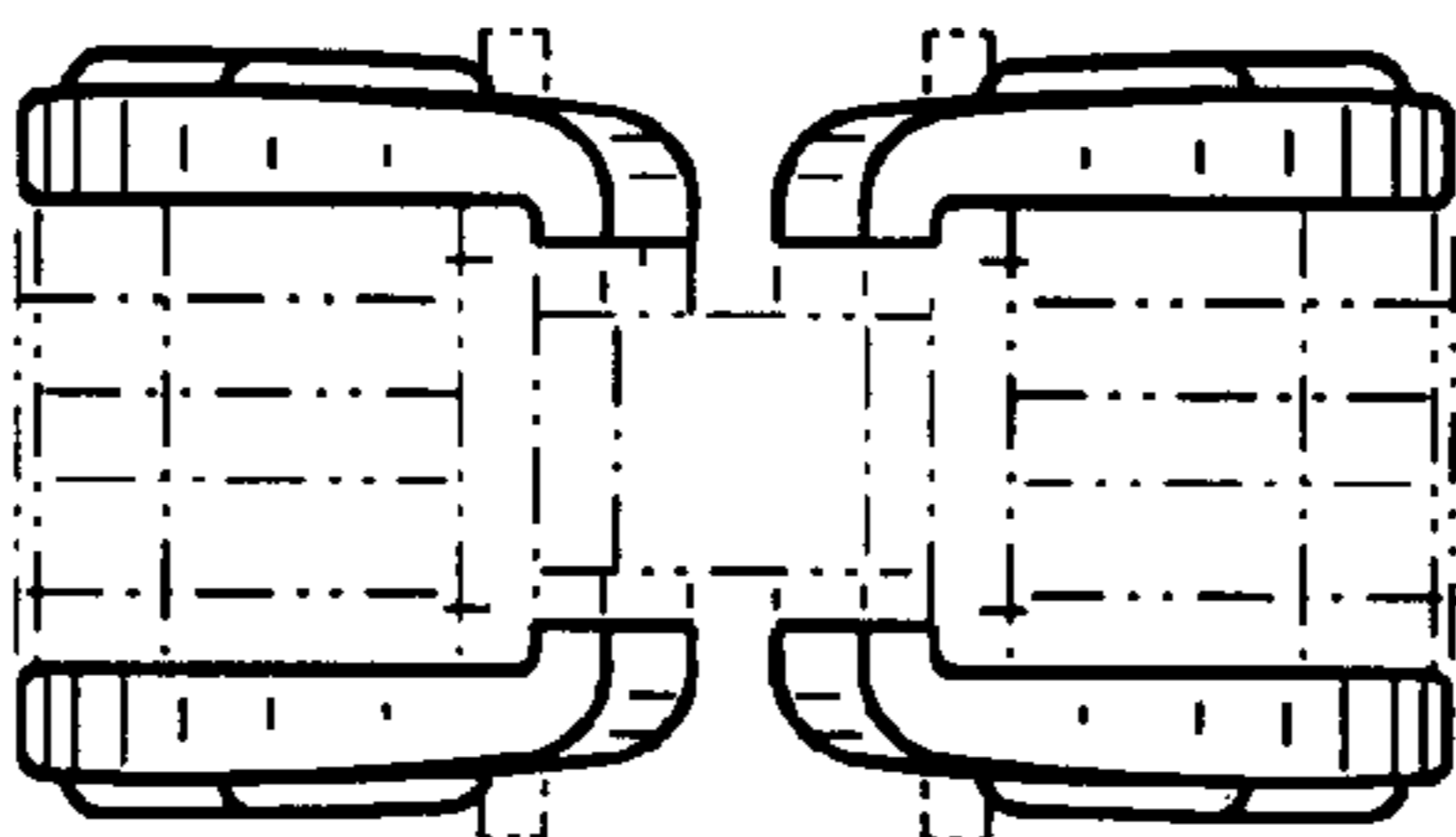


FIG. 7

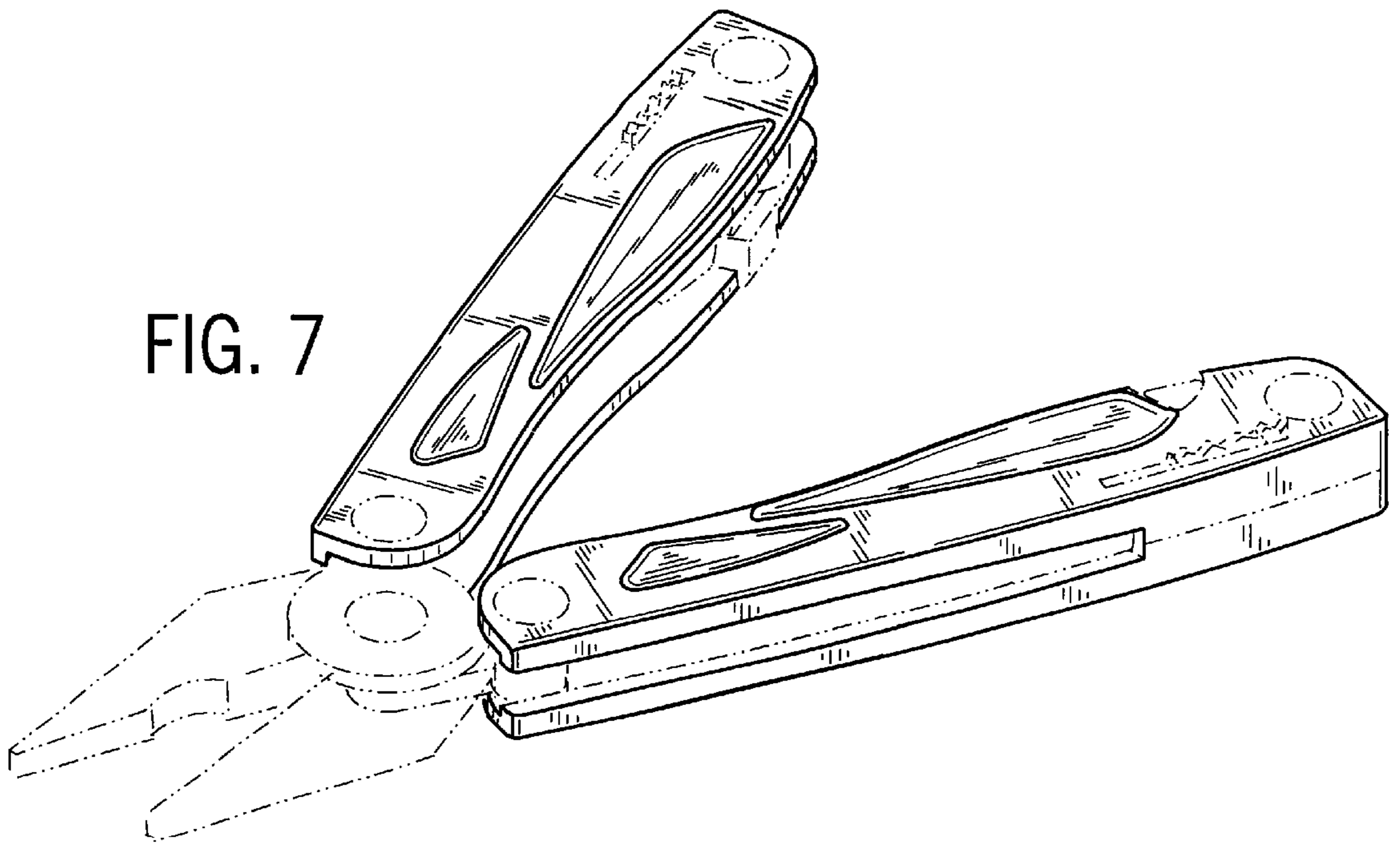


FIG. 8

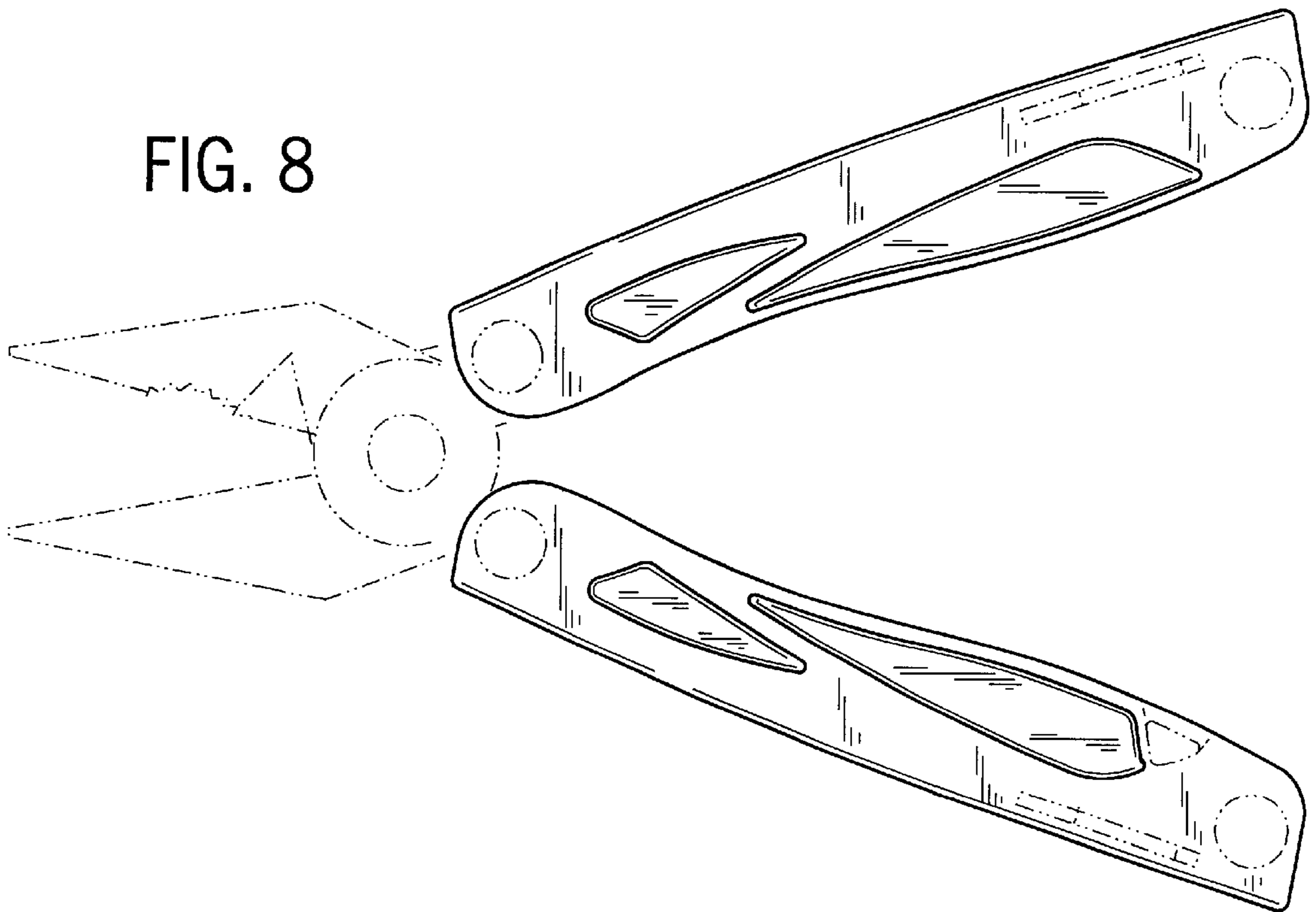


FIG. 9

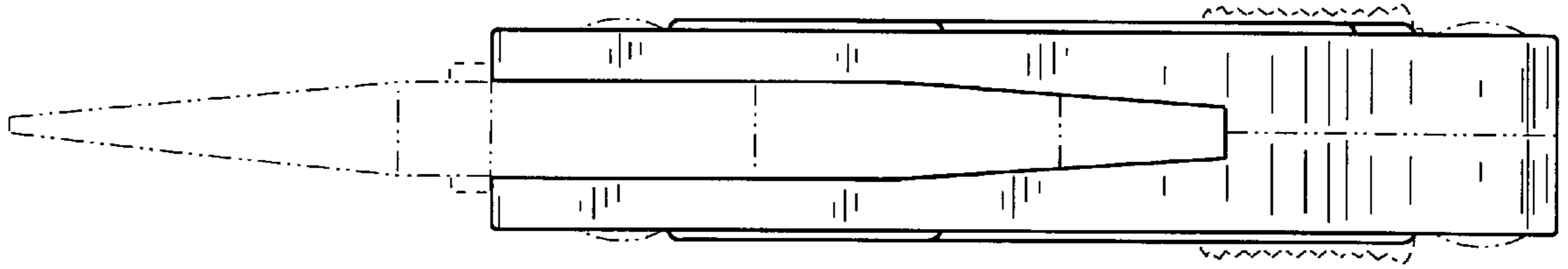


FIG. 10

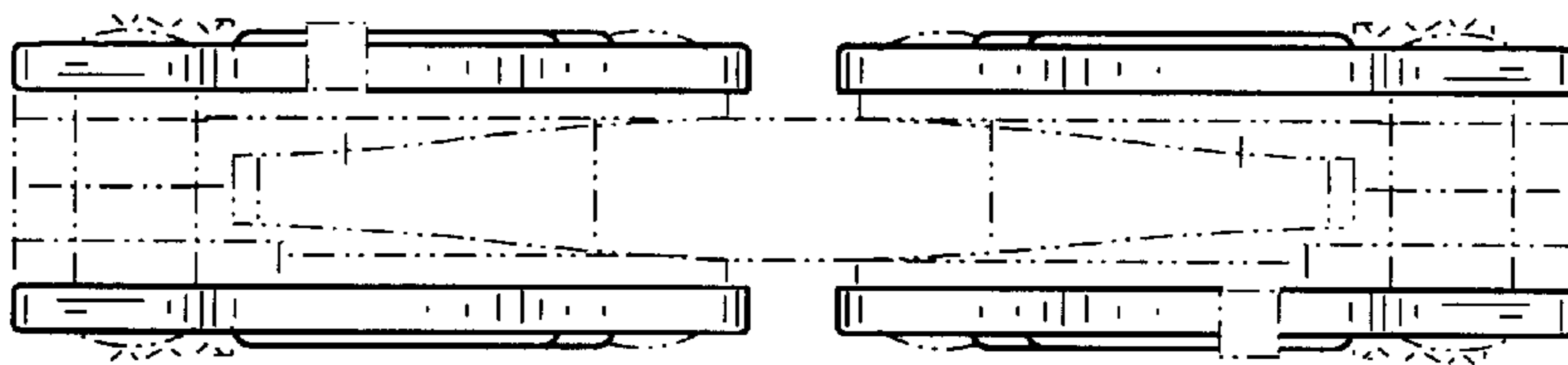


FIG. 11

