



US00D445325S

(12) **United States Design Patent**
Frühm

(10) **Patent No.:** **US D445,325 S**

(45) **Date of Patent:** **** Jul. 24, 2001**

(54) **SCREWDRIVER BIT**

(76) Inventor: **Hermann Frühm**, 102-360 Edworthy Way, New Westminster, British Columbia (CA), V3L 5G5

(**) Term: **14 Years**

(21) Appl. No.: **29/132,488**

(22) Filed: **Nov. 13, 2000**

(51) **LOC (7) Cl.** **08-04**

(52) **U.S. Cl.** **D8/86**

(58) **Field of Search** D8/82, 83, 84, D8/86; 81/436, 438, 439, 900, 471

(56) **References Cited**

U.S. PATENT DOCUMENTS

D. 350,685 * 9/1994 Perkins et al. D8/86

(List continued on next page.)

OTHER PUBLICATIONS

Stanley Joretech Catalogue 1999.

(List continued on next page.)

Primary Examiner—Philip S. Hyder

(74) *Attorney, Agent, or Firm*—Oven Wiggs Green & Mutala

(57) **CLAIM**

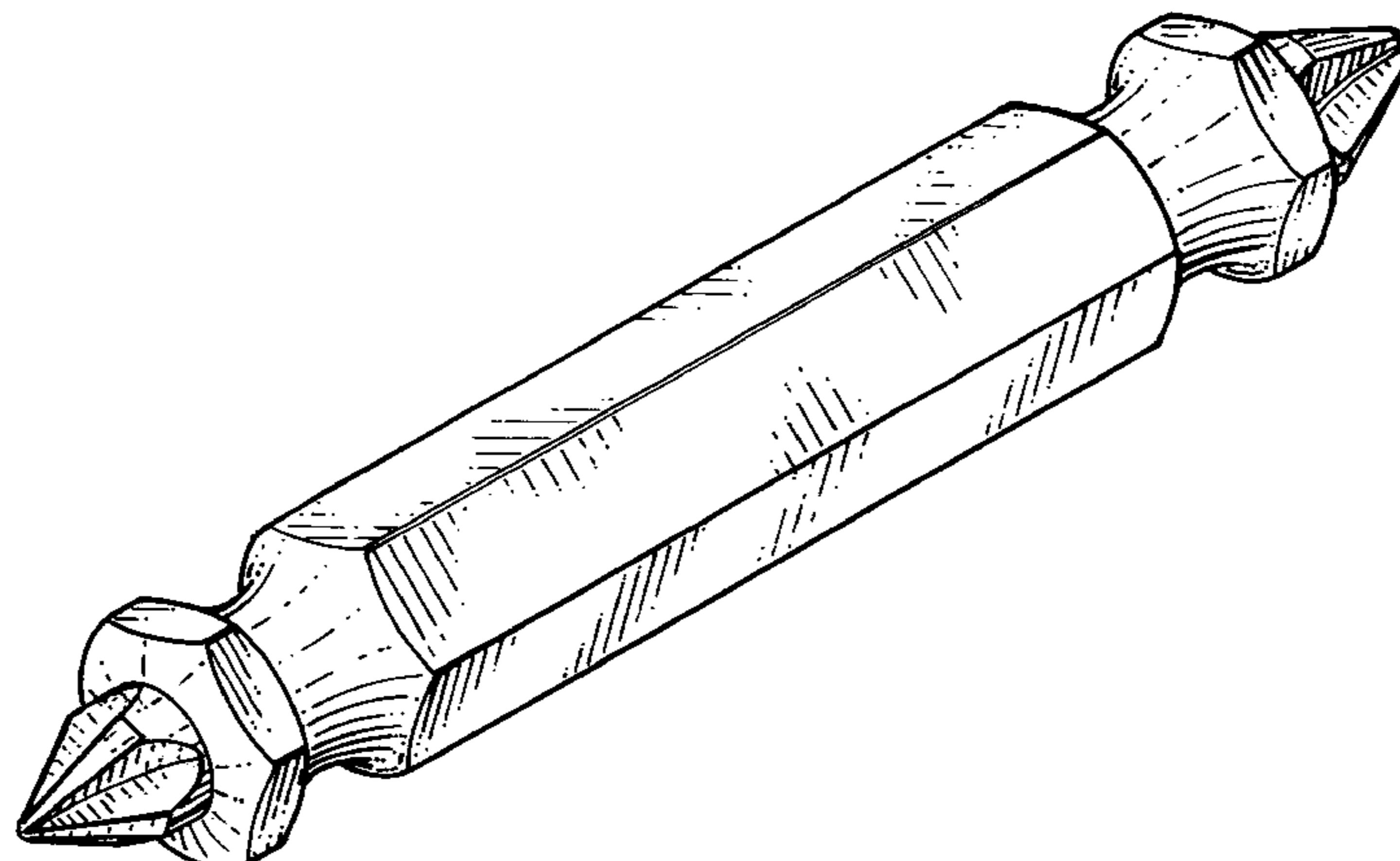
The ornamental design for a screwdriver bit, as shown and described.

DESCRIPTION

FIG. 1 is a left side perspective view of the first embodiment of the design, having cross slot-type tips;
FIG. 2 is a front side elevational view thereof, the back side elevational view being a mirror image thereof;
FIG. 3 is a top plan view thereof, the bottom plan view being a mirror image thereof;
FIG. 4 is a left end elevational view thereof;
FIG. 5 is a right end elevational view thereof;

FIG. 6 is a left side perspective view of the second embodiment of the design, having square-type tips;
FIG. 7 is a front side elevational view of the second embodiment of the design, the back side elevational view being a mirror image thereof;
FIG. 8 is a top plan view of the second embodiment of the design, the bottom plan view being a mirror image thereof;
FIG. 9 is a left end elevational view of the second embodiment of the design;
FIG. 10 is right end elevational view of the second embodiment of the design;
FIG. 11 is a left side perspective view of the third embodiment of the design, having slot-type tips;
FIG. 12 is a front side elevational view of the third embodiment of the design, the back side elevational view being a mirror image thereof;
FIG. 13 is a top plan view of the third embodiment of the design, the bottom plan view being a mirror image thereof;
FIG. 14 is a left end elevational view of the third embodiment of the design;
FIG. 15 is a right end elevational view of the third embodiment of the design;
FIG. 16 is a left side perspective view of the fourth embodiment of the design, having hex-type tips;
FIG. 17 is a front side elevational view of the fourth embodiment of the design, the back side elevational view being a mirror image thereof;
FIG. 18 is a top plan view of the fourth embodiment of the design, the bottom plan view being a mirror image thereof;
FIG. 19 is a left end elevational view of the fourth embodiment of the design;
FIG. 20 is a right end elevational view of the fourth embodiment of the design;
FIG. 21 is a left side perspective view of the fifth embodiment of the design, having star-type tips;
FIG. 22 is a front side elevational view of the fifth embodiment of the design, the back side elevational view being a mirror image thereof;
FIG. 23 is a top plan view of the fifth embodiment of the design, the bottom plan view being a mirror image thereof;
FIG. 24 is a left end elevational view of the fifth embodiment of the design; and,
FIG. 25 is a right end elevational view of the fifth embodiment of the design.

1 Claim, 5 Drawing Sheets



US D445,325 S

Page 2

U.S. PATENT DOCUMENTS

D. 405,672 * 2/1999 Wirths D8/86
D. 410,372 * 6/1999 Strauch D8/86
D. 431,768 * 10/2000 Fiek D8/86
5,309,798 * 5/1994 Markwart et al. 81/438
5,868,047 * 2/1999 Faust et al. 81/438
5,953,969 * 9/1999 Rosenhan 81/436

6,193,242 * 2/2001 Robison 279/137

OTHER PUBLICATIONS

Suretorq Catalogue, no date.
Sunbits Fastener Tools Catalogue, no date.
Schraubwerkzeuge Bits and Tools 2000 Catalogue.

* cited by examiner

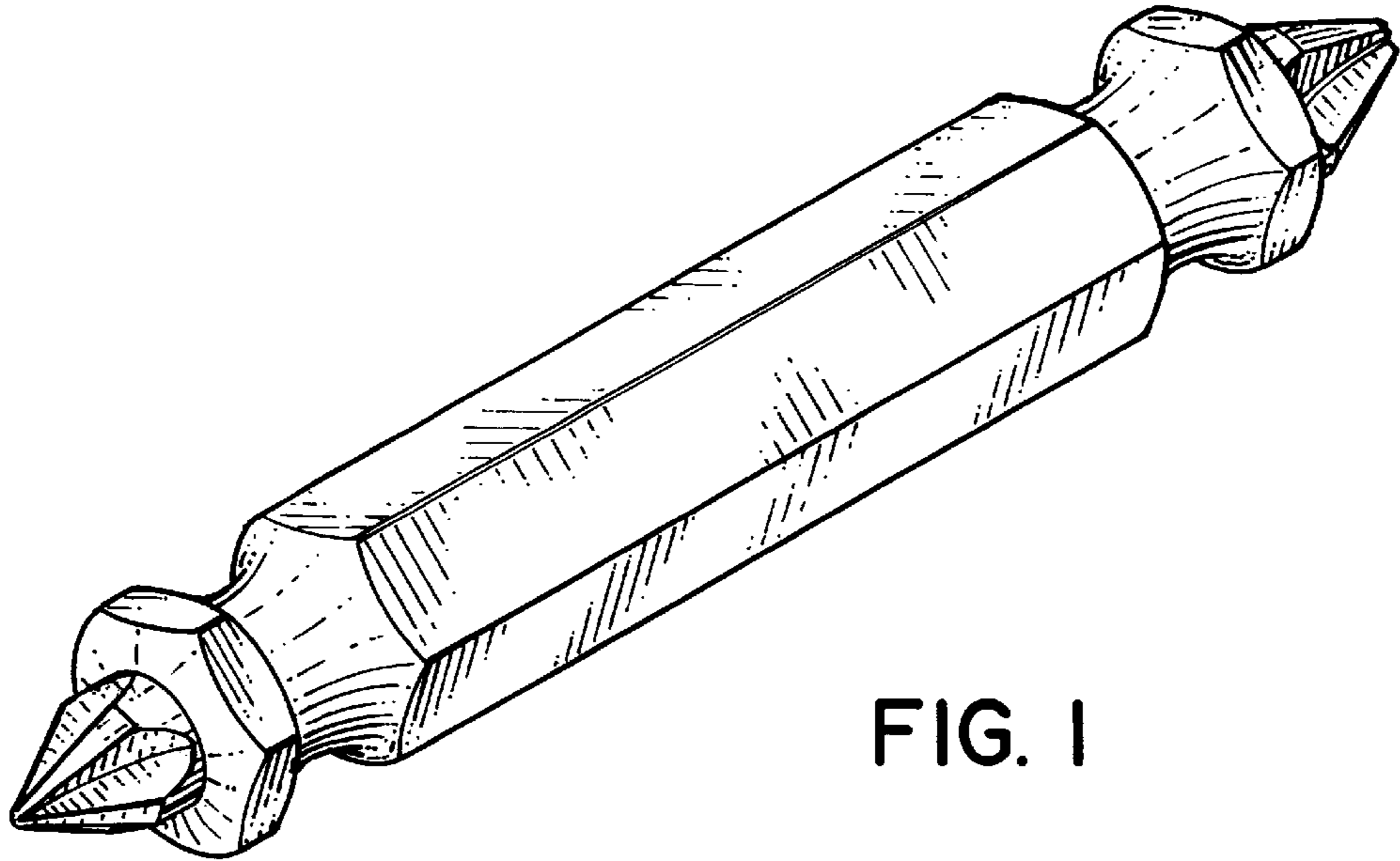


FIG. 1

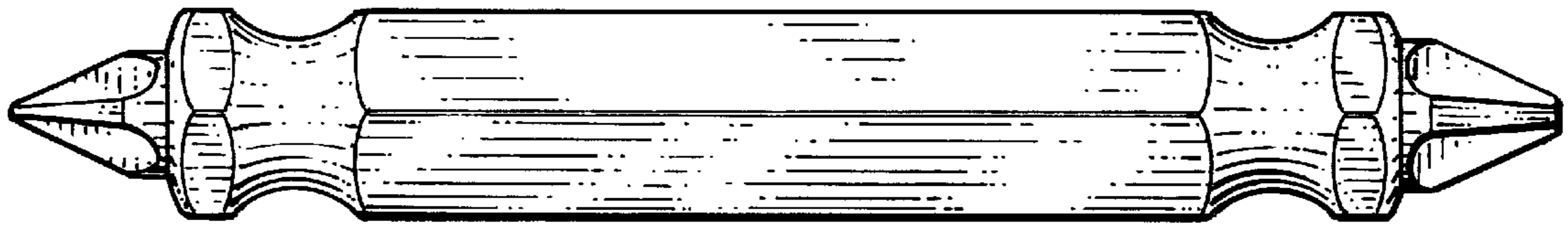


FIG. 2

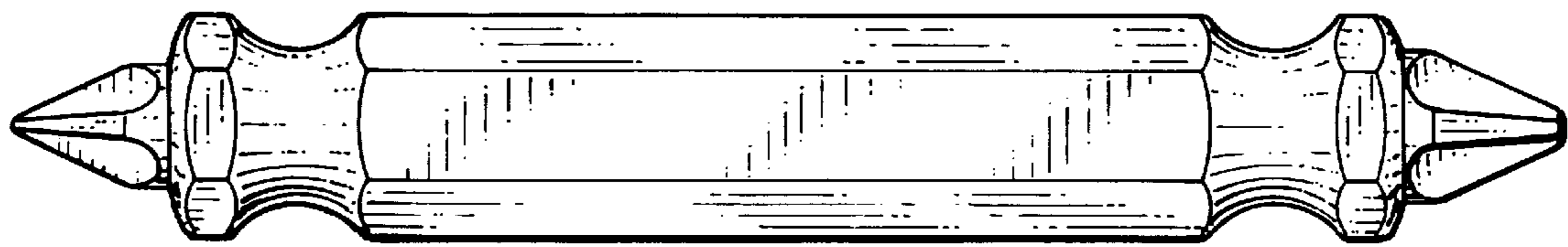


FIG. 3

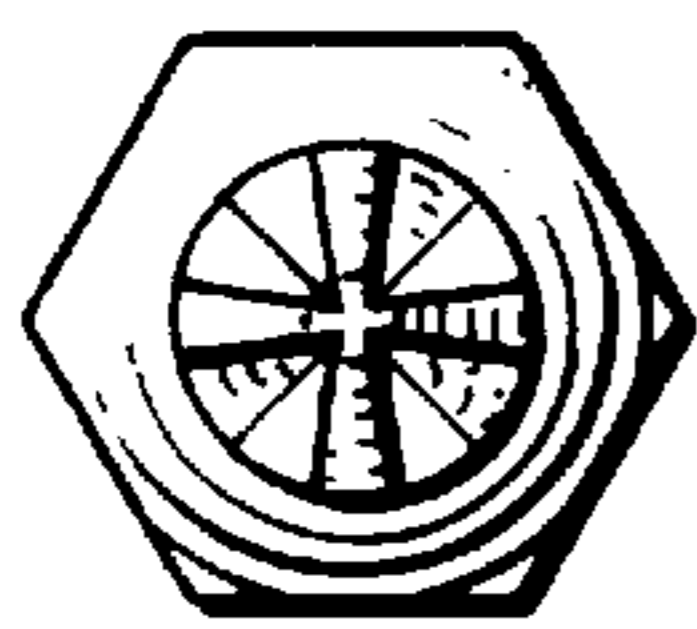


FIG. 4

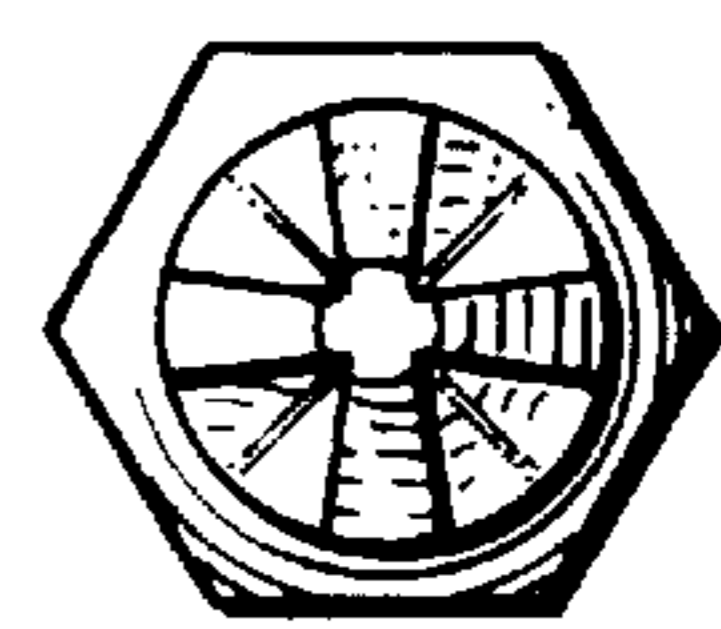


FIG. 5

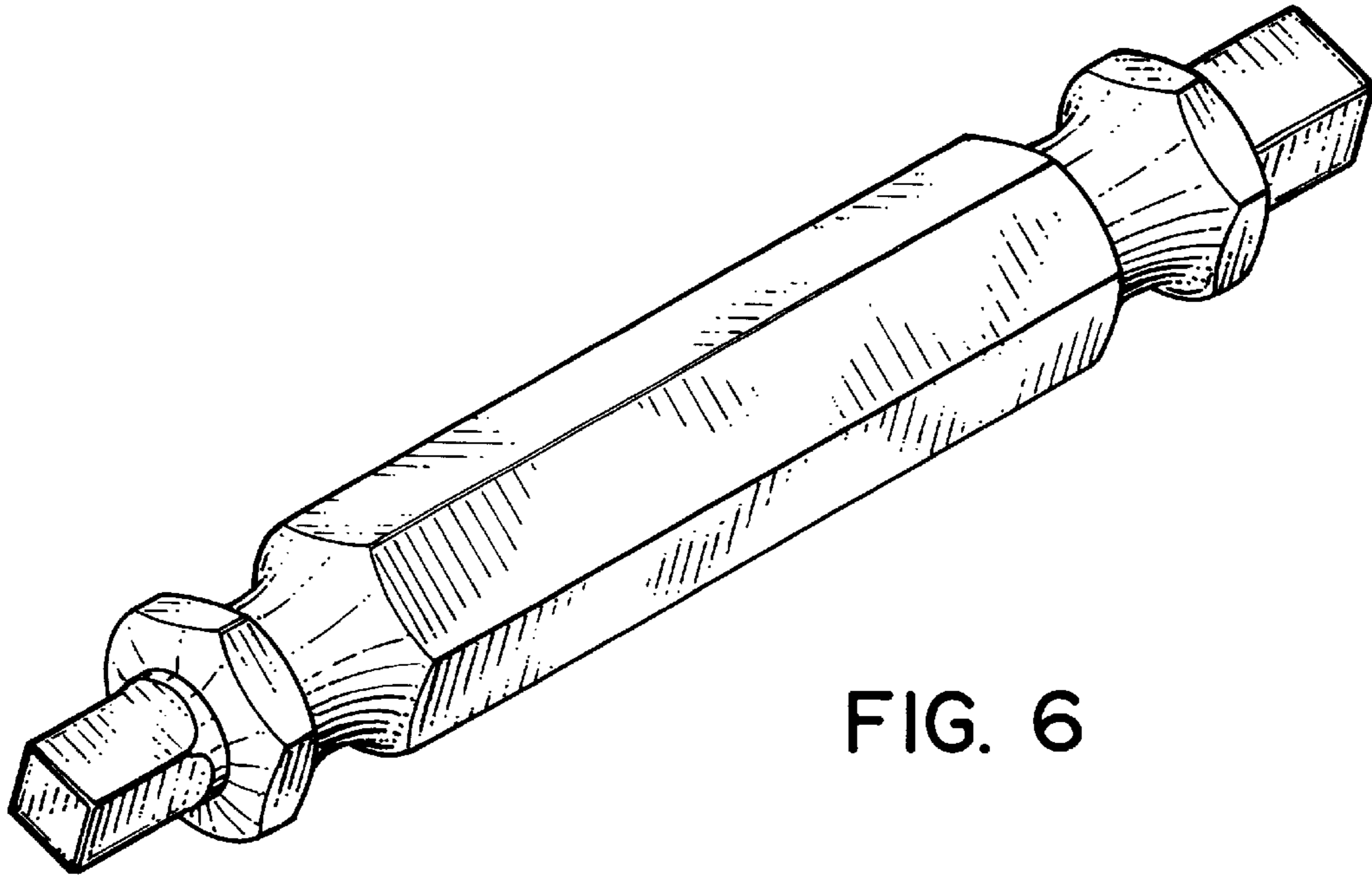


FIG. 6

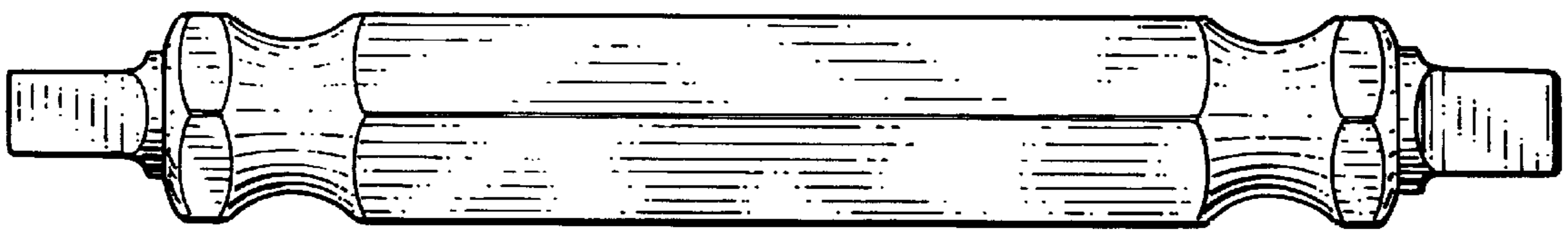


FIG. 7

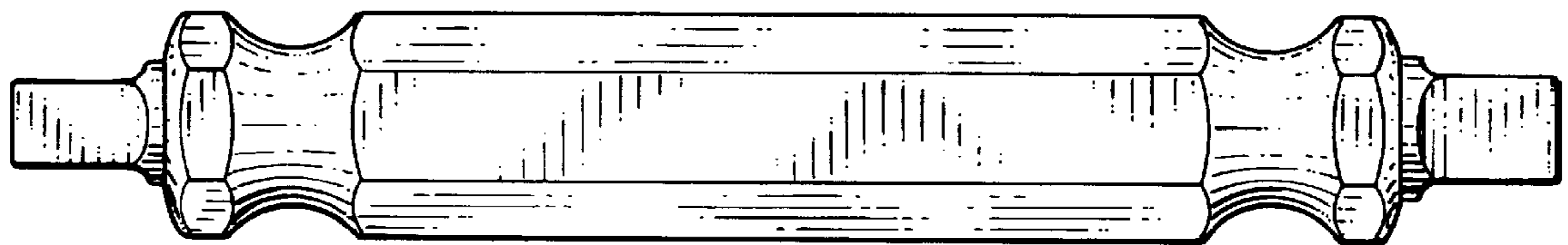


FIG. 8

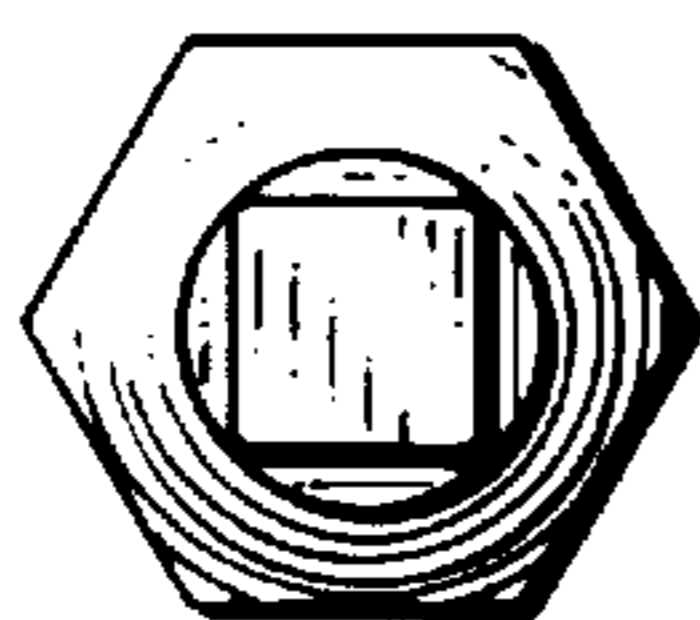


FIG. 9

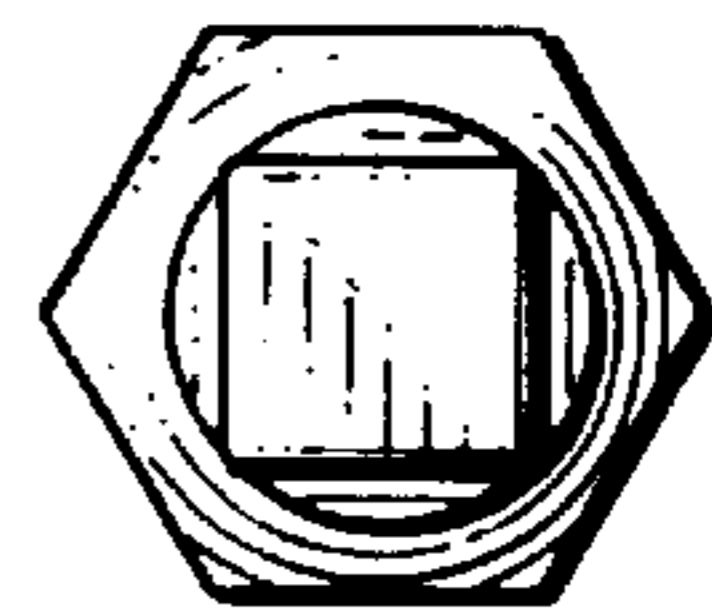


FIG. 10

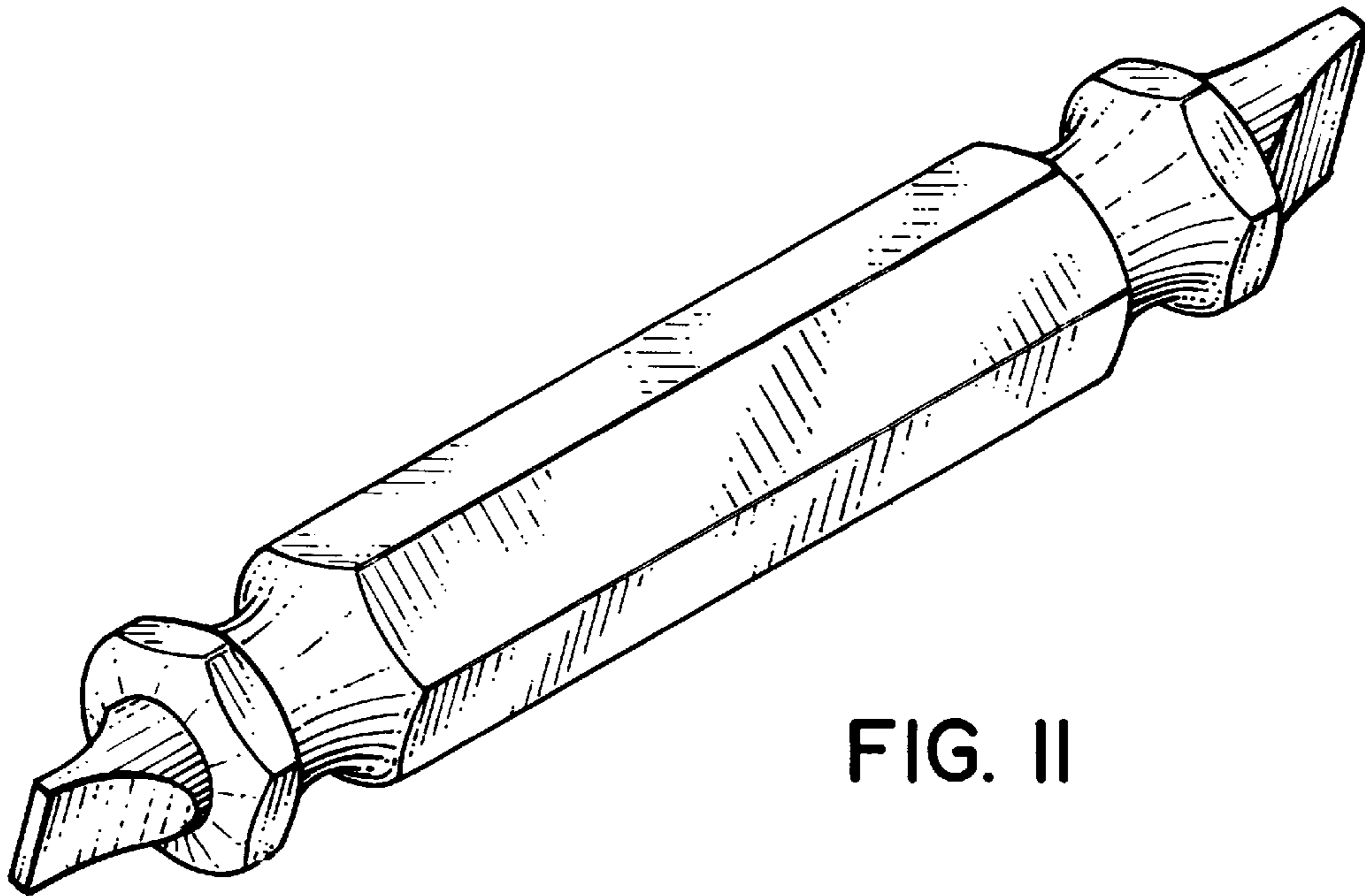


FIG. II

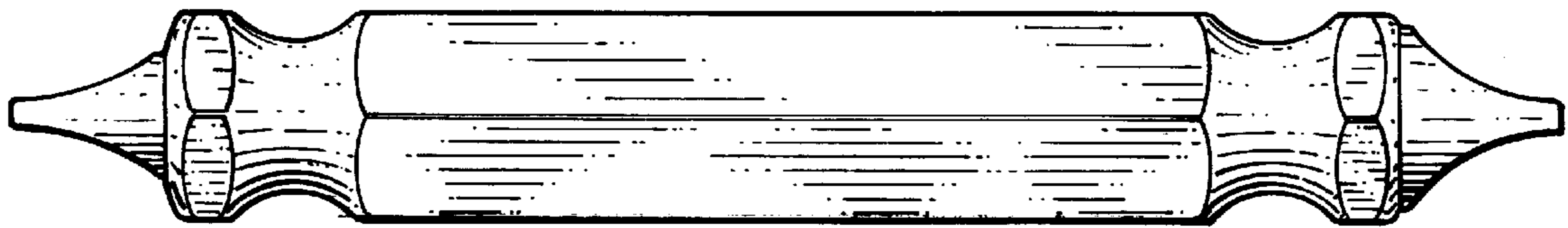


FIG. 12

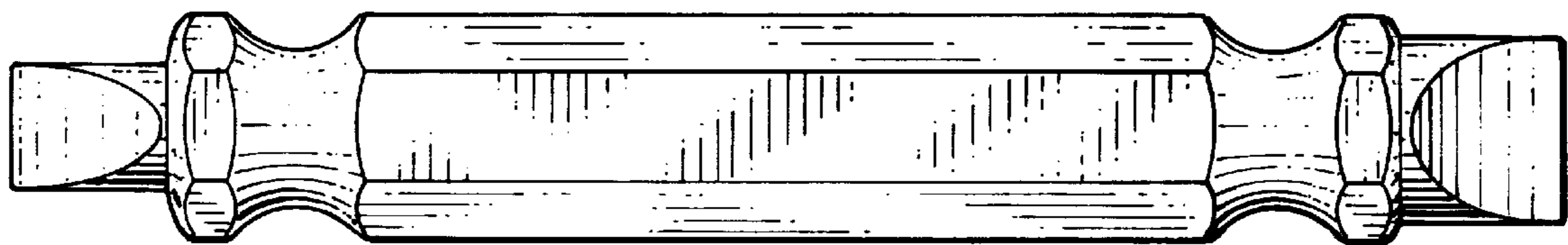


FIG. 13

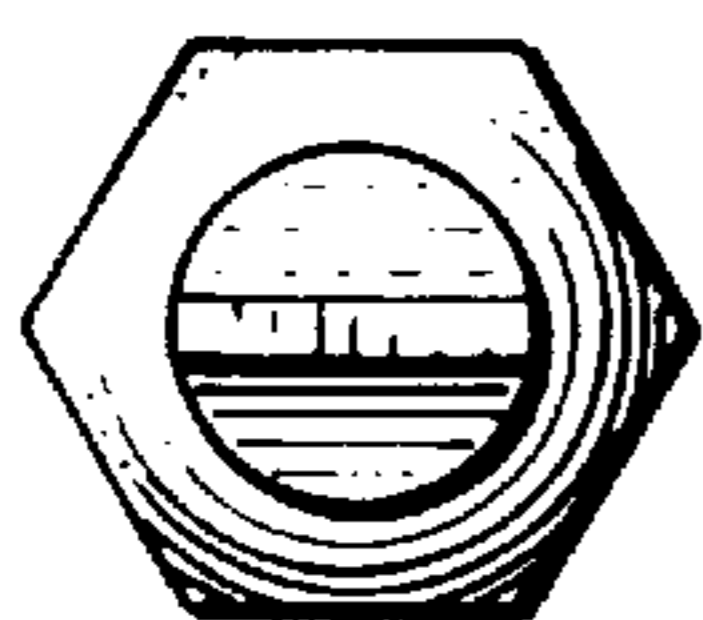


FIG. 14

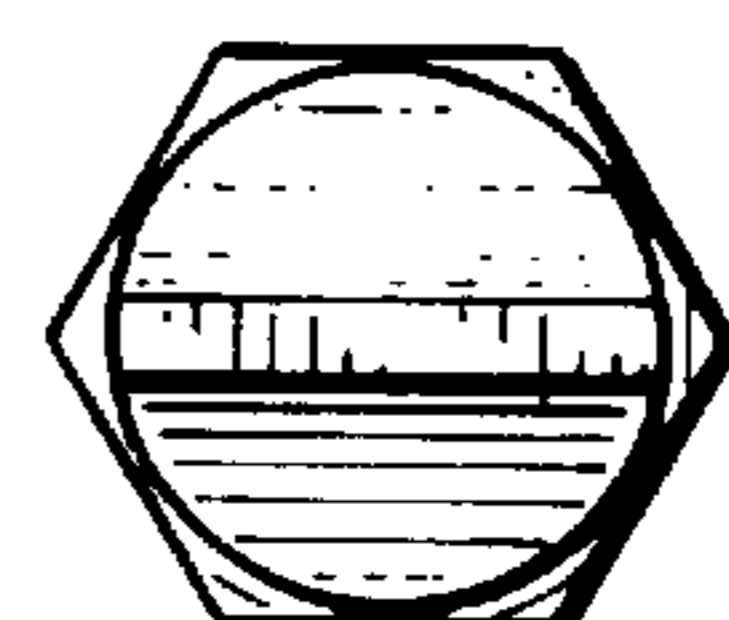


FIG. 15

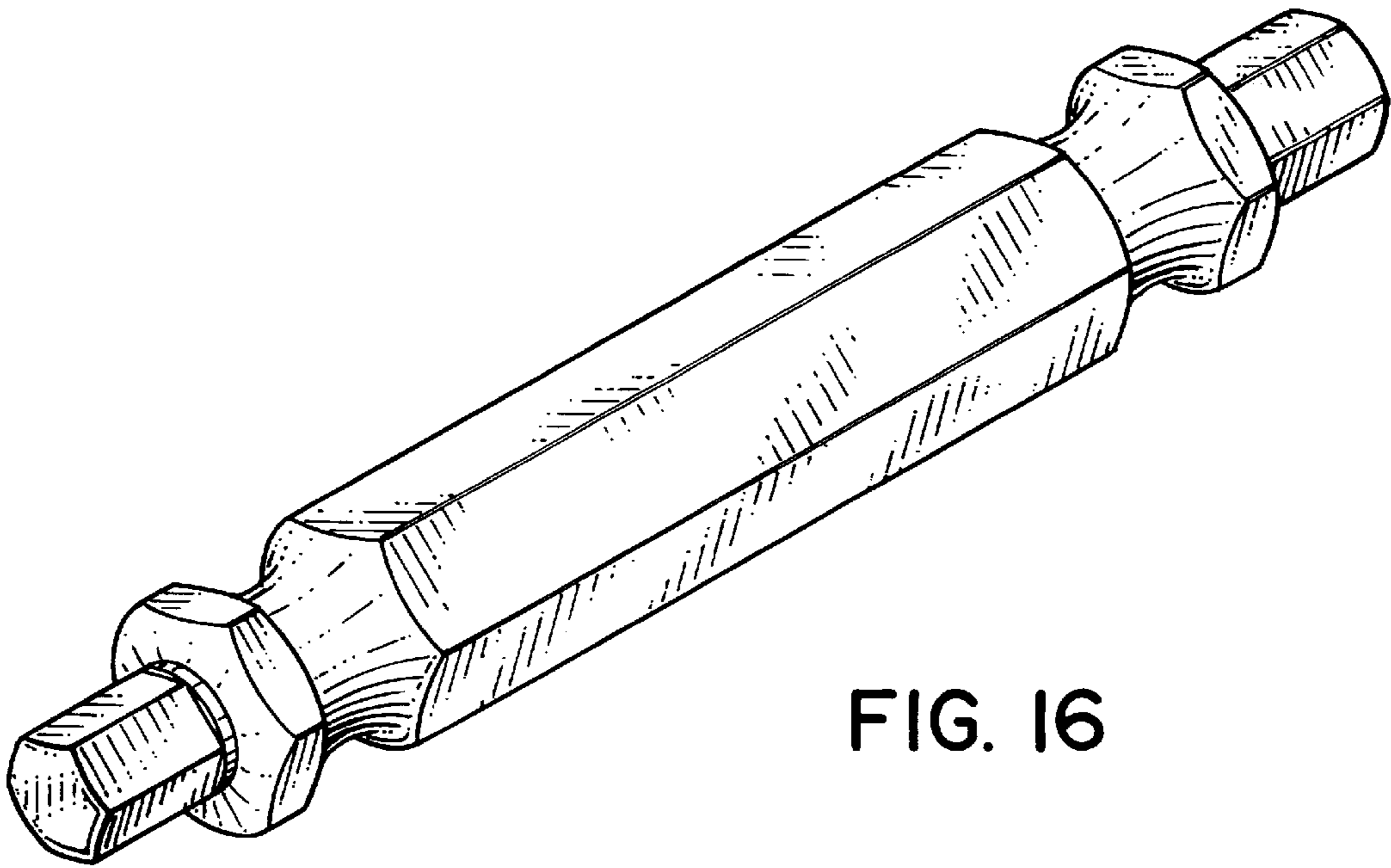


FIG. 16

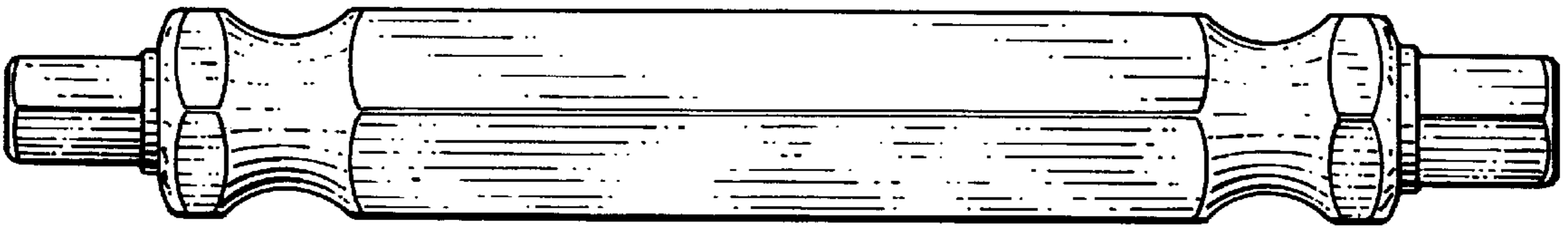


FIG. 17

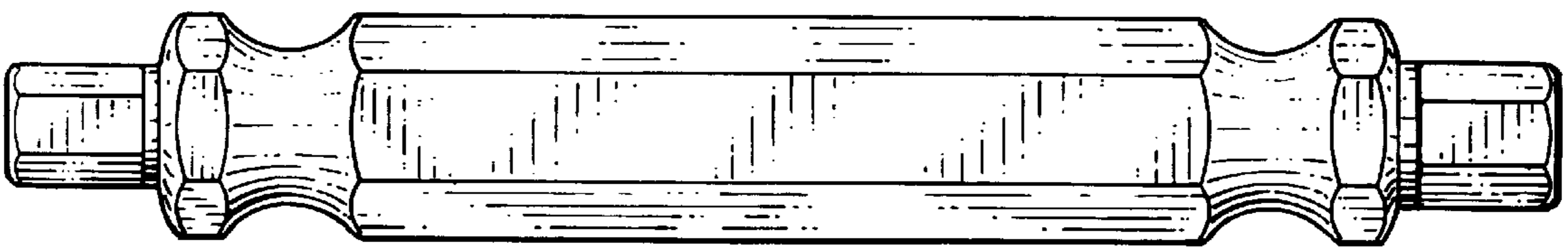


FIG. 18

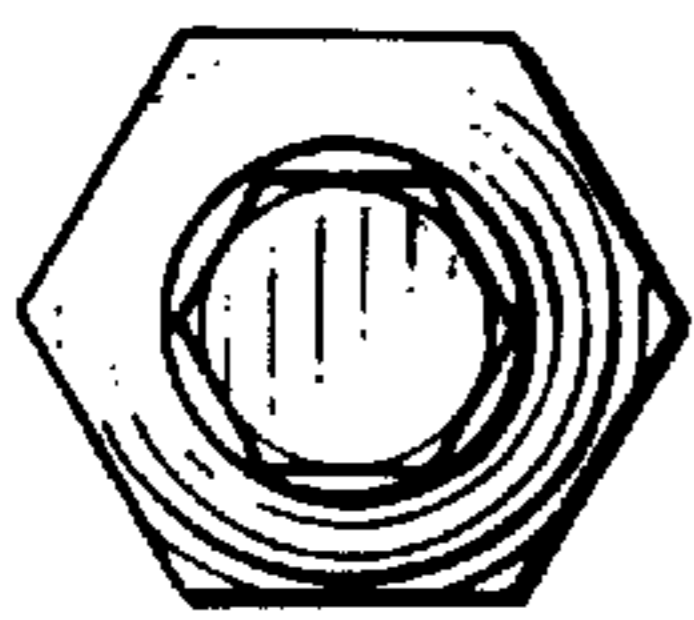


FIG. 19

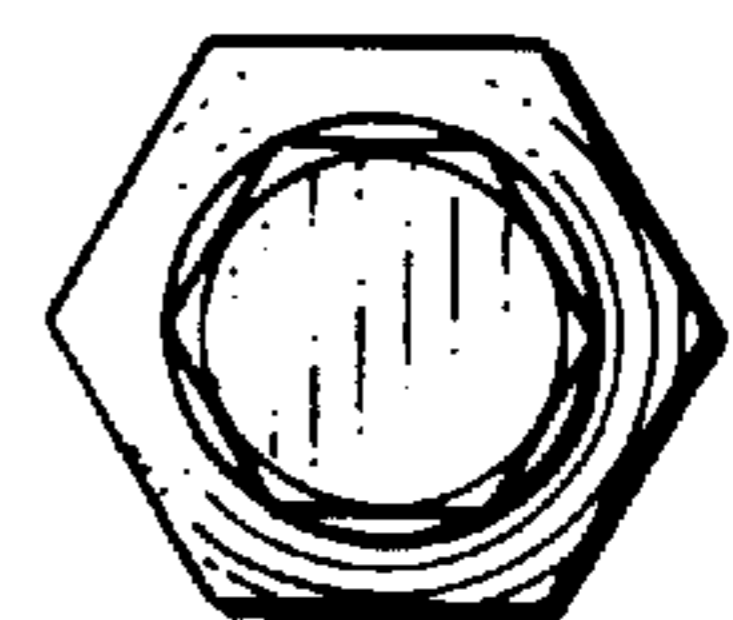


FIG. 20

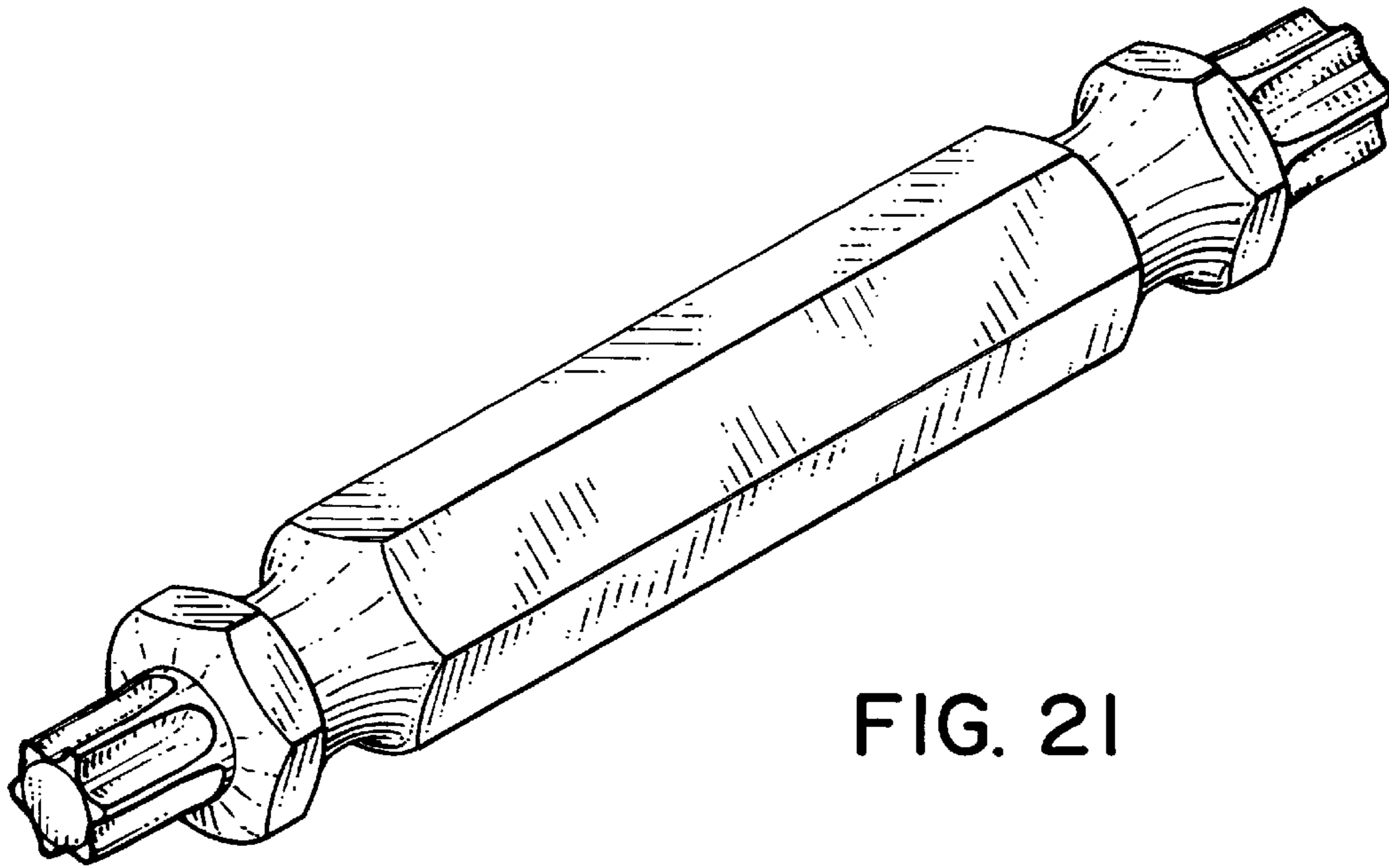


FIG. 21

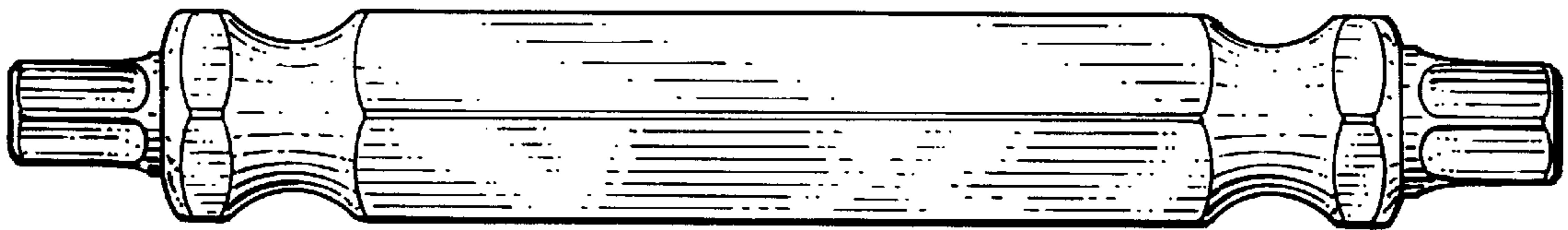


FIG. 22

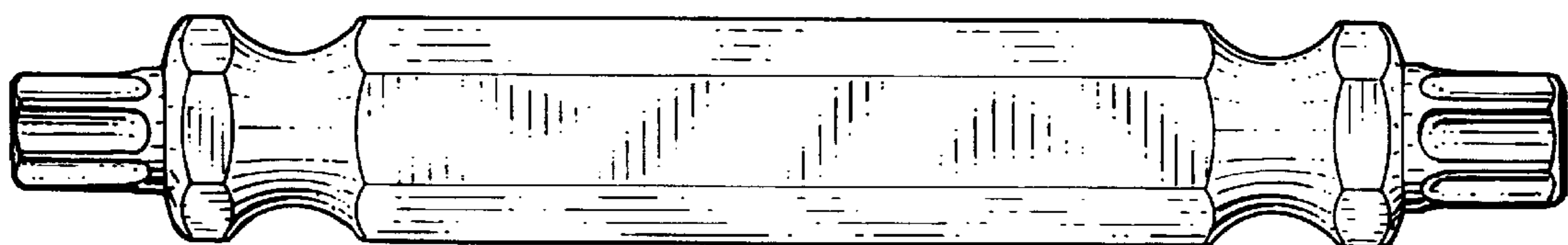


FIG. 23

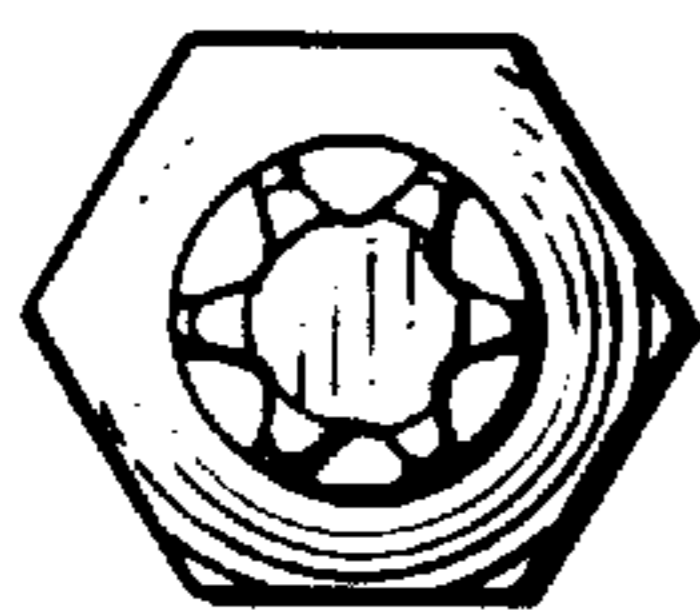


FIG. 24

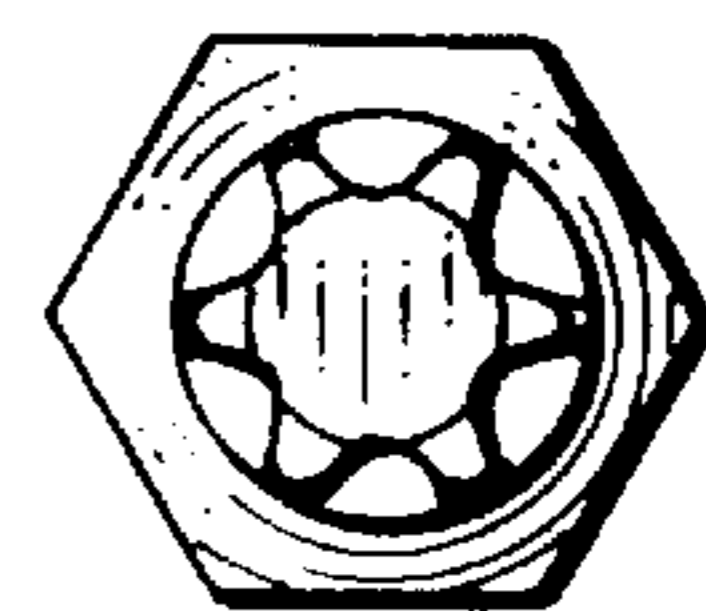


FIG. 25