



US00D445321S

(12) **United States Design Patent**
Lin et al.

(10) **Patent No.:** **US D445,321 S**

(45) **Date of Patent:** **** Jul. 24, 2001**

(54) **WRENCHES**
(75) Inventors: **Yen-Wen Lin; Pi-Yueh Chen**, both of Taichung (TW)
(73) Assignee: **Bobby Hu**, Taichung (TW)
(**) Term: **14 Years**

1,496,944	*	6/1924	Obiols	81/98
2,649,824		8/1953	Maxwell	81/99
2,655,064		10/1953	Simon et al.	81/99
5,746,097		5/1998	McCann	81/99
5,771,761		6/1998	Binkowski	81/99
5,896,790		4/1999	Chiang	81/98
5,996,445		12/1999	Wiens et al.	81/111

* cited by examiner

(21) Appl. No.: **29/129,762**
(22) Filed: **Sep. 21, 2000**

Primary Examiner—Raphael Barkai
(74) *Attorney, Agent, or Firm*—Alan Kamrath; Rider, Bennett, Egan & Arundel, LLP

Related U.S. Application Data

(63) Continuation of application No. 09/386,119, filed on Aug. 30, 1999.

(51) **LOC (7) Cl.** **08-05**
(52) **U.S. Cl.** **D8/23**
(58) **Field of Search** D8/17, 19, 21-29;
81/98, 99

(57) **CLAIM**

The ornamental design for wrenches, as shown and described.

DESCRIPTION

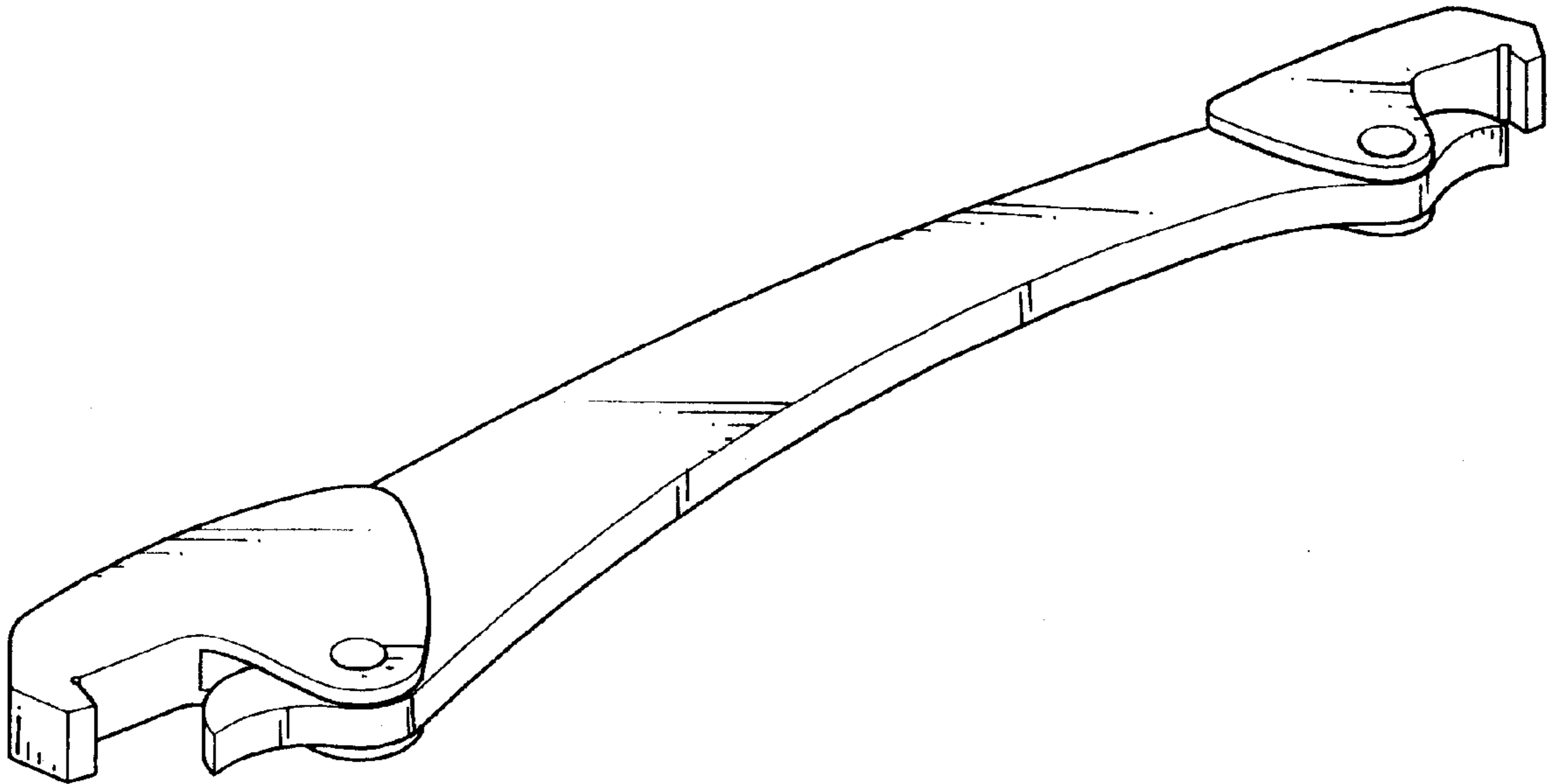
FIG. 1 is a perspective view of a wrenches showing my new design;
FIG. 2 is a front elevational view thereof;
FIG. 3 is a rear elevational view thereof;
FIG. 4 is a left elevational view thereof;
FIG. 5 is a right elevational view thereof; and,
FIG. 6 is a top plan view thereof; and the opposite side being a mirror image of the shown.

(56) **References Cited**

U.S. PATENT DOCUMENTS

D. 188,005	*	5/1960	Osborn	D8/23
D. 435,410	*	12/2000	Lin	D8/23
1,072,090	*	9/1913	Cook	81/99
1,395,052	*	10/1921	Miller	81/99

1 Claim, 2 Drawing Sheets



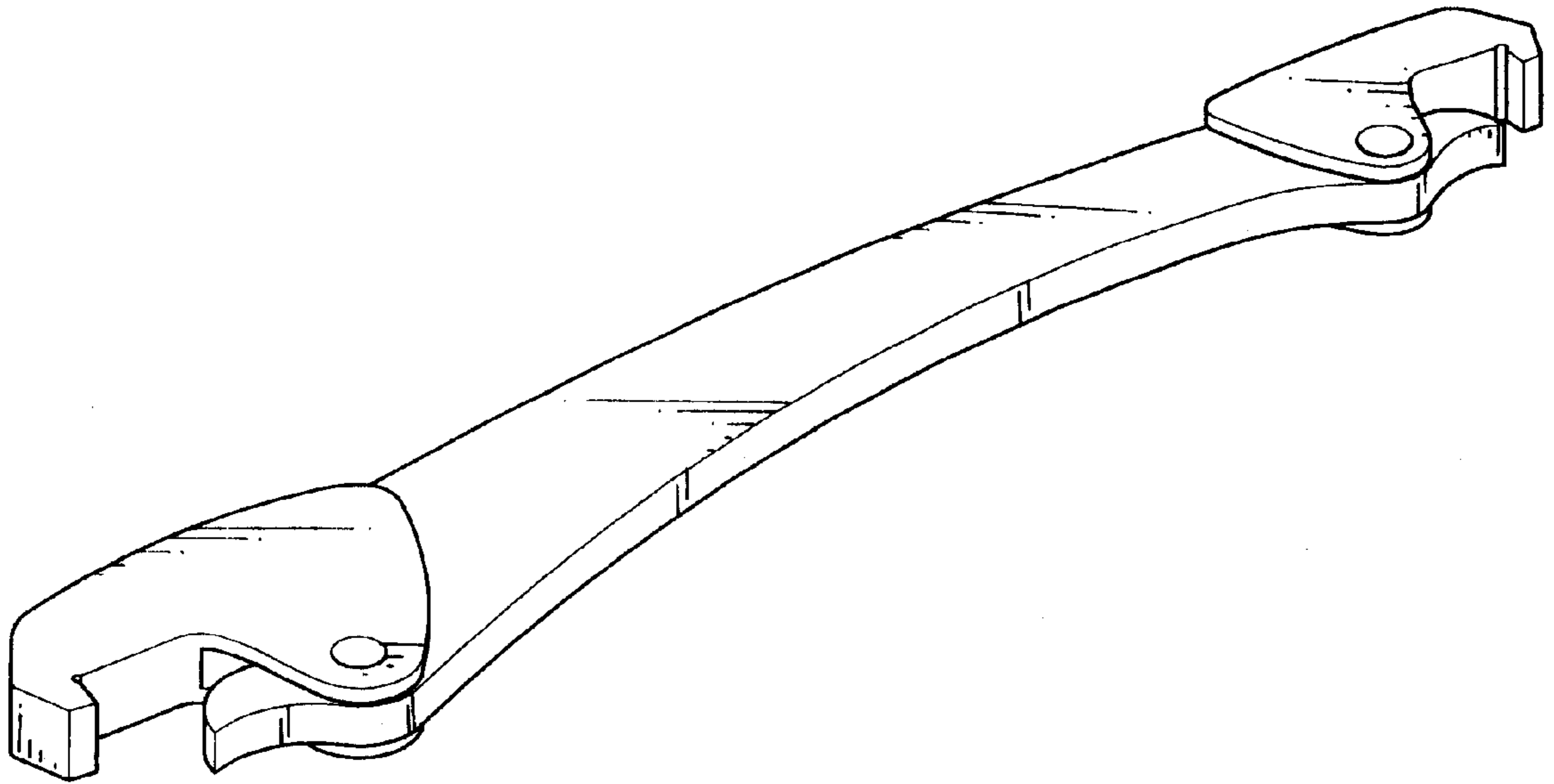


Fig. 1

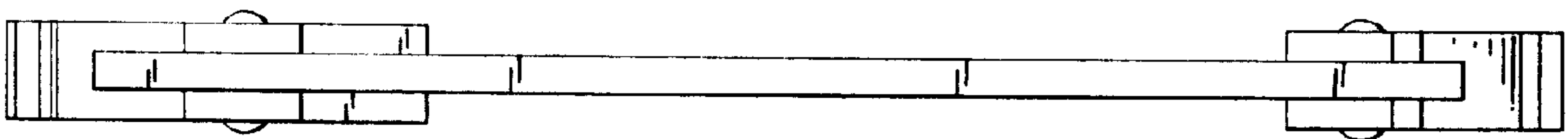


Fig. 2

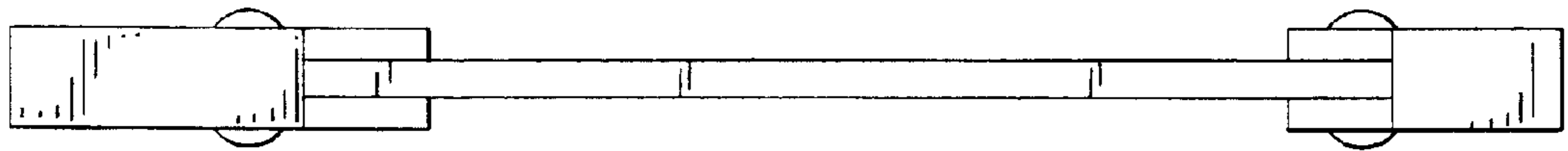


Fig. 3

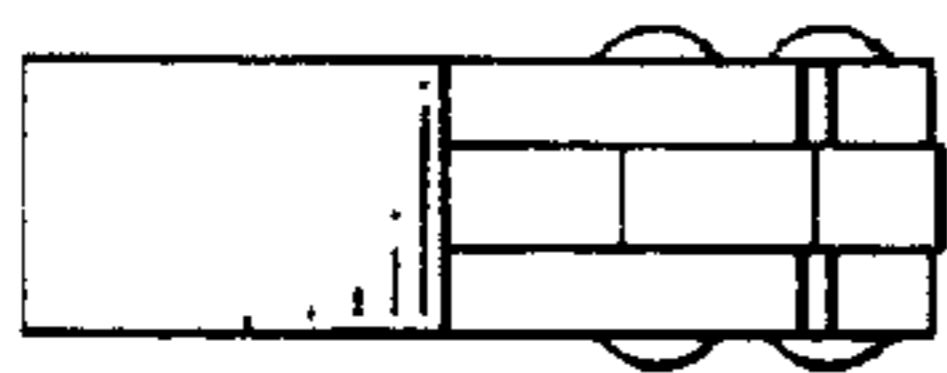


Fig. 4

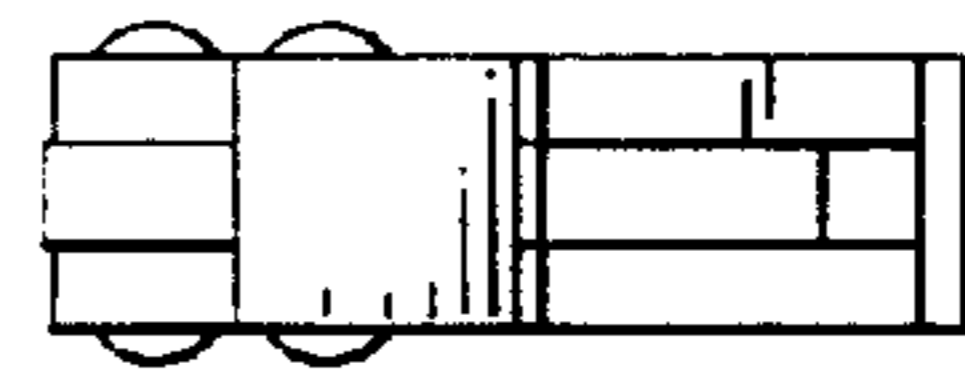


Fig. 5



Fig. 6