



US00D445319S

(12) **United States Design Patent**  
**Choi**

(10) **Patent No.:** **US D445,319 S**

(45) **Date of Patent:** **\*\* Jul. 24, 2001**

(54) **MULTI-PURPOSE PRUNER**

4,947,553 \* 8/1990 Bendickson et al. .... 30/262

(75) Inventor: **Seung-Keun Choi**, Cheongju (KR)

\* cited by examiner

(73) Assignee: **Bando Industrial Co., Ltd.** (KR)

*Primary Examiner*—Robin V. Taylor

(\*\*) Term: **14 Years**

(74) *Attorney, Agent, or Firm*—Alston & Bird LLP

(21) Appl. No.: **29/126,366**

(22) Filed: **Jul. 13, 2000**

(57) **CLAIM**

The ornamental design for multi-purpose pruner, as shown and described.

(30) **Foreign Application Priority Data**

**DESCRIPTION**

May 4, 2000 (KR) ..... 00-11667

FIG. 1 is a front elevational view of the design for a multi-purpose pruner;

(51) **LOC (7) Cl.** ..... **08-01**

FIG. 2 is a rear elevational view of the design of FIG. 1;

(52) **U.S. Cl.** ..... **D8/4**

FIG. 3 is a left side elevational view of the design of FIG. 1;

(58) **Field of Search** ..... D8/1, 4, 5; 30/287, 30/252, 262

FIG. 4 is a right side elevational view of the design of FIG. 1; and

(56) **References Cited**

FIG. 5 is a top plan view of the design of FIG. 1;

**U.S. PATENT DOCUMENTS**

FIG. 6 is a bottom plan view of the design of FIG. 1; and

D. 359,205 \* 6/1995 Her ..... D8/5

FIG. 7 is a top, front, right side perspective view of the design of FIG. 1.

D. 419,406 \* 1/2000 Wu ..... D8/4

D. 433,888 \* 11/2000 Choi ..... D8/5

**1 Claim, 4 Drawing Sheets**

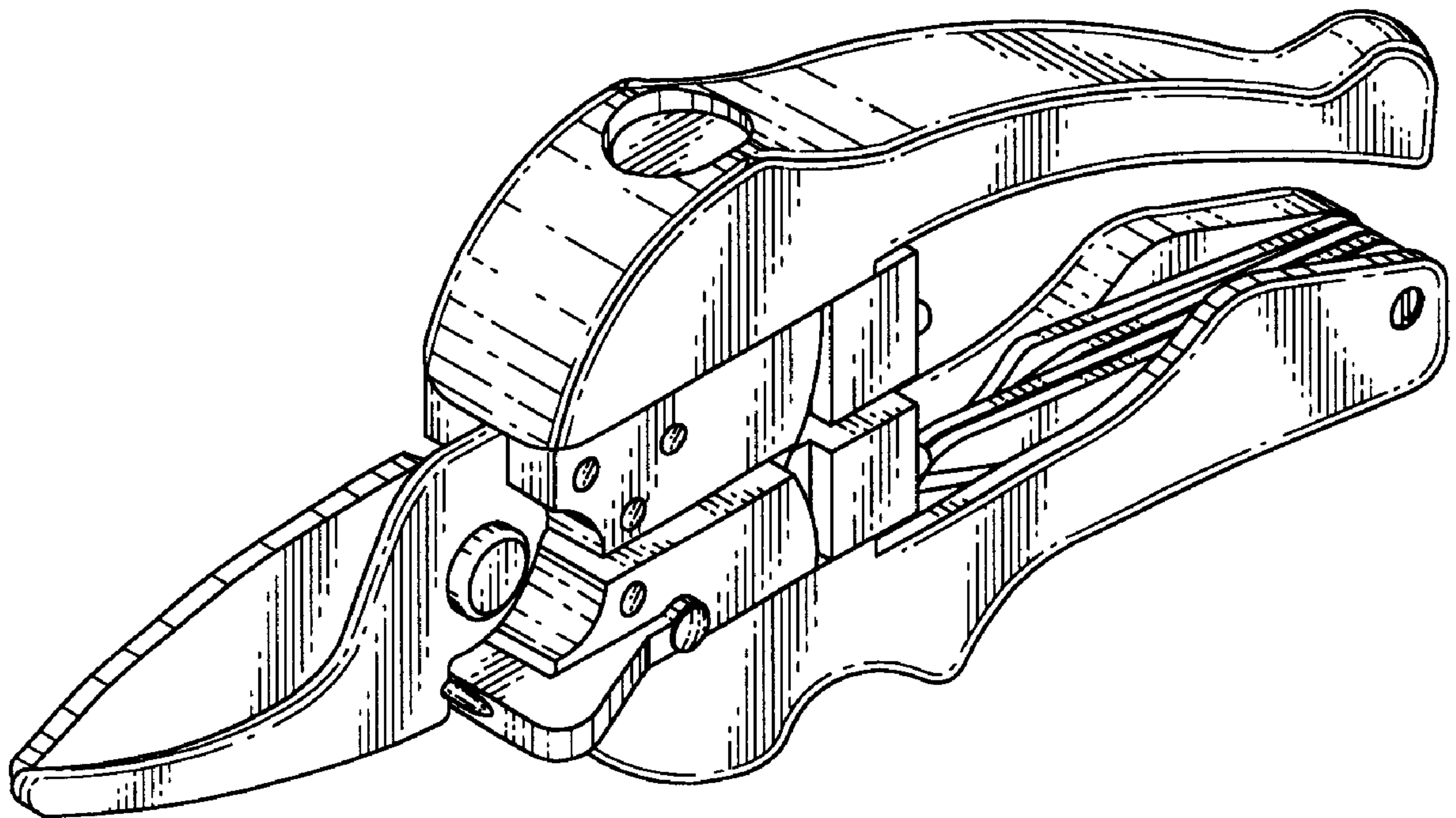


Fig. 1

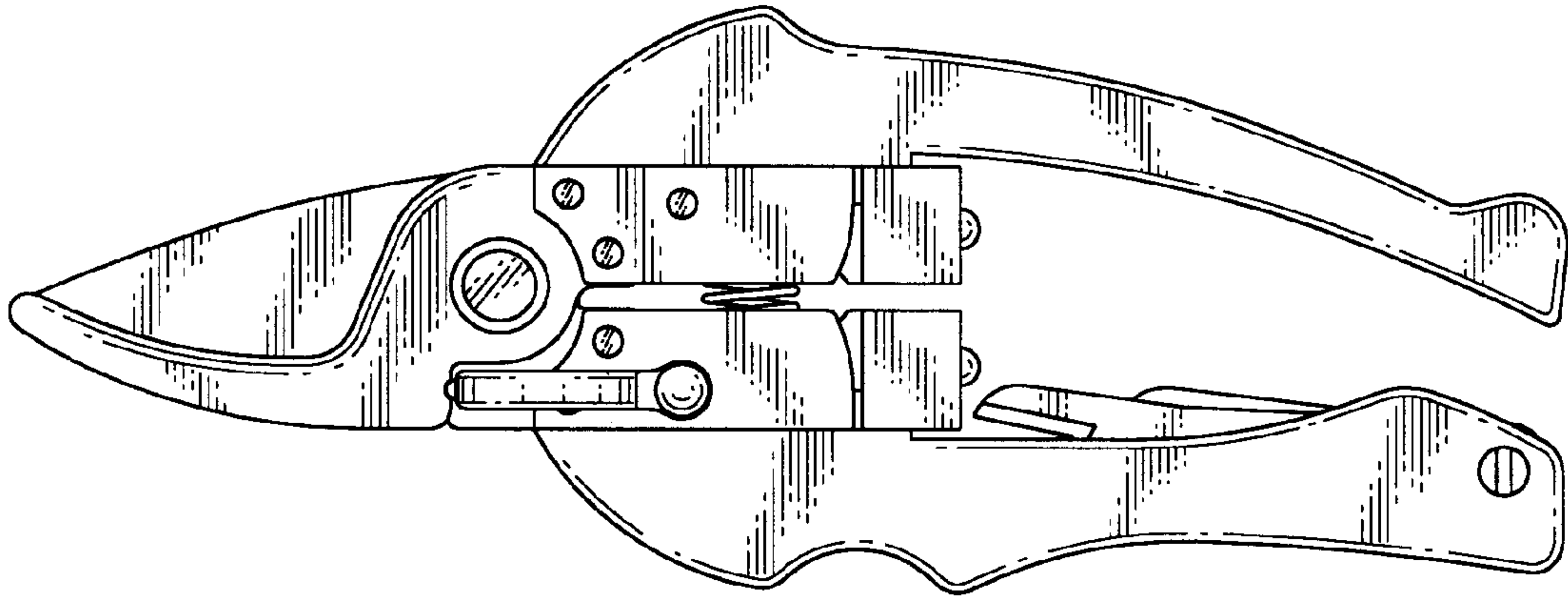


Fig. 2

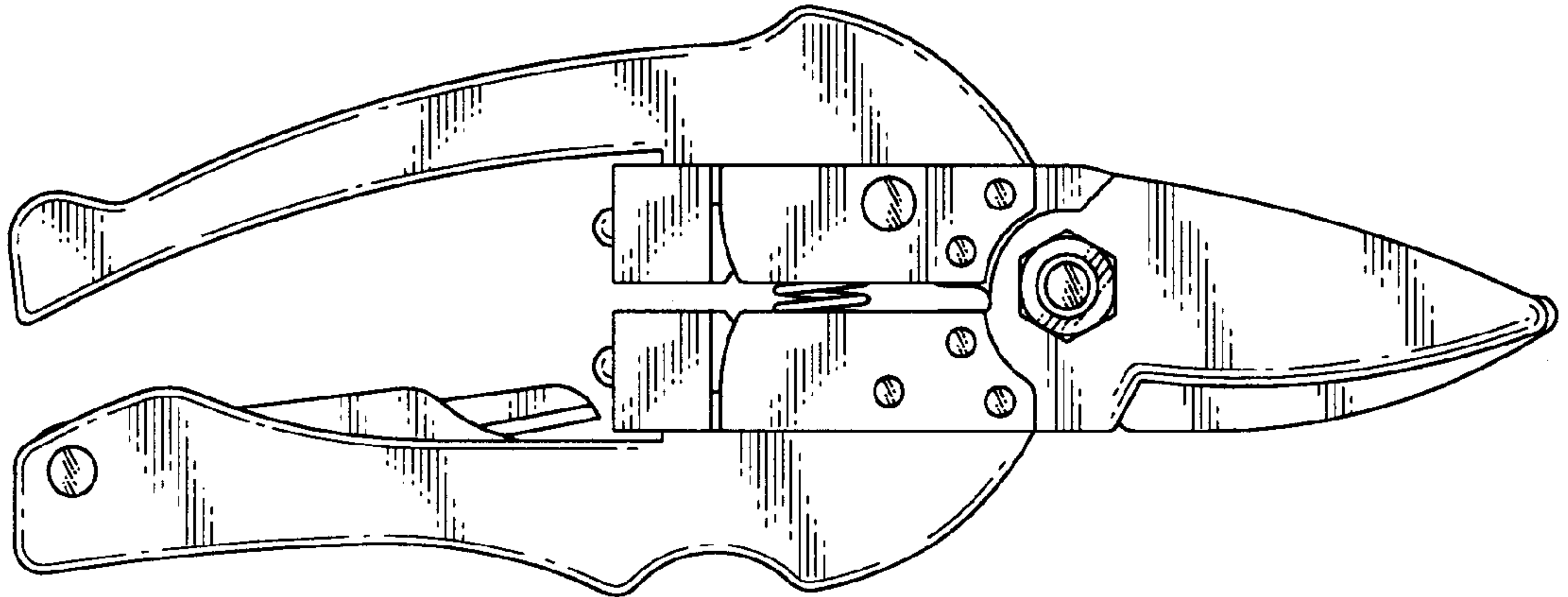


Fig.3

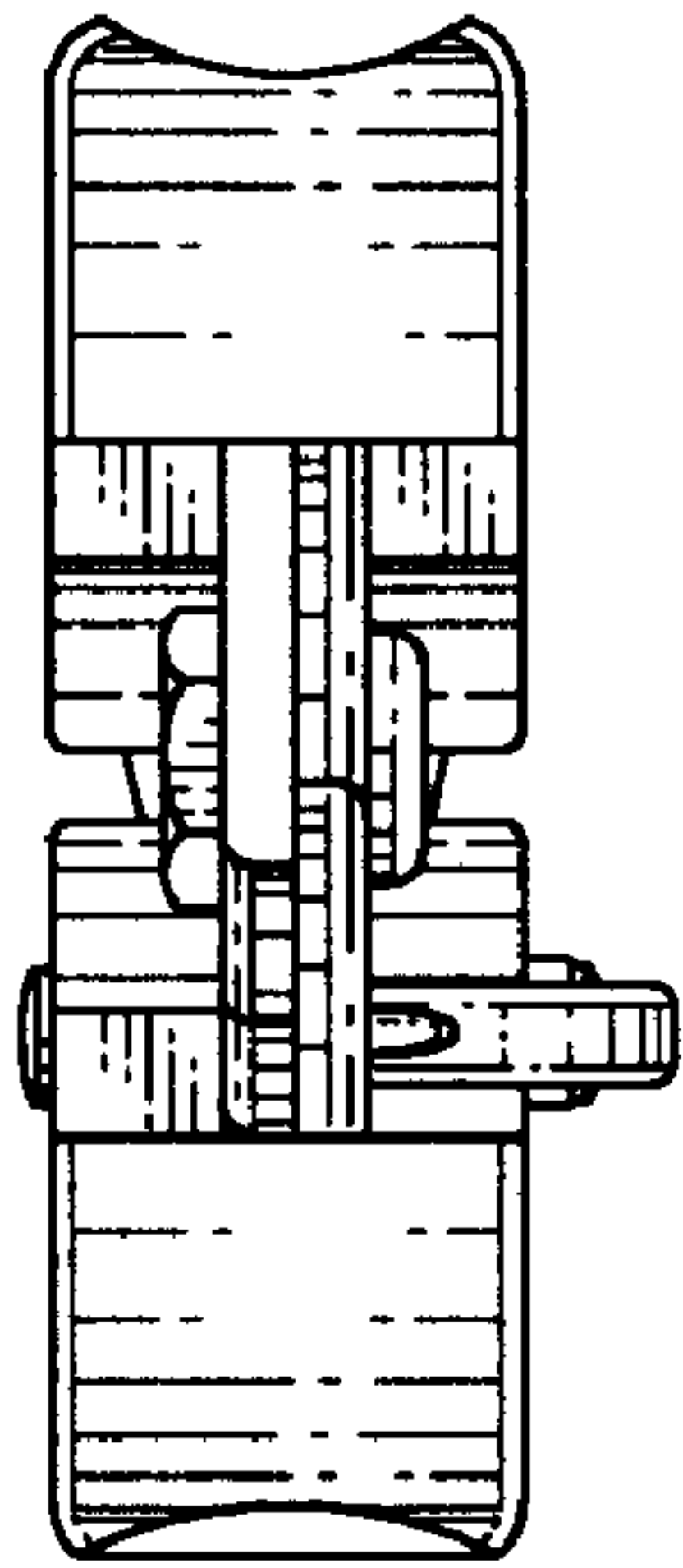


Fig.4

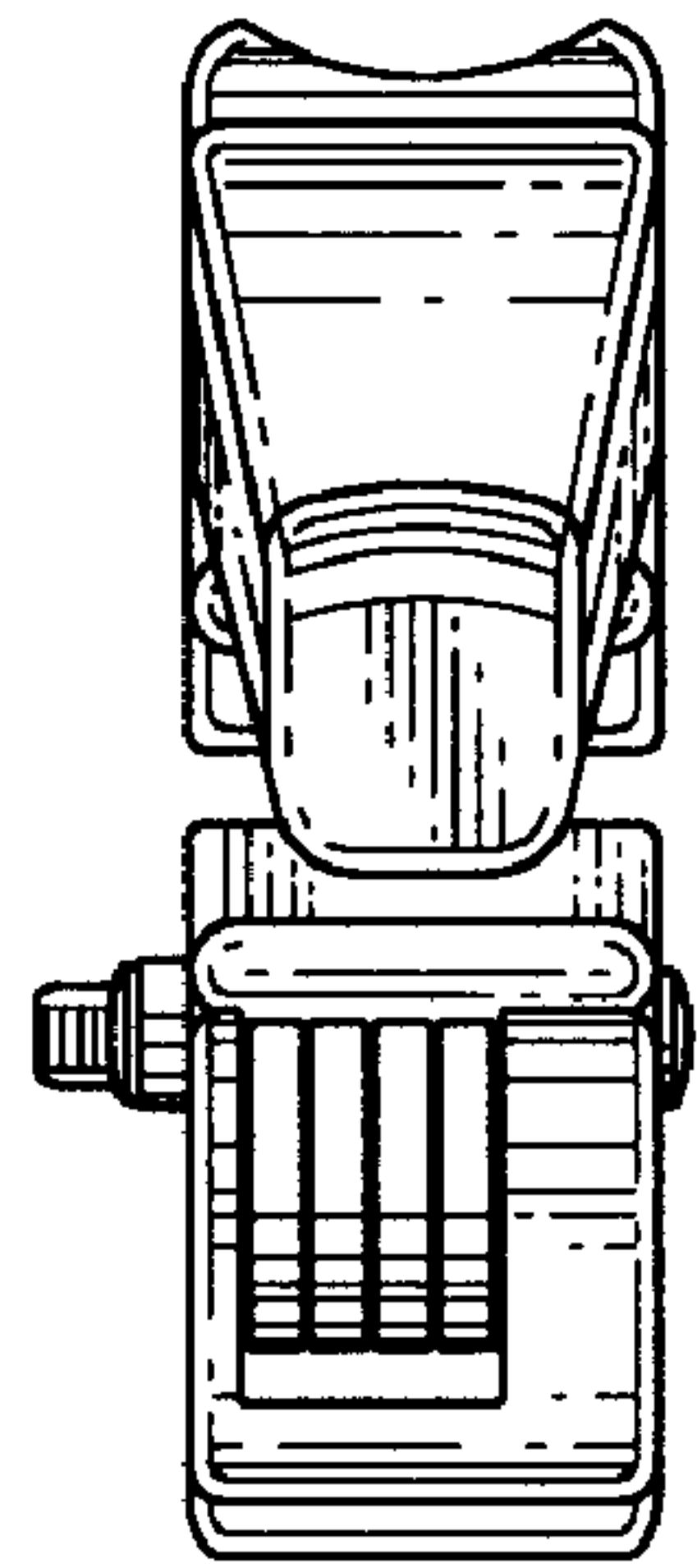


Fig.5

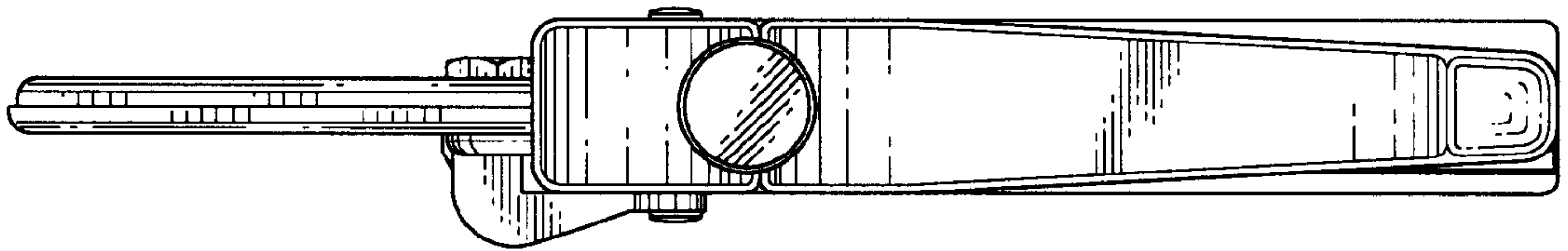


Fig.6

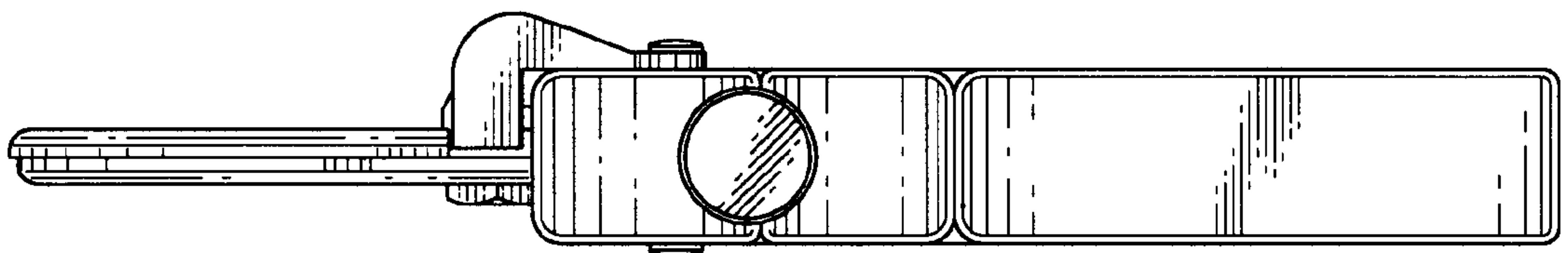


Fig. 7

