



US00D445318S

(12) **United States Design Patent**
Wellnitz

(10) **Patent No.:** **US D445,318 S**

(45) **Date of Patent:** **** Jul. 24, 2001**

(54) **GARDEN STAKE**

2,650,454 * 9/1953 Wurdinger D8/1

(76) Inventor: **Cheryl A. Wellnitz**, 3735 Boy Scout Rd., Bay City, MI (US) 48706

* cited by examiner

(**) Term: **14 Years**

Primary Examiner—Robin V. Taylor
(74) *Attorney, Agent, or Firm*—Reising, Ethington, Barnes, Kisselle, Learman & McCulloch, P.C.

(21) Appl. No.: **29/128,492**

(57) **CLAIM**

(22) Filed: **Aug. 25, 2000**

The ornamental design for a garden stake, as shown and described.

(51) **LOC (7) Cl.** **08-01**

(52) **U.S. Cl.** **D8/1**

(58) **Field of Search** D8/1; 47/44, 46, 47/47

DESCRIPTION

(56) **References Cited**

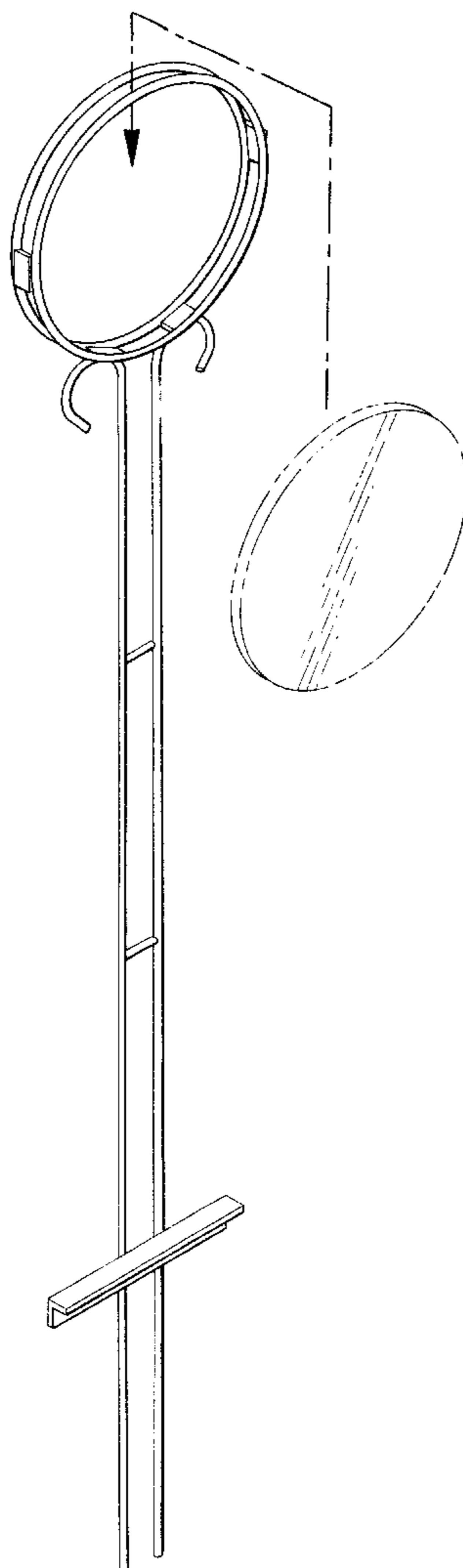
U.S. PATENT DOCUMENTS

D. 157,366	*	2/1950	Gerth	D8/1
D. 343,552	*	1/1994	Walters	D8/1
D. 409,458	*	5/1999	Brown	D8/1
D. 436,019	*	1/2001	Thomas	D8/1
2,447,444	*	8/1948	Waite	47/44

FIG. 1 is a front perspective view;
FIG. 2 is a front elevation view;
FIG. 3 is a side elevation view;
FIG. 4 is a top plan view;
FIG. 5 is a bottom plan view; and,
FIG. 6 is rear elevation view.

The broken line showing is for illustrative purposes only and forms no part of the claimed design.

1 Claim, 2 Drawing Sheets



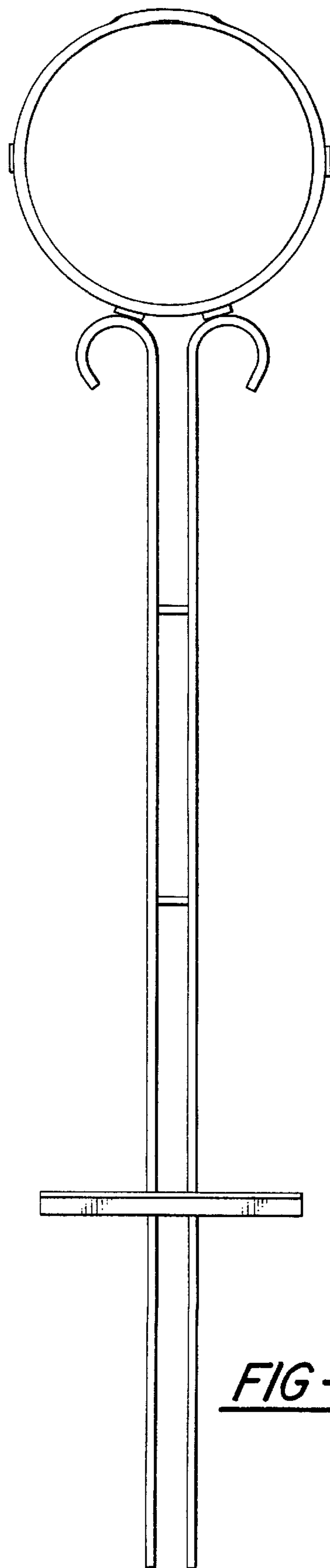
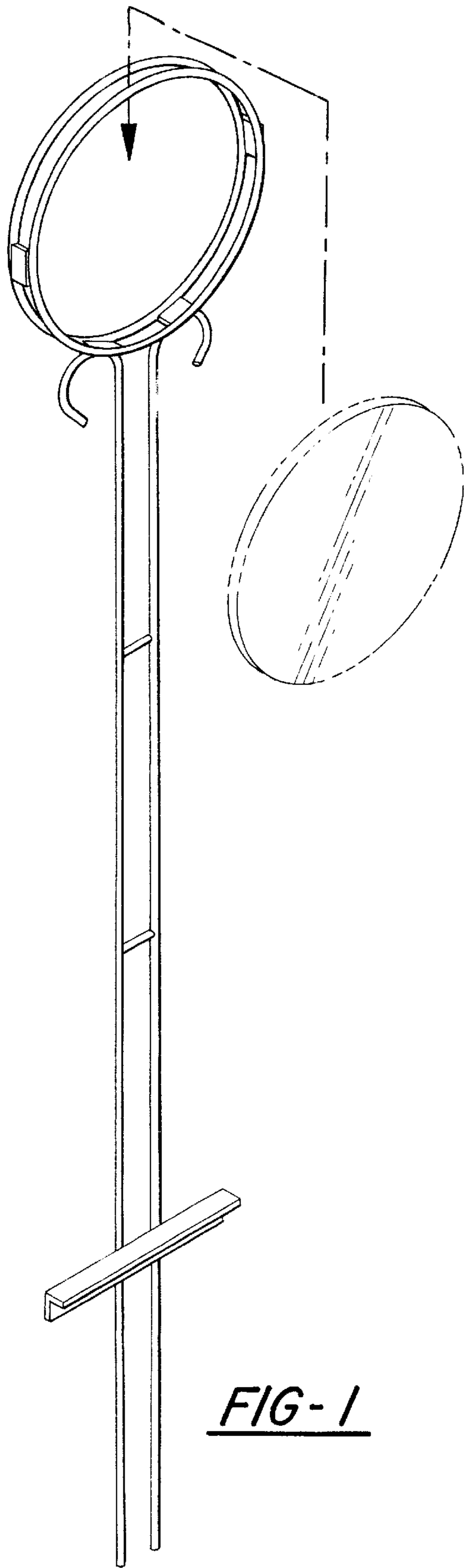




FIG-3

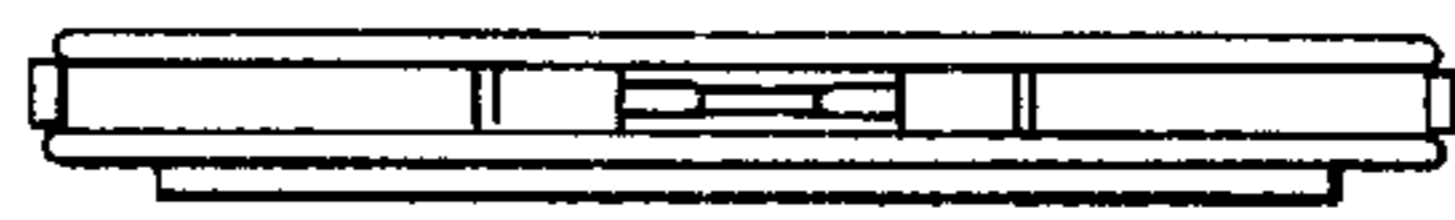


FIG-4

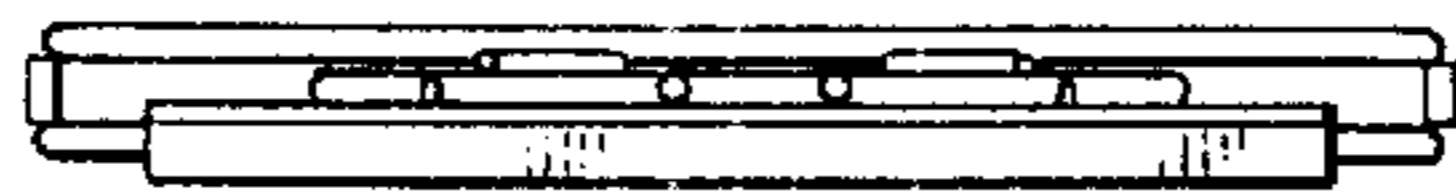


FIG-5

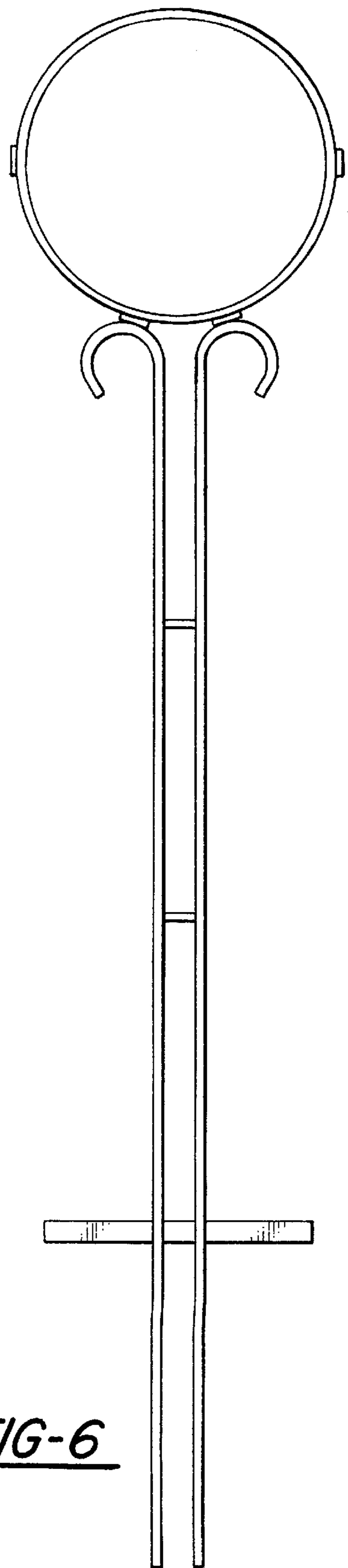


FIG-6