



US00D445308S

(12) **United States Design Patent**
Oxley

(10) **Patent No.:** **US D445,308 S**

(45) **Date of Patent:** **** Jul. 24, 2001**

(54) **THEATER SEATBACK CUP HOLDER**

D. 423,884 * 5/2000 Greenwood D7/620
5,813,644 * 9/1998 Bergin 248/311.2

(75) Inventor: **Catherine Young Oxley**, Kansas City, MO (US)

* cited by examiner

(73) Assignee: **Cy Young Industries, Inc.**, North Kansas City, MO (US)

Primary Examiner—Terry A. Wallace

(74) *Attorney, Agent, or Firm*—Wm Bruce Day

(**) Term: **14 Years**

(57) **CLAIM**

The ornamental design for a theater seatback cup holder, as shown and described.

(21) Appl. No.: **29/126,313**

(22) Filed: **Jul. 13, 2000**

DESCRIPTION

(51) **LOC (7) Cl.** **07-06**

(52) **U.S. Cl.** **D7/620**

(58) **Field of Search** D7/619–625; D6/512, D6/535, 553, 559; D12/411, 419, 420; 211/74; 220/737; 248/311.2, 311.3, 312.1, 309.1; 297/188.04, 188.06, 188.2

FIG. 1. is a side elevational view of a theater seatback cup holder according to the present invention, the other side being a mirror image thereof;

FIG. 2 is a plan view of the theater seatback cup holder;

FIG. 3 is a bottom view of the theater seatback cup holder;

FIG. 4 is a front elevational view of the theater seatback cup holder;

FIG. 5 is a rear elevational view of the theater seatback cup holder; and,

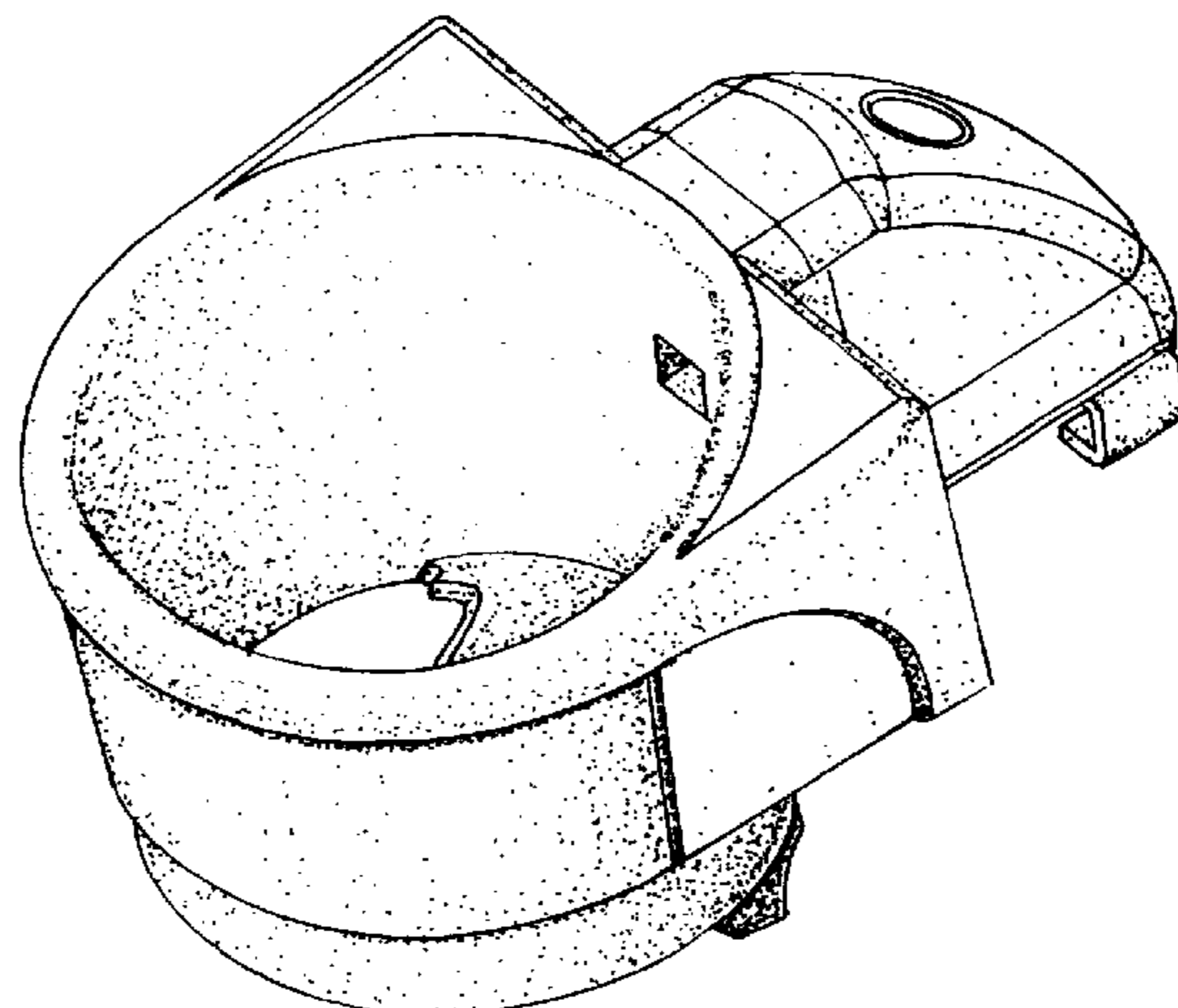
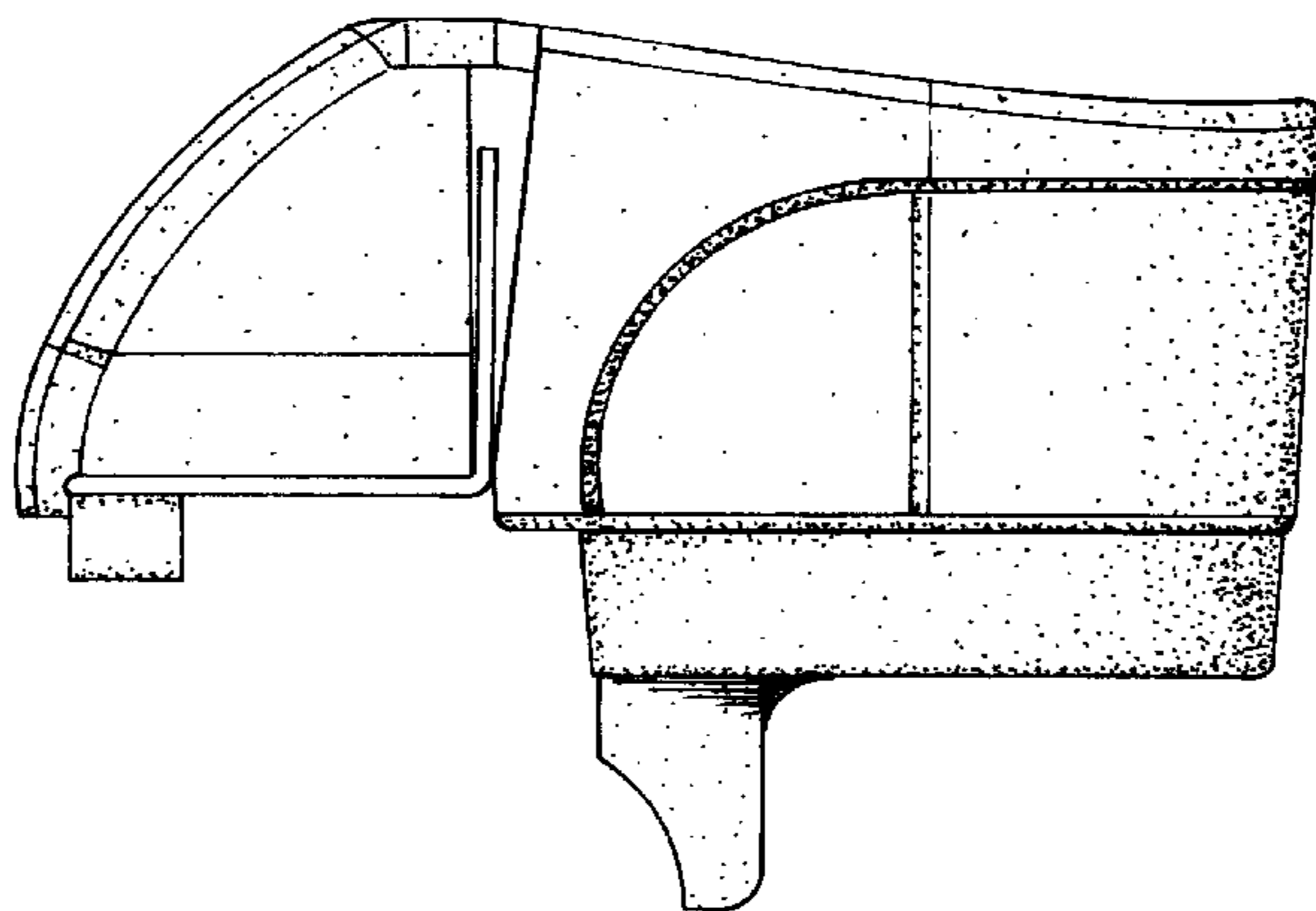
FIG. 6 is a perspective view of the theater seatback cup holder.

(56) **References Cited**

U.S. PATENT DOCUMENTS

- D. 307,852 5/1990 Clark D7/620
- D. 328,223 7/1992 Clark D7/622
- D. 373,935 * 9/1996 Cole et al. D7/620 X

1 Claim, 2 Drawing Sheets



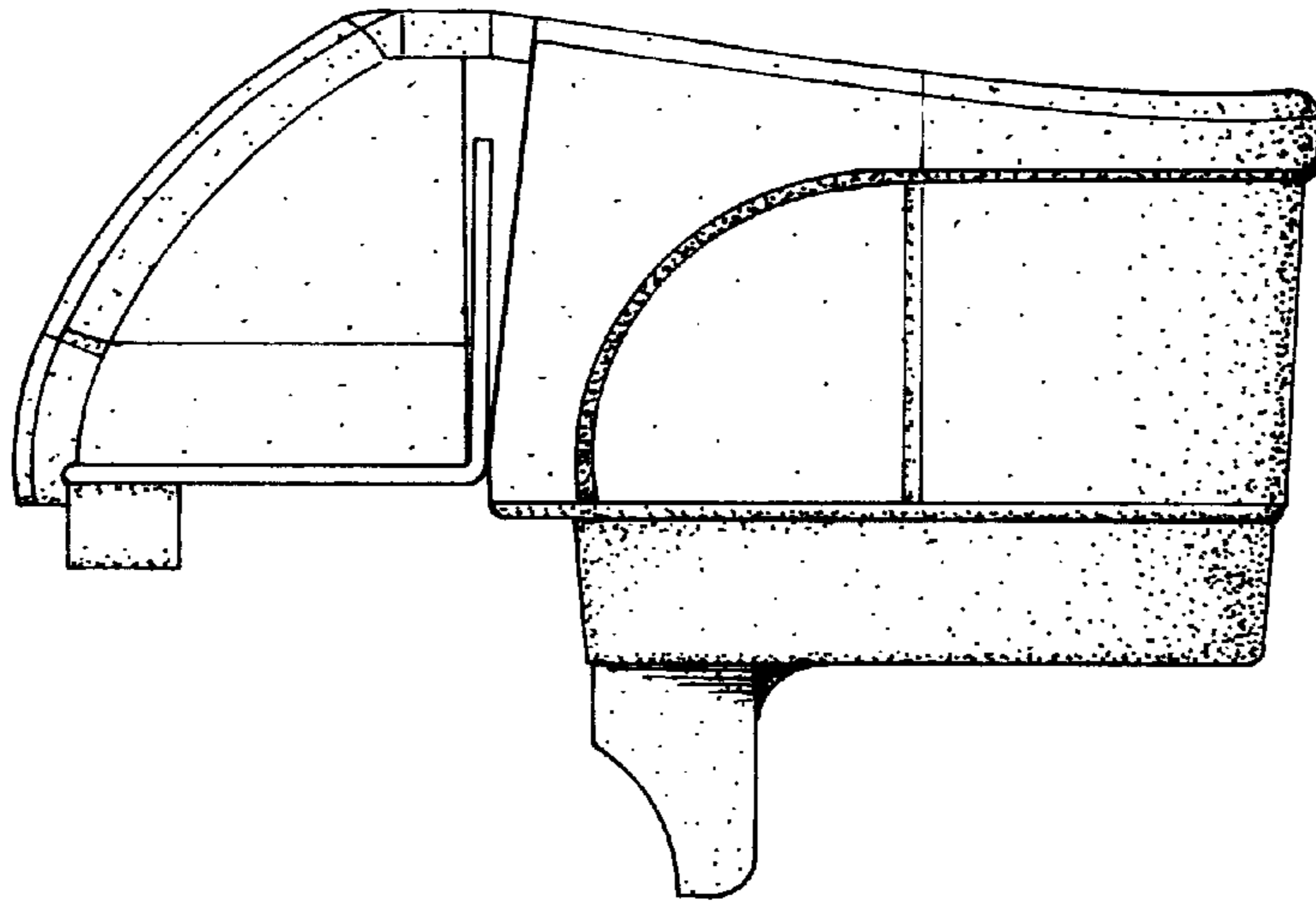


Fig. 1

Fig. 2

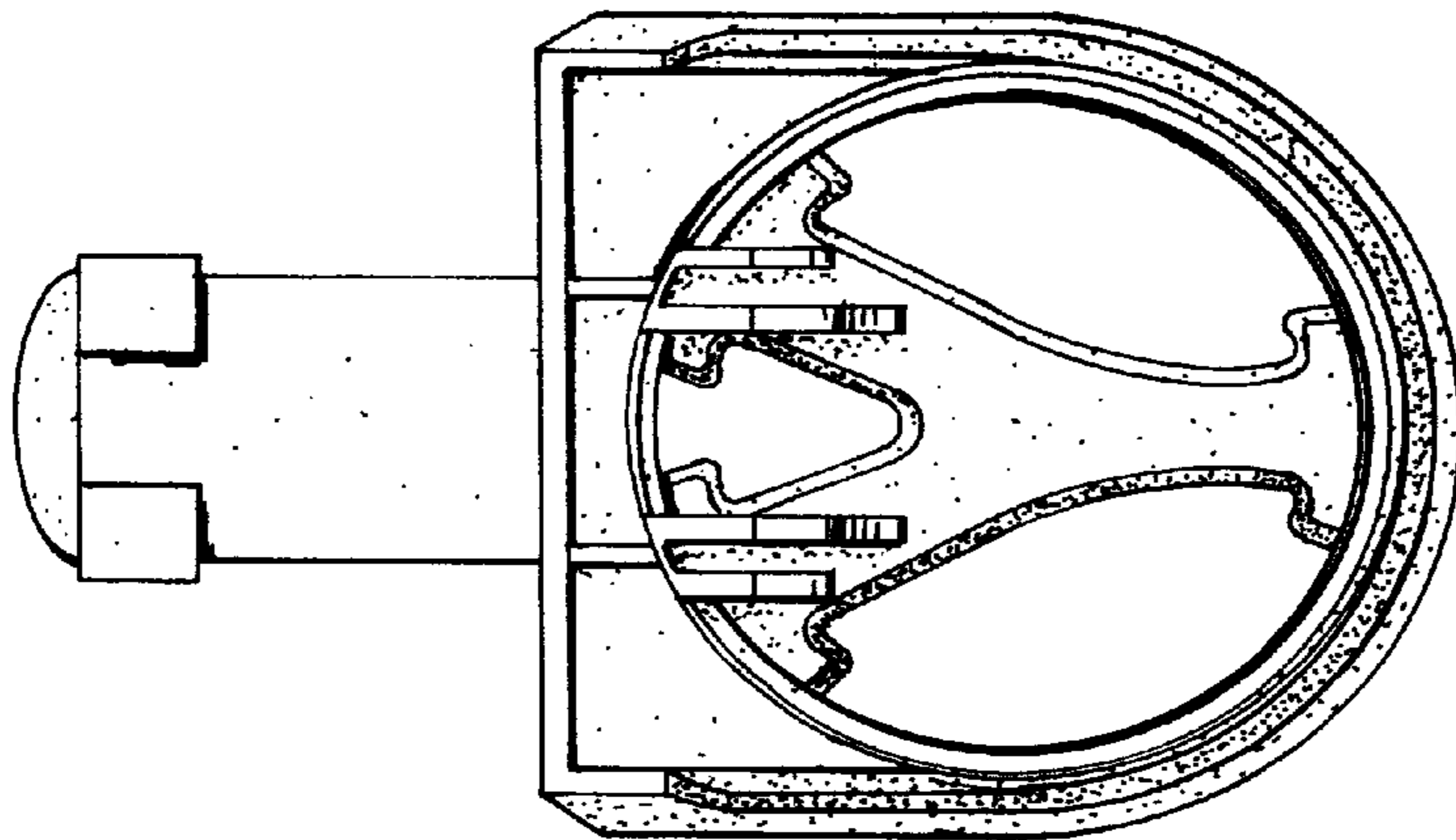
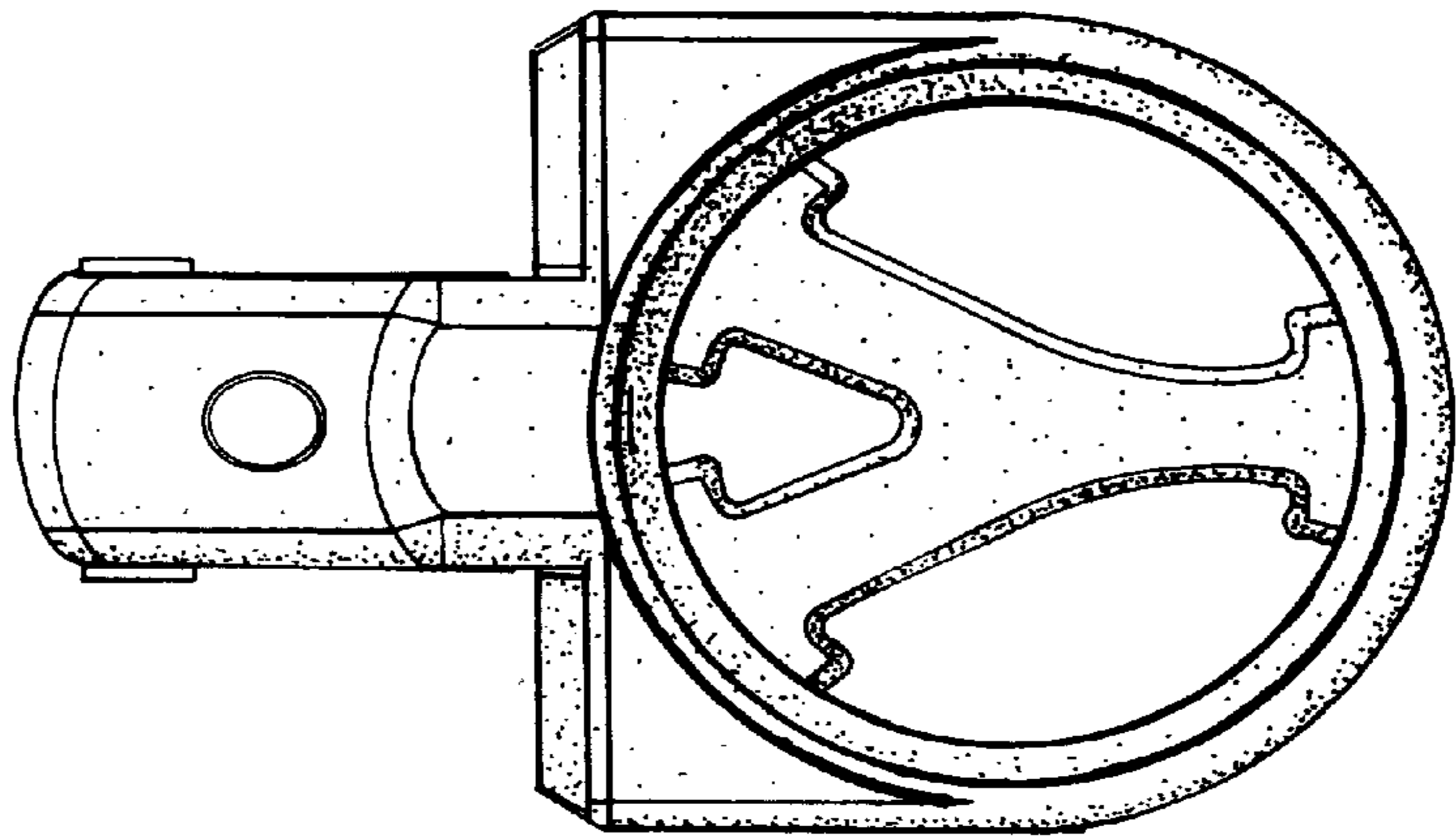


Fig. 3

Fig. 4

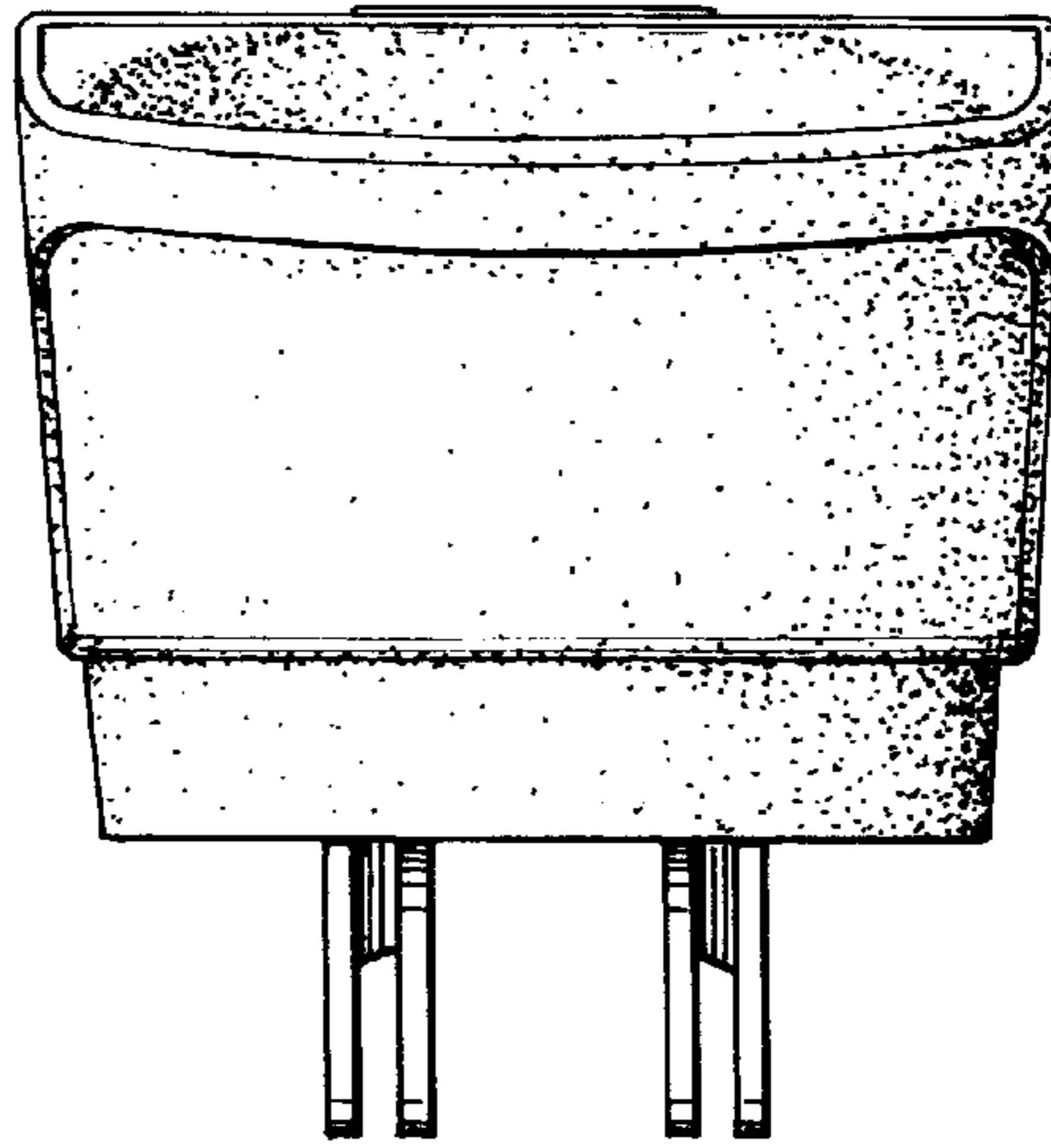


Fig. 5

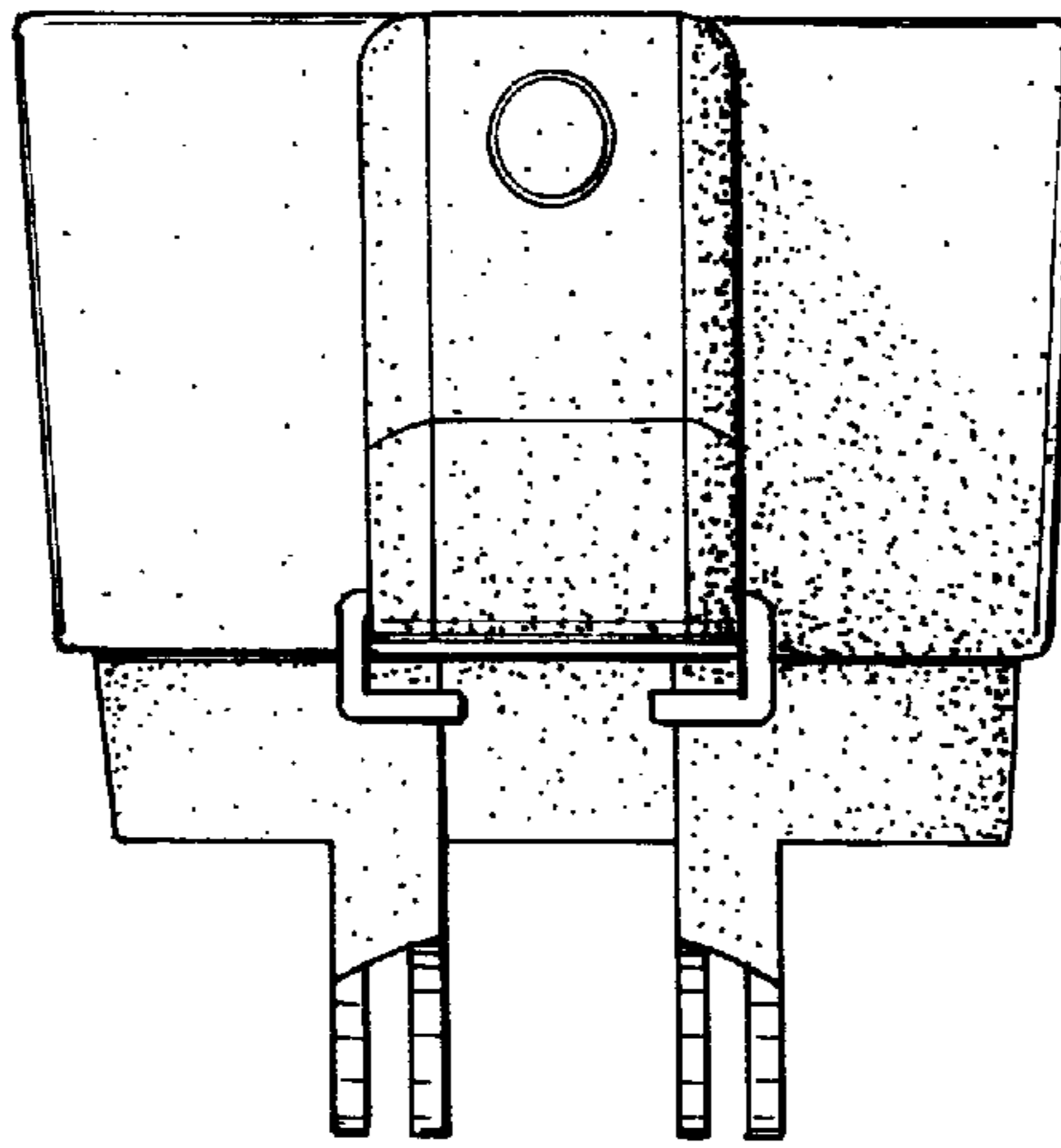


Fig. 6

