



US00D445307S

(12) **United States Design Patent**
Fickle

(10) **Patent No.:** **US D445,307 S**

(45) **Date of Patent:** **** Jul. 24, 2001**

(54) **COOLER LID**

D. 416,477 * 11/1999 Levy et al. D7/605
6,047,976 * 4/2000 Wang 220/915.1

(75) Inventor: **Gretchen L. Fickle**, Columbus, OH
(US)

* cited by examiner

(73) Assignee: **Butler Cooler LTD**, Westerville, OH
(US)

Primary Examiner—Terry A. Wallace
(74) *Attorney, Agent, or Firm*—Arter & Hadden LLP;
Robert R. Lech

(**) Term: **14 Years**

(57) **CLAIM**

(21) Appl. No.: **29/128,964**

I claim the ornamental design for a cooler lid, as shown and described.

(22) Filed: **Sep. 1, 2000**

(51) **LOC (7) Cl.** **07-01**

(52) **U.S. Cl.** **D7/605**

(58) **Field of Search** D7/605–607; D3/273,
D3/274; 62/371–372, 457.1, 457.7; 220/592.2,
592.24, 592.25, 915.1, 915.2

DESCRIPTION

(56) **References Cited**

U.S. PATENT DOCUMENTS

- D. 308,319 * 6/1990 Spaggiari D7/605
- D. 309,239 * 7/1990 Deines et al. D7/605
- D. 388,282 * 12/1997 Floyd et al. D7/605
- D. 400,053 * 10/1998 Coffee et al. D7/605

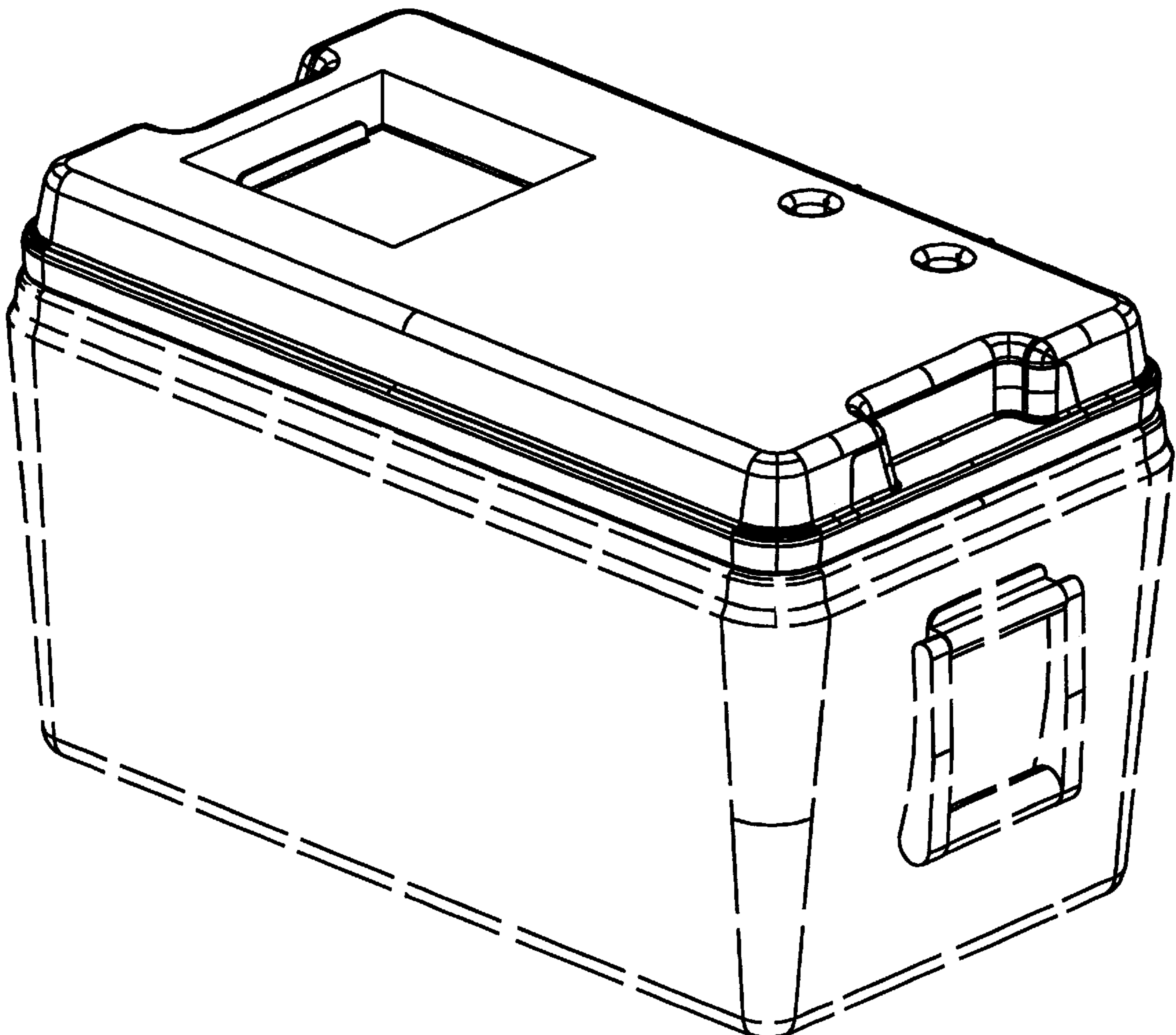
FIG. 1 is a perspective view of the cooler lid of the present invention having a closed access door and a closed tray accessory;

FIG. 2 is a view of the cooler lid of FIG. 1 having an open access door and an open tray accessory; and,

FIG. 3 is a bottom elevational view of the cooler lid of FIG. 1 having an open access door and a closed tray accessory.

The broken lines are for illustrative purposes only and form no part of the claimed design.

1 Claim, 3 Drawing Sheets



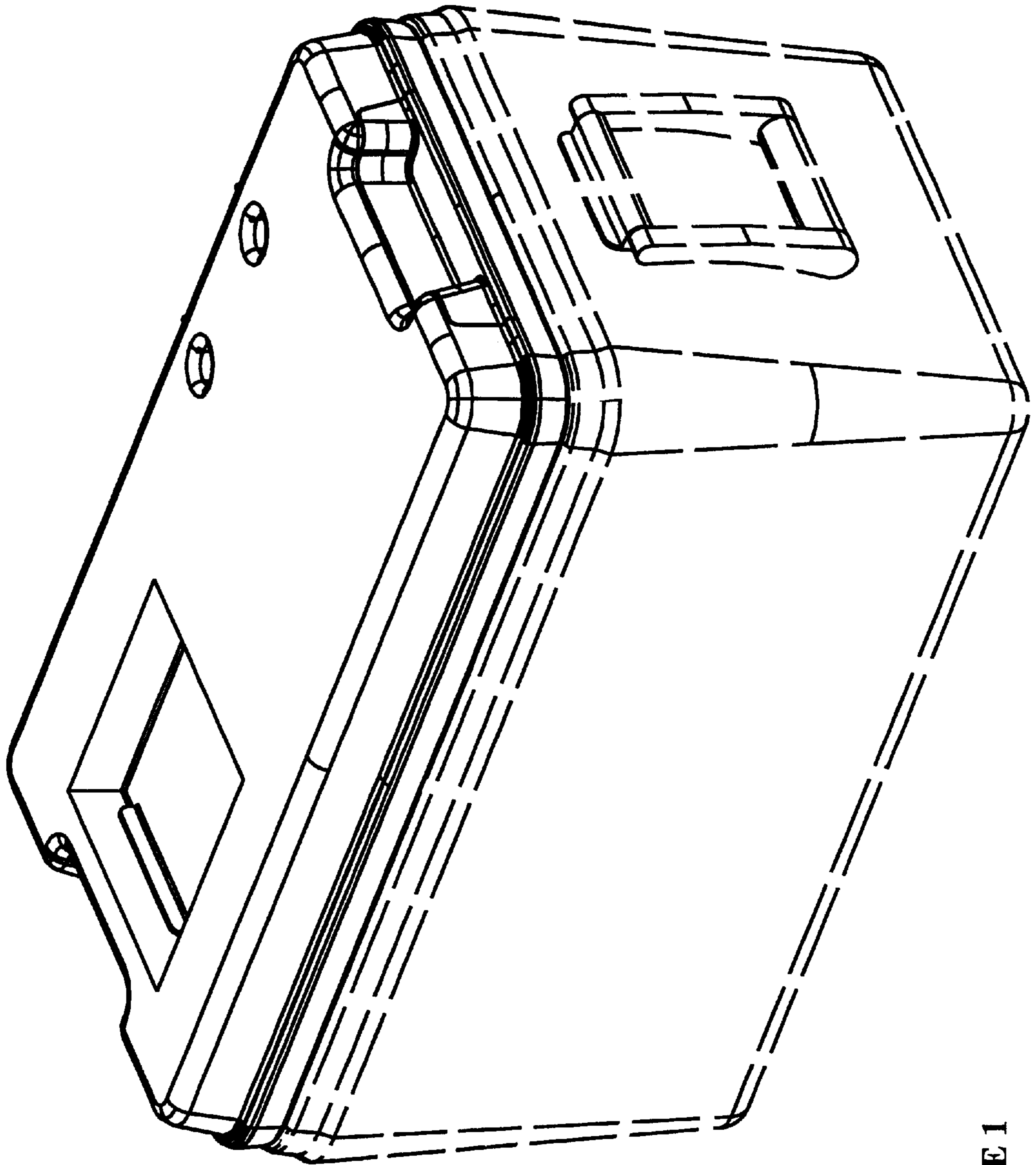


FIGURE 1

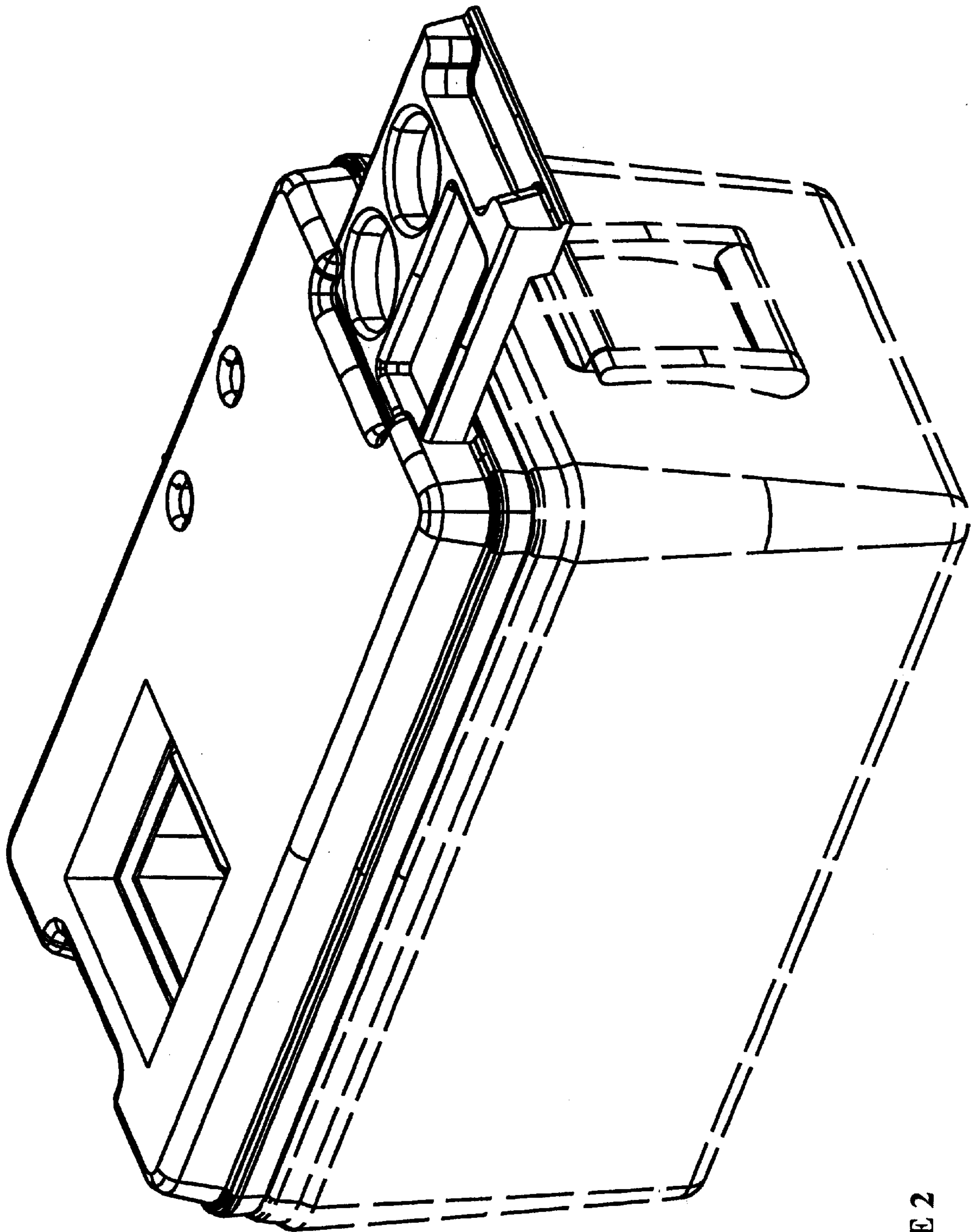


FIGURE 2

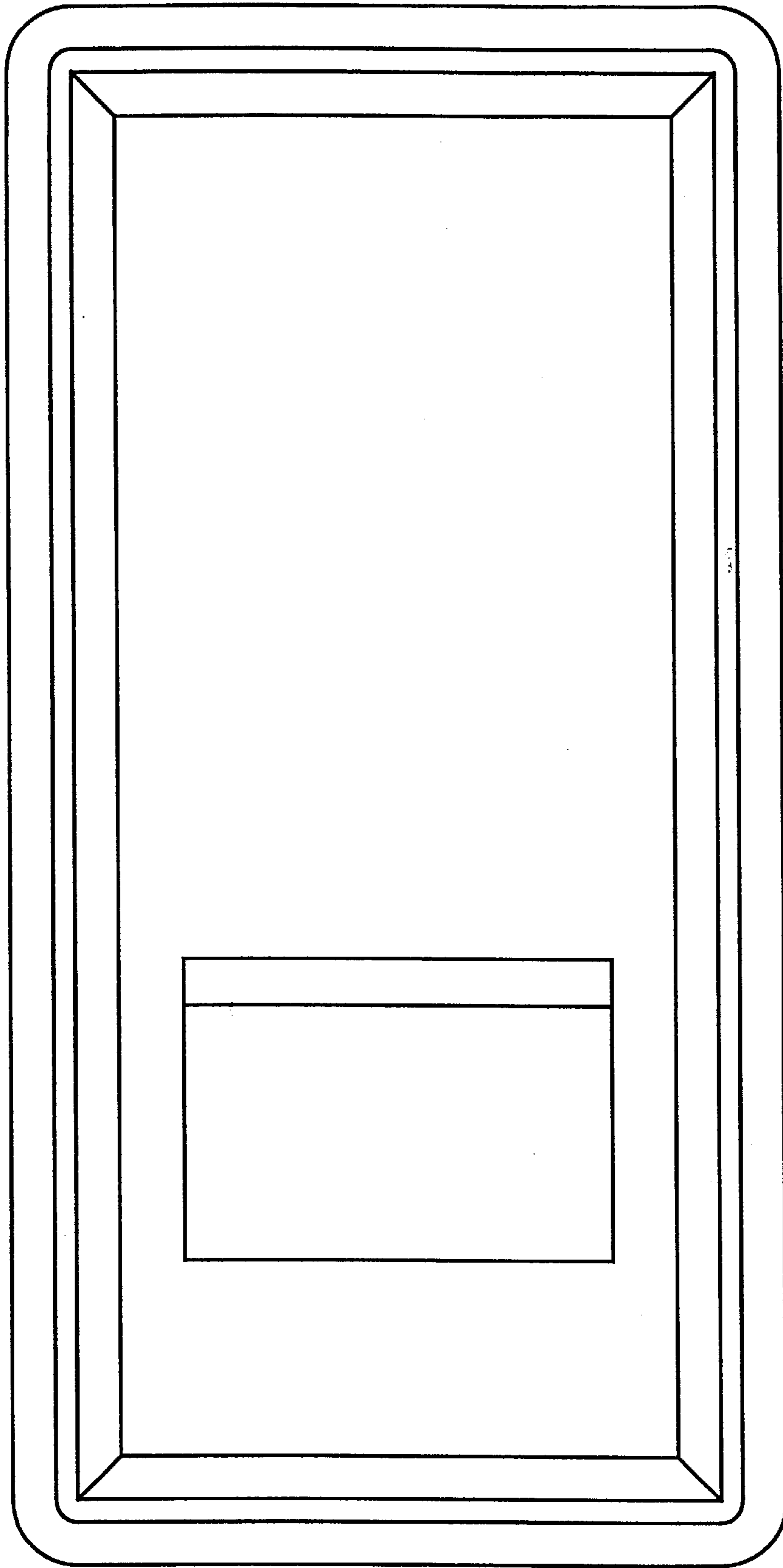


Figure 3