



US00D445305S

(12) **United States Design Patent**
Dutour

(10) **Patent No.:** **US D445,305 S**

(45) **Date of Patent:** **** Jul. 24, 2001**

(54) **SALT SHAKER**

(76) Inventor: **Benoit Dutour**, 153 A Landmark Dr.,
Taylors, SC (US) 29687

(**) Term: **14 Years**

(21) Appl. No.: **29/126,023**

(22) Filed: **Jul. 6, 2000**

(51) **LOC (7) Cl.** **07-06**

(52) **U.S. Cl.** **D7/591; D7/594**

(58) **Field of Search** D7/591-597; 222/142.1-142.9,
222/457.5, 480; D9/515, 559, 560

(56) **References Cited**

U.S. PATENT DOCUMENTS

D. 306,267	*	2/1990	Stewart	D7/597 X
D. 309,403		7/1990	Pierotti .		
D. 341,751		11/1993	Ancona et al. .		
D. 382,488	*	8/1997	Ja	D9/560
D. 408,688		4/1999	Fabry .		
3,237,819	*	3/1966	Fillmore	222/548

OTHER PUBLICATIONS

Pacprod.com—Cadillac Salt and Peper Shakers—Item #7462.

Pacprod.com—Airplanes New York to Paris Salt and Peper Shaker Item #920.

Paacprod.com—D Corvette Salt and Pepper Shaker—Item #480398.

* cited by examiner

Primary Examiner—Terry A. Wallace

(57) **CLAIM**

We claim the ornamental design for “salt shaker”, as shown and described.

DESCRIPTION

FIG. 1 is a front perspective view of a salt shaker showing our new design,

FIG. 2 is a top plan view thereof,

FIG. 3 is a left side elevational view thereof,

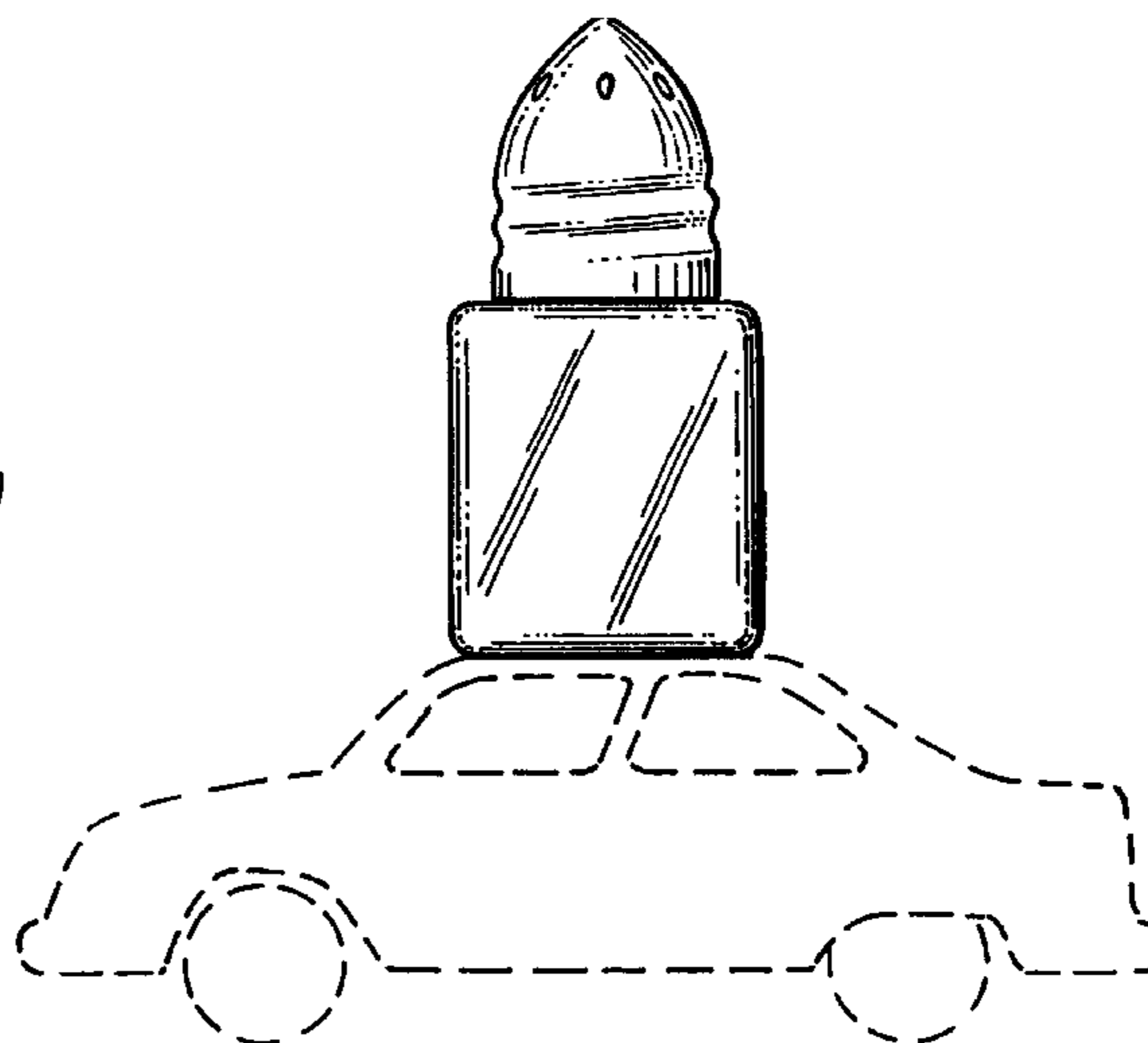
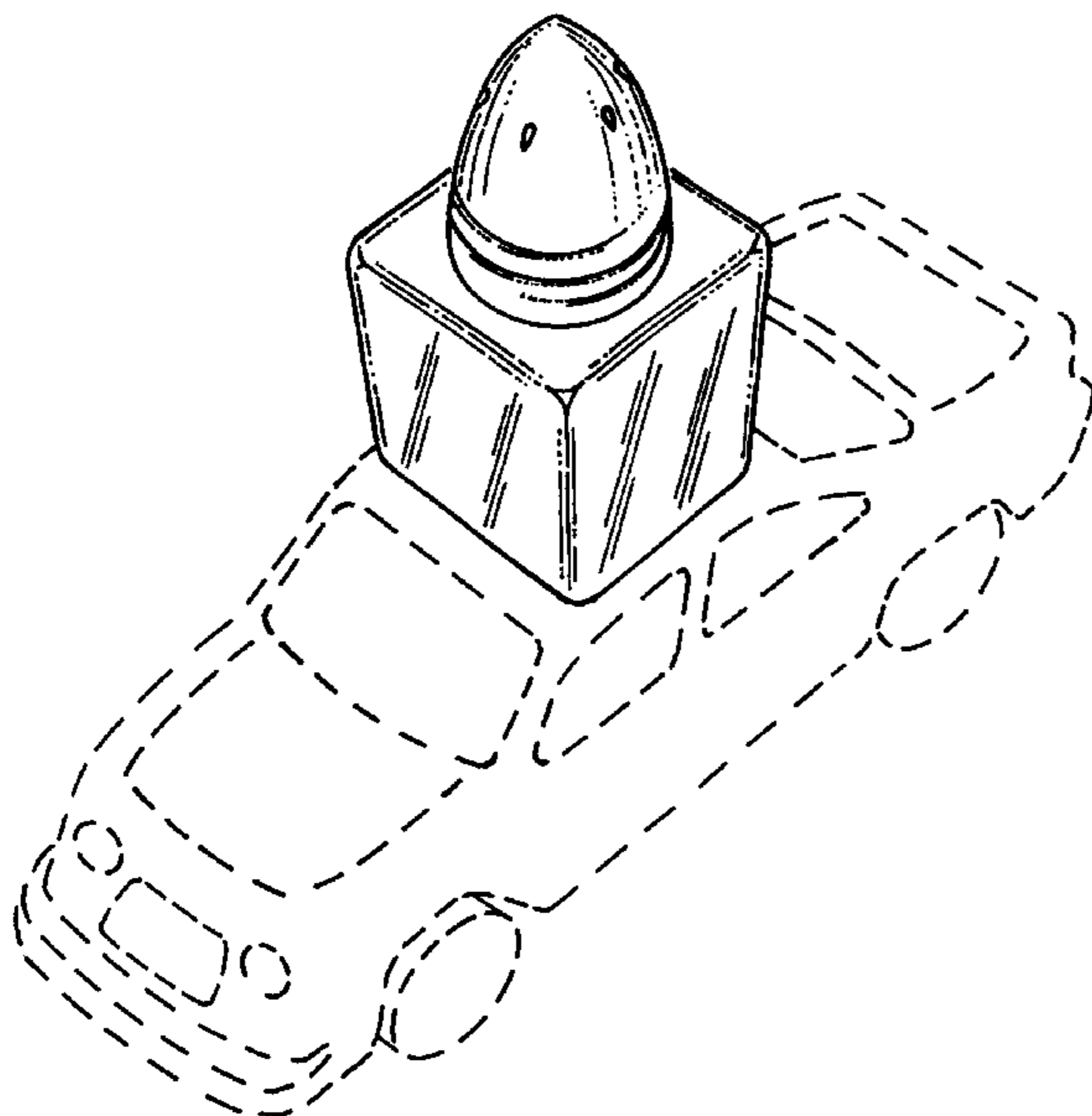
FIG. 4 is a right side elevational view thereof,

FIG. 5 is a front elevational view thereof; and

FIG. 6 is a rear elevational view thereof.

The broken lines are for illustrative purposes only and form no part of the claime design.

1 Claim, 3 Drawing Sheets



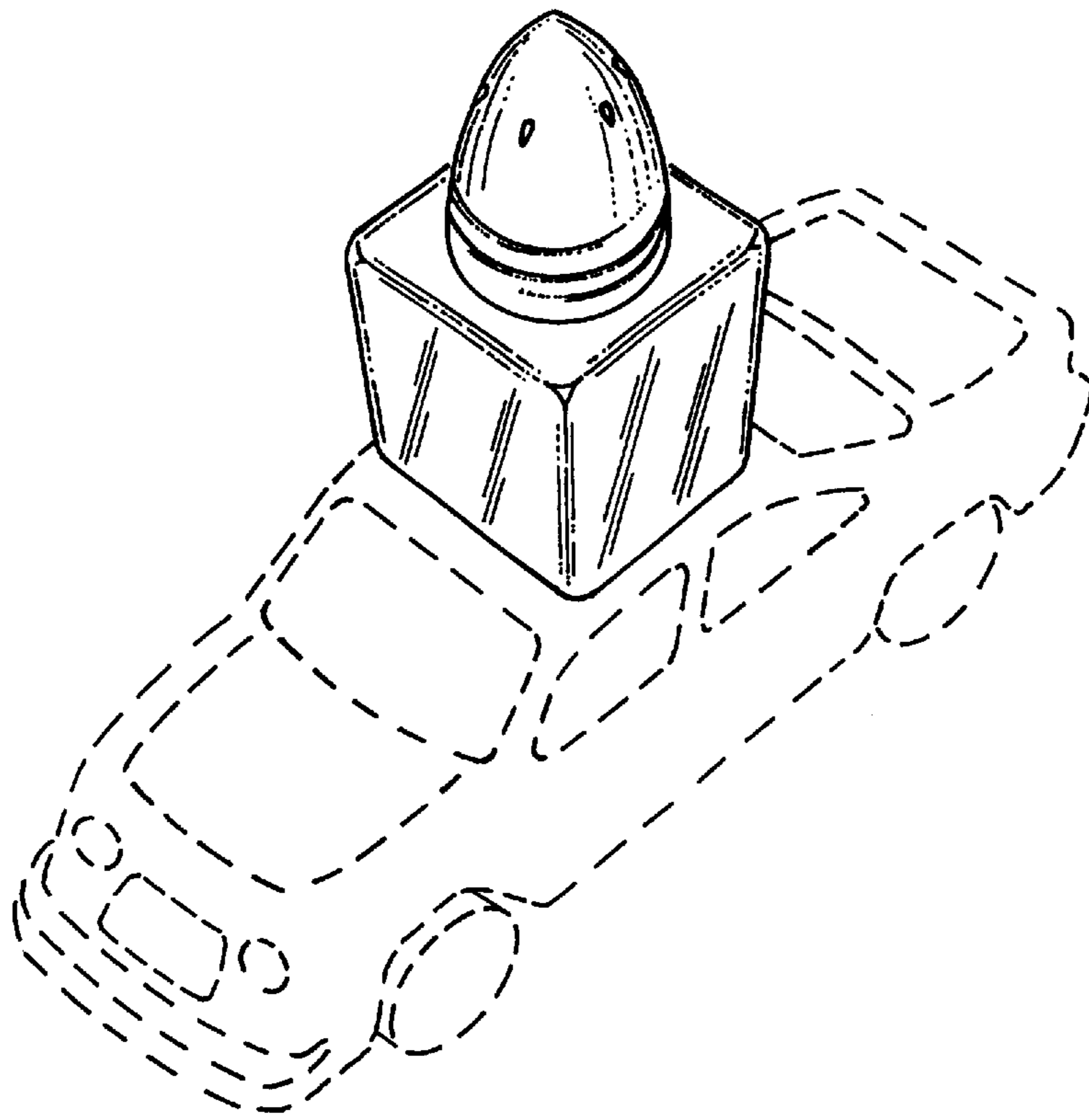


Fig. 1

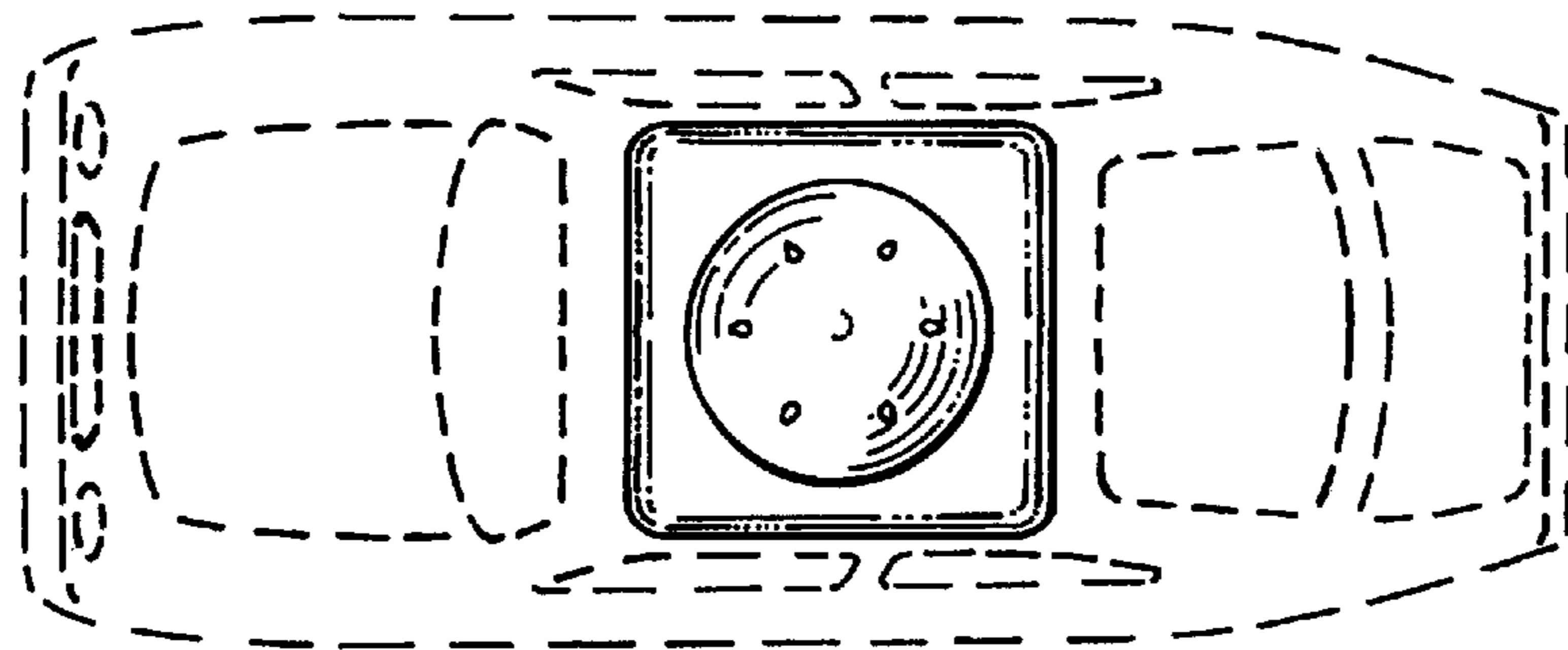


Fig. 2

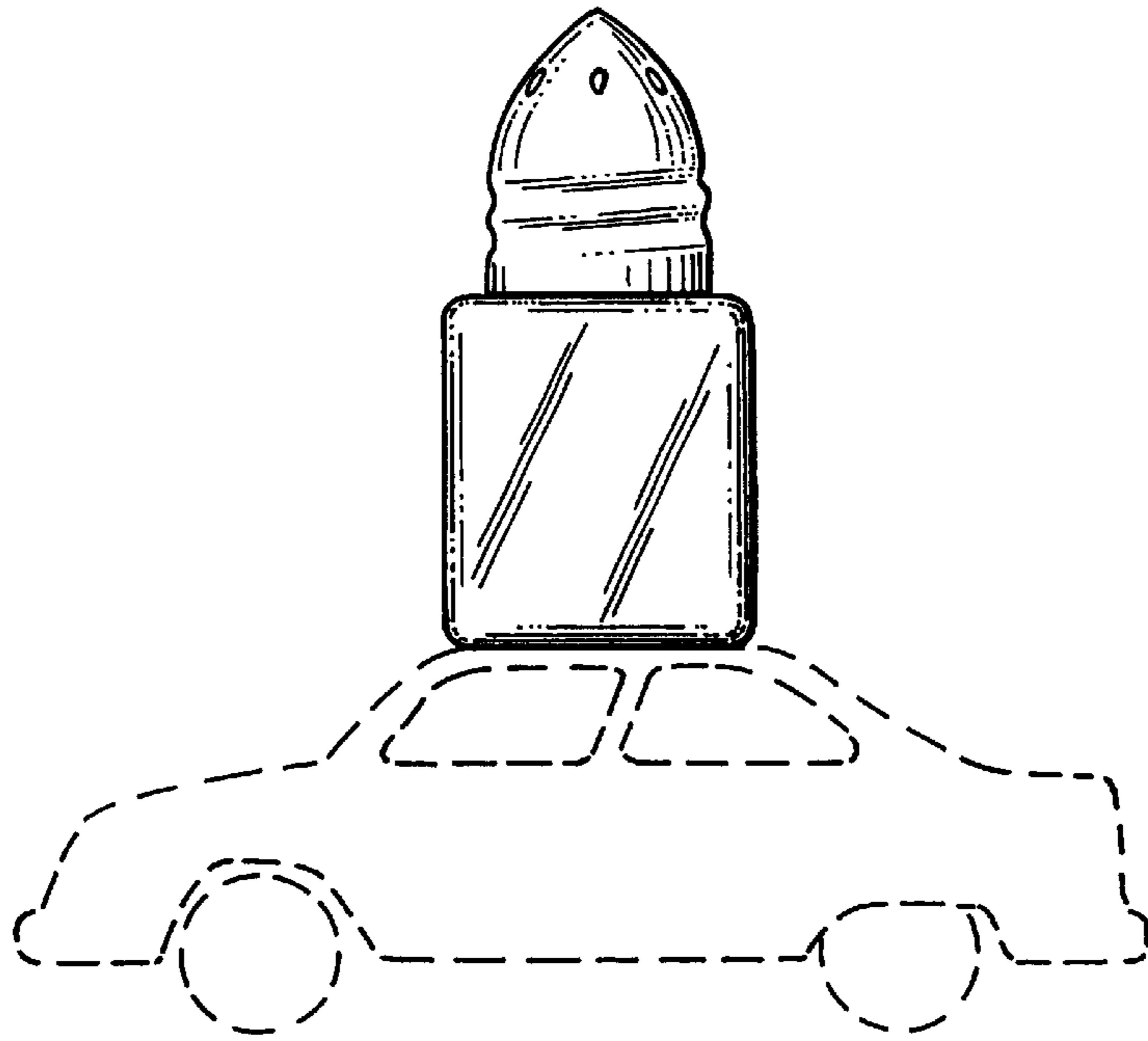


Fig. 3

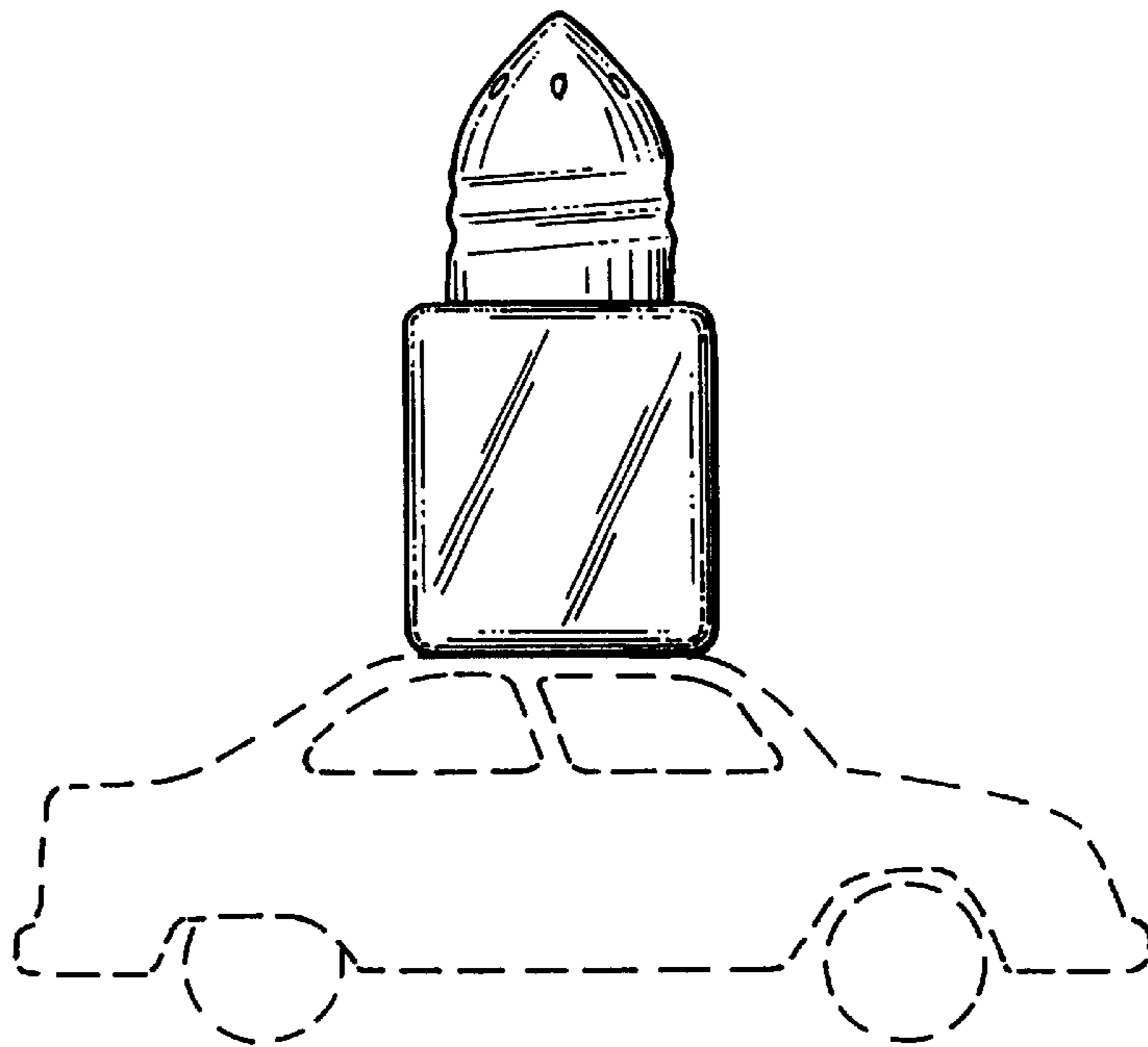


Fig. 4

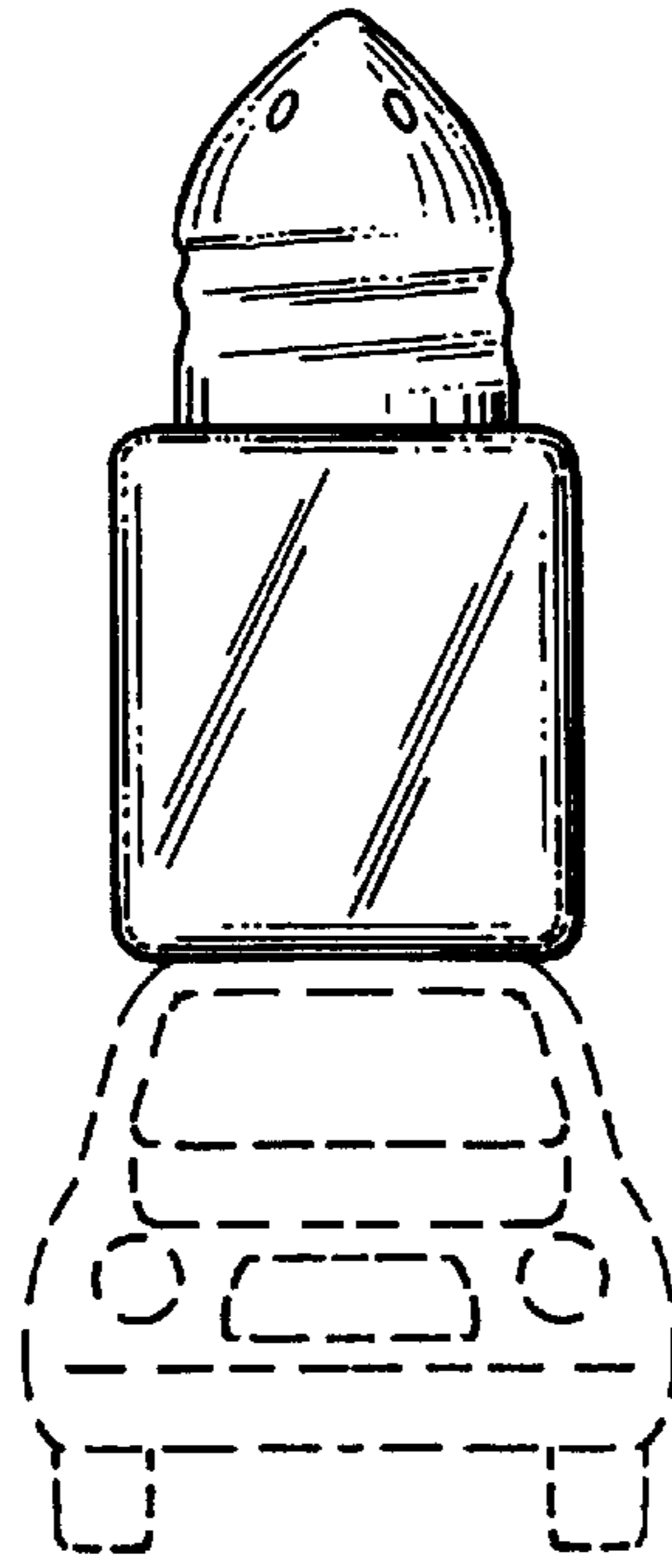


Fig. 5

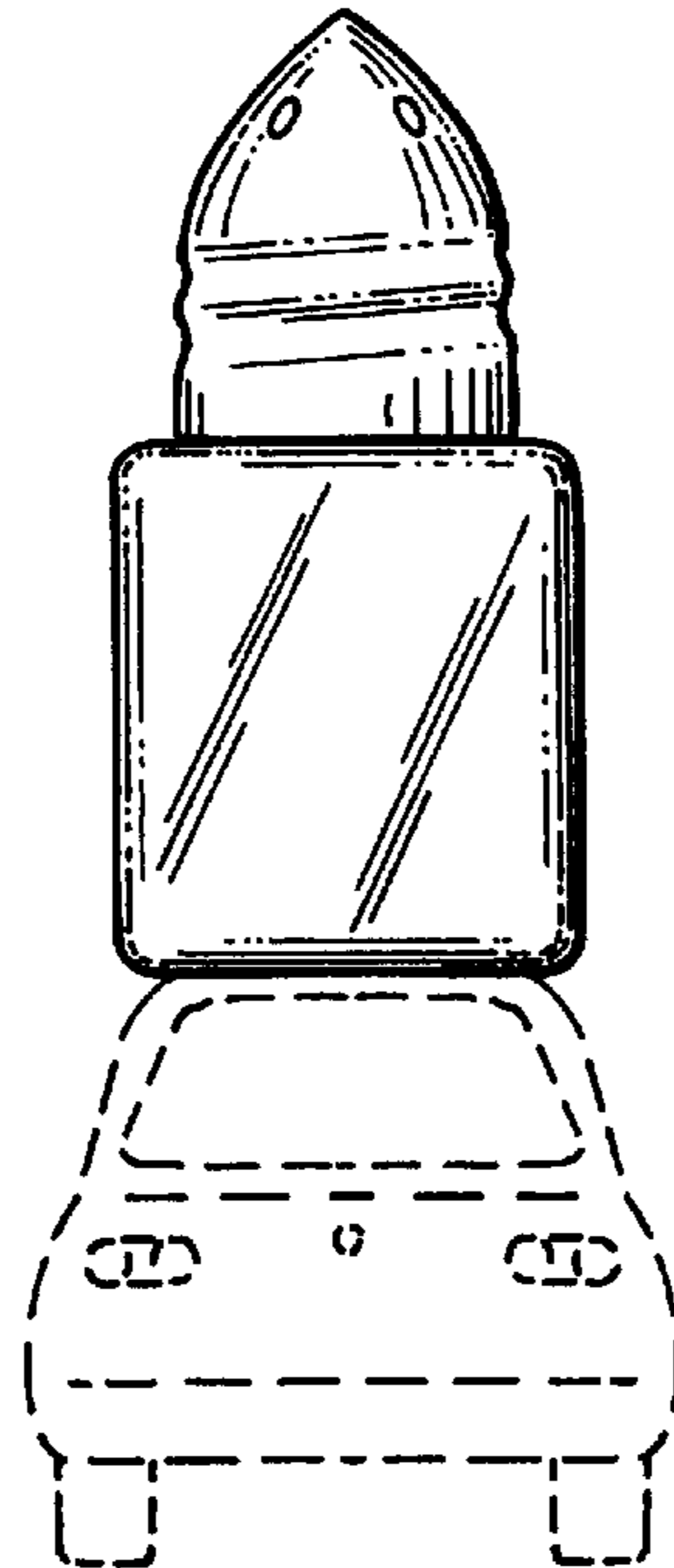


Fig. 6