



US00D445299S

(12) **United States Design Patent**
Spagnolo et al.

(10) **Patent No.:** **US D445,299 S**

(45) **Date of Patent:** **** Jul. 24, 2001**

(54) **FOOD PROCESSOR**

(75) Inventors: **Pino Spagnolo**, Turin (IT); **Theodore B. Mulle**, New Milford, CT (US)

(73) Assignee: **Conair Corporation**, Stamford, CT (US)

(**) Term: **14 Years**

(21) Appl. No.: **29/119,967**

(22) Filed: **Mar. 10, 2000**

(51) **LOC (7) Cl.** **31-00**

(52) **U.S. Cl.** **D7/384**

(58) **Field of Search** D7/376-378, 384,
D7/386, 412, 413; 366/129, 130, 197, 199,
204, 205, 314; 241/282.1; 99/509-511

(56) **References Cited**

U.S. PATENT DOCUMENTS

D. 251,231	*	3/1979	Hashimoto	D7/384
D. 251,407		3/1979	Tsuji et al.	D7/384
D. 254,161	*	2/1980	Verdun	D7/384
D. 256,087	*	7/1980	Minami	D7/384
D. 258,109		2/1981	Fukumoto et al.	D7/384
D. 259,992		7/1981	Kahicke	.	
D. 261,718		11/1981	Harrison	D7/153
D. 277,634	*	2/1985	Doggett	D7/386
D. 290,676		7/1987	Stutzer et al.	D7/384
D. 296,860		7/1988	Maass	D7/384
D. 296,976		8/1988	Maass	D7/384
D. 298,204		10/1988	Mikami	D7/384
D. 324,322		3/1992	Barrault	D7/384

D. 325,322		4/1992	Maass	D7/384
D. 327,806	*	7/1992	Fleche	D7/384
D. 335,065		4/1993	Gildersleeve	D7/384
D. 390,413		2/1998	Hippen et al.	D7/384
D. 390,746		2/1998	Hippen et al.	D7/384
D. 404,247	*	1/1999	Spagnolo	D7/378
D. 410,816		6/1999	Crescenzi et al.	D7/384
D. 421,363		3/2000	Crescenzi et al.	D7/384
3,892,365		7/1975	Verdun	241/92
4,516,733		5/1985	Funagura et al.	241/79
4,691,870		9/1987	Fukunaga et al.	241/36
4,714,203		12/1987	Williams	241/36
5,222,430		6/1993	Wang	99/512

* cited by examiner

Primary Examiner—Caron D. Veynar

(74) *Attorney, Agent, or Firm*—Ohlandt, Greeley, Ruggiero & Perle, L.L.P.

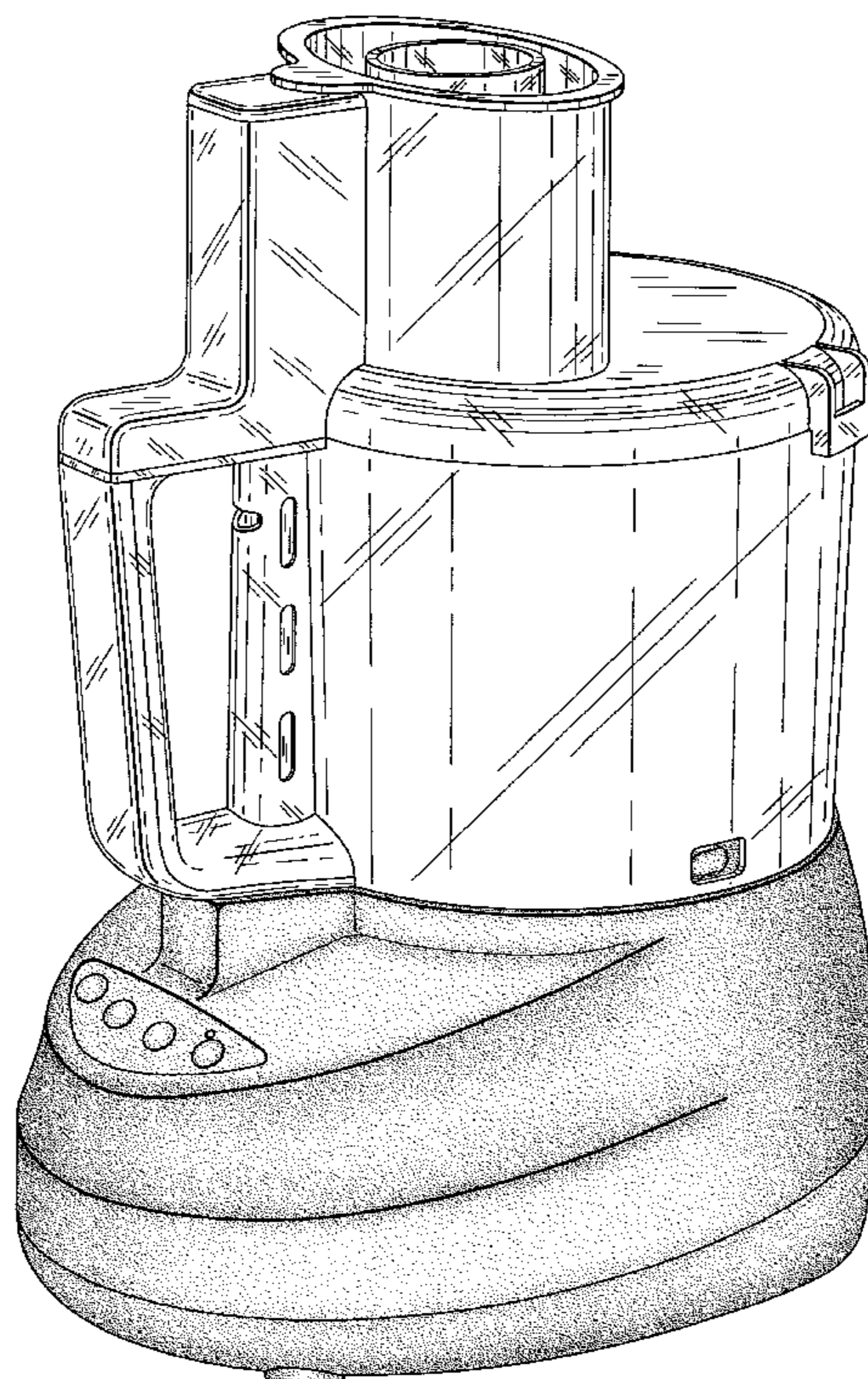
(57) **CLAIM**

The ornamental design for the food processor, as shown and described.

DESCRIPTION

FIG. 1 is a front view of a food processor showing my design;
FIG. 2 is a rear view of the food processor of FIG. 1;
FIG. 3 is a right side view of the food processor of FIG. 1;
FIG. 4 is a left side view of the food processor of FIG. 1;
FIG. 5 is a top view of the food processor of FIG. 1; and
FIG. 6 is a bottom view of the food processor of FIG. 1; and,
FIG. 7 is a perspective view thereof.

1 Claim, 6 Drawing Sheets



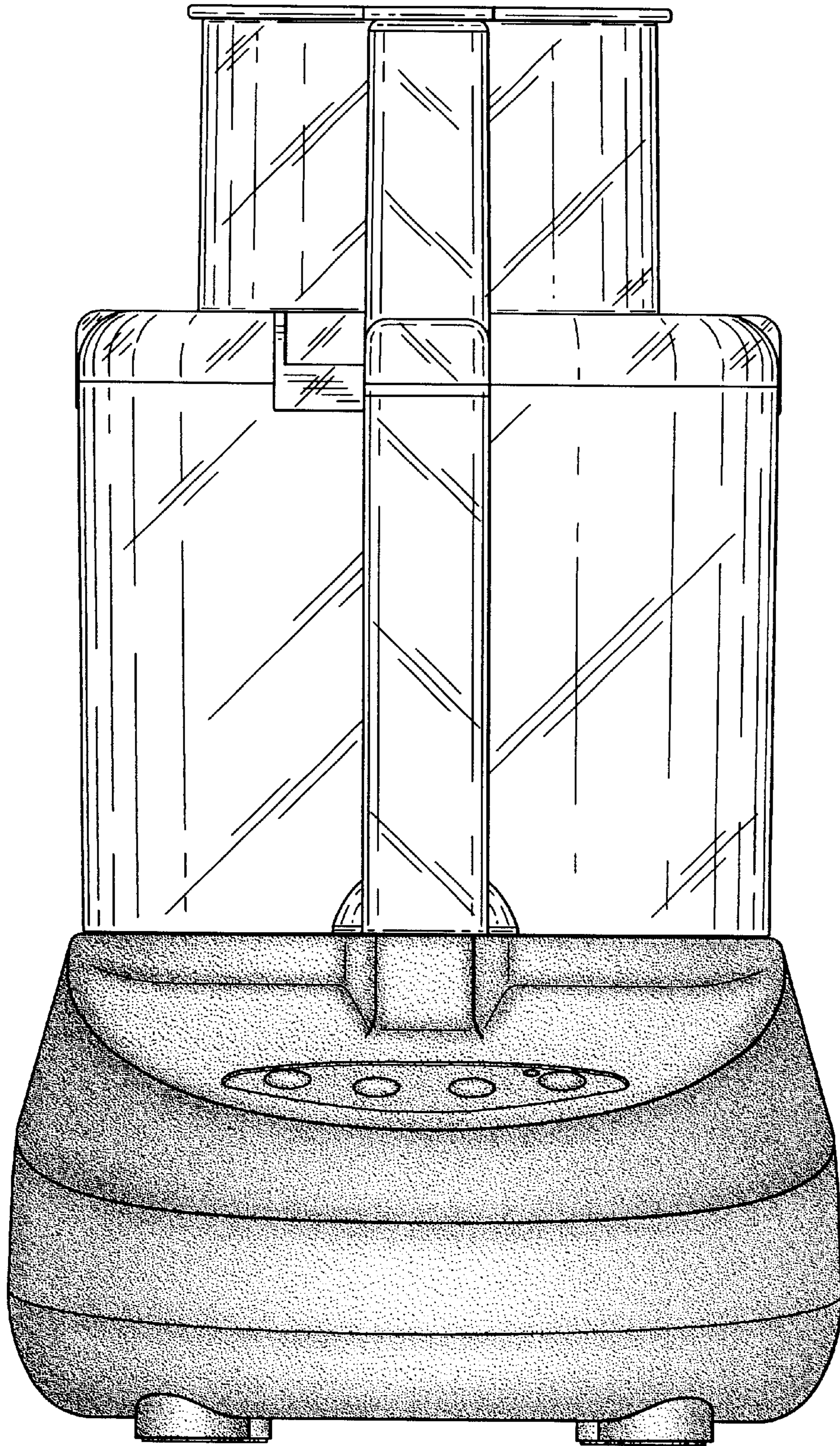


FIG. 1

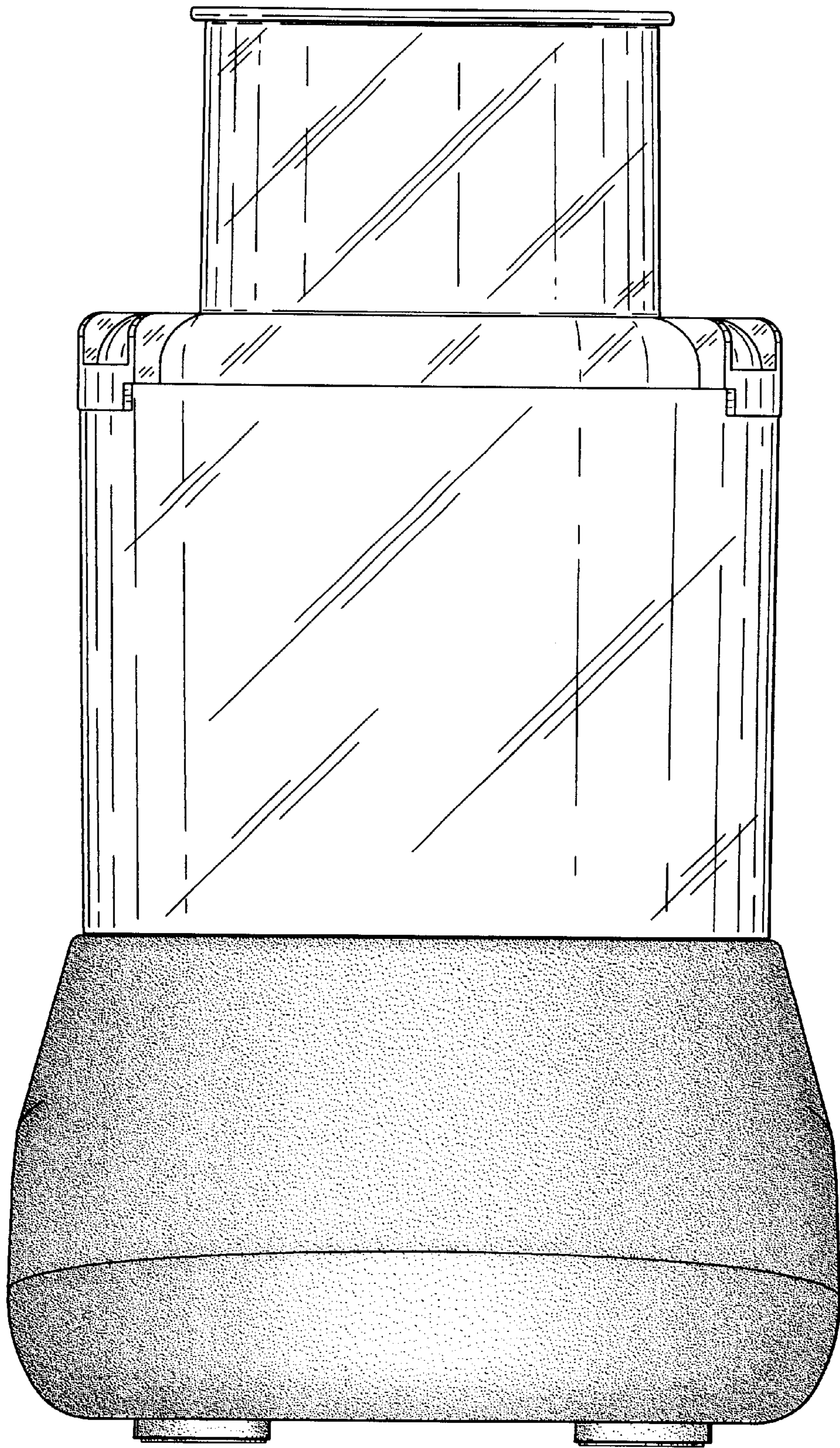


FIG. 2

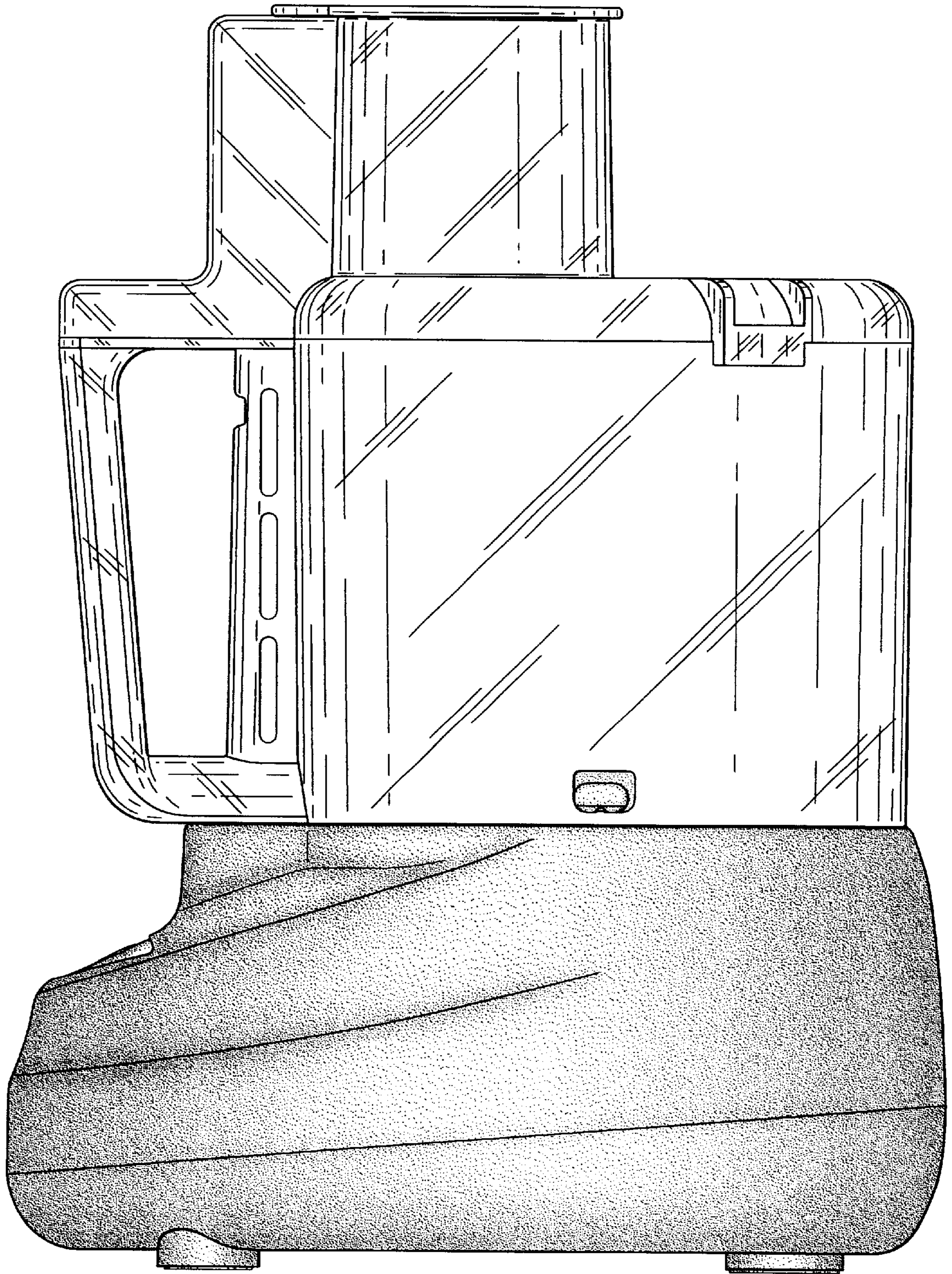


FIG. 3

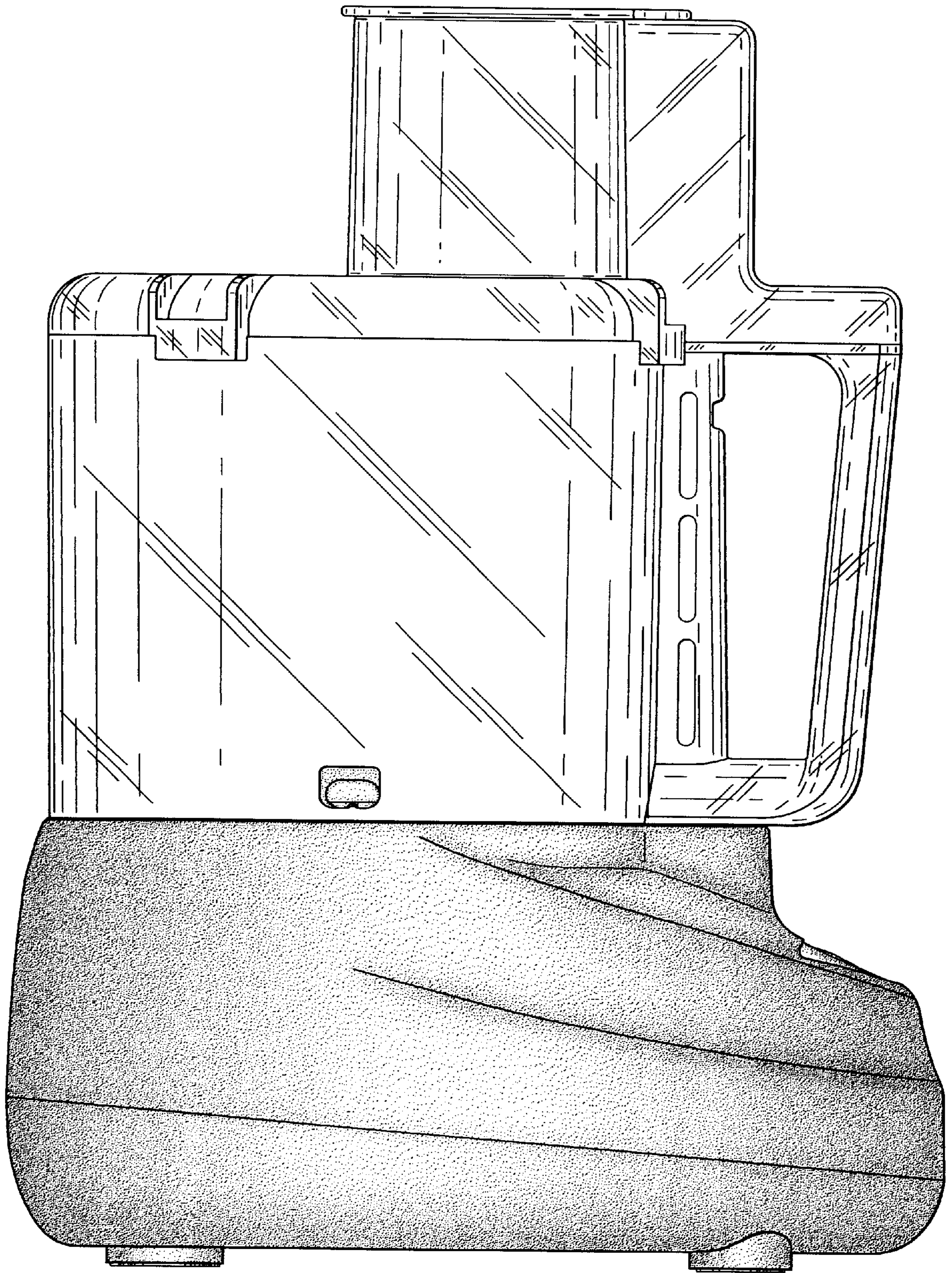


FIG. 4

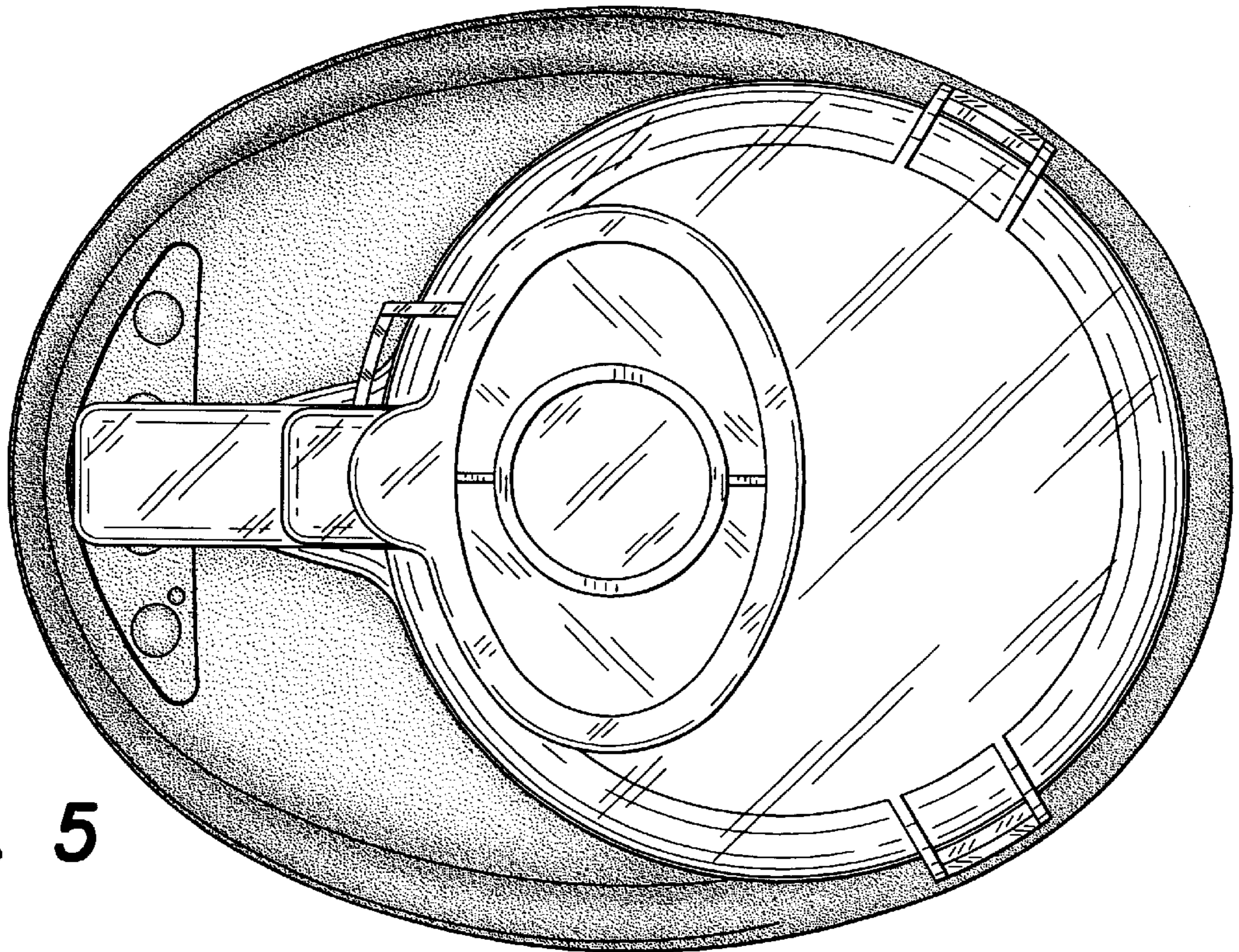


FIG. 5

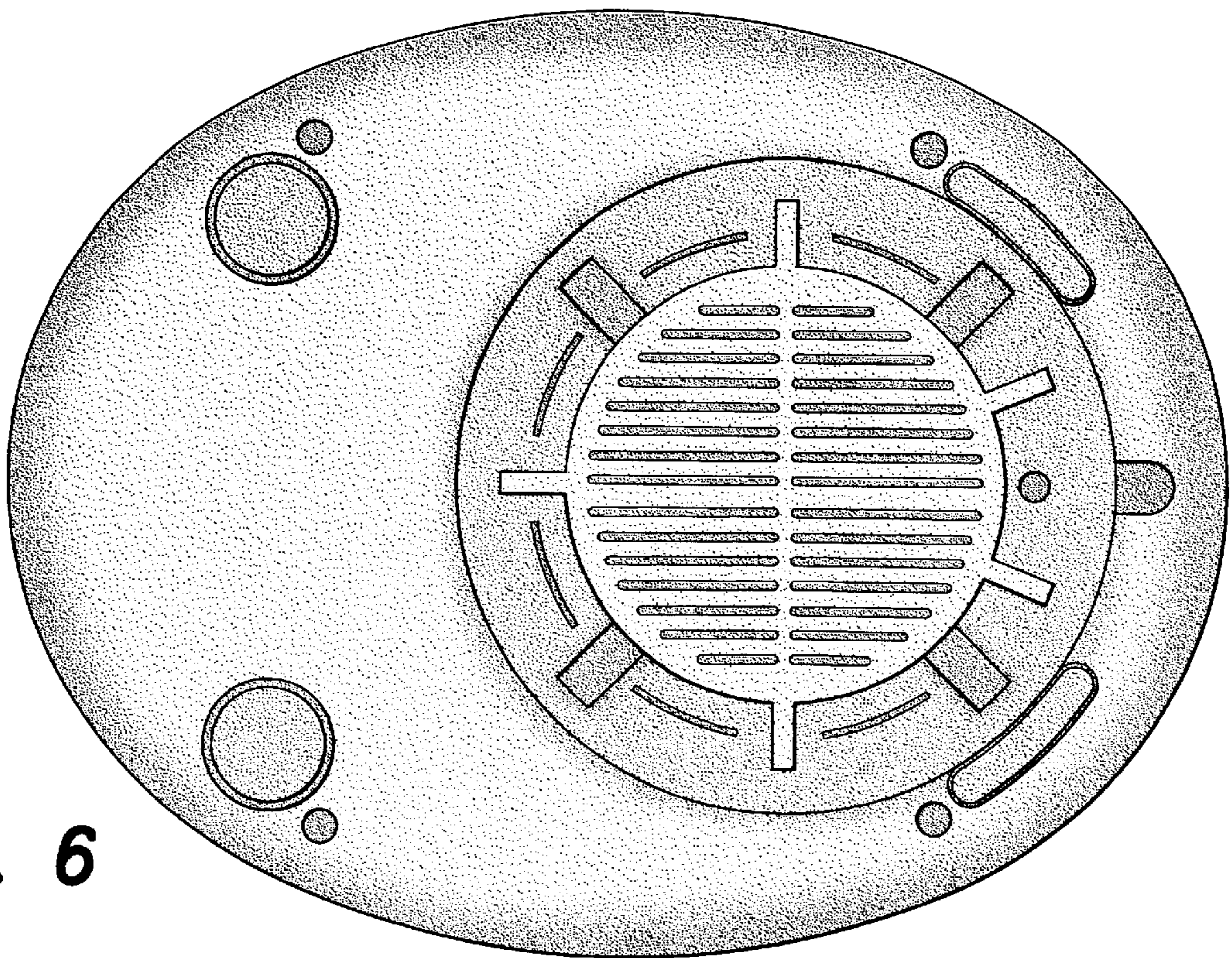


FIG. 6

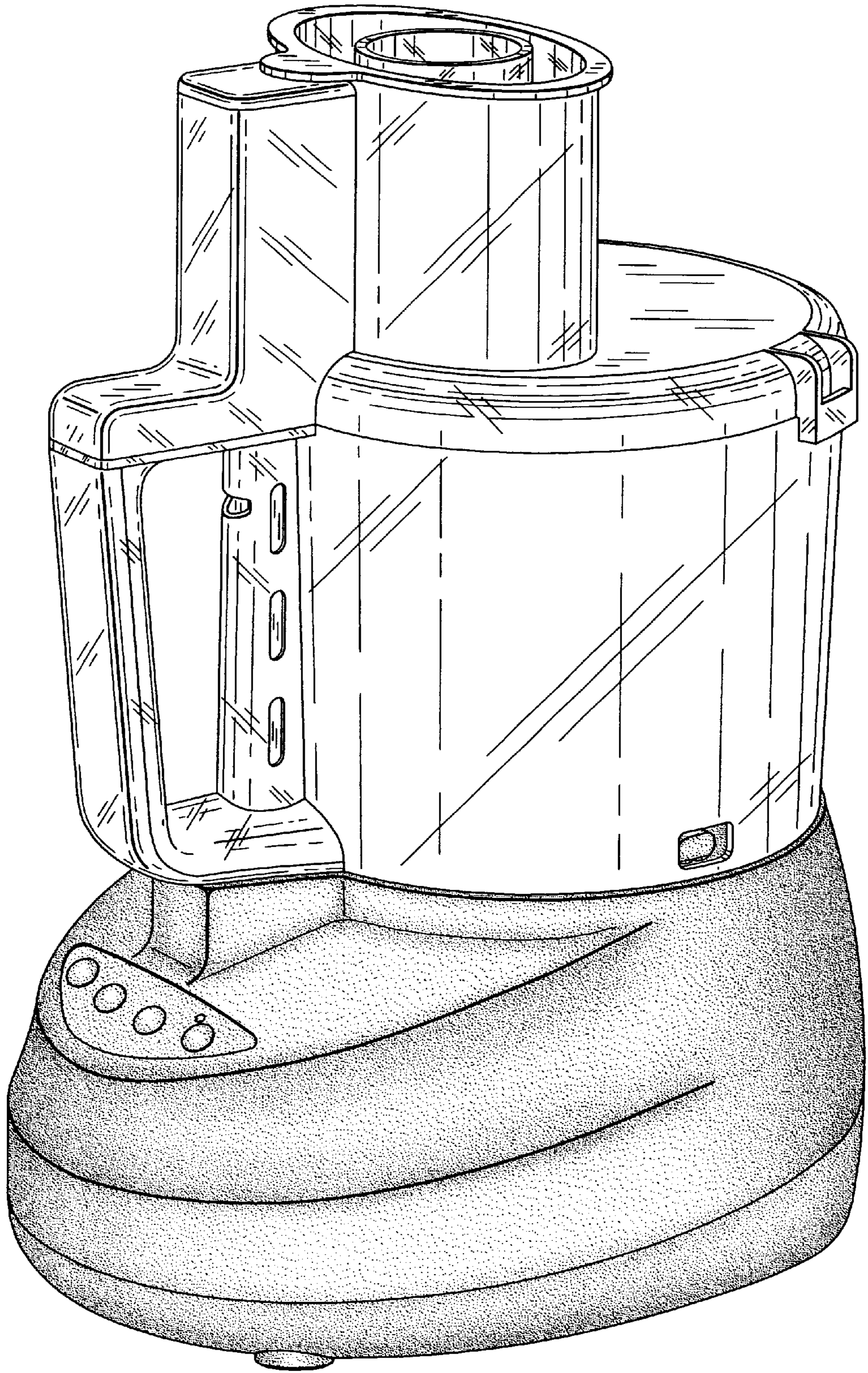


FIG. 7