



US00D445298S

(12) **United States Design Patent**  
**DeBord et al.**

(10) **Patent No.:** **US D445,298 S**

(45) **Date of Patent:** **\*\* Jul. 24, 2001**

(54) **SLOW COOKER**

(75) Inventors: **Jeff T. DeBord**, Worthington; **Peter Koloski**, Columbus, both of OH (US); **Michael Garman**, Stafford, VA (US)

(73) Assignee: **Hamilton Beach/Proctor Silex, Inc.**, Glen Allen, VA (US)

(\*\*) Term: **14 Years**

(21) Appl. No.: **29/126,321**

(22) Filed: **Jul. 13, 2000**

(51) **LOC (7) Cl.** ..... **07-02**

(52) **U.S. Cl.** ..... **D7/360**

(58) **Field of Search** ..... D7/323, 354-360, D7/545; 99/324, 325, 340, 347, 403, 410, 411, 413, 419; 220/573.1

(56) **References Cited**

**U.S. PATENT DOCUMENTS**

D. 340,614	10/1993	Keading	.....	D7/360
D. 341,058	11/1993	Slany et al.	.....	D7/360
D. 347,356	5/1994	Yim	.....	D7/360
D. 358,062	5/1995	Hasuike	.....	D7/360
D. 366,592	1/1996	Cesaroni et al.	.....	D7/360
D. 368,828	4/1996	Thurlow	.....	D7/360
D. 376,724	12/1996	Mendelson et al.	.....	D7/360
D. 380,341	7/1997	Naft et al.	.....	D7/354
D. 381,242	7/1997	Rossiaud	.....	D7/360
D. 395,787	7/1998	Wilks	.....	D7/357
D. 400,393	11/1998	Ranzoni	.....	D7/360
D. 402,848	12/1998	Piret	.....	D7/356
D. 404,244	1/1999	Jozancy	.....	D7/354
D. 413,483	9/1999	Roussard	.....	D7/358
D. 416,434	11/1999	Pollnow	.....	D7/360
D. 420,246	2/2000	Alonge et al.	.....	D7/360
D. 425,360	5/2000	Dobson et al.	.....	D7/360
D. 429,596	8/2000	Hlava et al.	.....	D7/360
D. 431,149	9/2000	Cooke et al.	.....	D7/354
D. 434,266	* 11/2000	Dobson et al.	.....	D7/354
D. 434,940	* 12/2000	Hlava et al.	.....	D7/354
4,646,628	3/1987	Lederman	.....	99/413

\* cited by examiner

*Primary Examiner*—Caron D. Veynar

(74) *Attorney, Agent, or Firm*—Darby & Darby

(57) **CLAIM**

The ornamental design for a slow cooker, as shown and described.

**DESCRIPTION**

FIG. 1 is a perspective view of a preferred embodiment of the slow cooker.

FIG. 2 is a top plan view of the slow cooker shown in FIG. 1.

FIG. 3 is a front end view of the slow cooker shown in FIG. 1.

FIG. 4 is a left side view of the slow cooker shown in FIG. 1.

FIG. 5 is a right side view of the slow cooker shown in FIG. 1.

FIG. 6 is a bottom plan view of the slow cooker shown in FIG. 1.

FIG. 7 is a rear end view of the slow cooker shown in FIG. 1.

FIG. 8 is a perspective view of another preferred embodiment of the slow cooker.

FIG. 9 is a top plan view of the slow cooker shown in FIG. 8.

FIG. 10 is a front end view of the slow cooker shown in FIG. 8.

FIG. 11 is a left side view of the slow cooker shown in FIG. 8.

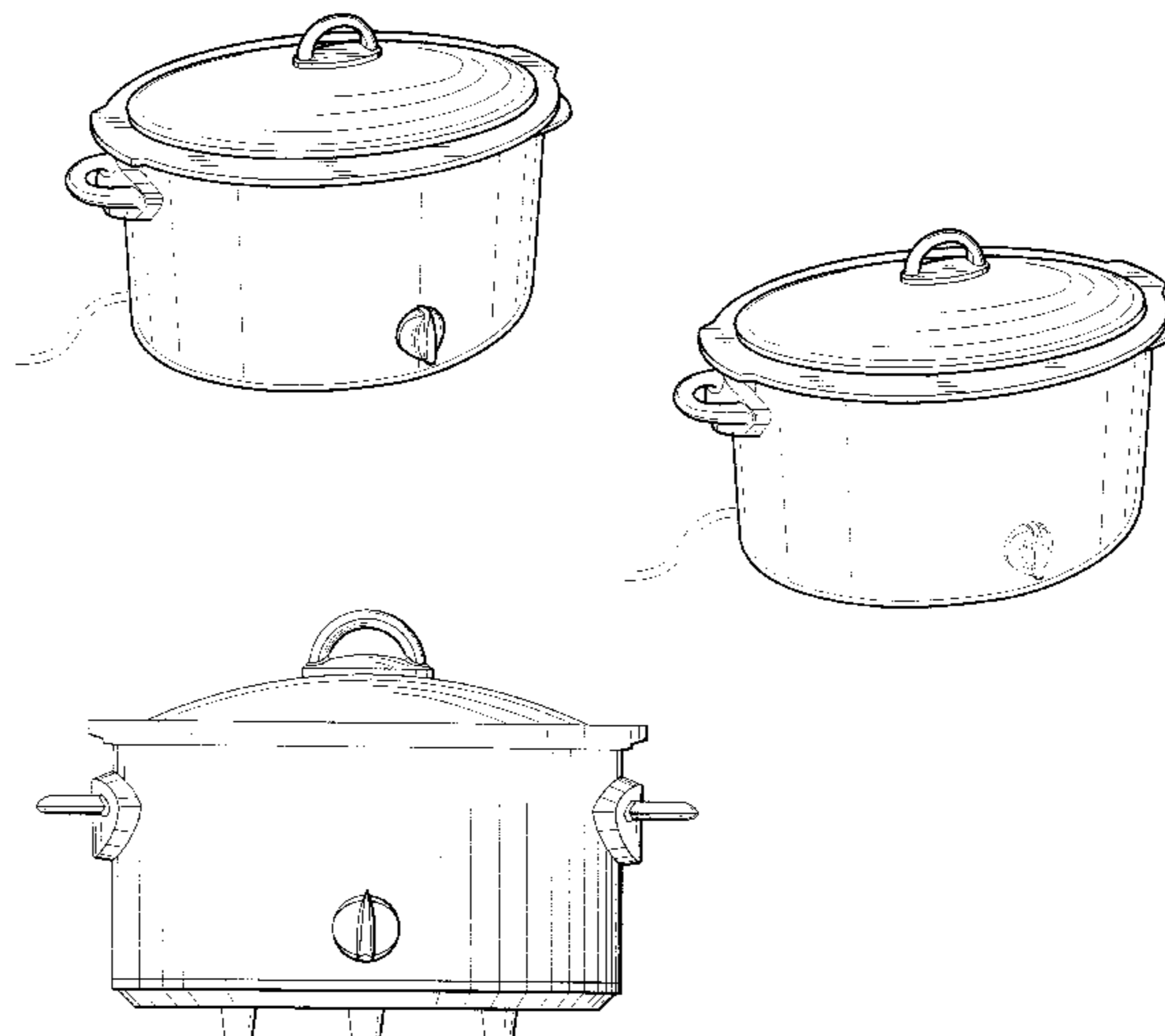
FIG. 12 is a right side view of the slow cooker shown in FIG. 8.

FIG. 13 is a bottom plan view of the slow cooker shown in FIG. 8; and ,

FIG. 14 is a rear end view of the slow cooker shown in FIG. 8.

The broken lines shown in FIGS. 1 and 8 are for illustrative purposes only and form no part of the claimed design.

**1 Claim, 8 Drawing Sheets**



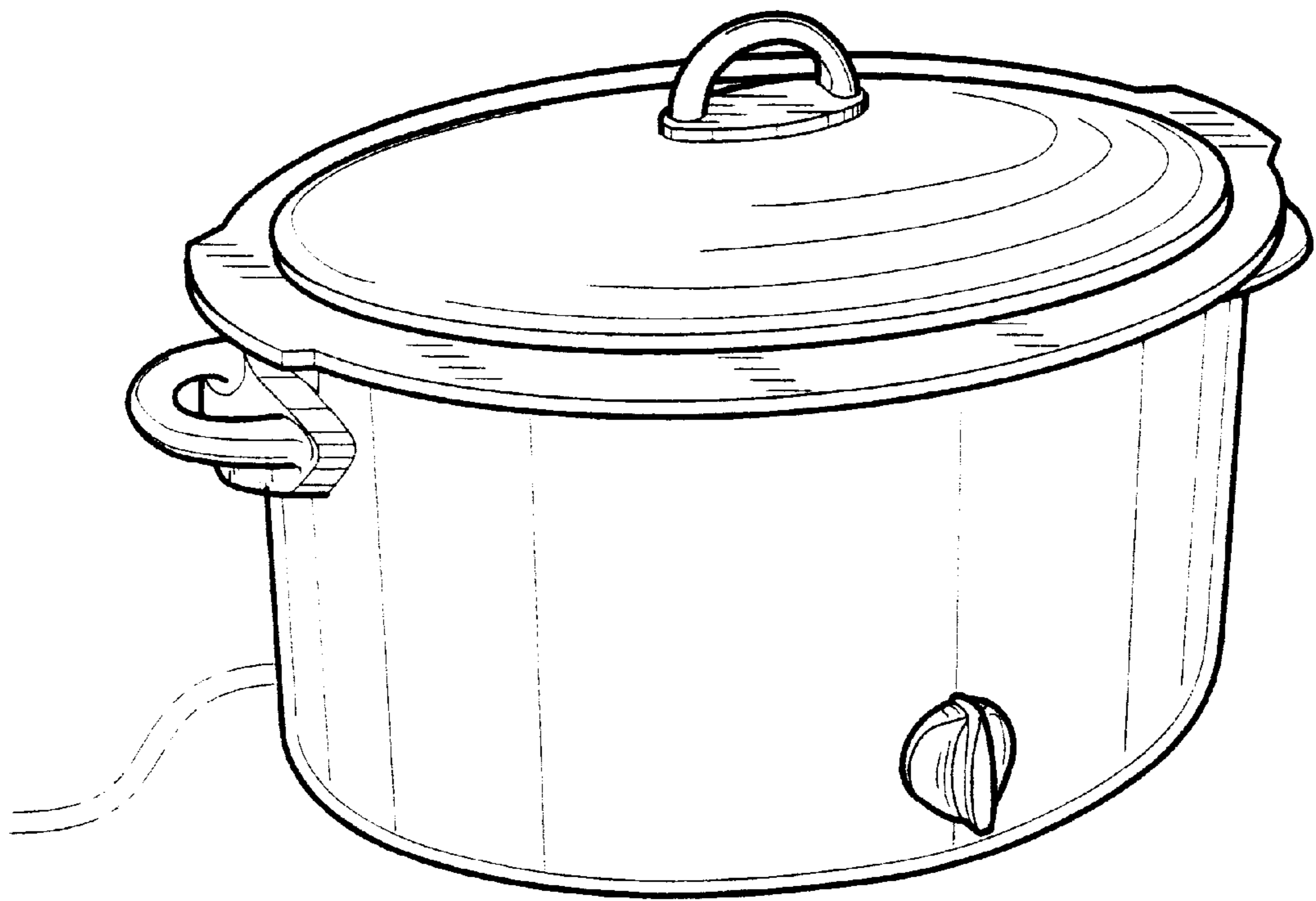


Fig. 1

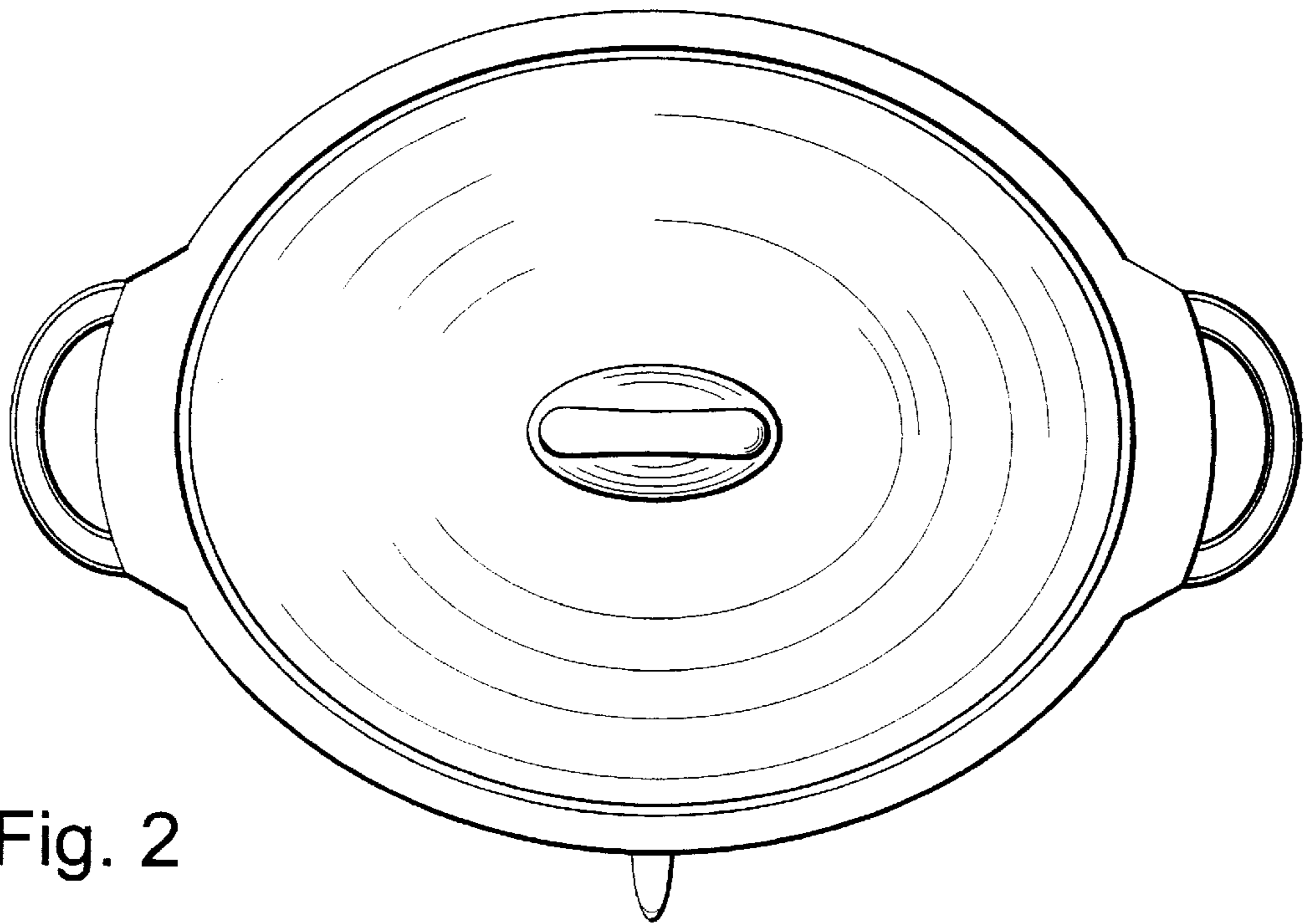


Fig. 2

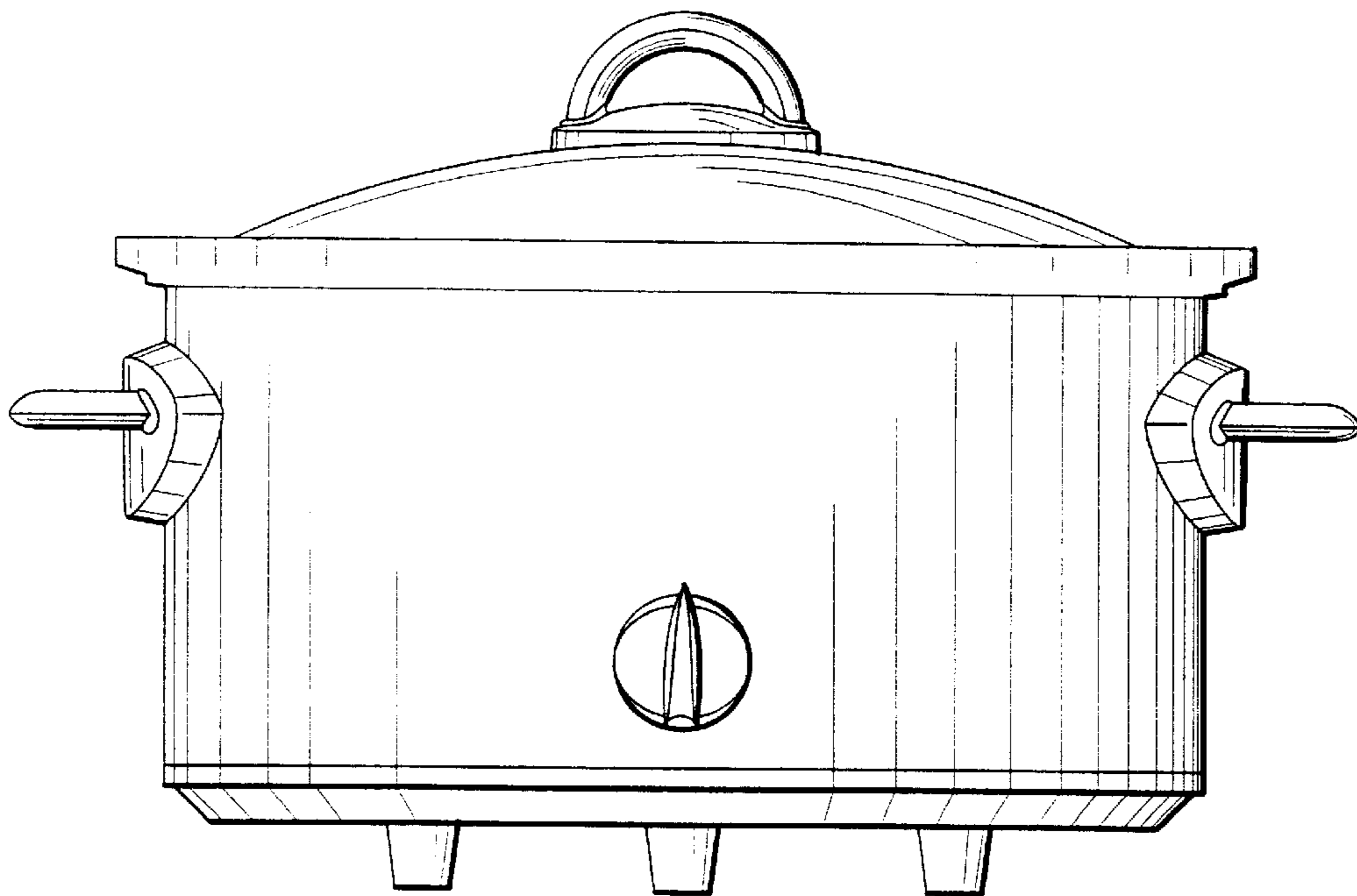


Fig. 3

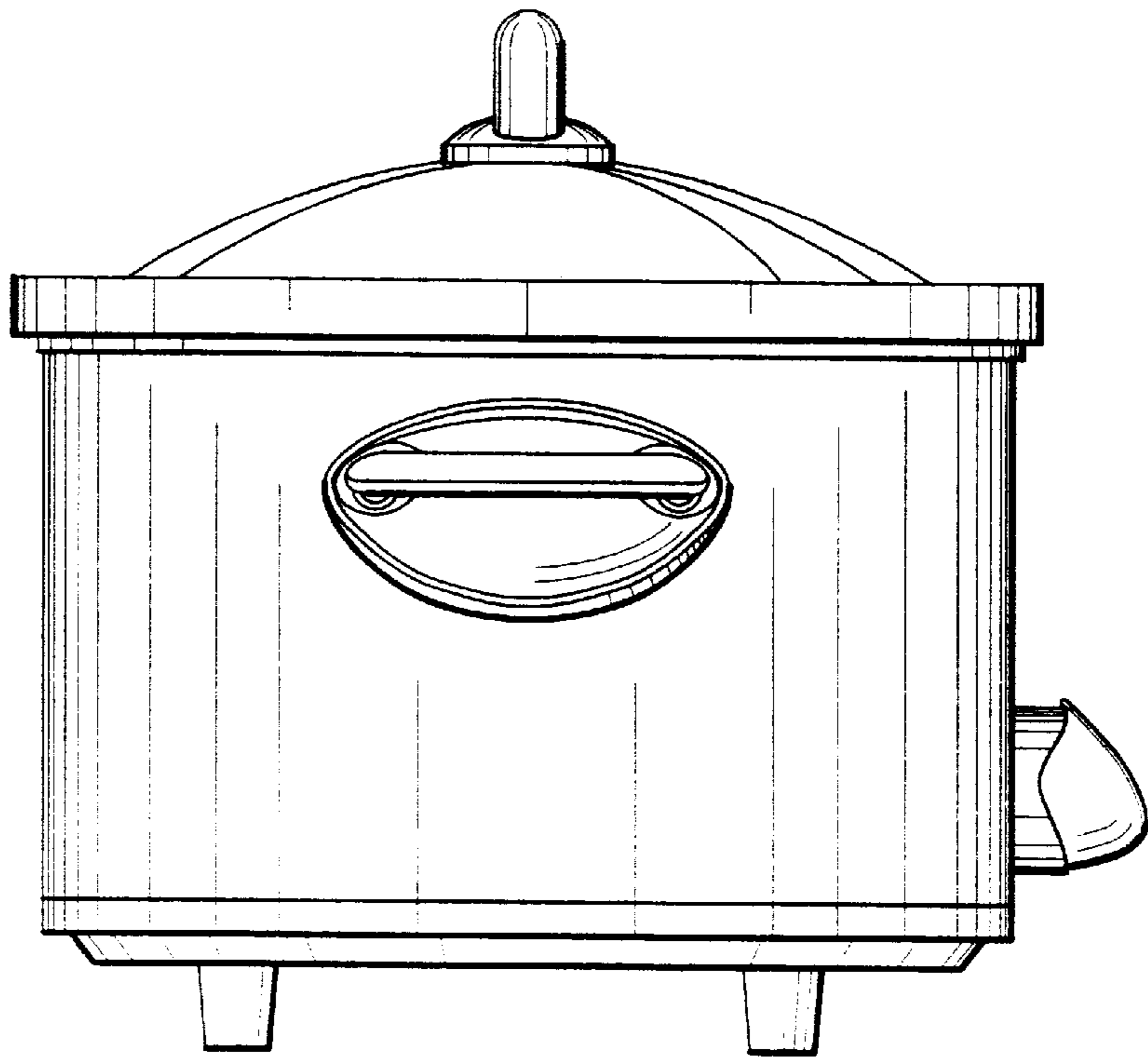


Fig. 4

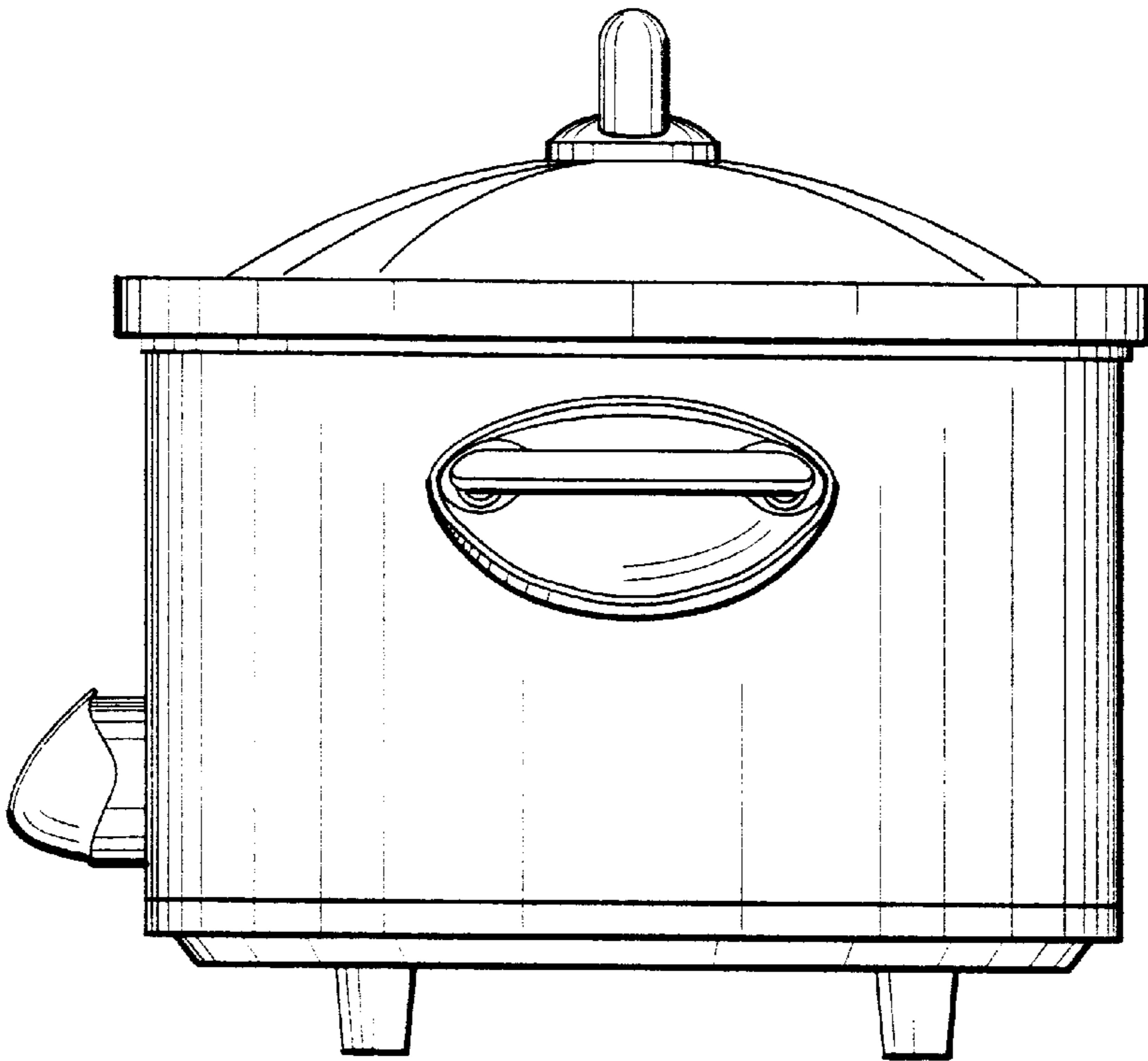


Fig. 5

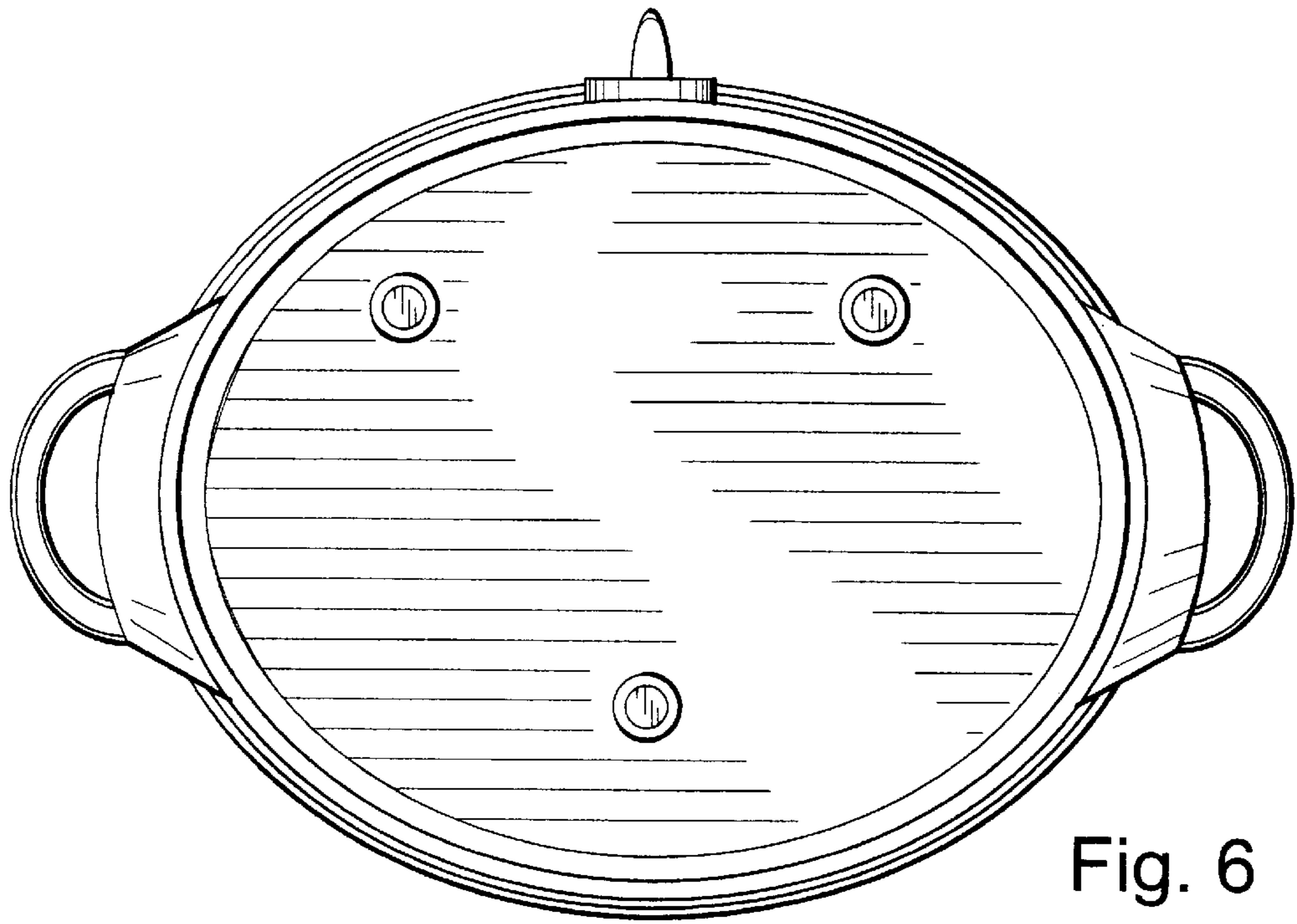


Fig. 6

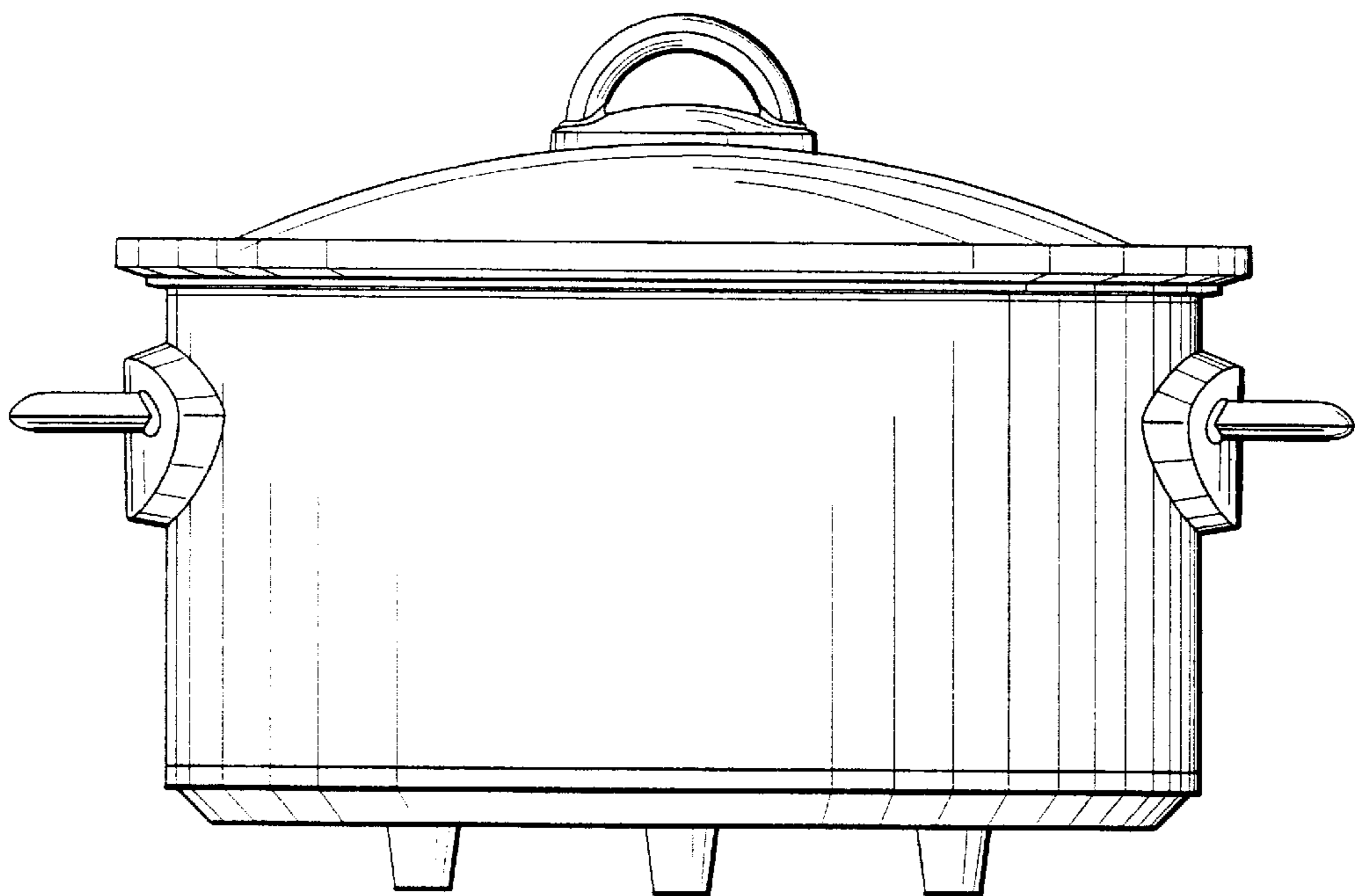


Fig. 7

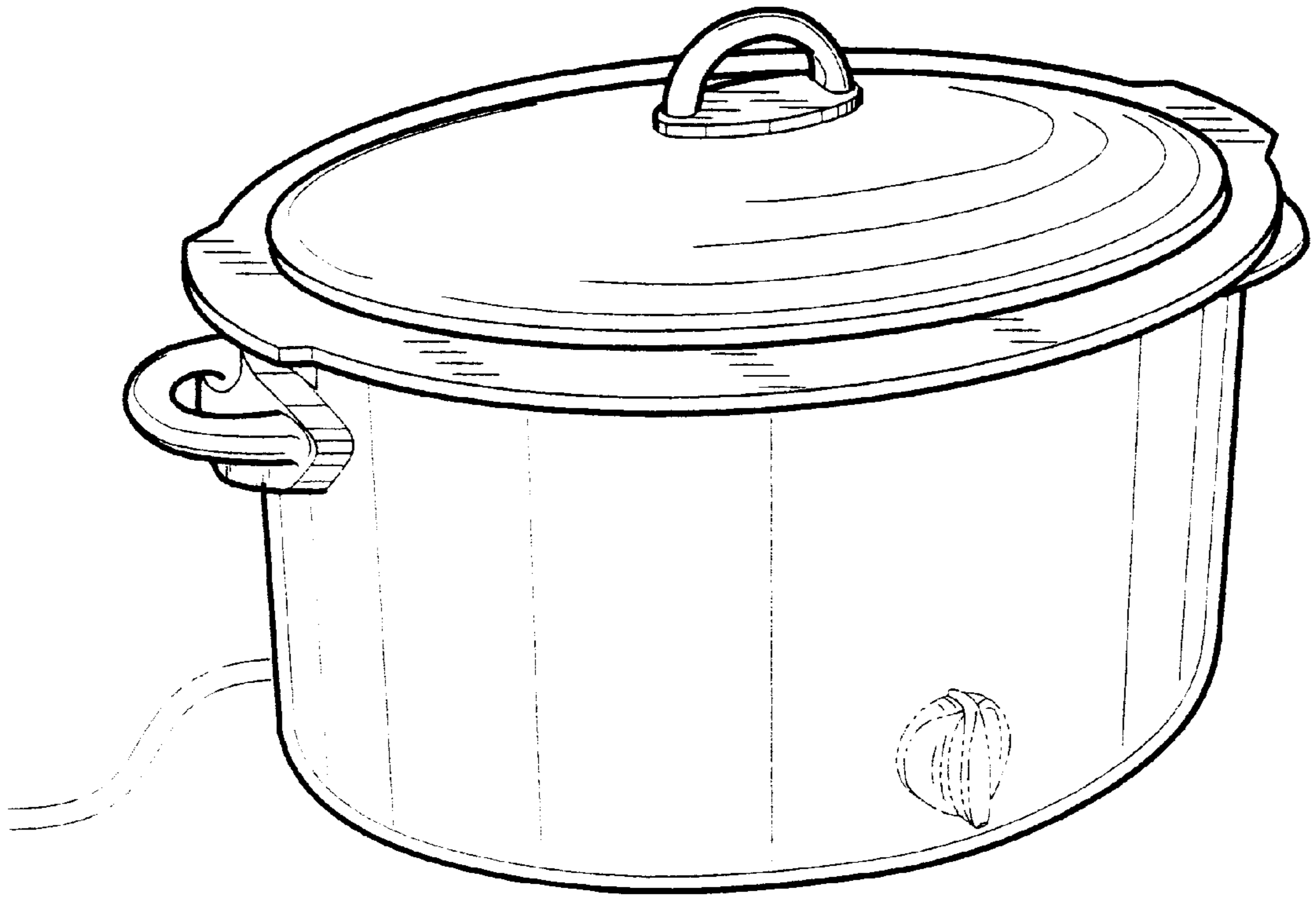


Fig. 8

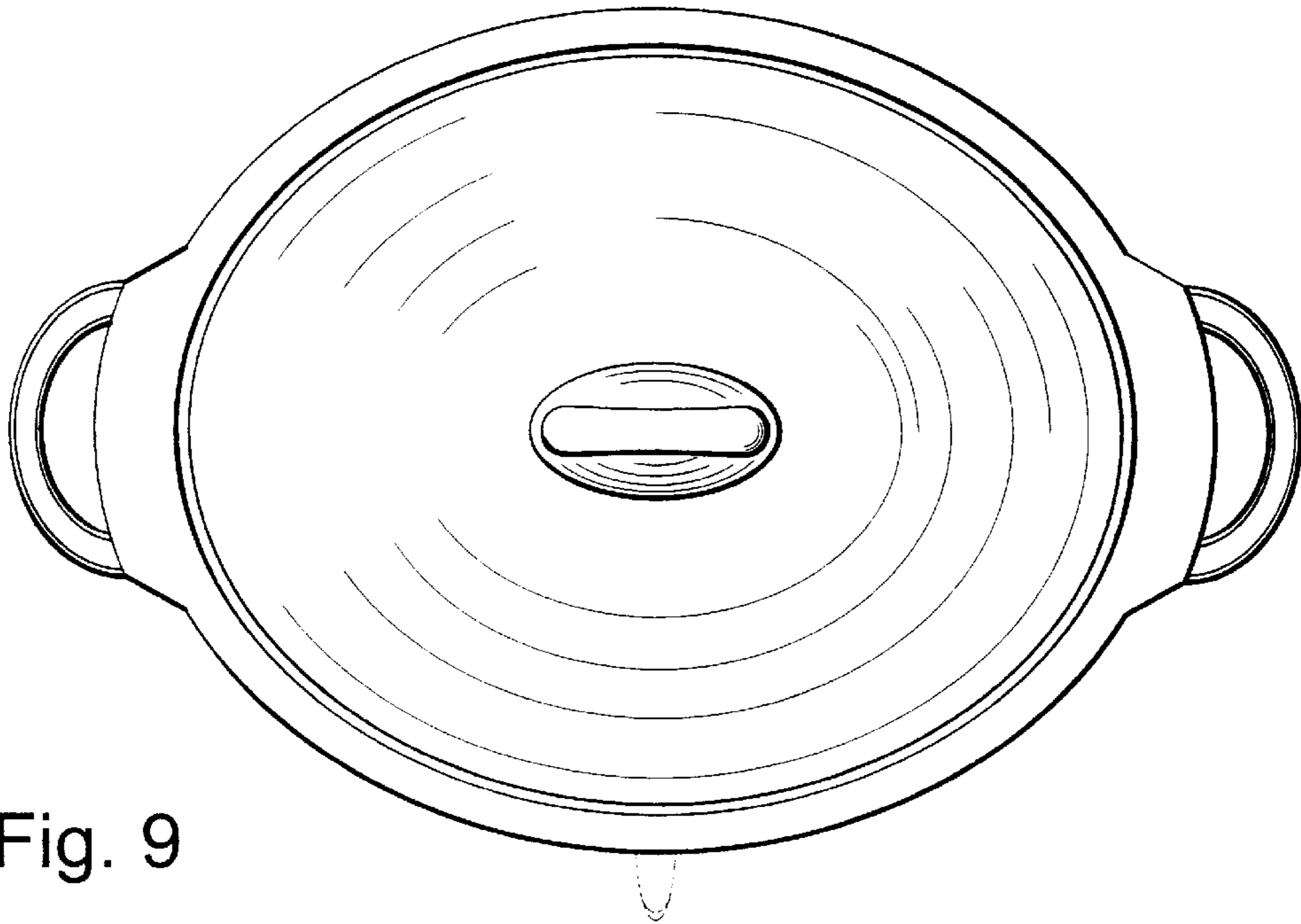


Fig. 9

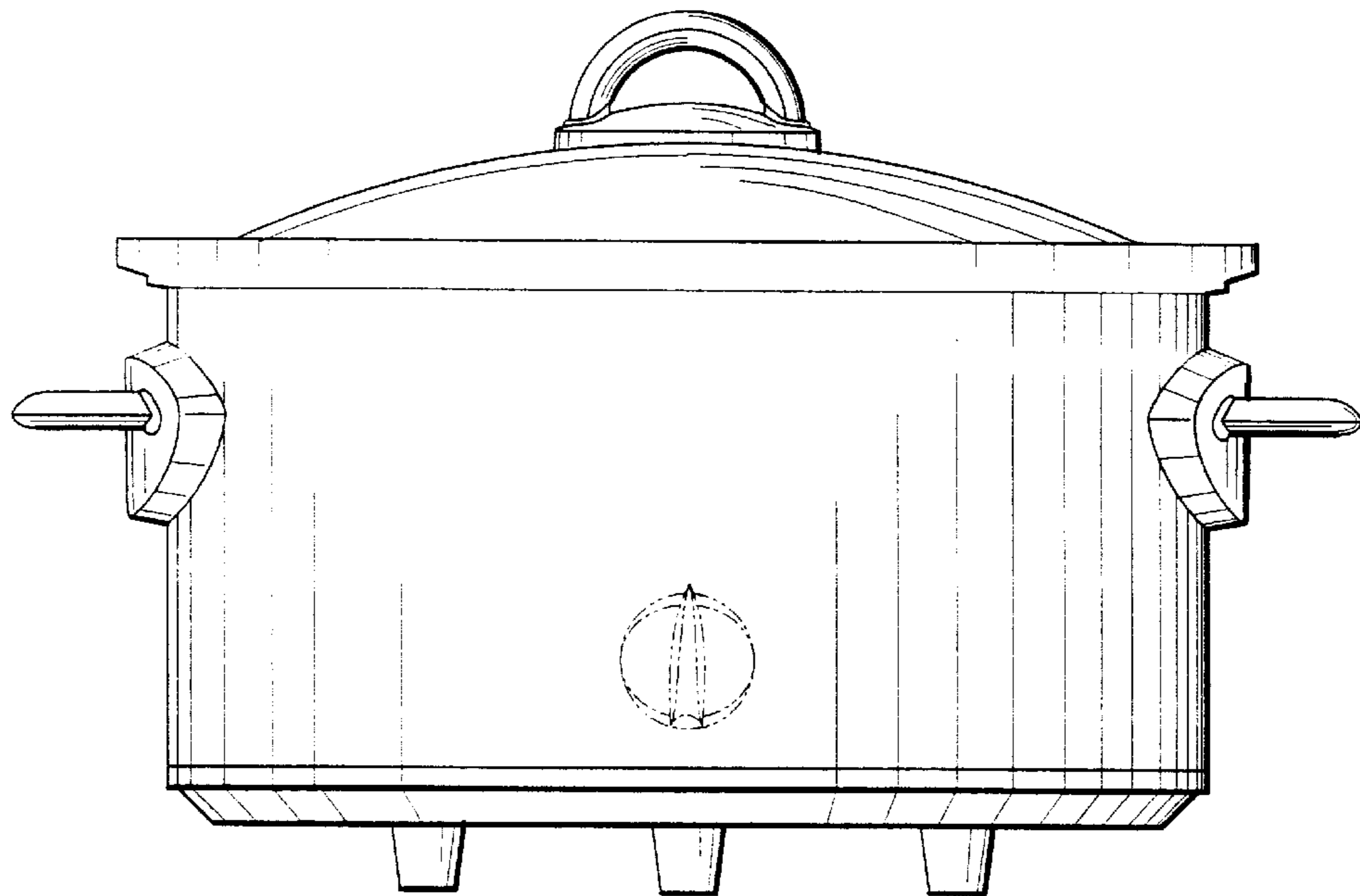


Fig. 10

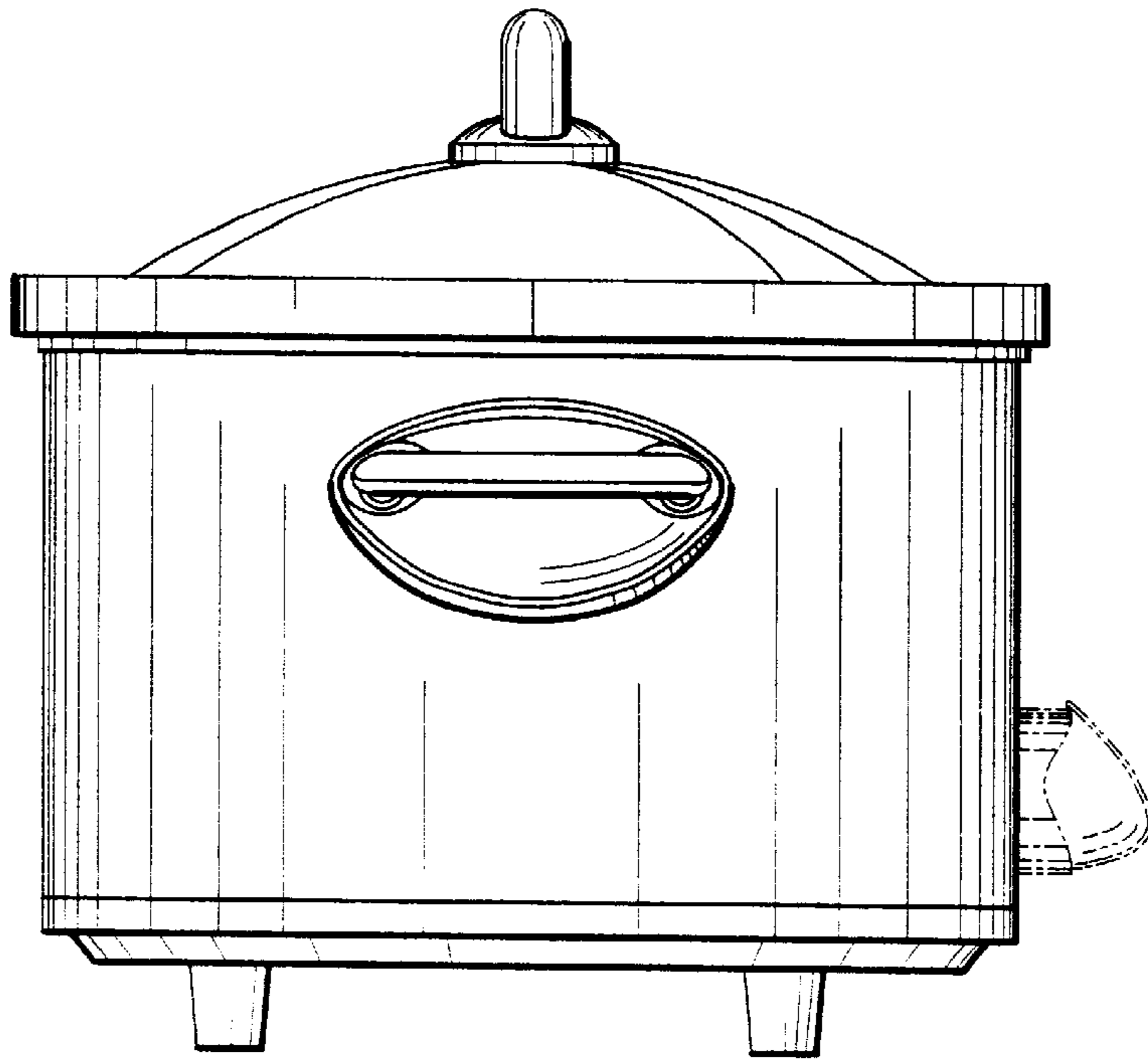


Fig. 11

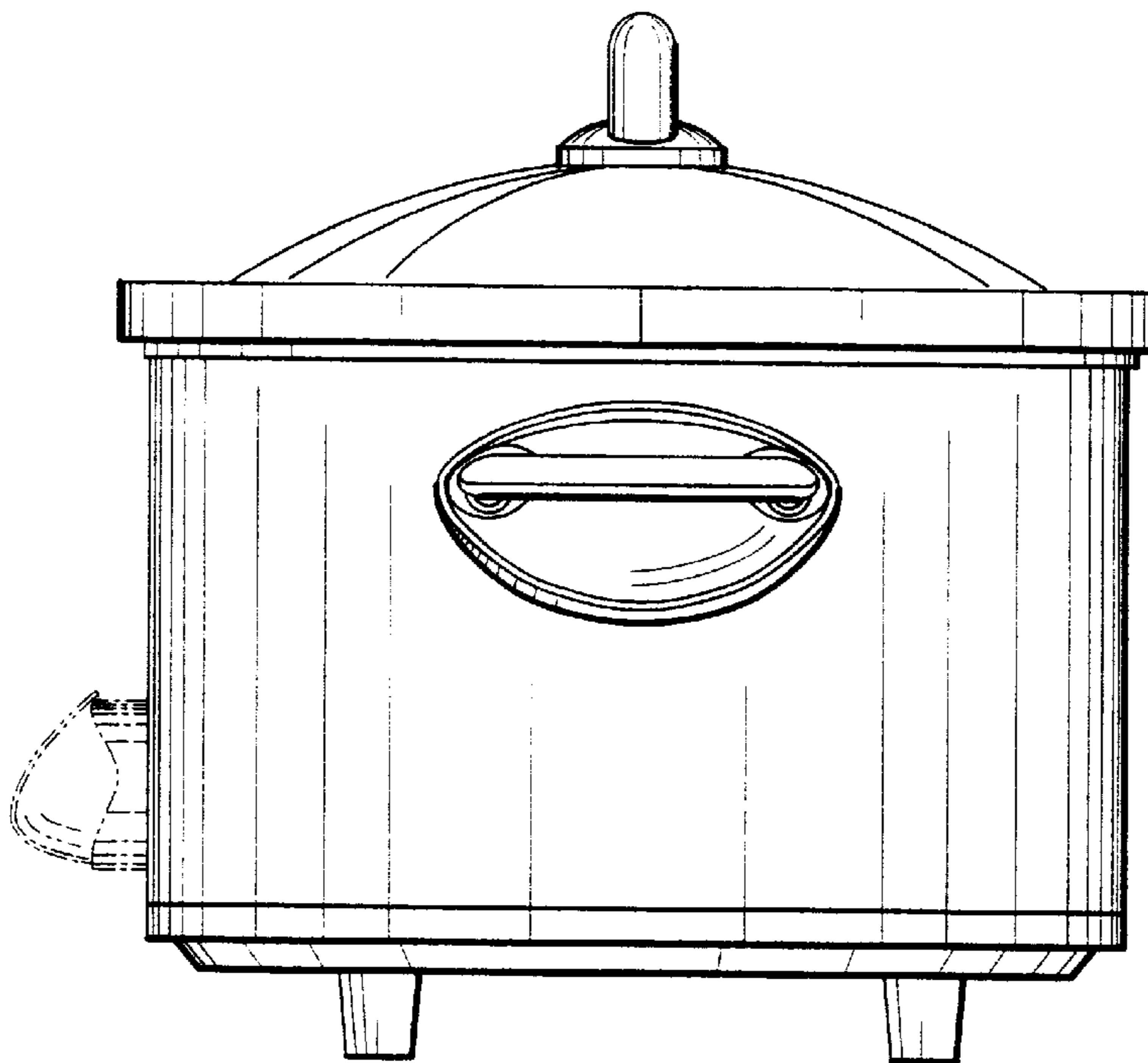


Fig. 12



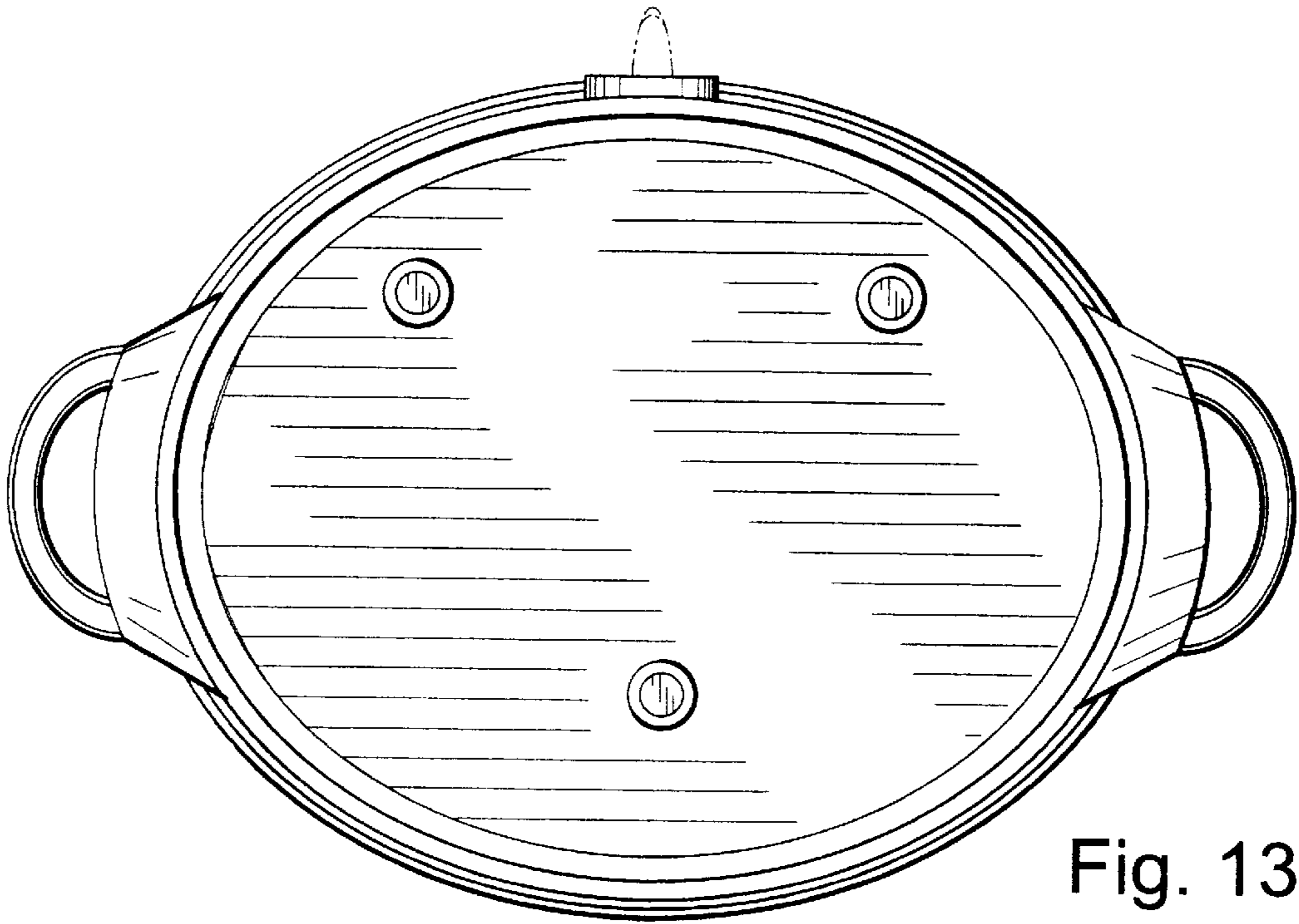


Fig. 13

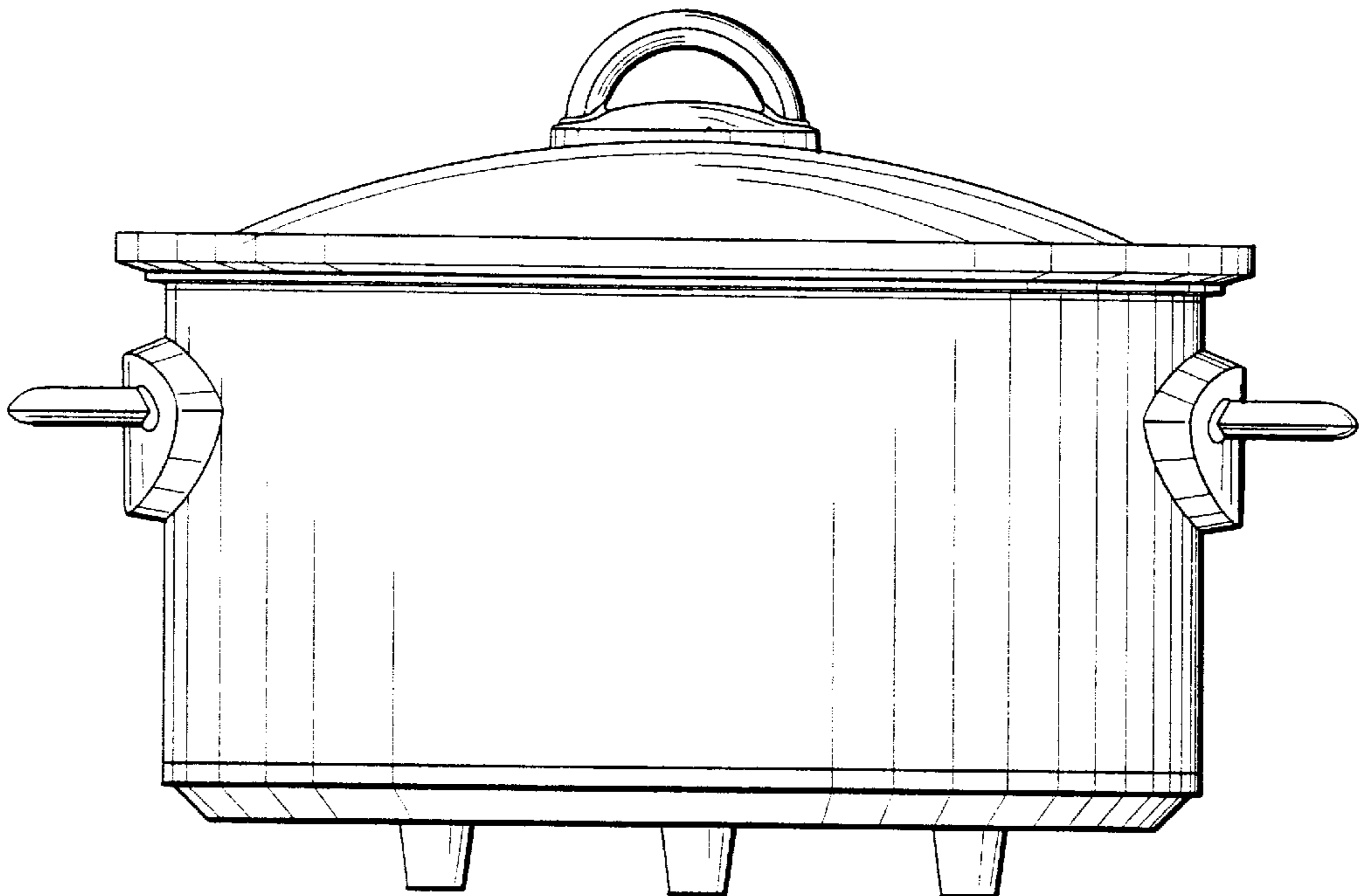


Fig. 14