



US00D445296S

(12) **United States Design Patent**  
**Kenyon et al.**

(10) **Patent No.:** **US D445,296 S**

(45) **Date of Patent:** **\*\* Jul. 24, 2001**

(54) **COMBINED BRAZIER AND ORNAMENTAL POT**

5,682,811 \* 11/1997 Kidushim ..... 99/400

\* cited by examiner

(76) Inventors: **James Christopher Kenyon; Dareneth Louise Kenyon**, both of 2 Langlands Barn, Gisburn, Clitheroe, Lancashire BB7 4HS (GB)

*Primary Examiner*—Ruth McInroy  
(74) *Attorney, Agent, or Firm*—Ladas & Parry

(\*\*) Term: **14 Years**

(57) **CLAIM**

We claim the ornamental design for a combined brazier and ornamental pot, as shown.

(21) Appl. No.: **29/109,521**

**DESCRIPTION**

(22) Filed: **Aug. 13, 1999**

(30) **Foreign Application Priority Data**

May 11, 1999 (GB) ..... 2083274

(51) **LOC (7) Cl.** ..... **07-02**

(52) **U.S. Cl.** ..... **D7/332**

(58) **Field of Search** ..... D7/332-337, 402, D7/403, 409, 359; 126/25 R, 25 A, 25 AA, 25 B, 9 R, 9 B, 39 R, 41 R, 26-30, 40, 50; 99/419, 421 R, 421 HV, 450, 481

FIG. 1 is a front perspective view of a combined brazier and ornamental pot in a brazier configuration showing a stand element below a bowl element with a barbecue griddle mounted on top of the bowl element showing our new design;

FIG. 2 is a top plan view of a barbecue griddle thereof;

FIG. 3 is an exploded view thereof with the barbecue griddle removed to shown an ancillary fire grate with the bowl element;

FIG. 4 is a side elevational view of FIG. 3;

FIG. 5 is a bottom plan view of the bowl element with the barbecue griddle and fire grate removed;

FIG. 6 is a top plan view of the ancillary fire grate within the bowl element;

FIG. 7 is a front perspective view of the stand element above the bowl element; and,

FIG. 8 is an exploded rear perspective view of FIG. 7.

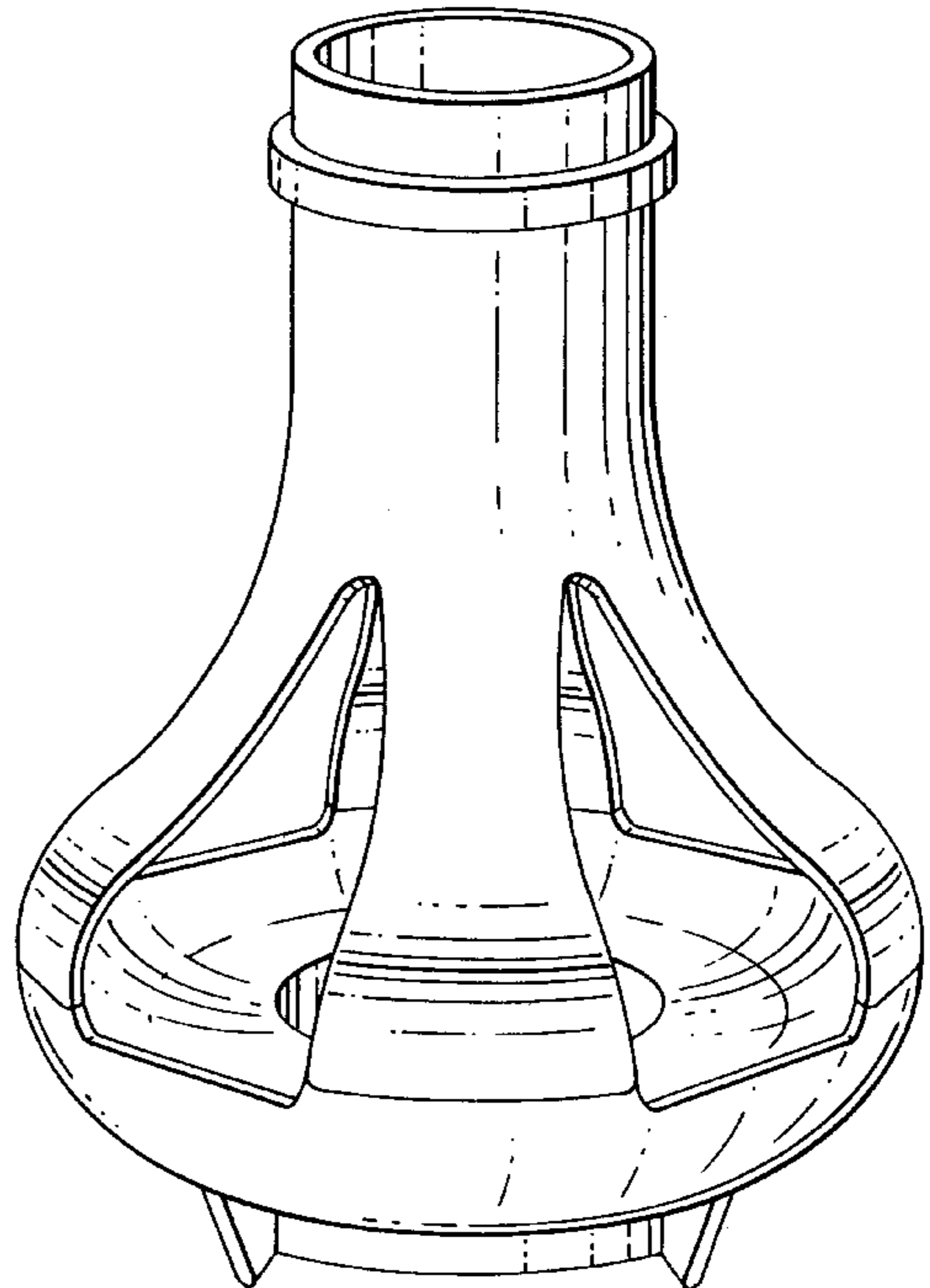
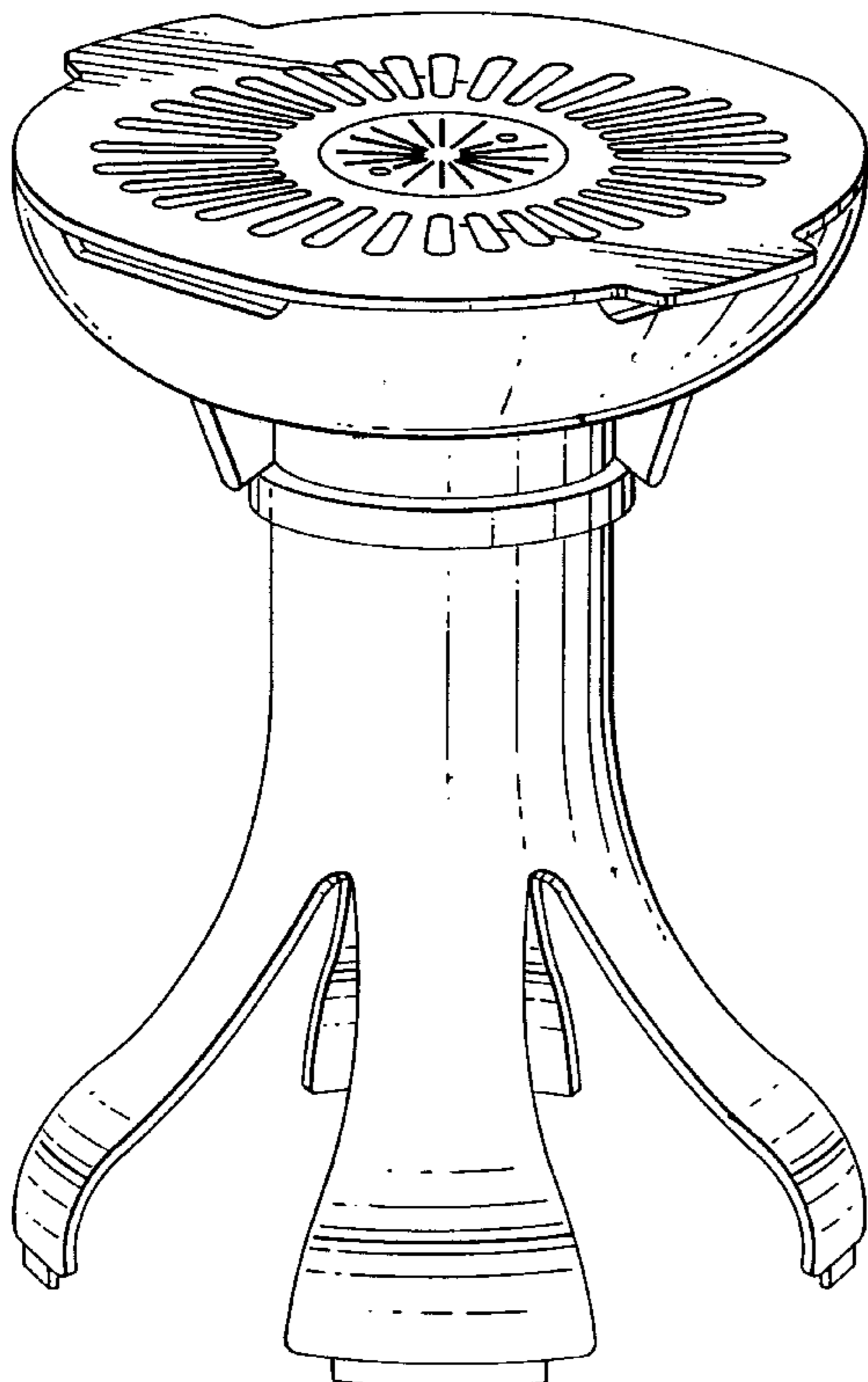
FIGS. 2-8 are shown separate for clarity of illustration, the claim being directed to the entire article shown in FIG. 1.

(56) **References Cited**

**U.S. PATENT DOCUMENTS**

- D. 185,280 \* 5/1959 Greenblat ..... D7/337
- D. 222,701 \* 12/1971 Chen ..... D7/409
- D. 230,389 \* 2/1974 Reiss ..... D7/359
- D. 323,096 \* 1/1992 Pack ..... D7/409
- D. 335,795 \* 5/1993 Conti ..... D7/545
- D. 339,264 \* 9/1993 Lee ..... D7/359
- D. 379,900 \* 6/1997 Gillam et al. .... D7/337

**1 Claim, 7 Drawing Sheets**



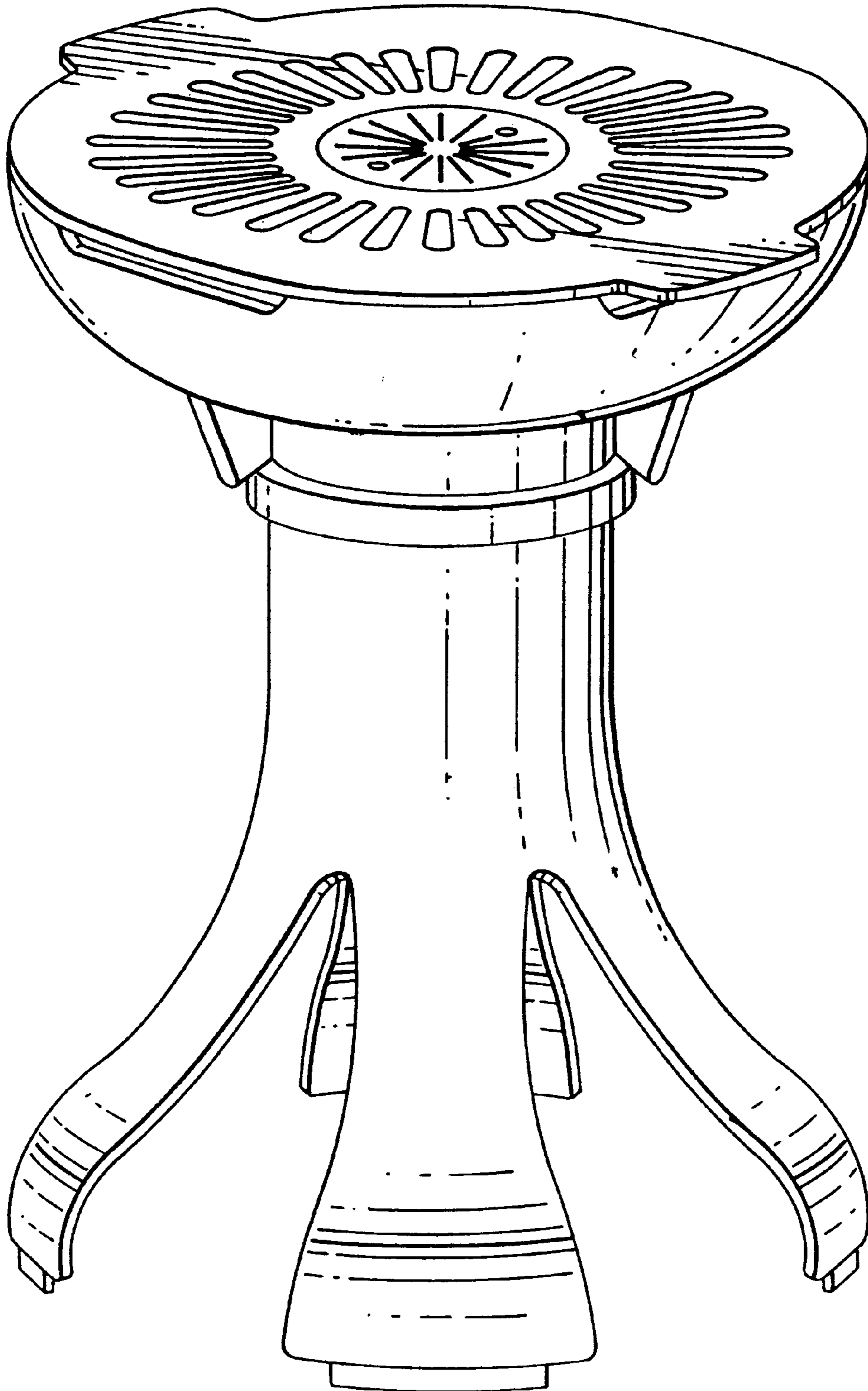


FIG. 1

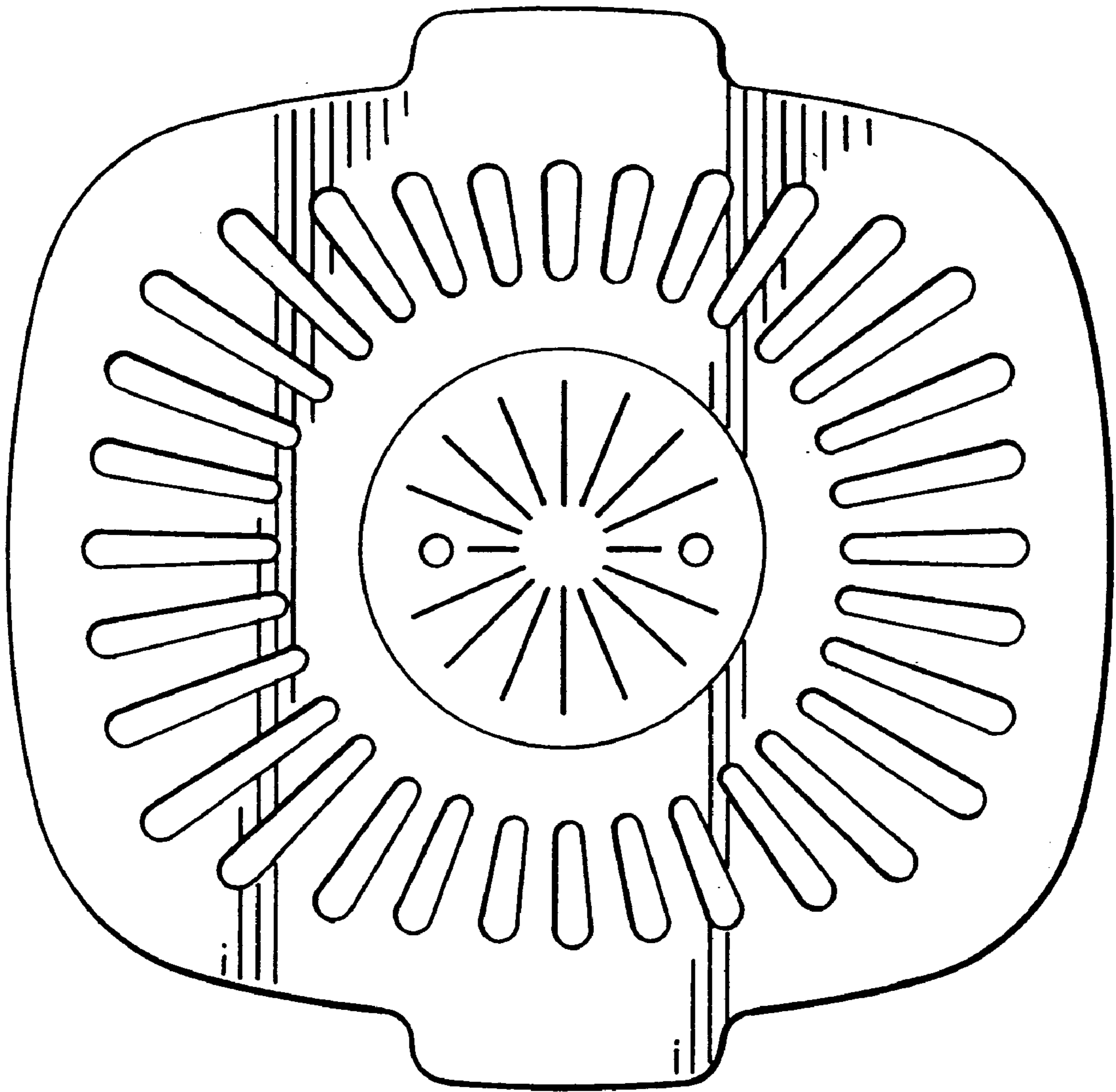


FIG. 2

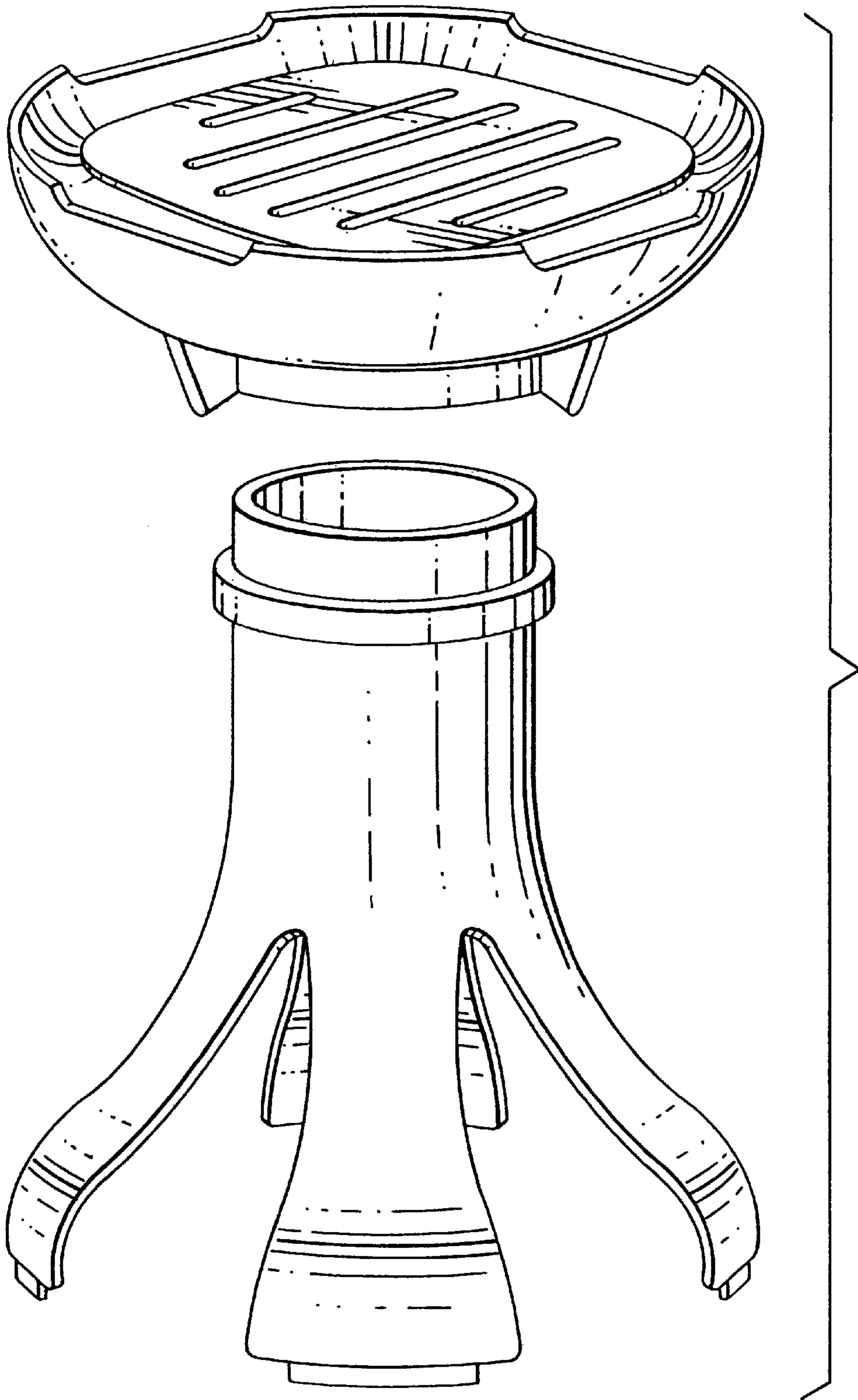


FIG. 3



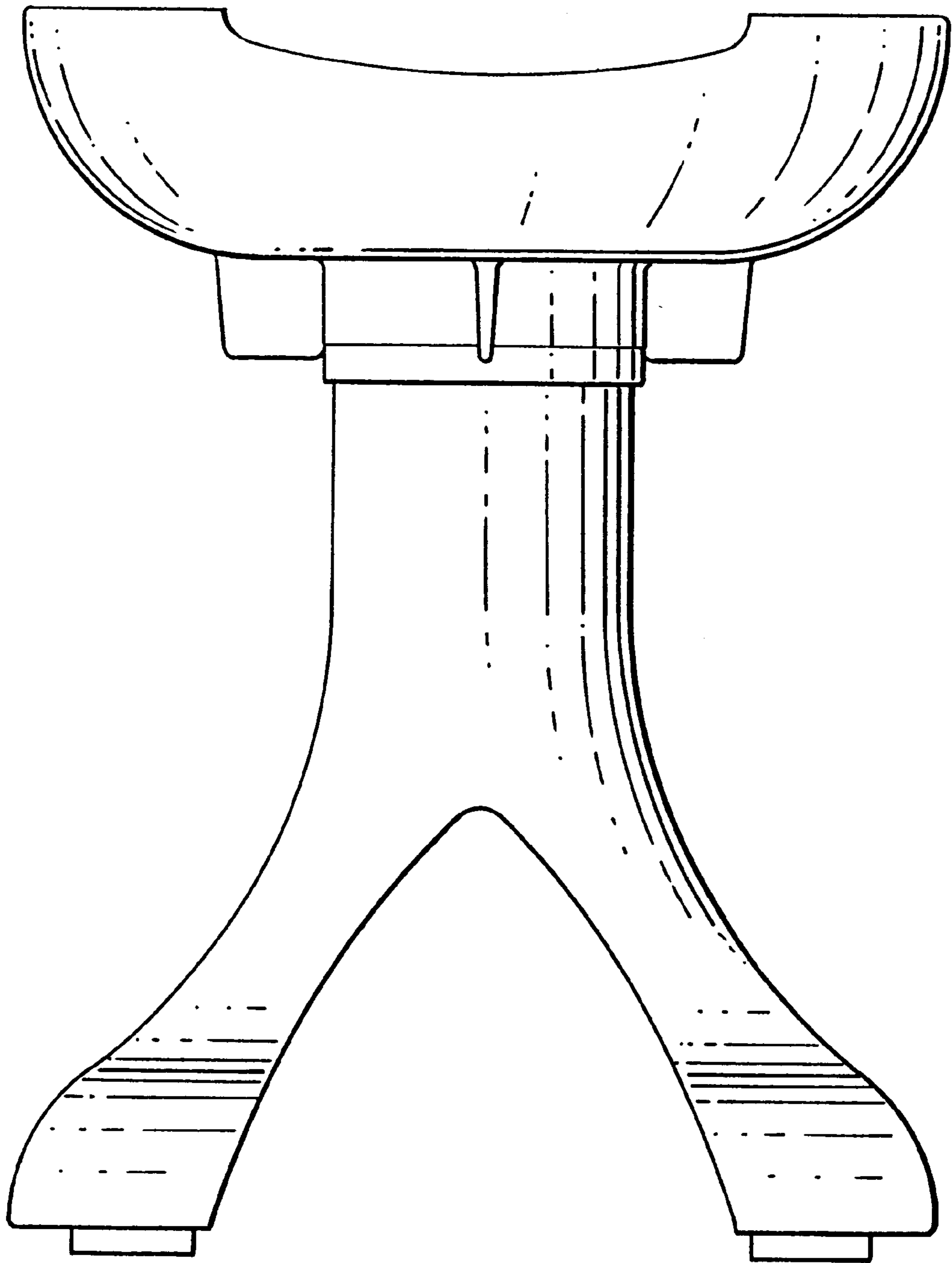


FIG. 4

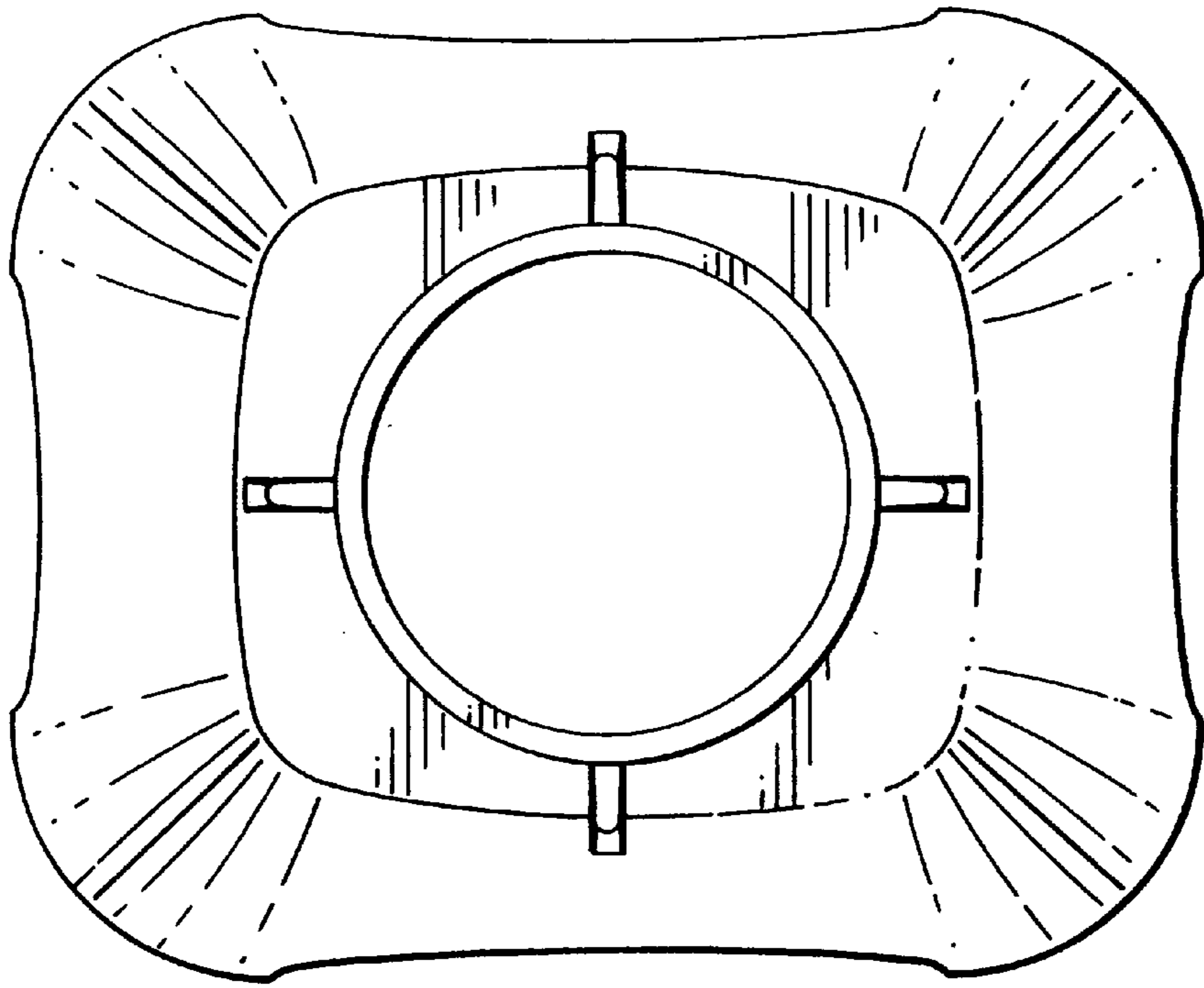


FIG. 5

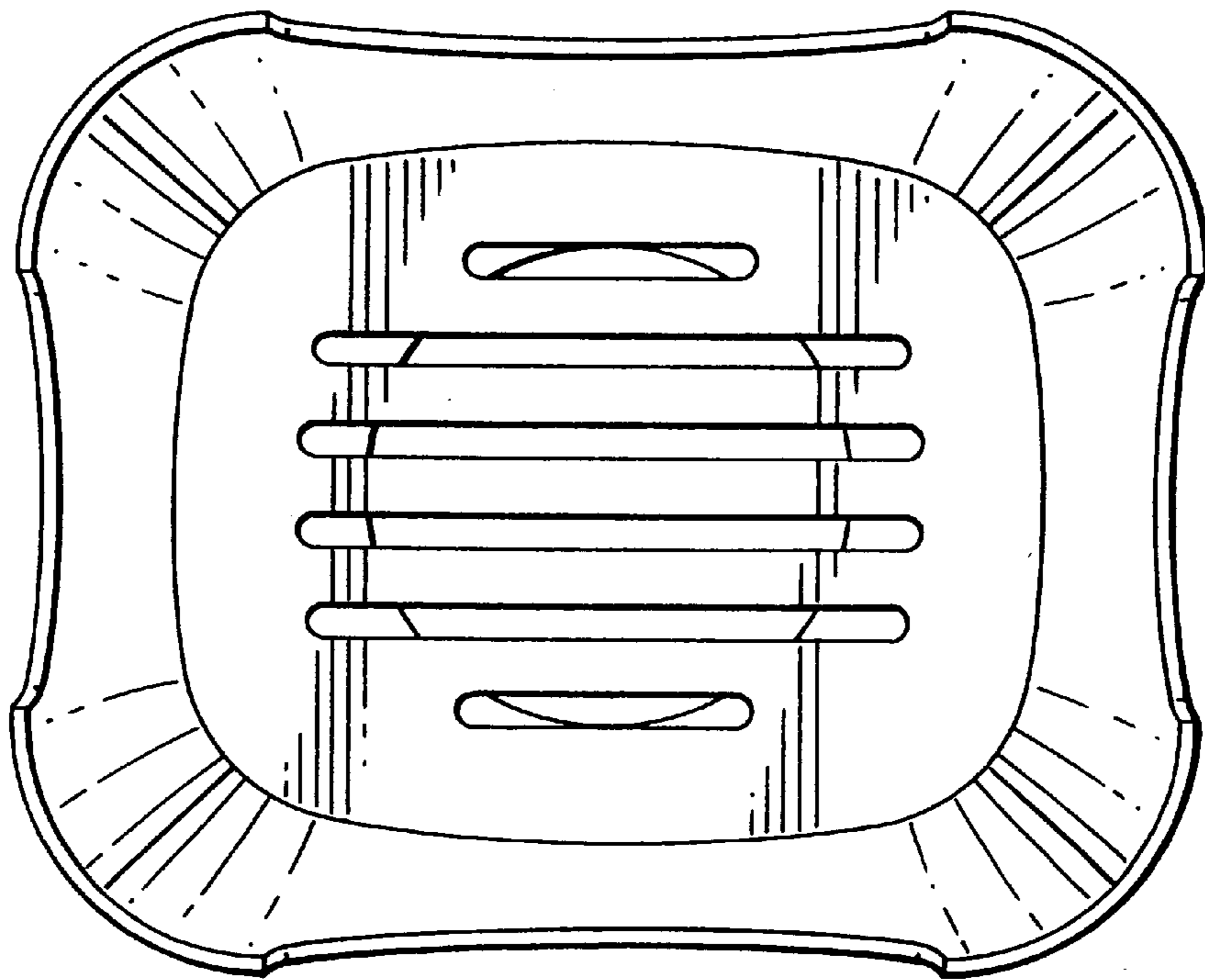


FIG. 6

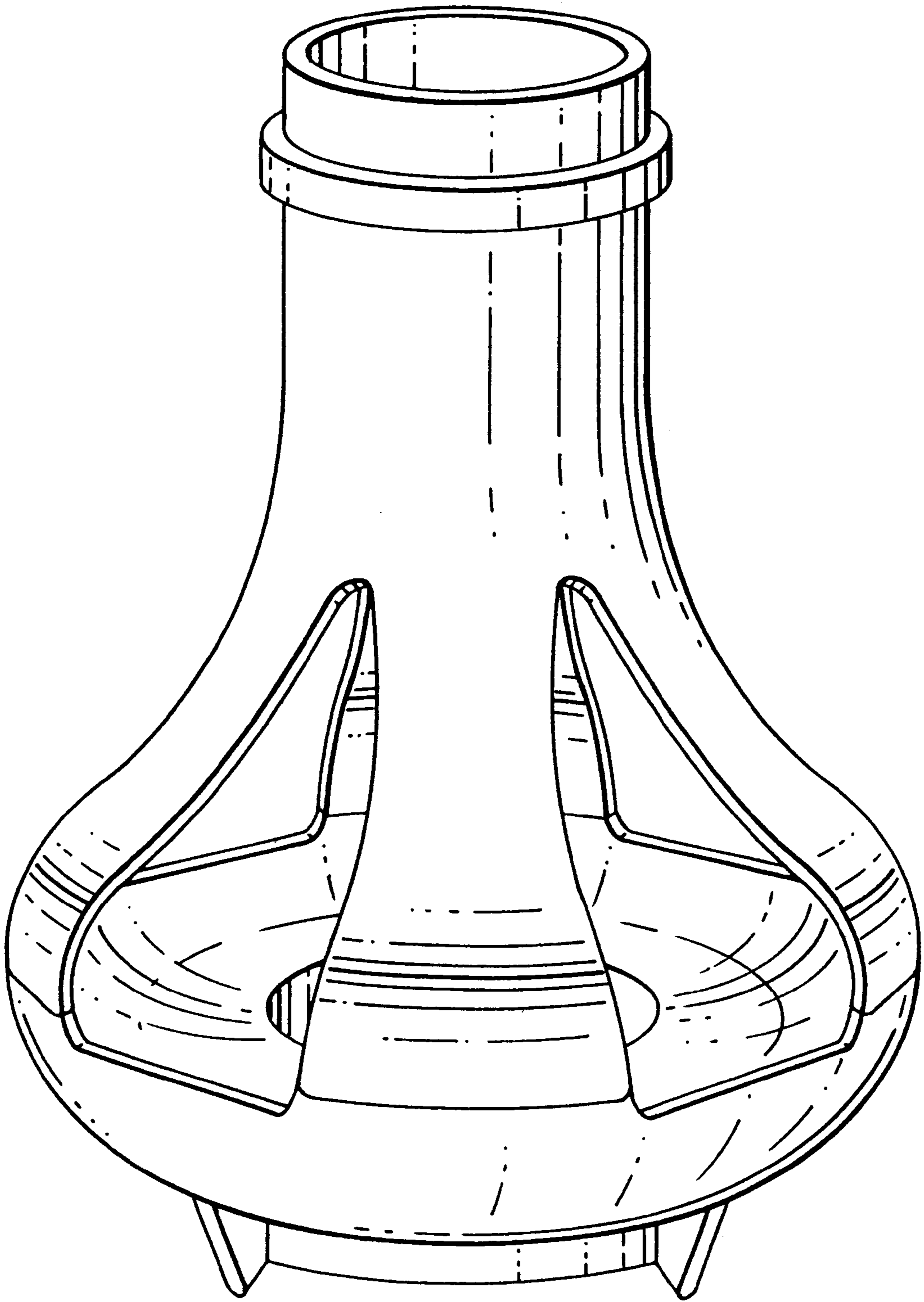


FIG. 7

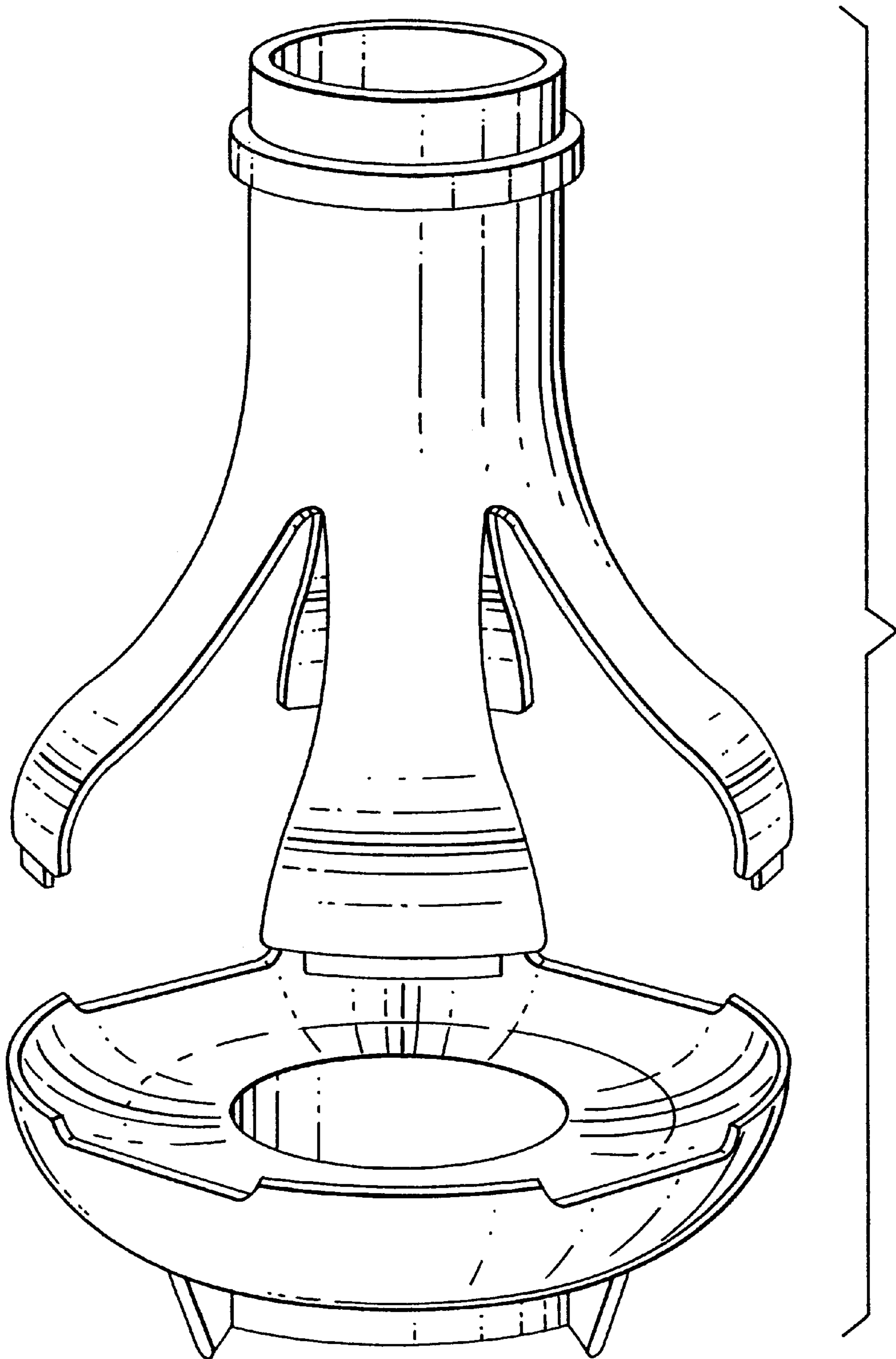


FIG. 8