



US00D445287S

(12) **United States Design Patent**  
**Kujala**

(10) **Patent No.:** **US D445,287 S**

(45) **Date of Patent:** **\*\* Jul. 24, 2001**

(54) **COMPACT DISK AND DISKETTE HOLDER/  
DISPLAY UNIT**

(76) **Inventor:** **Richard J. Kujala**, 317 W. McMillan  
Ave., P.O. Box 434, Newberry, MI (US)  
49868

(\*\*) **Term:** **14 Years**

(21) **Appl. No.:** **29/121,865**

(22) **Filed:** **Apr. 17, 2000**

**Related U.S. Application Data**

(63) Continuation-in-part of application No. 09/175,108, filed on  
Oct. 19, 1998.

(51) **LOC (7) Cl.** ..... **06-04**

(52) **U.S. Cl.** ..... **D6/629; D6/467**

(58) **Field of Search** ..... D6/407, 626-630,  
D6/462-468, 457, 476, 475, 473, 469;  
312/9.1-9.64; D19/75, 90; D32/55, 58;  
211/40, 41.1, 41.2, 41.3, 41.4, 42, 41.12,  
41.18; 206/307.1, 307, 308.1, 445, 387.15,  
454, 387.1, 425

(56) **References Cited**

**U.S. PATENT DOCUMENTS**

D. 161,139	*	12/1950	Shapiro	.....	D6/467
D. 201,733	*	7/1965	Vovakes	.....	D6/469 X
D. 206,469	*	12/1966	Toms	.....	D6/473
D. 213,737	*	4/1969	Kohles	.....	D19/90
D. 272,834	*	2/1984	Moore	.....	D19/75
D. 273,961	*	5/1984	Bassey	.....	D6/457
D. 274,919	*	7/1984	Basaldua, Jr.	.....	D19/75
D. 300,095	*	3/1989	Robinson	.....	D6/467

D. 301,189	*	5/1989	Wallace	.....	D6/407
D. 320,128	*	9/1991	Fithian	.....	D6/407
D. 324,144	*	2/1992	Watrous	.....	D6/476
D. 336,752	*	6/1993	Lattimer	.....	D19/90
601,753	*	4/1898	Kaiser	.....	211/41.2
2,354,872	*	8/1944	Mitnick	.....	211/40
2,873,859	*	2/1959	Gates	.....	211/41.1
3,476,257	*	11/1969	O'Connell	.....	211/13.1
4,366,903	*	1/1983	Gaiser et al.	.....	206/387.15
4,676,372	*	6/1987	Rager	.	
4,712,679	*	12/1987	Lowe	.....	206/308.1
5,447,243	*	9/1995	Graber	.....	211/69.5
5,632,374	*	5/1997	Fitzsimmons et al.	.....	206/308.1
5,660,284	*	8/1997	Vaughn	.....	211/41.1

\* cited by examiner

*Primary Examiner*—Jeffrey Asch

(74) *Attorney, Agent, or Firm*—Donald Cayen

(57) **CLAIM**

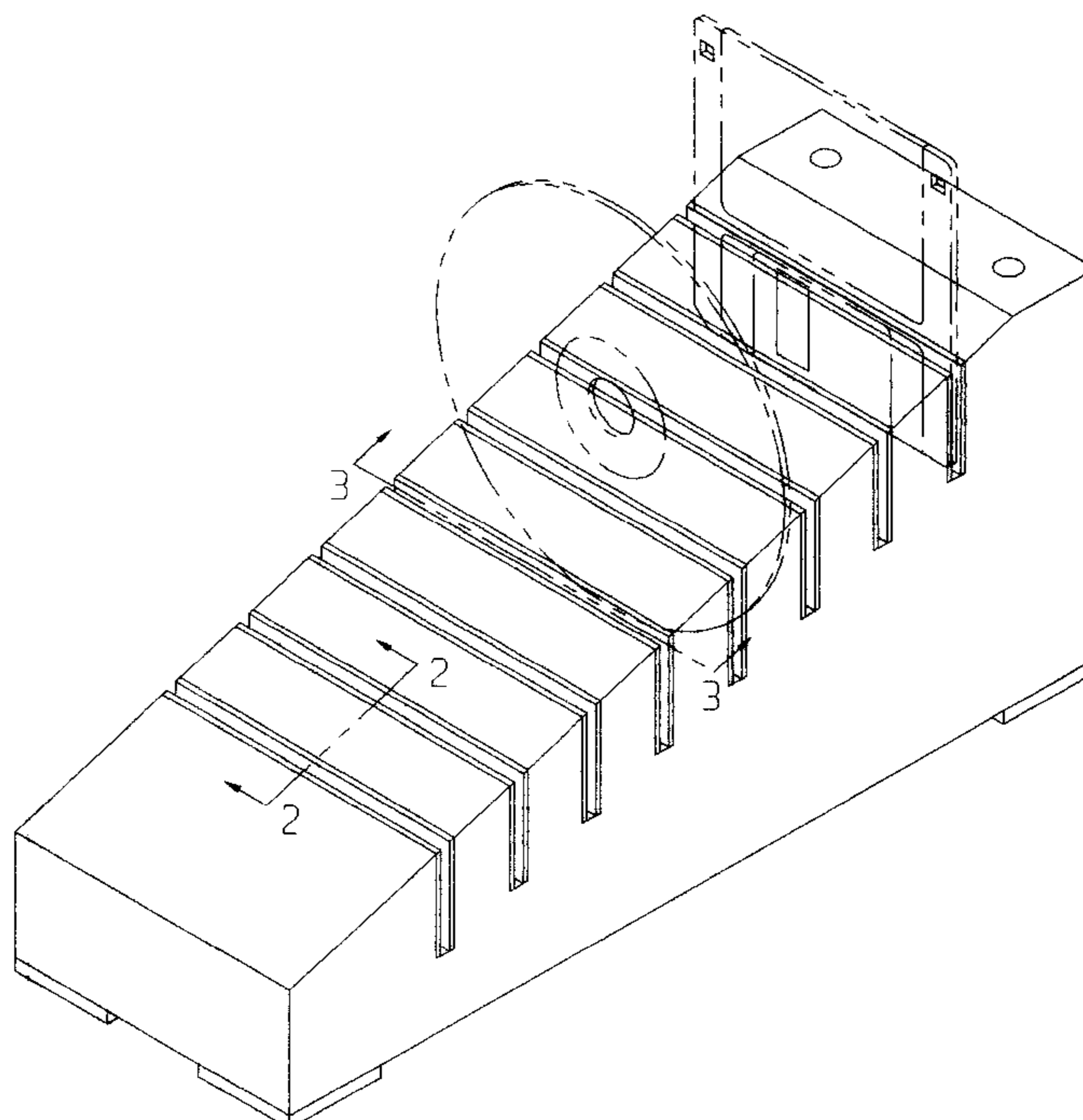
The ornamental design for a compact disk and diskette holder/display unit, as shown and described.

**DESCRIPTION**

FIG. 1 is a front perspective view of a compact disk and diskette holder/display unit showing my new design; FIG. 2 is a cross sectional view taken along line 2—2 of FIG. 1; and, FIG. 3 is a cross sectional view taken along line 3—3 of FIG. 1.

The left side of the article is a mirror image of the right side shown in FIG. 1. The undisclosed rear and bottom surfaces form no part of the claimed ornamental design. The broken line showings of FIG. 1 are for illustrative purposes only and form no part of the claimed design.

**1 Claim, 1 Drawing Sheet**



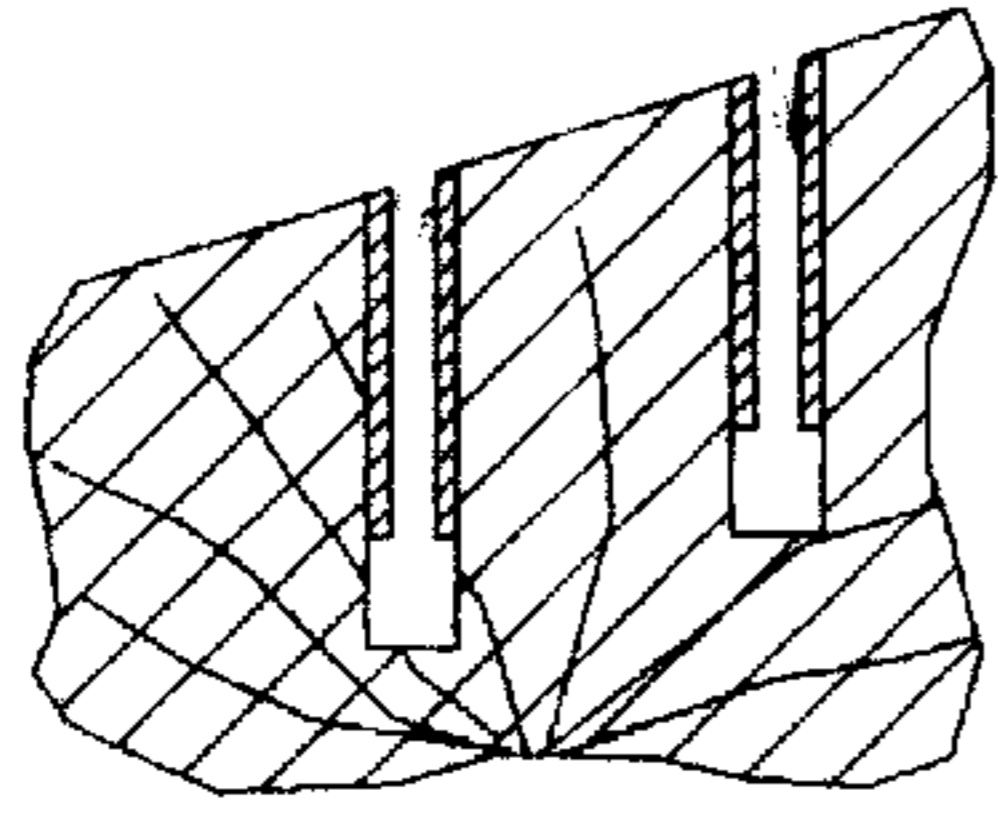


FIG. 2

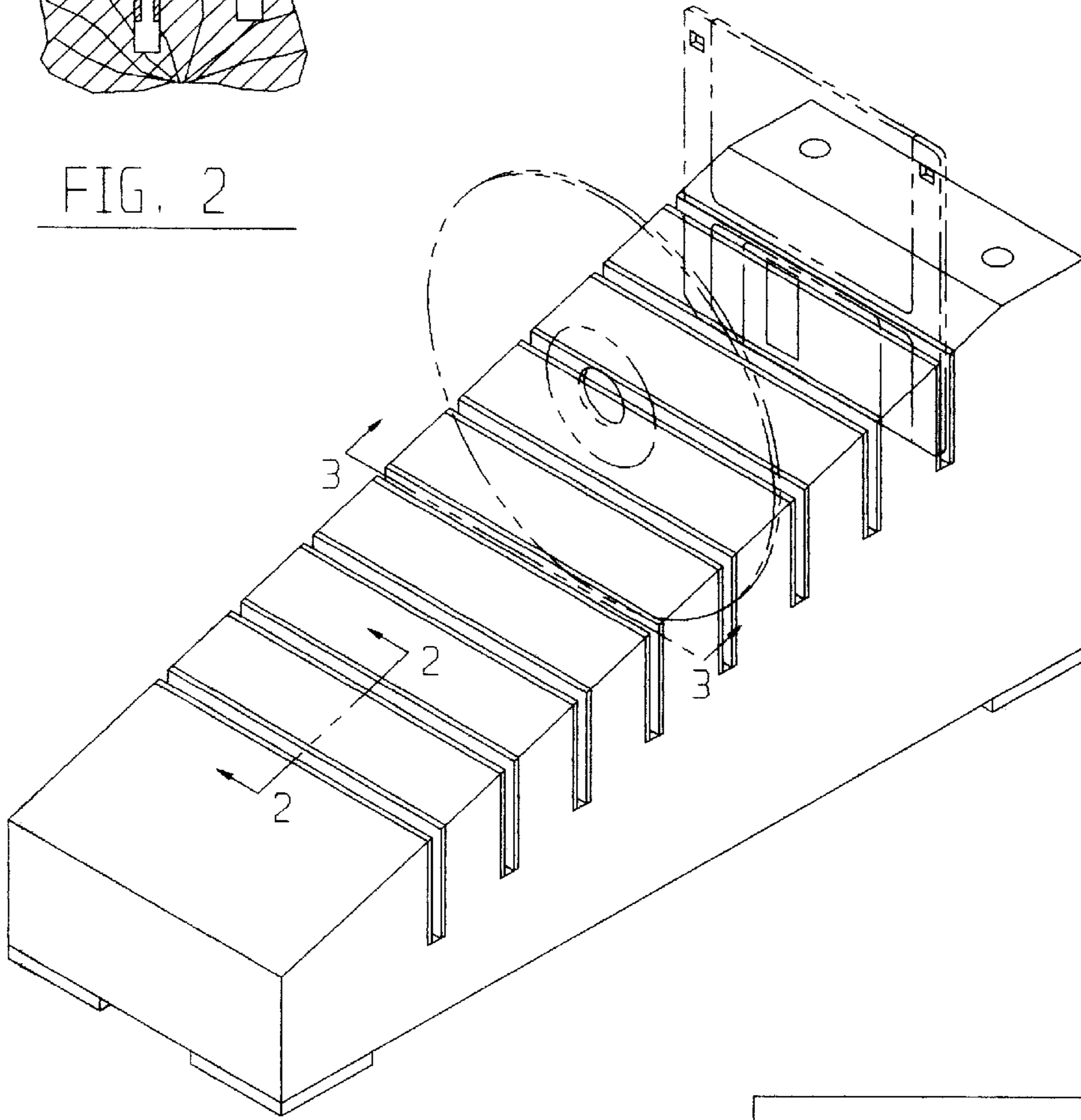


FIG. 1

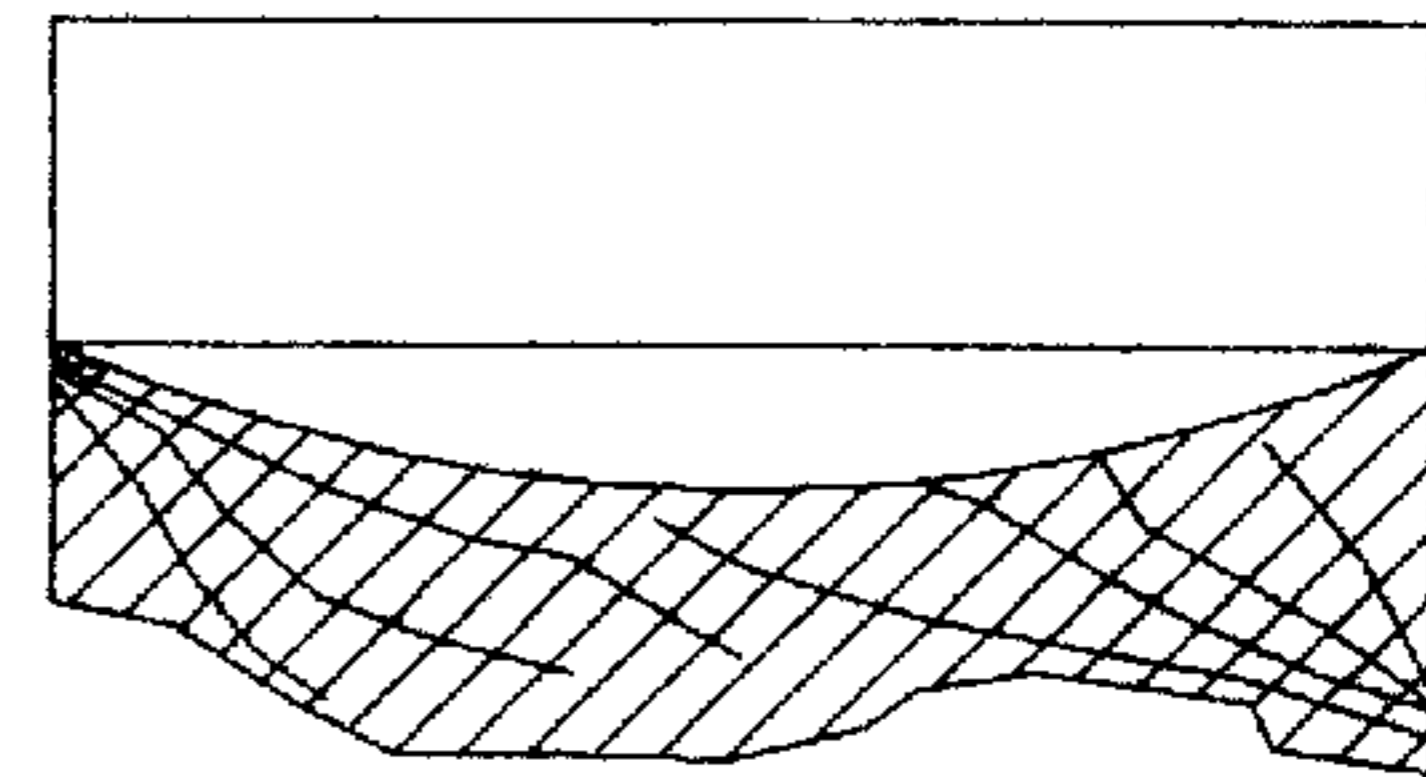


FIG. 3