



US00D445283S

(12) **United States Design Patent**
Camfferman

(10) **Patent No.:** **US D445,283 S**

(45) **Date of Patent:** **** Jul. 24, 2001**

(54) **BEDBOARD**

(75) Inventor: **Brent J Camfferman**, Winnipeg (CA)

(73) Assignee: **Palliser Furniture Ltd.** (CA)

(**) Term: **14 Years**

(21) Appl. No.: **29/121,173**

(22) Filed: **Mar. 31, 2000**

(51) **LOC (7) Cl.** **06-06**

(52) **U.S. Cl.** **D6/508; D6/503**

(58) **Field of Search** **D6/382, 390-395,**
D6/505-508, 503, 491; 5/53.1, 907, 279.1,
280, 281

(56) **References Cited**

U.S. PATENT DOCUMENTS

D. 90,255 * 7/1933 McClure D6/393
D. 186,099 * 9/1959 Herrmann D6/507

OTHER PUBLICATIONS

Drexel Malay, c1977, p. 8, headboard.*

* cited by examiner

Primary Examiner—Janice E. Seeger

(74) *Attorney, Agent, or Firm*—Michael Best & Friedrich
LLP

(57) **CLAIM**

The ornamental design for a bedboard, as shown and described.

DESCRIPTION

FIG. 1 is a front elevational view of a bedboard showing my new design;

FIG. 2 is a cross sectional view at line 2—2 in FIG. 1;

FIG. 3 is a top view thereof;

FIG. 4 is another front elevational view showing a cross sectional line 5—5;

FIG. 5 is a cross sectional view at line 5—5 in FIG. 4;

FIG. 6 is a front left side perspective view thereof, the right side being a mirror image;

FIG. 7 is a front elevational view of another bedboard showing my new design;

FIG. 8 is a cross sectional view at line 8—8 in FIG. 7;

FIG. 9 is a top view thereof;

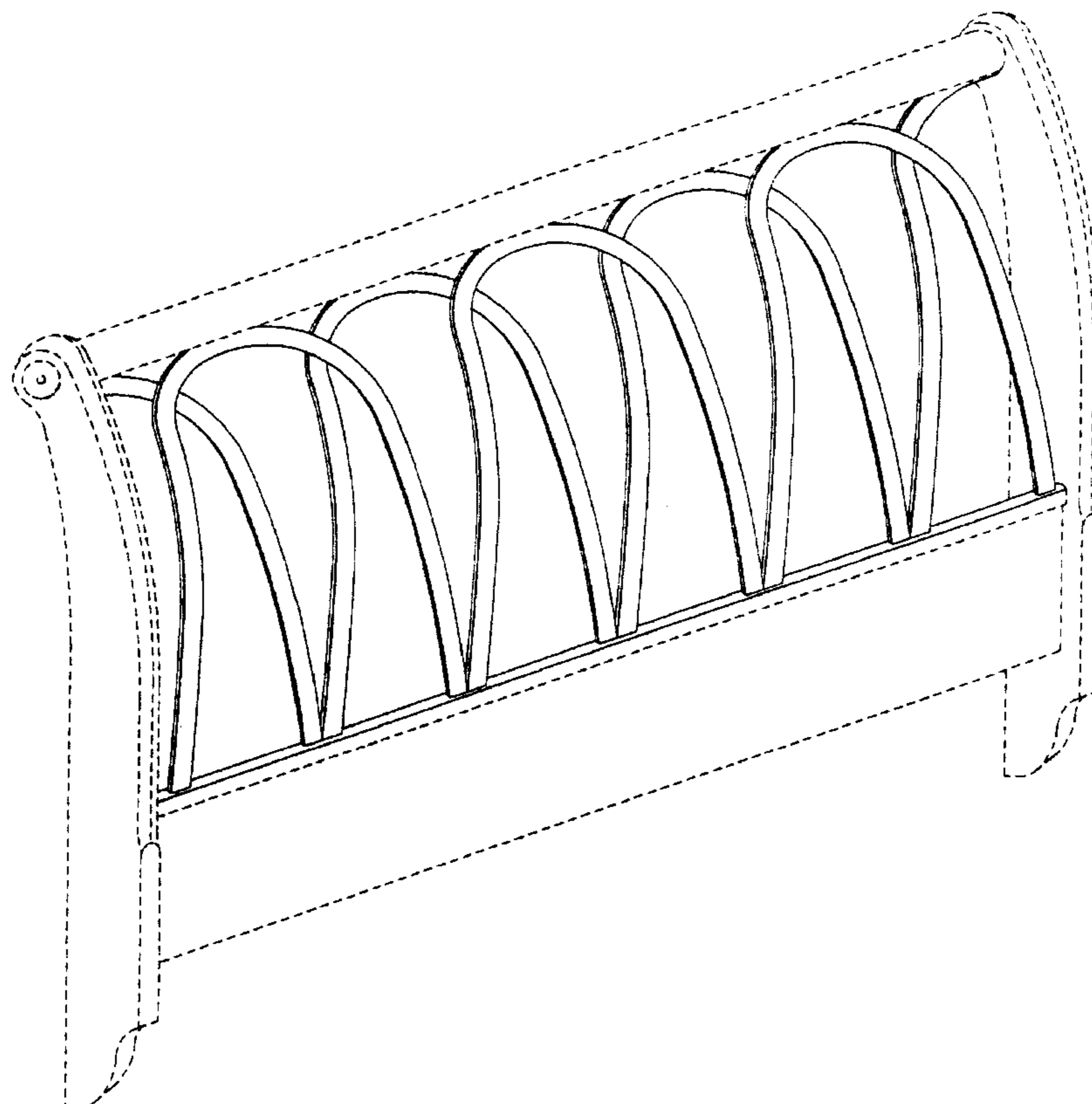
FIG. 10 is another front elevational view showing a cross sectional line 11—11;

FIG. 11 is a cross sectional view at line 11—11 in FIG. 10; and,

FIG. 12 is a front left side perspective view thereof, the right side being a mirror image.

The broken lines shown throughout the views are for illustrative purposes only.

1 Claim, 8 Drawing Sheets



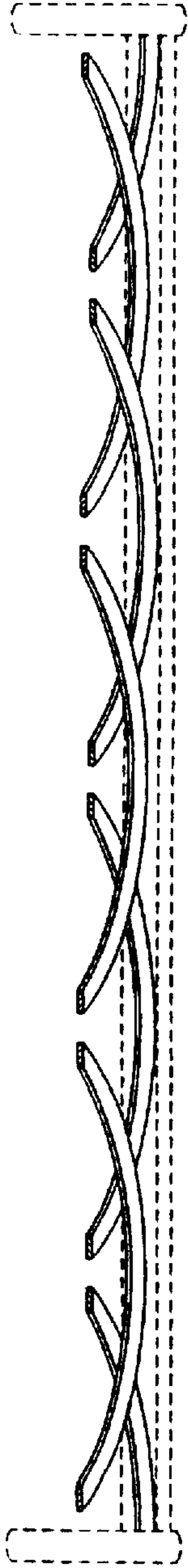


FIG. 2

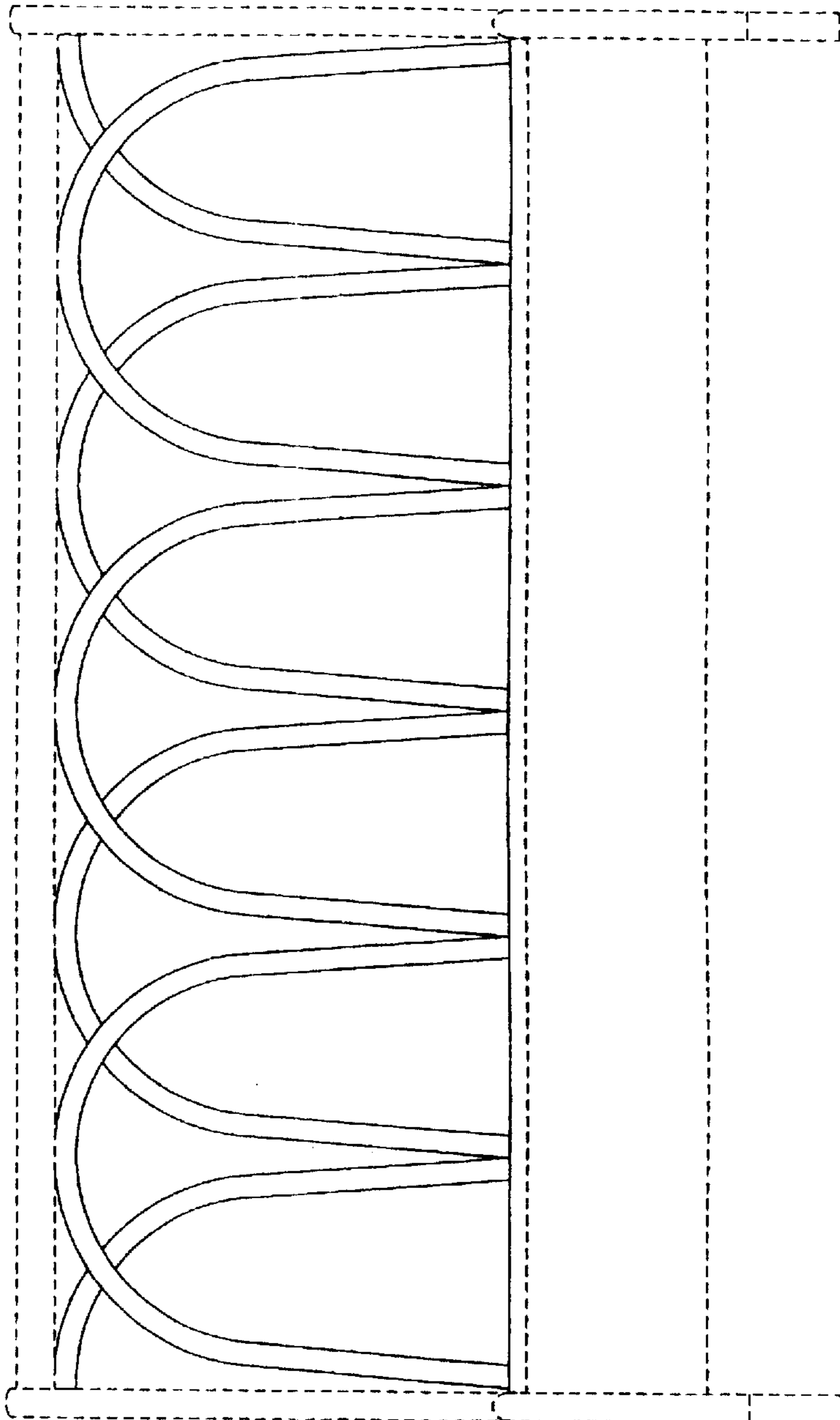


FIG. 1

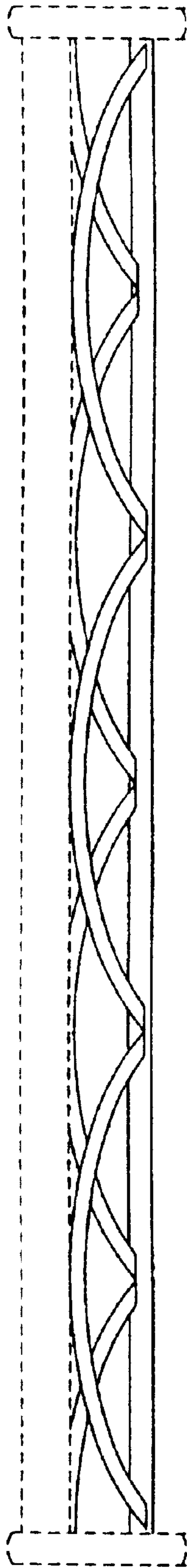
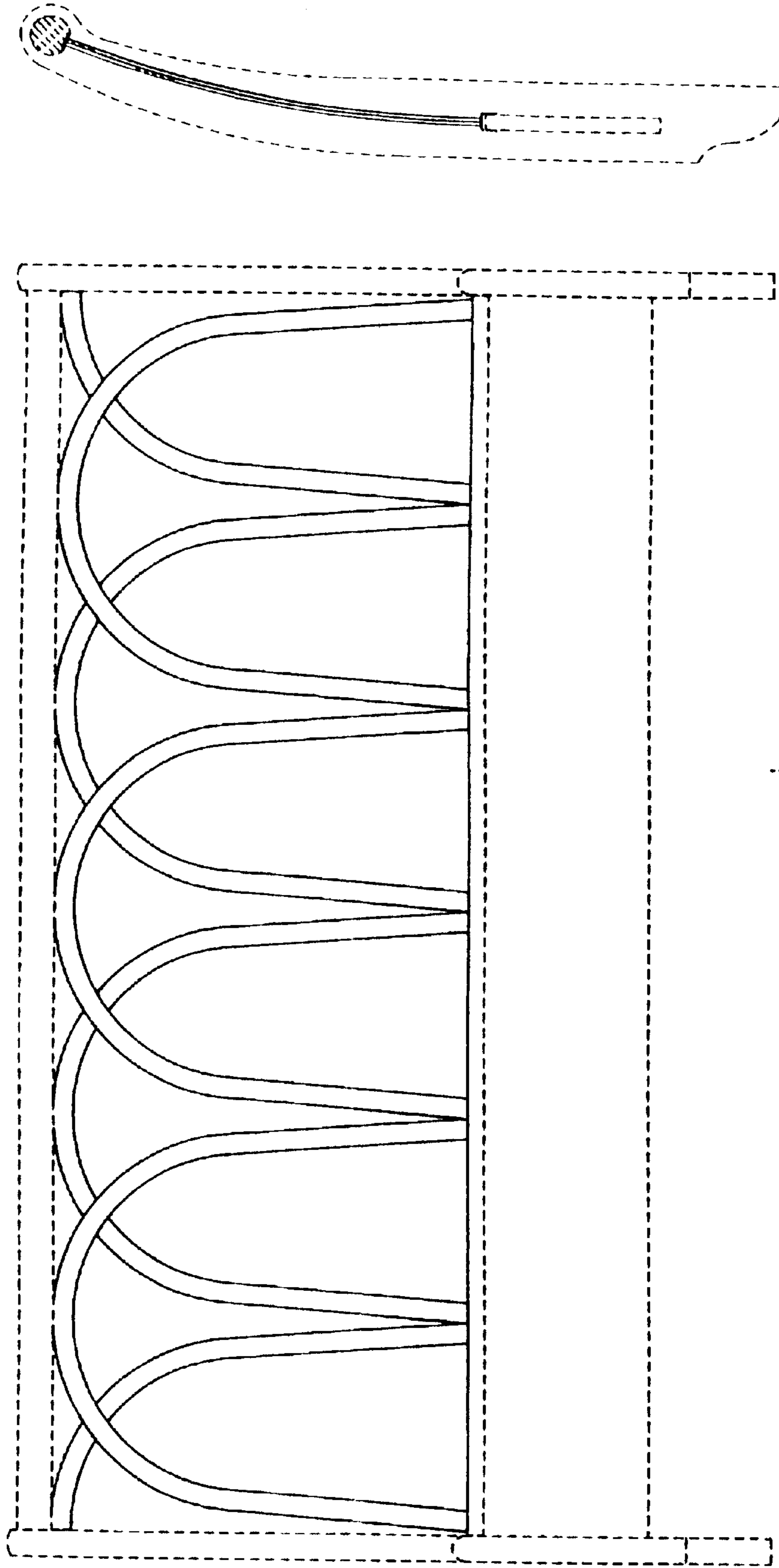


FIG. 3



5

5

FIG. 4

FIG. 5

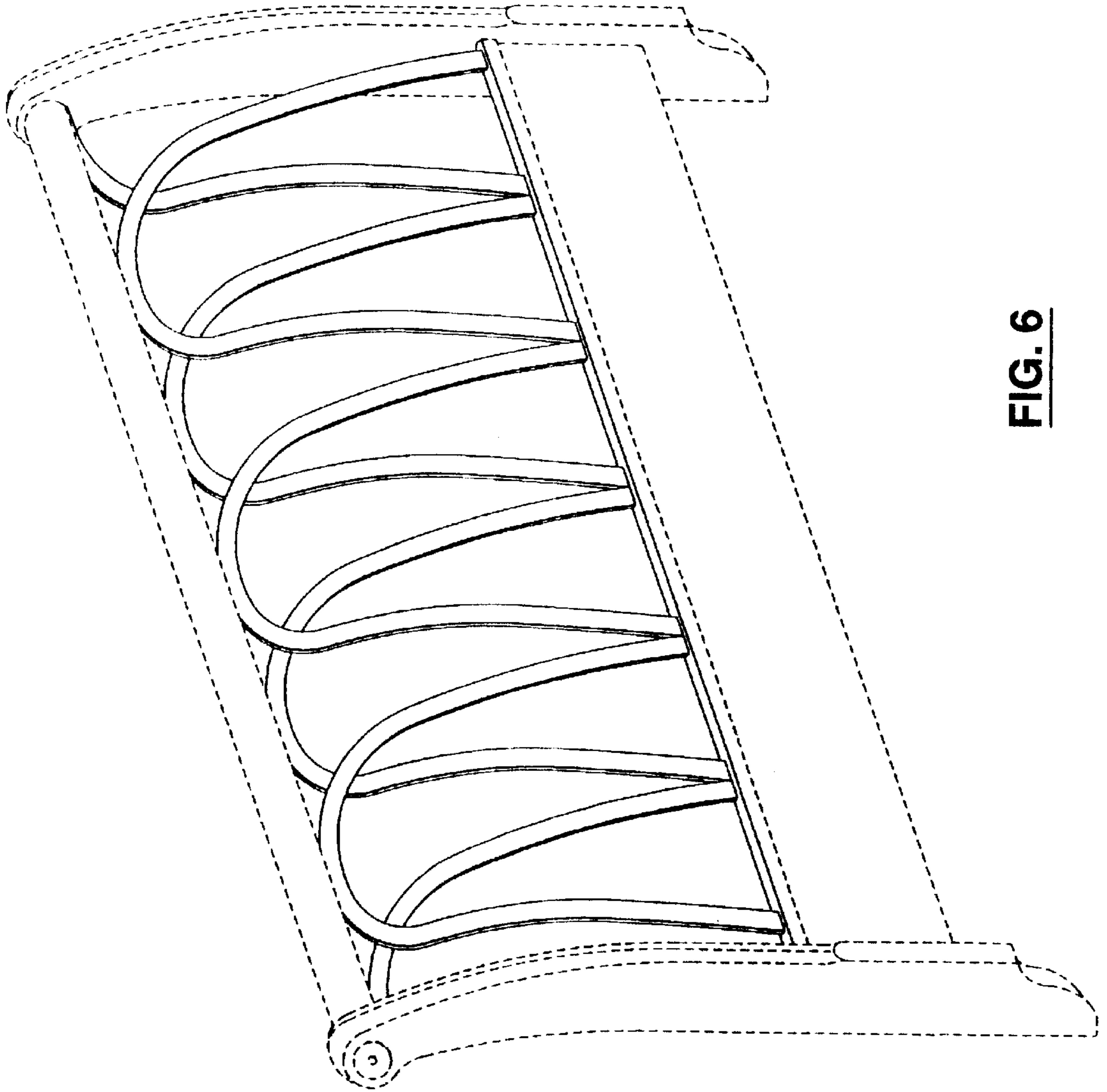


FIG. 6

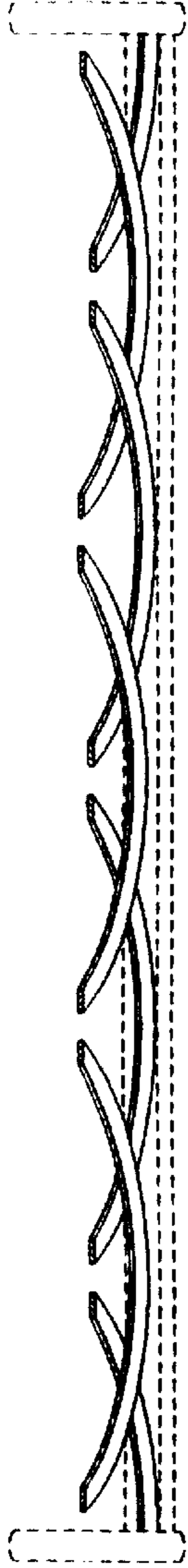


FIG. 8

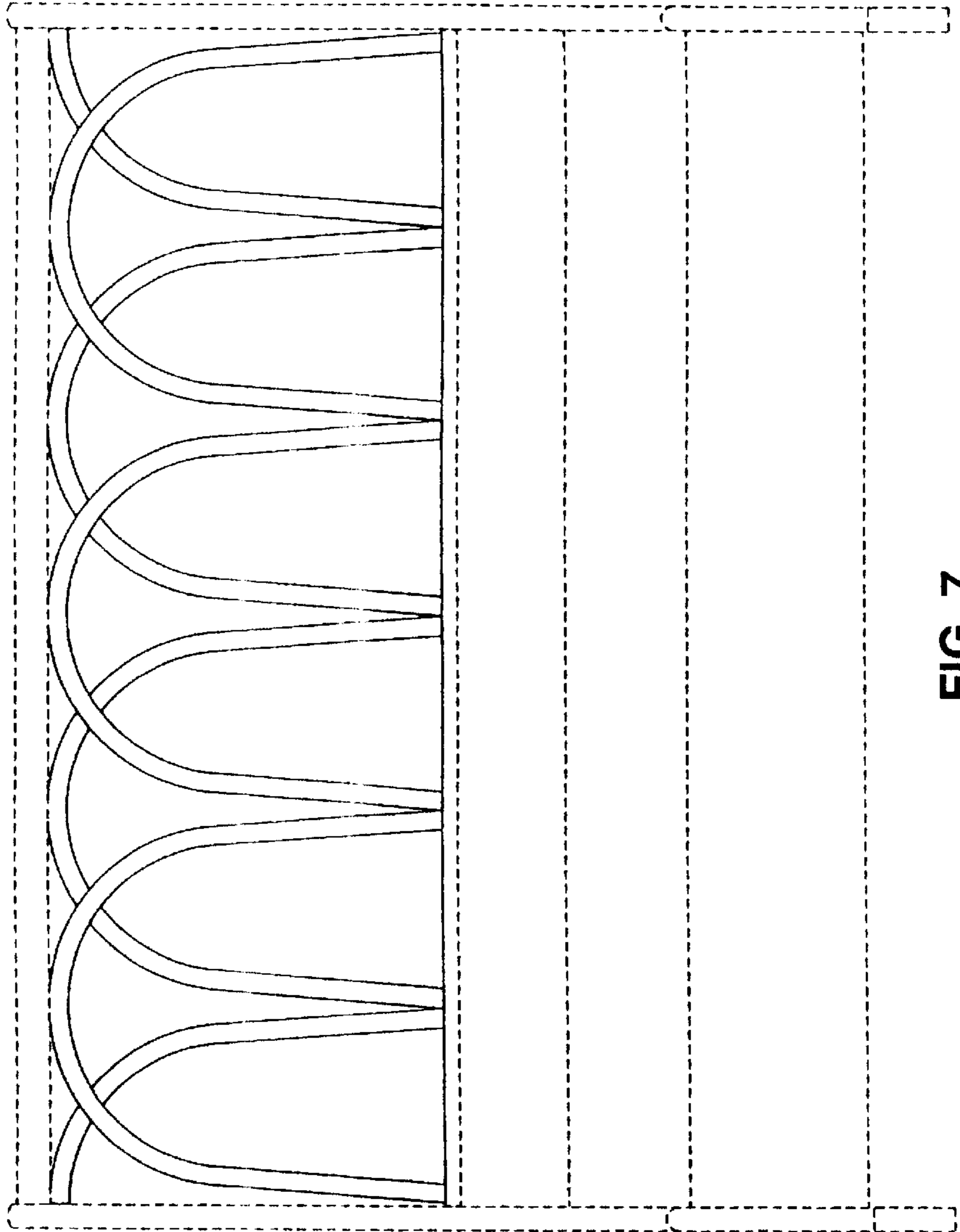


FIG. 7



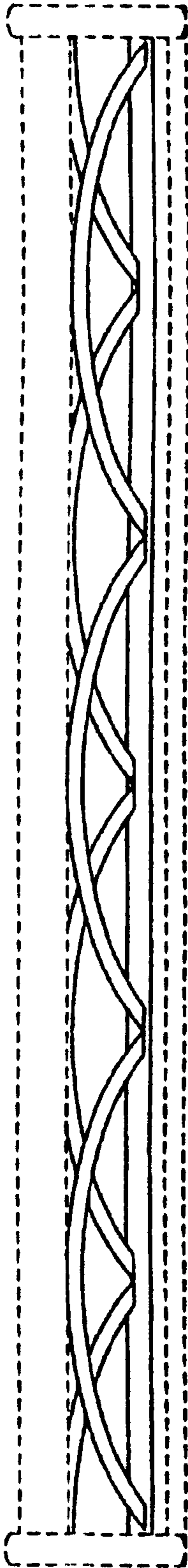


FIG. 9

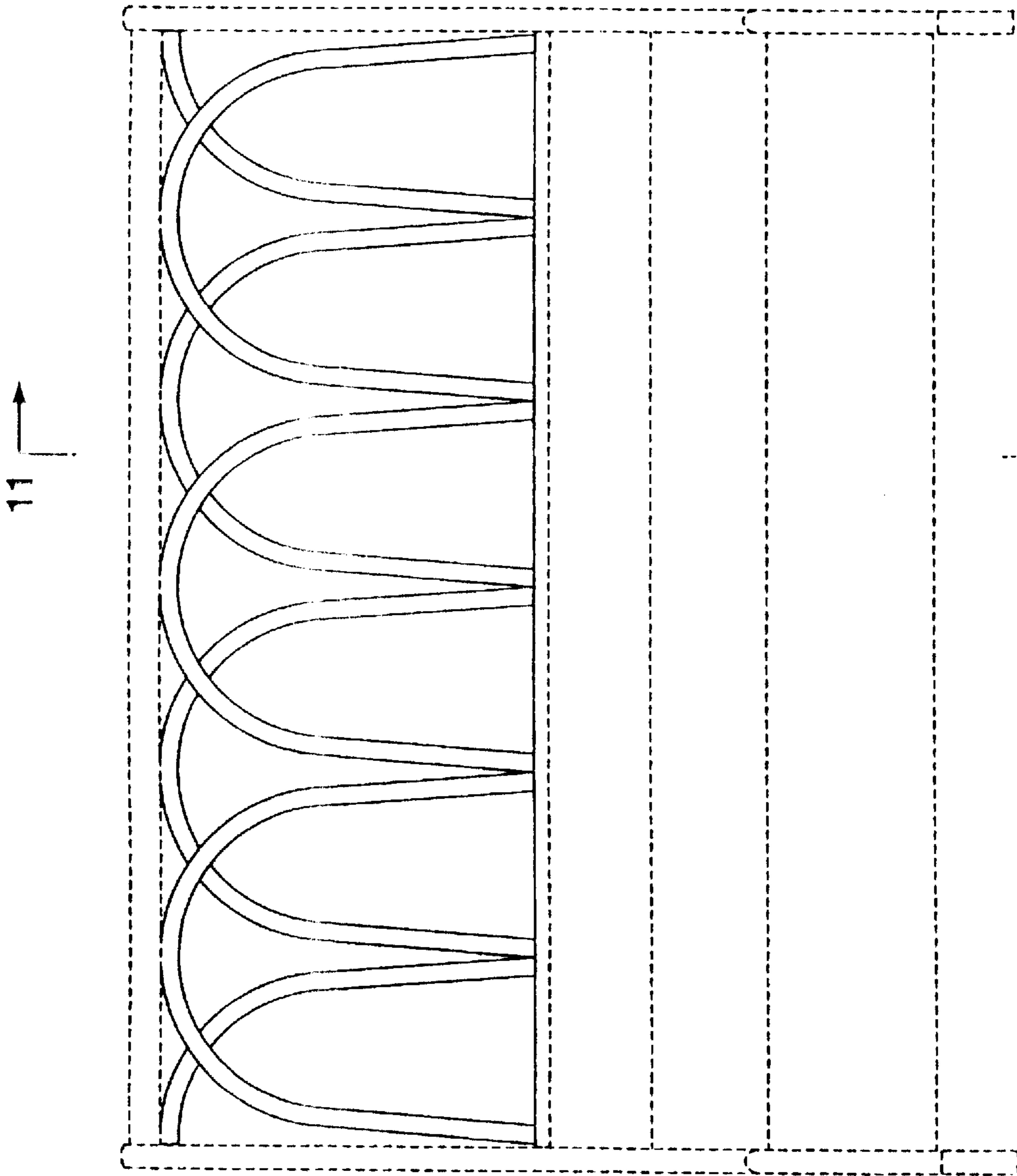


FIG. 10

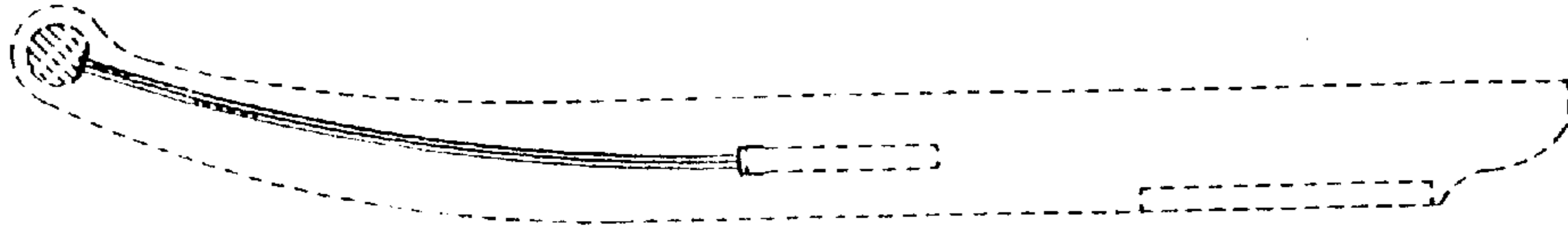


FIG. 11

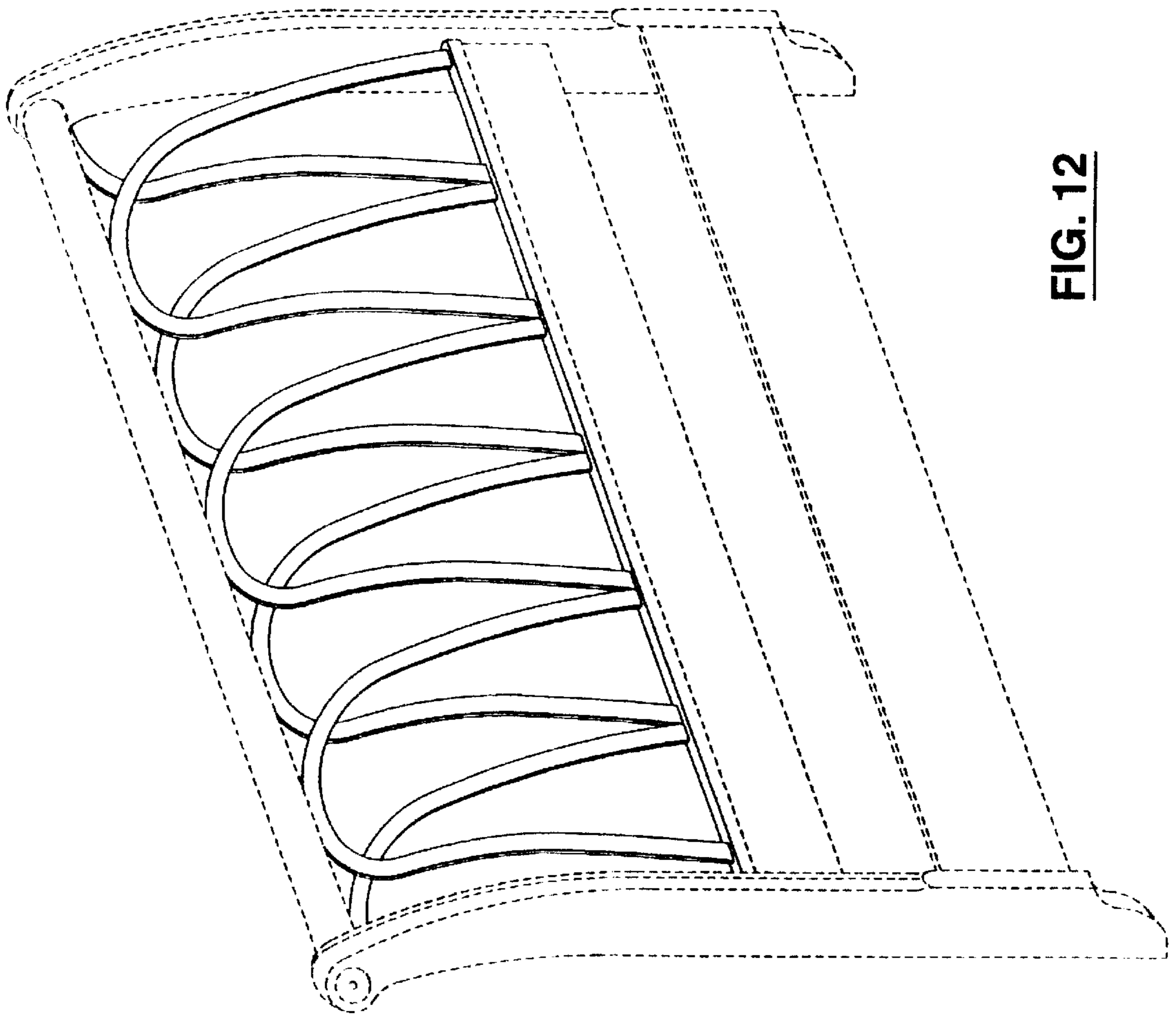


FIG. 12