



US00D445278S

(12) **United States Design Patent**
Weiss et al.

(10) **Patent No.:** **US D445,278 S**

(45) **Date of Patent:** **** Jul. 24, 2001**

(54) **DISPLAY FACADE**

(75) Inventors: **Adrienne Weiss**, Los Angeles, CA (US); **Rizal Oei**, Scottsdale, AZ (US)

(73) Assignee: **Build-A-Bear Workshop, L.L.C.**, St. Louis, MO (US)

(**) Term: **14 Years**

(21) Appl. No.: **29/095,270**

(22) Filed: **Oct. 20, 1998**

(51) **LOC (7) Cl.** **06-04**

(52) **U.S. Cl.** **D6/434**

(58) **Field of Search** D6/434; 312/204

(56) **References Cited**

U.S. PATENT DOCUMENTS

- D. 252,722 * 8/1979 Hero et al. D6/431
- D. 431,933 * 10/2000 Clark et al. D6/434

* cited by examiner

Primary Examiner—Cathron C. Brooks
(74) *Attorney, Agent, or Firm*—Blackwell Sanders Peper Martin

(57) **CLAIM**

The ornamental design for a display facade, as shown and described.

DESCRIPTION

FIG. 1 is a perspective view of a display facade showing our new design;

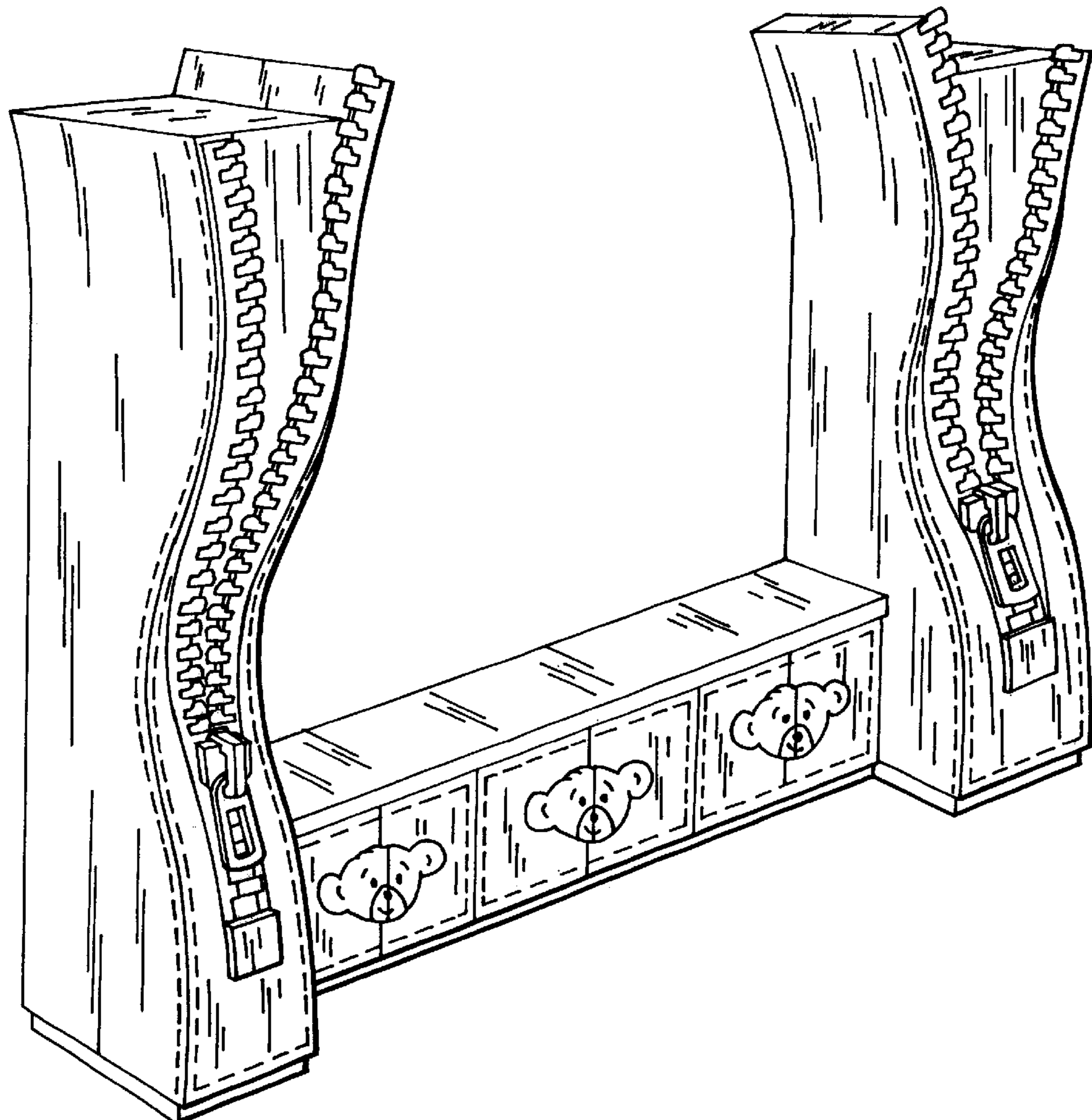
FIG. 2 is a reduced front elevational view thereof;

FIG. 3 is an enlarged left side elevational view thereof; and,

FIG. 4 is an enlarged right side elevational view thereof.

The broken lines shown in the drawings are simulative of stitching.

1 Claim, 3 Drawing Sheets



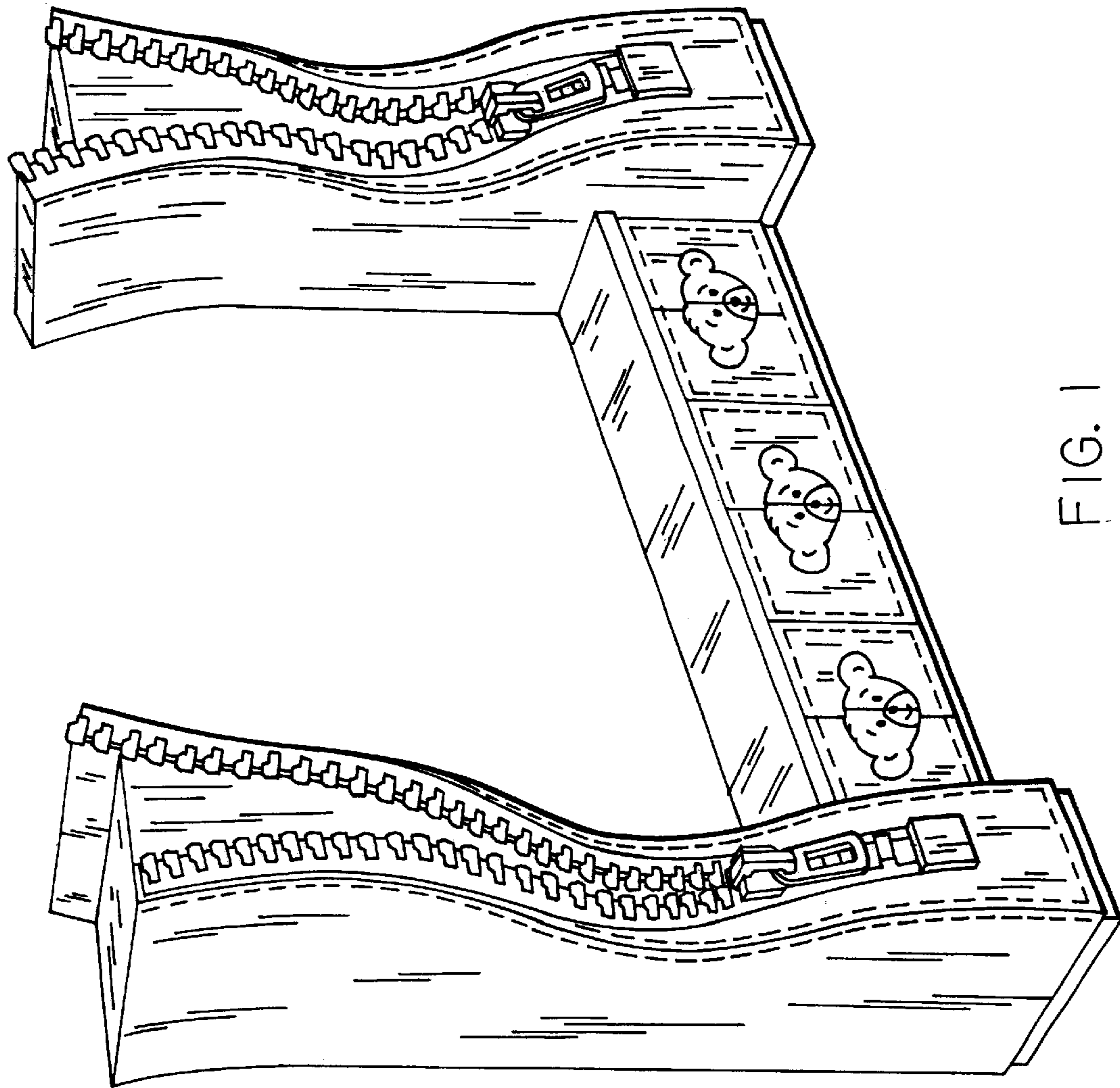


FIG. 1

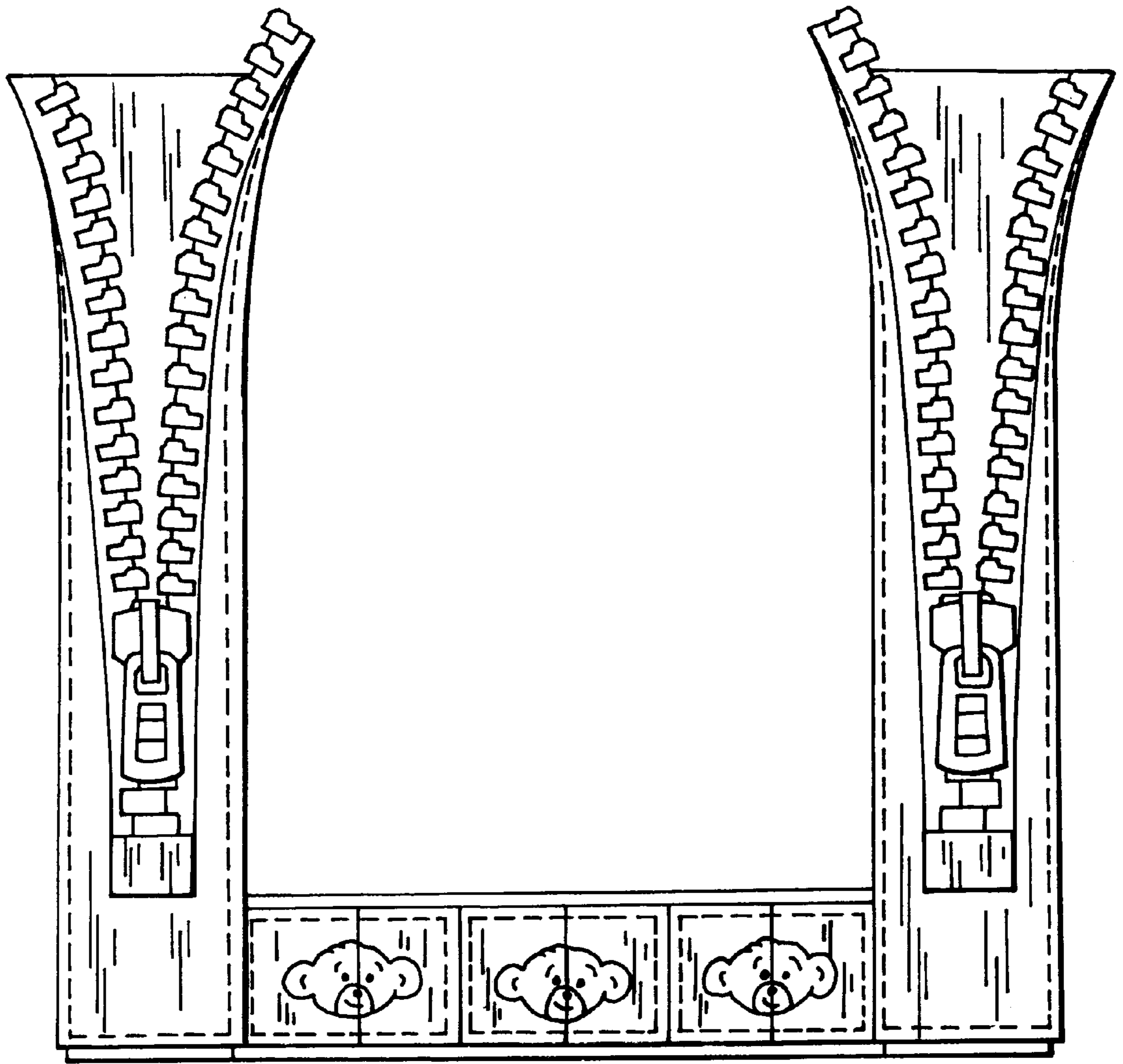


FIG. 2

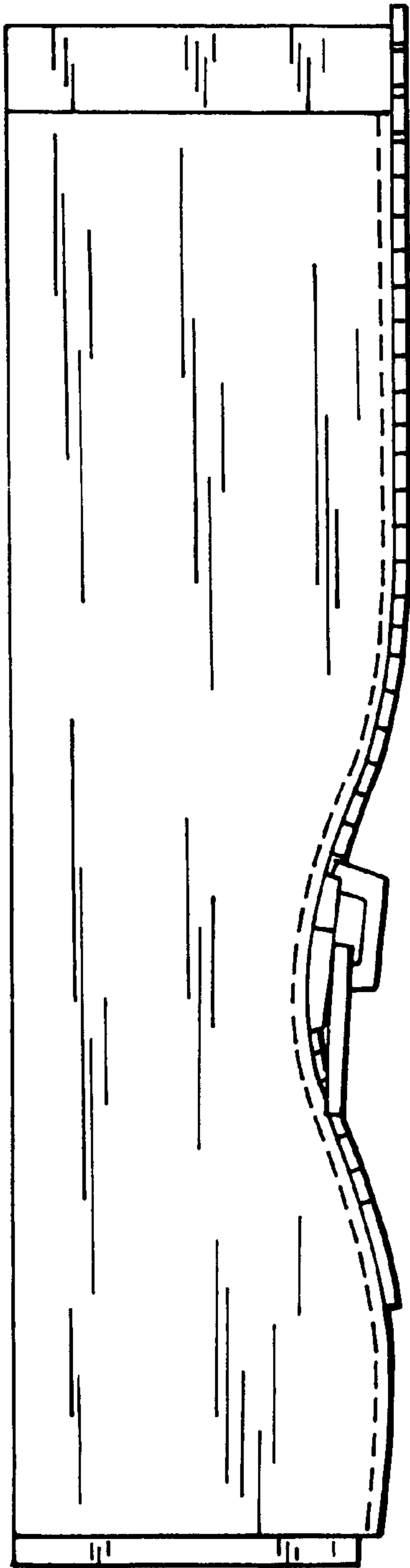


FIG. 3

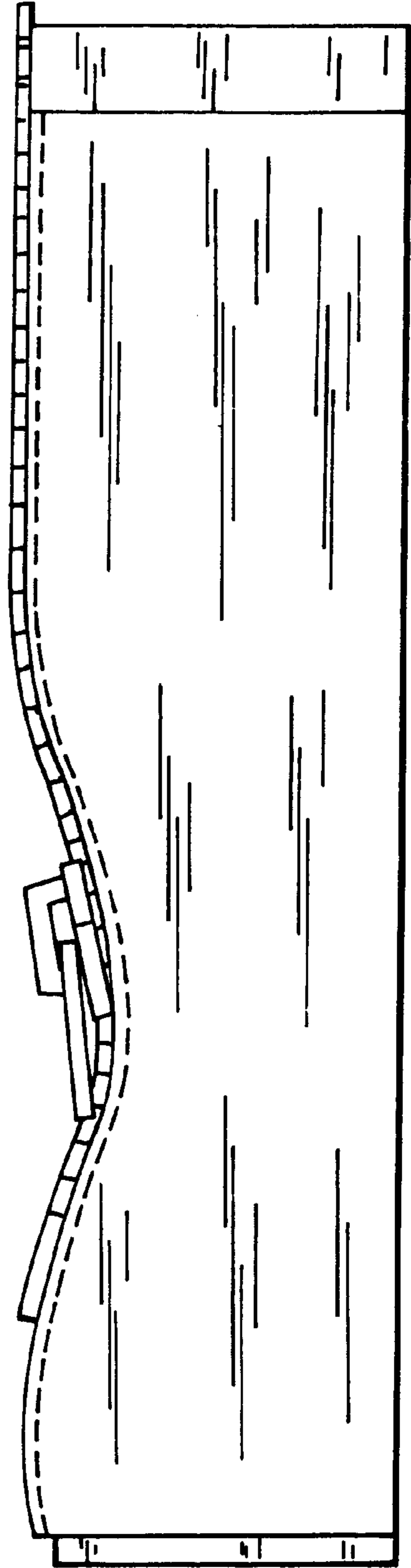


FIG. 4