



US00D445277S

(12) **United States Design Patent**  
**Petri**

(10) **Patent No.:** **US D445,277 S**

(45) **Date of Patent:** **\*\* Jul. 24, 2001**

(54) **WORKSTATION**

(75) Inventor: **Manfred Petri**, Marietta, GA (US)

(73) Assignee: **Tella Systems (1998), Inc.**, Quebec (CA)

(\*\*) Term: **14 Years**

(21) Appl. No.: **29/125,993**

(22) Filed: **Jul. 7, 2000**

(30) **Foreign Application Priority Data**

Feb. 15, 2000 (CA) ..... 2000-0467

(51) **LOC (7) Cl.** ..... **06-04**

(52) **U.S. Cl.** ..... **D6/422; D6/423**

(58) **Field of Search** ..... D6/422-428, 511;  
312/194-196, 239, 208.1, 198, 204; 108/59,  
50.01, 50.02

(56) **References Cited**

**U.S. PATENT DOCUMENTS**

- D. 134,298 \* 11/1942 Eppenstein ..... 312/194
- D. 415,377 \* 10/1999 Lottes ..... D6/511
- 4,536,044 \* 8/1985 Ziegelheim et al. .... 312/195
- 5,623,881 \* 4/1997 Huang ..... 108/50
- 5,992,332 \* 11/1999 Grabowski ..... 108/64

**OTHER PUBLICATIONS**

Modern Office 1993-94, p. 18, top left tables.\*

\* cited by examiner

*Primary Examiner*—Janice E. Seeger

(74) *Attorney, Agent, or Firm*—Finnegan, Henderson, Farabow, Garrett and Dunner, L.L.P.

(57) **CLAIM**

The ornamental design for a workstation, as shown and described.

**DESCRIPTION**

FIG. 1 is an isometric view of the workstation of the present invention which displays prominently its right side, as a whole.

FIG. 2 is an isometric view of the workstation of the present invention which displays prominently its left side, as a whole.

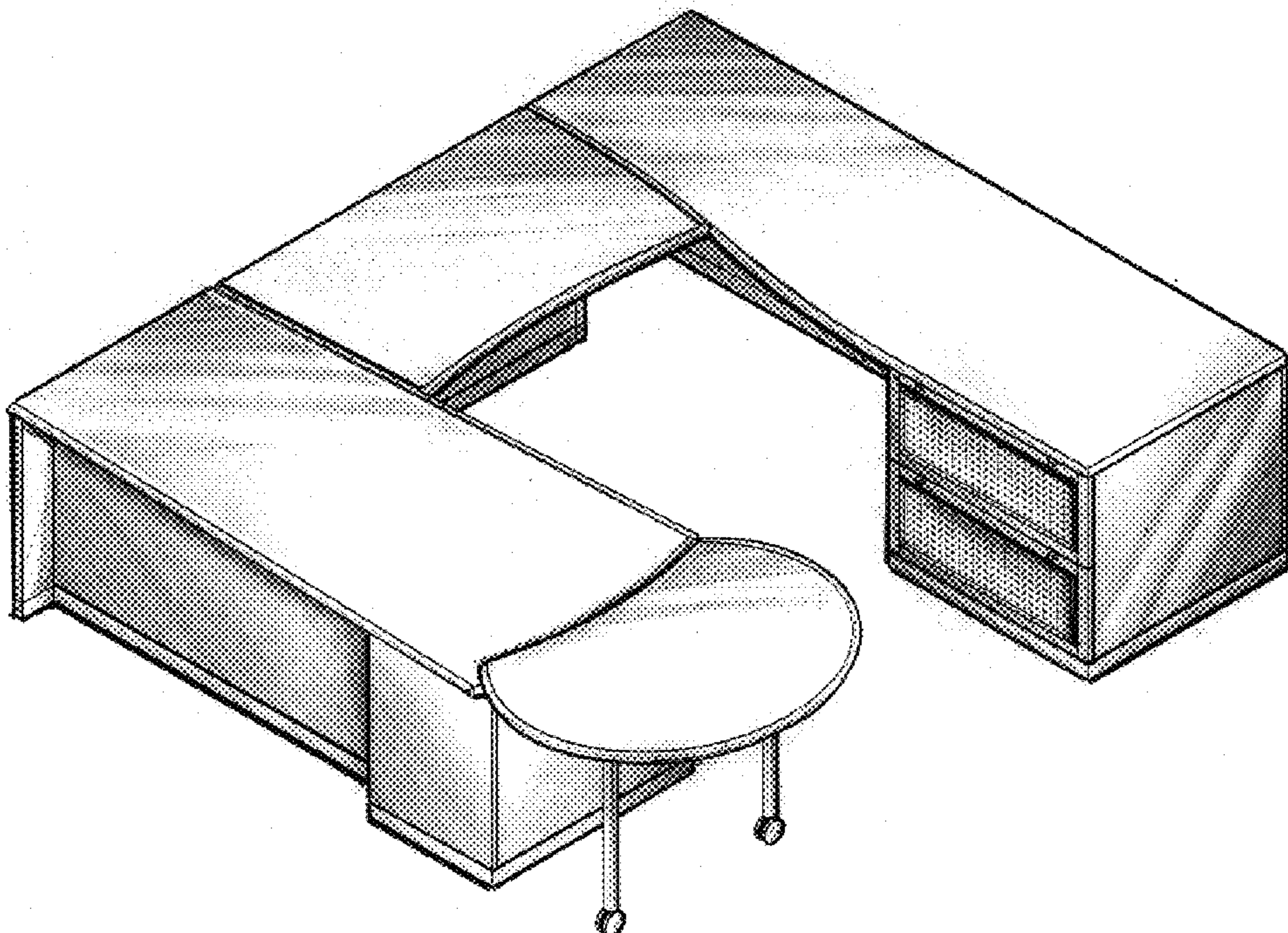
FIG. 3 is a top view of the combination of the common work surface elements of the workstation of the present invention in plan.

FIG. 4 is a rear view of the workstation of the present invention.

FIG. 5 is a vertical section view of the right side of the workstation shown in FIG. 3 showing the drawers faces and the support gable with a radius cut-out; and,

FIG. 6 is a vertical section view of the left side of the workstation shown in FIG. 3 showing the drawers faces and the support gable with a radius cut-out.

**1 Claim, 6 Drawing Sheets**



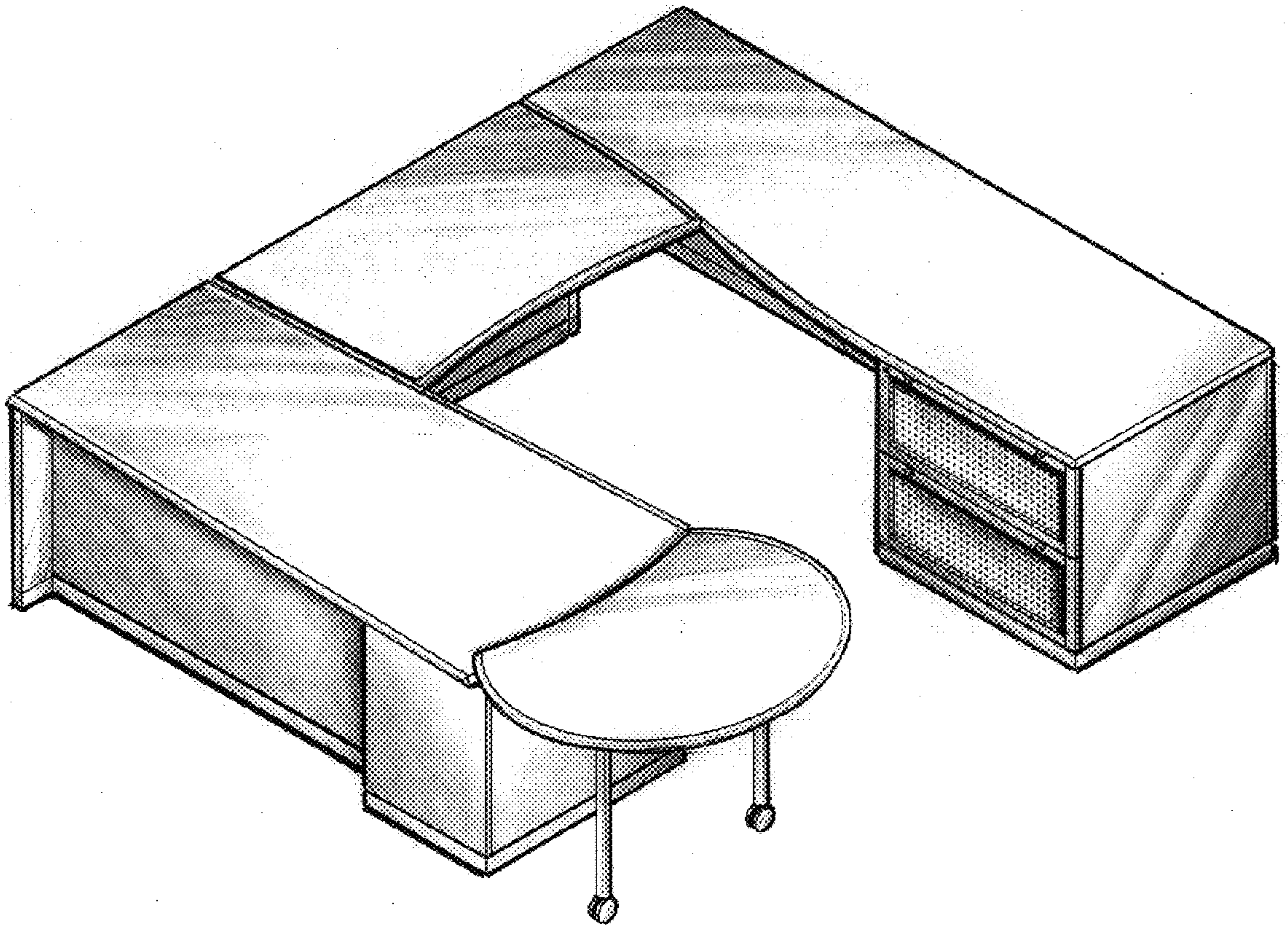


FIGURE 1



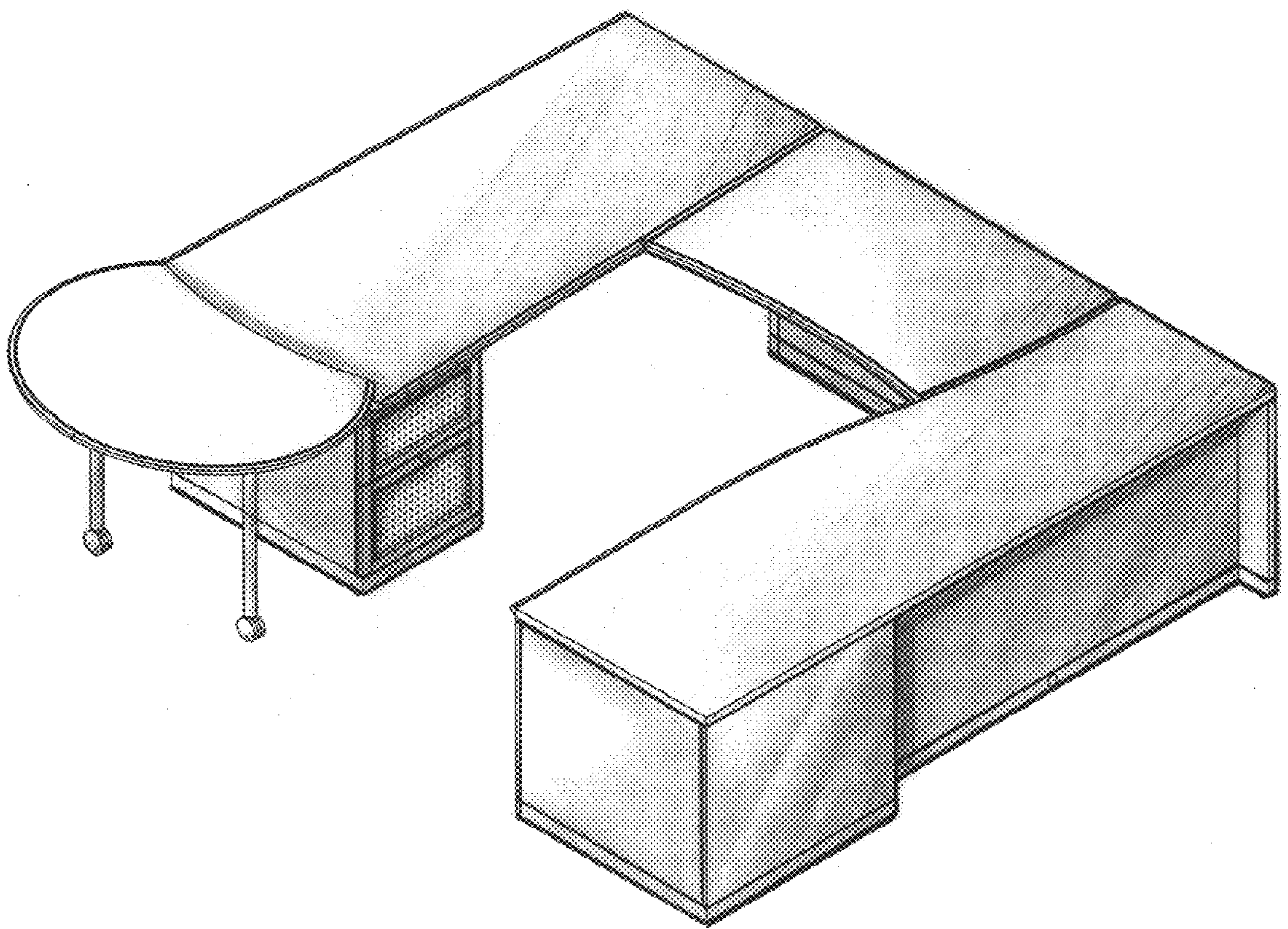


FIGURE 2

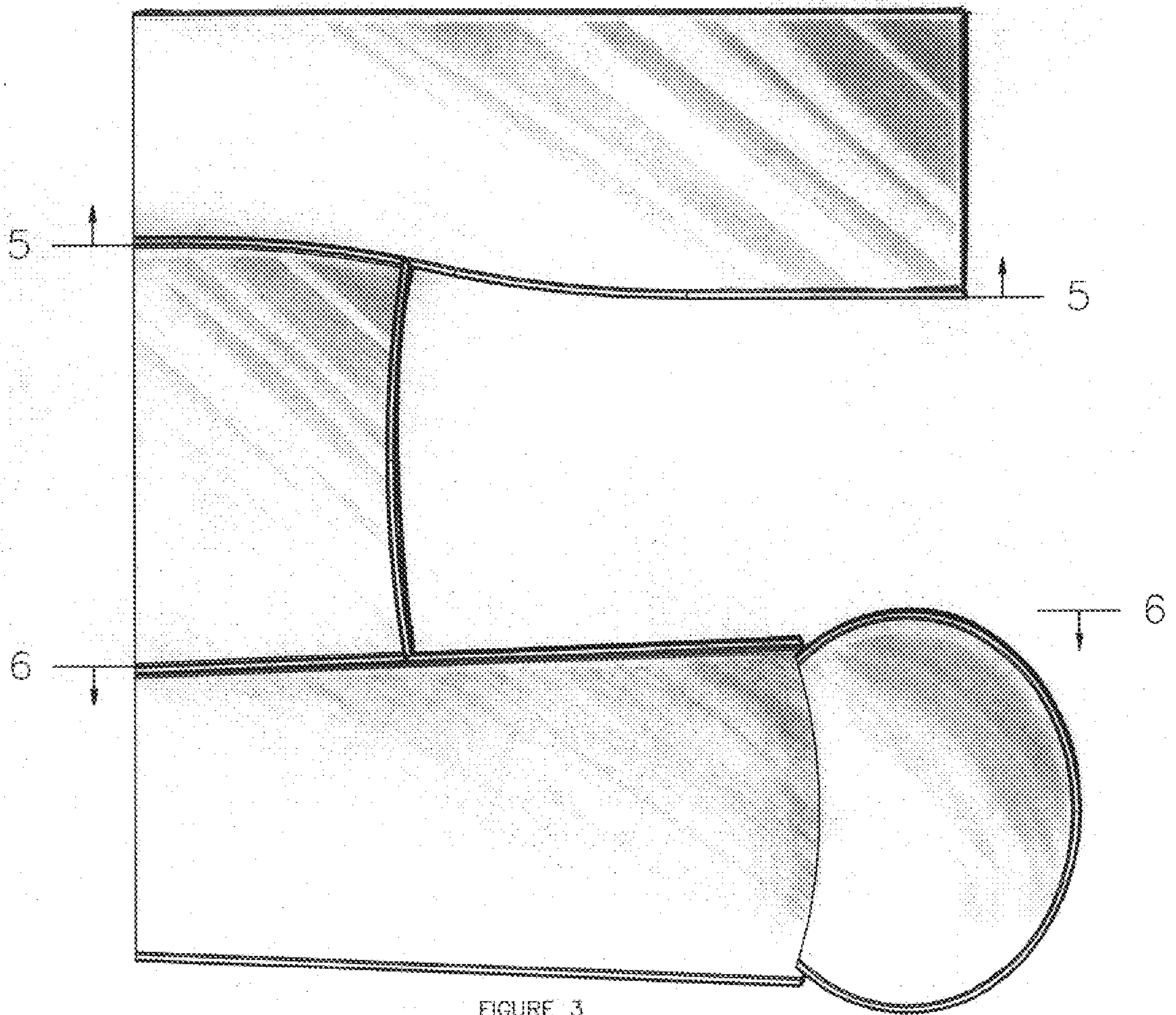


FIGURE 3



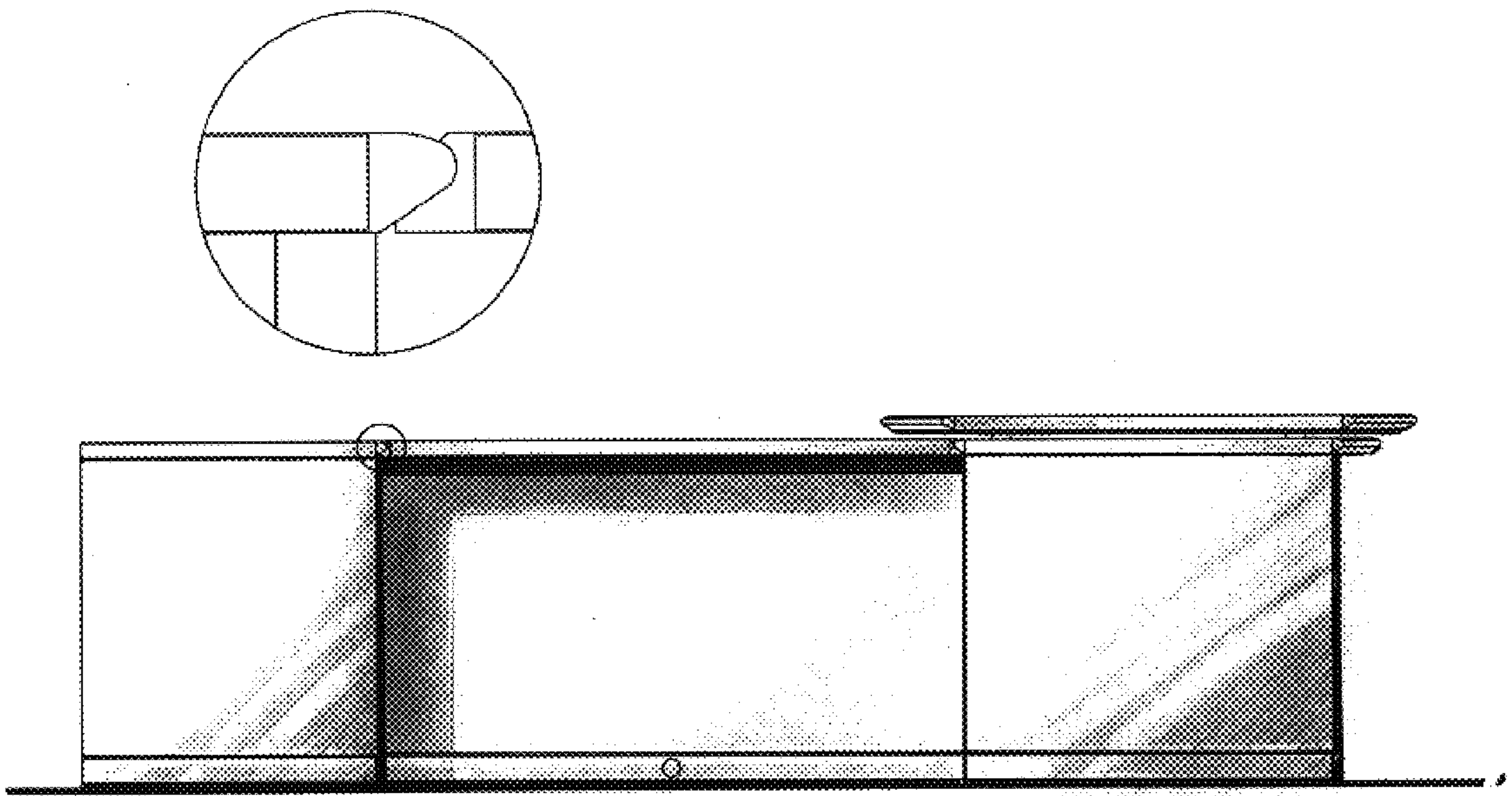


FIGURE 4

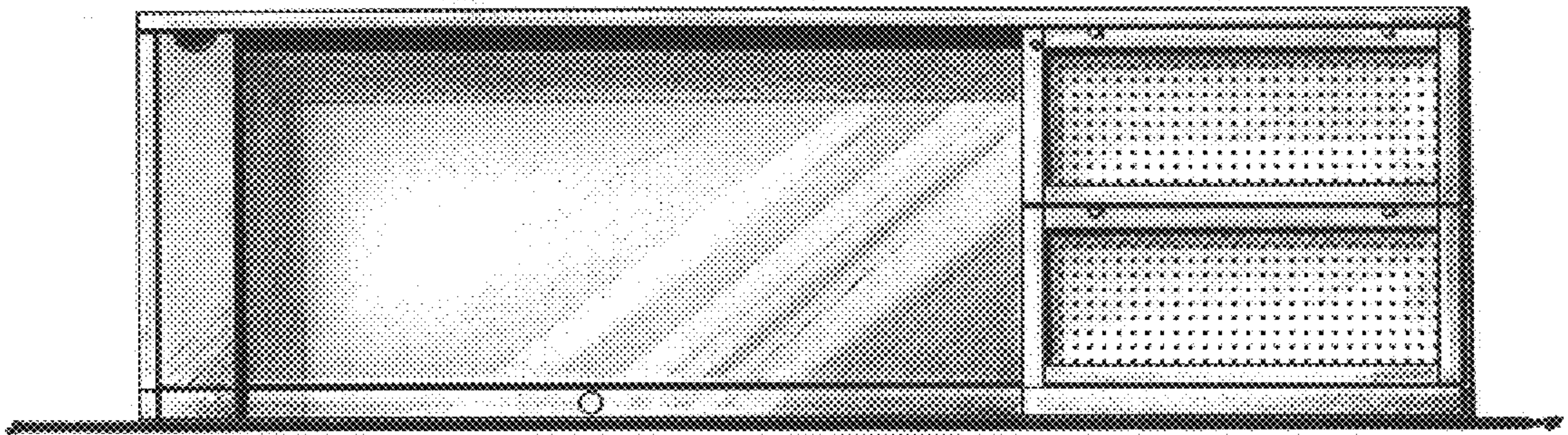


FIGURE 5

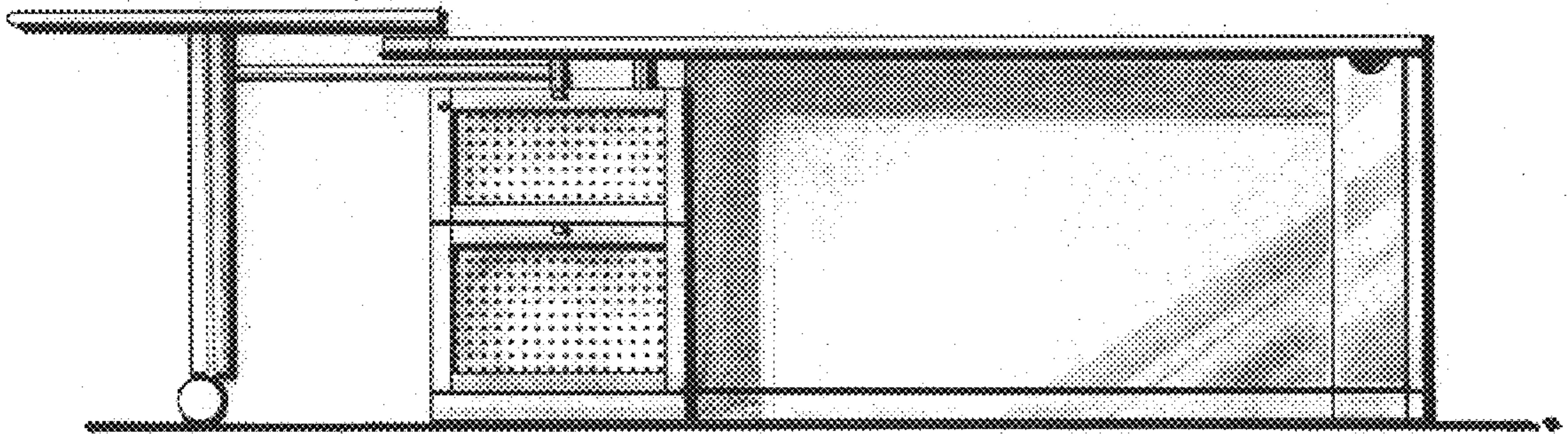


FIGURE 6