



US00D445271S

(12) **United States Design Patent**  
**Rehmert et al.**

(10) **Patent No.:** **US D445,271 S**

(45) **Date of Patent:** **\*\* Jul. 24, 2001**

(54) **CHAIR**

(76) Inventors: **Rory S. Rehmert; Timothy M. Le Roy; D. Mike Howell; Jackie Hogan; James Kemp**, all of P.O. Box 1357, Birmingham, AL (US) 35201

(\*\*) Term: **14 Years**

(21) Appl. No.: **29/126,120**

(22) Filed: **Jun. 29, 2000**

(51) **LOC (7) Cl.** ..... **06-01**

(52) **U.S. Cl.** ..... **D6/376; D6/344**

(58) **Field of Search** ..... D6/334, 344, 369, D6/376, 379, 380, 500, 501, 502; 297/265.1, 445.1

(56) **References Cited**

**U.S. PATENT DOCUMENTS**

- D. 272,020 \* 1/1984 Baty ..... D6/376
- D. 286,828 \* 11/1986 Arthur, jr. .... D6/376

- D. 335,586 \* 5/1993 Hess ..... D6/376
- D. 426,395 \* 6/2000 Lin ..... D6/376
- D. 434,920 \* 12/2000 Rehmert et al. .... D6/376

\* cited by examiner

*Primary Examiner*—Gary D. Watson

(57) **CLAIM**

The ornamental design for a chair, as shown and described.

**DESCRIPTION**

FIG. 1 is an isometric view of a chair showing our new design;

FIG. 2 is a front view thereof;

FIG. 3 is a back view thereof;

FIG. 4 is a side view thereof;

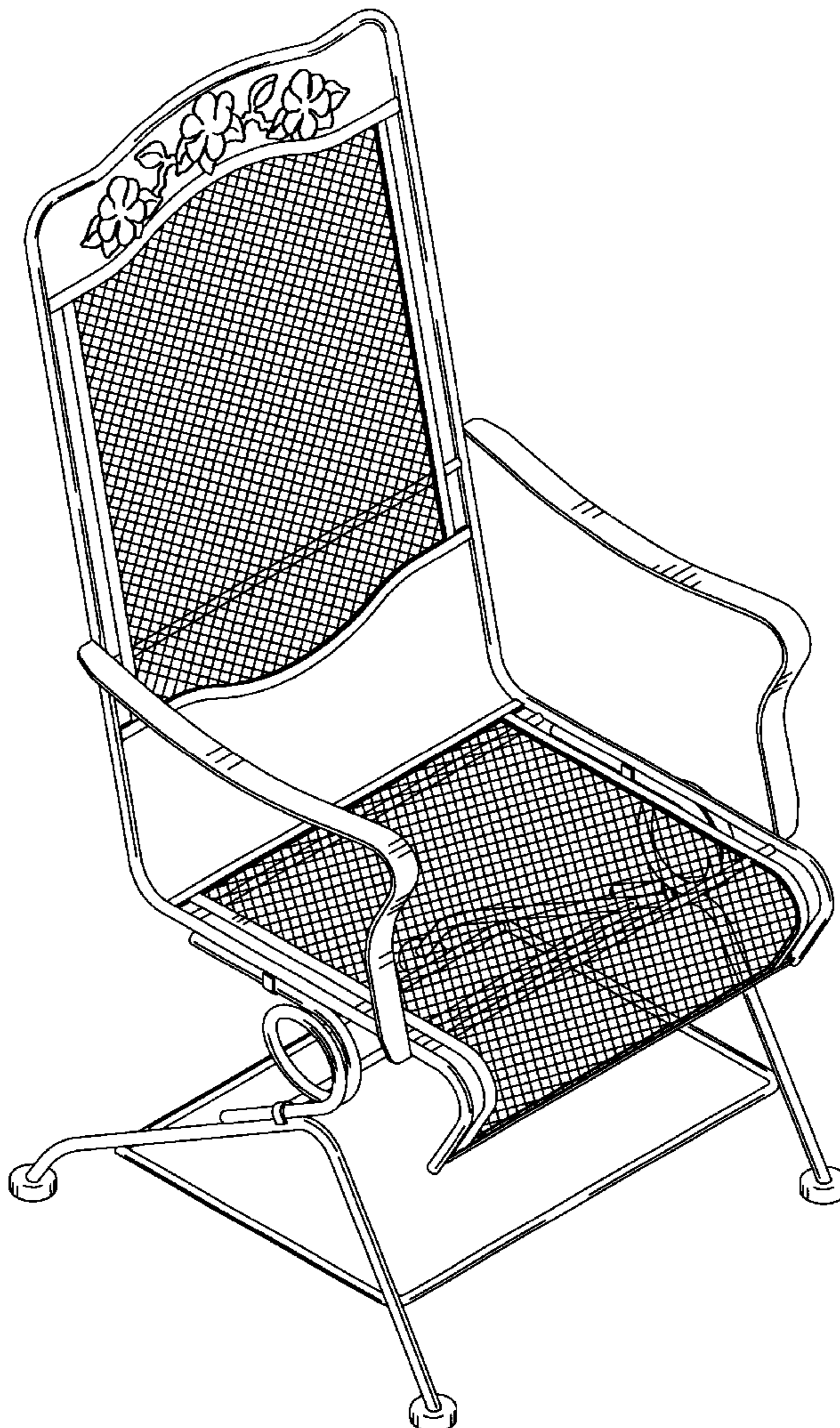
FIG. 5 is the opposite side view thereof;

FIG. 6 is a top view thereof; and,

FIG. 7 is a bottom view thereof.

The back view forms no part of the claimed design.

**1 Claim, 4 Drawing Sheets**



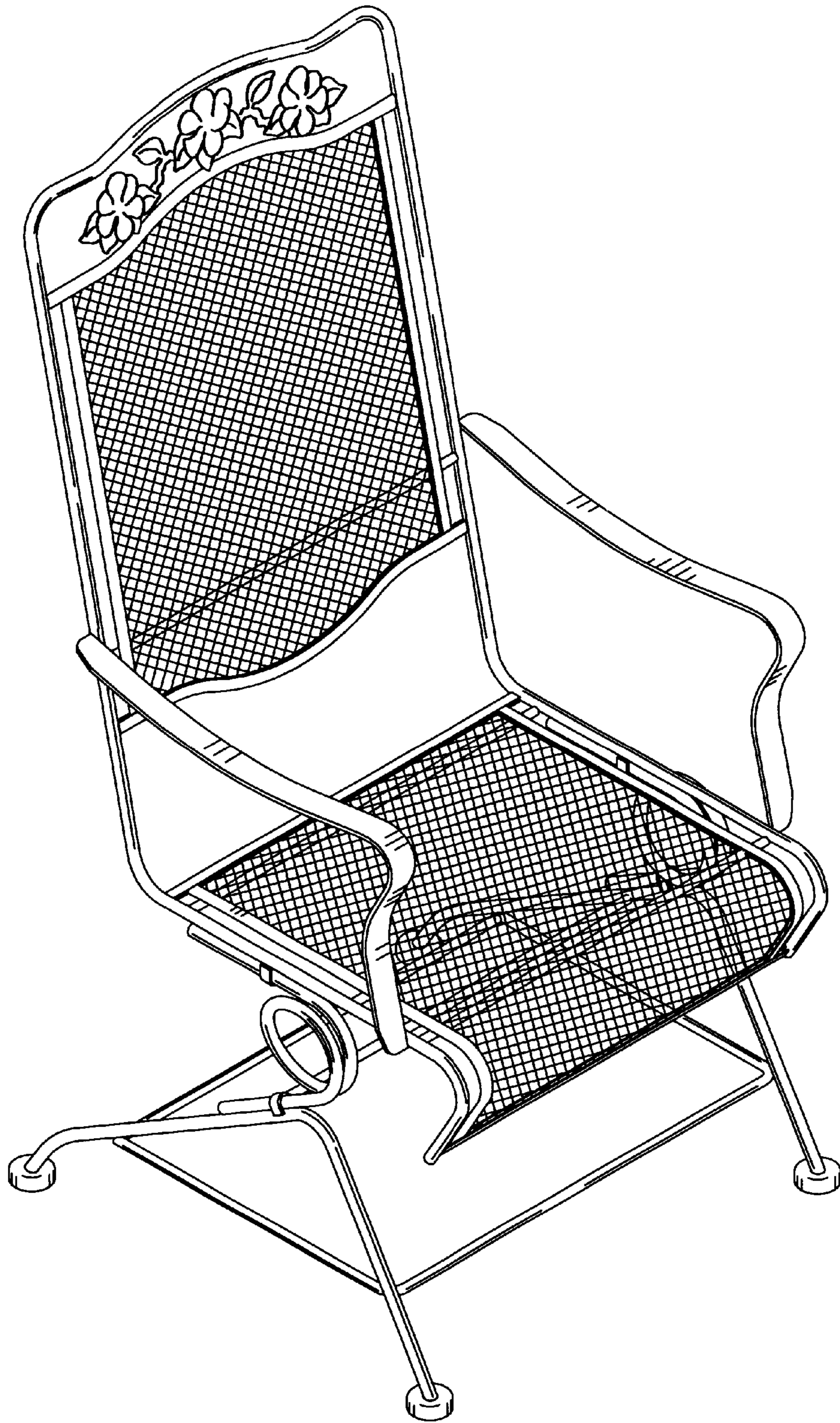


Fig. 1

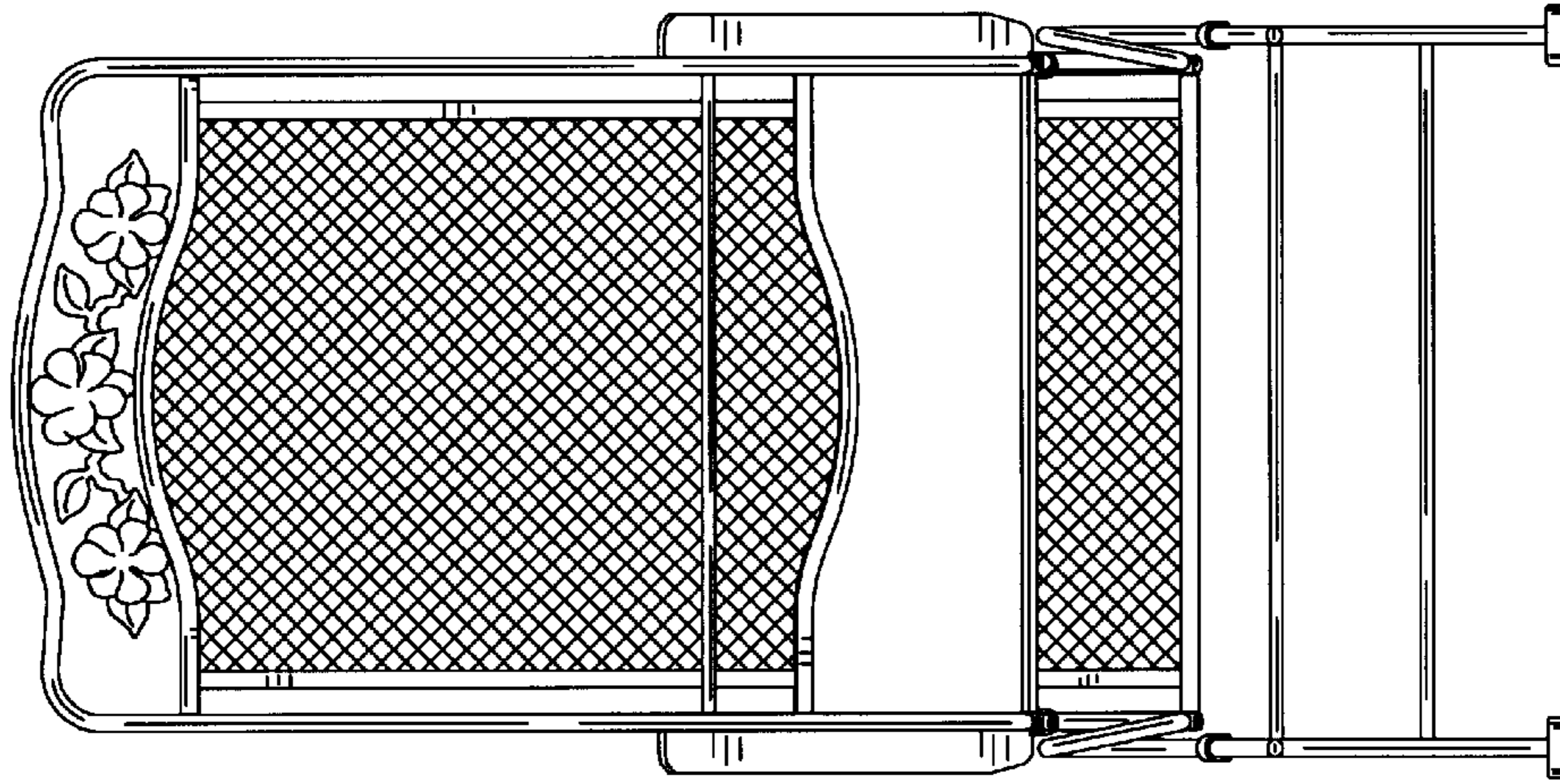


Figure 3

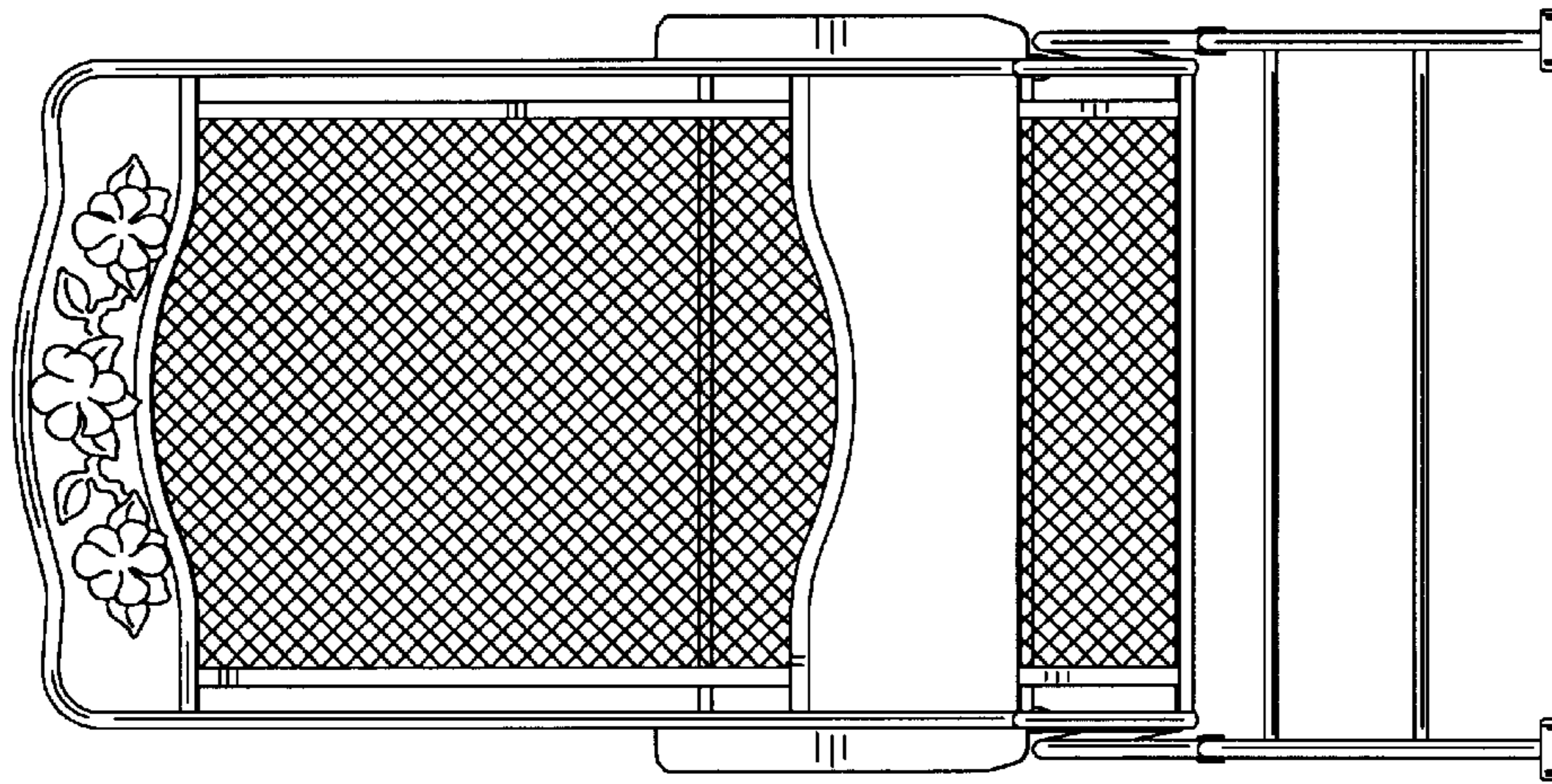


Figure 2

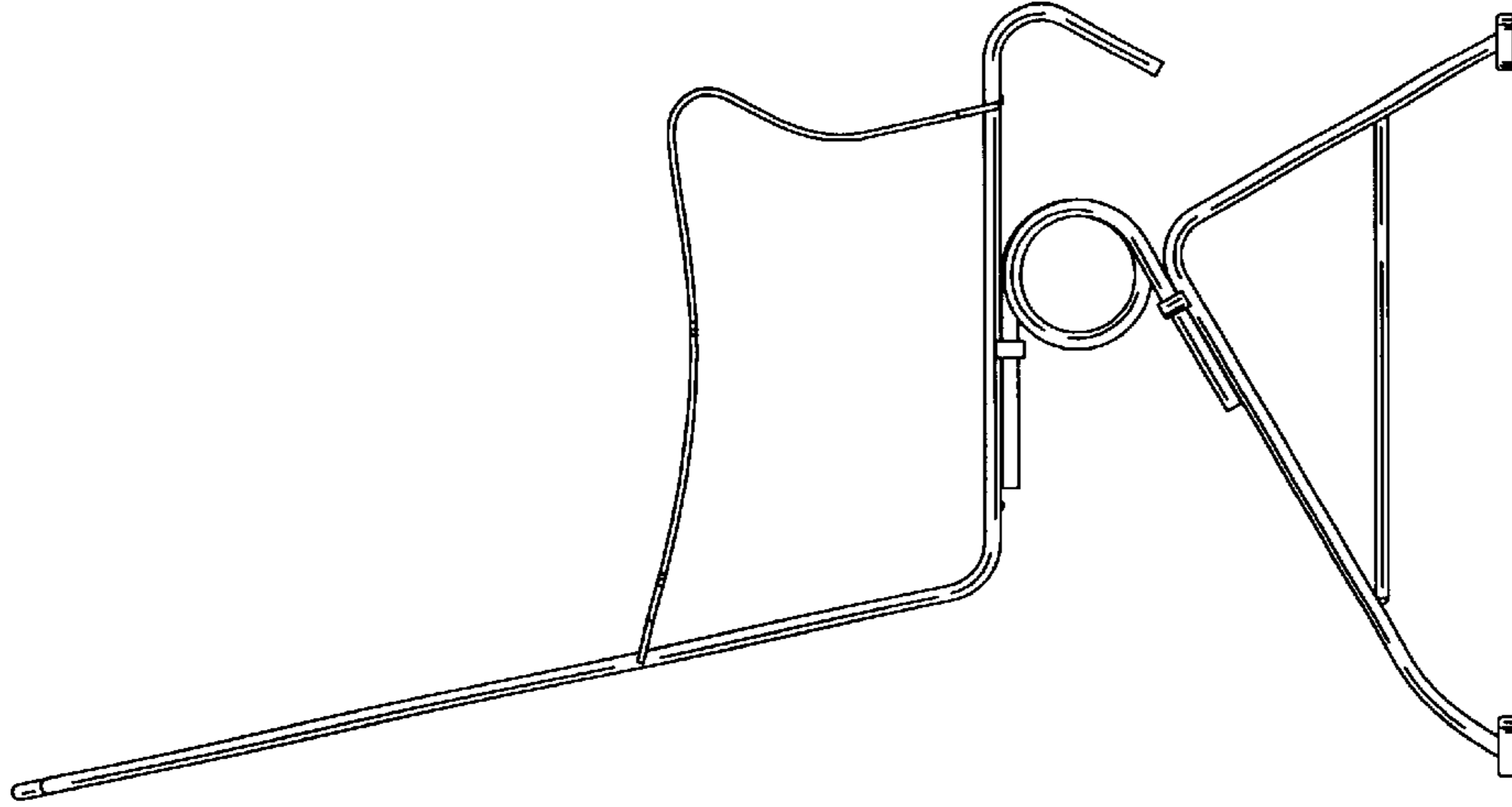


Figure 5

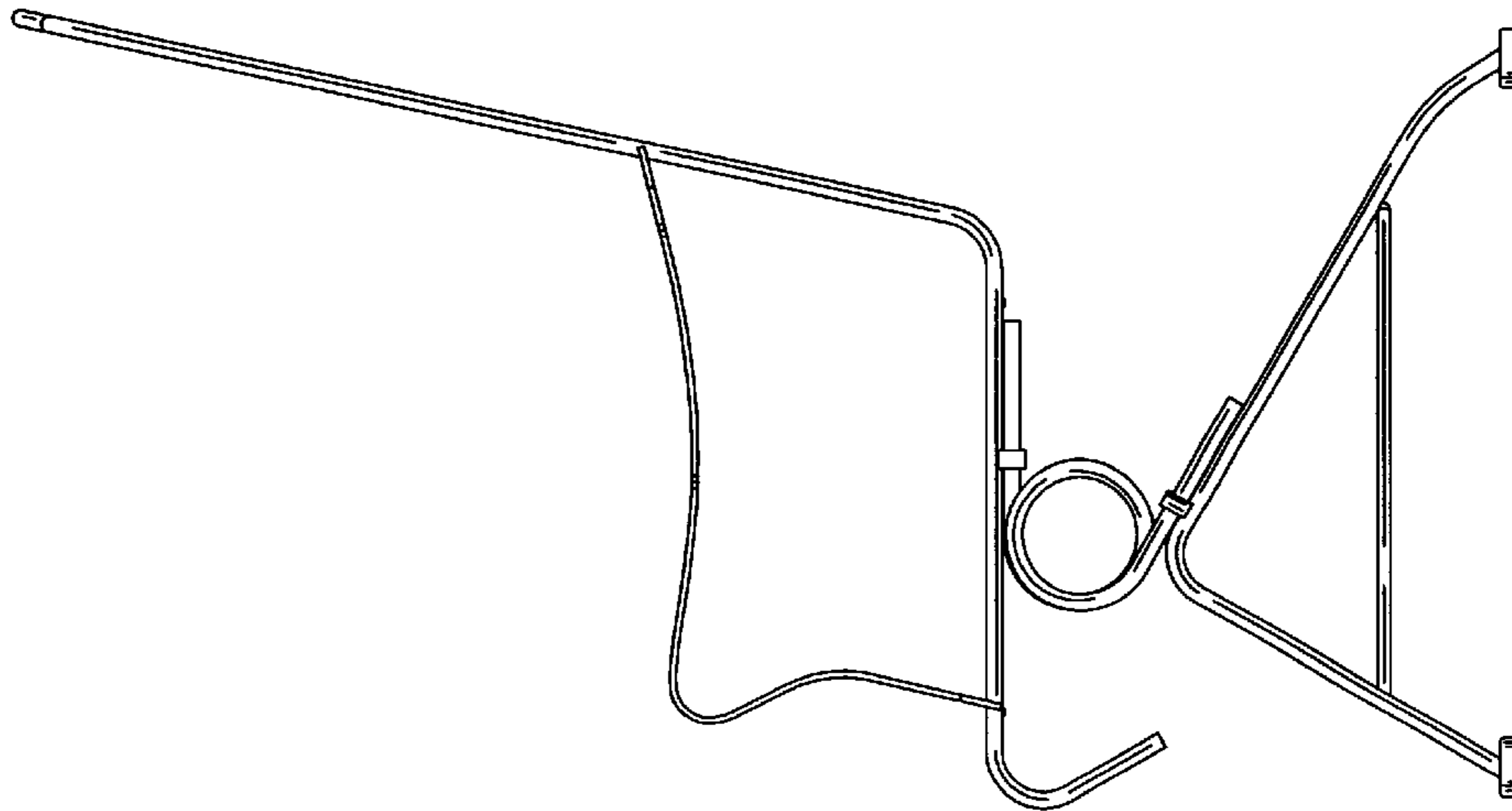


Figure 4

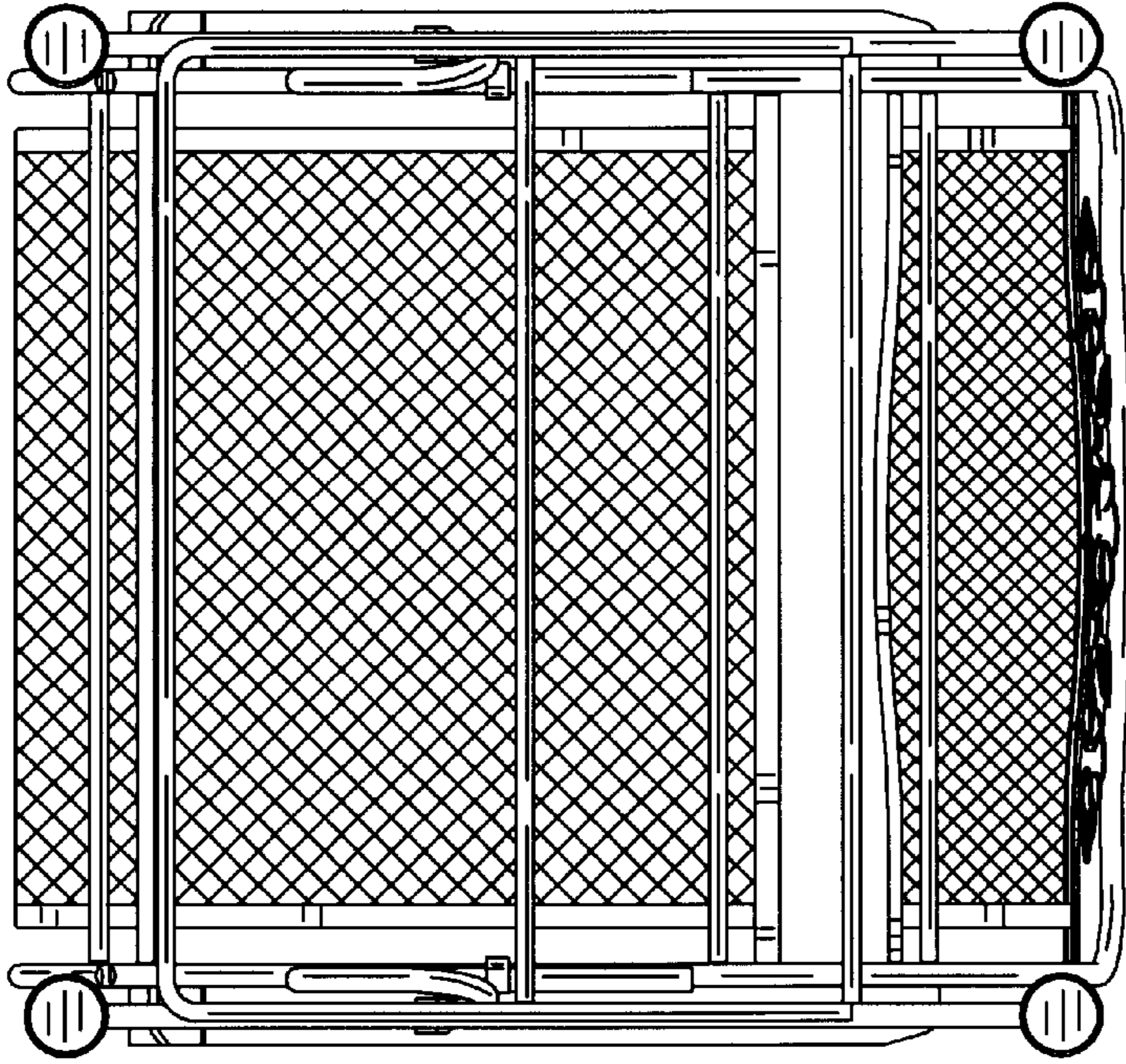


Fig. 7

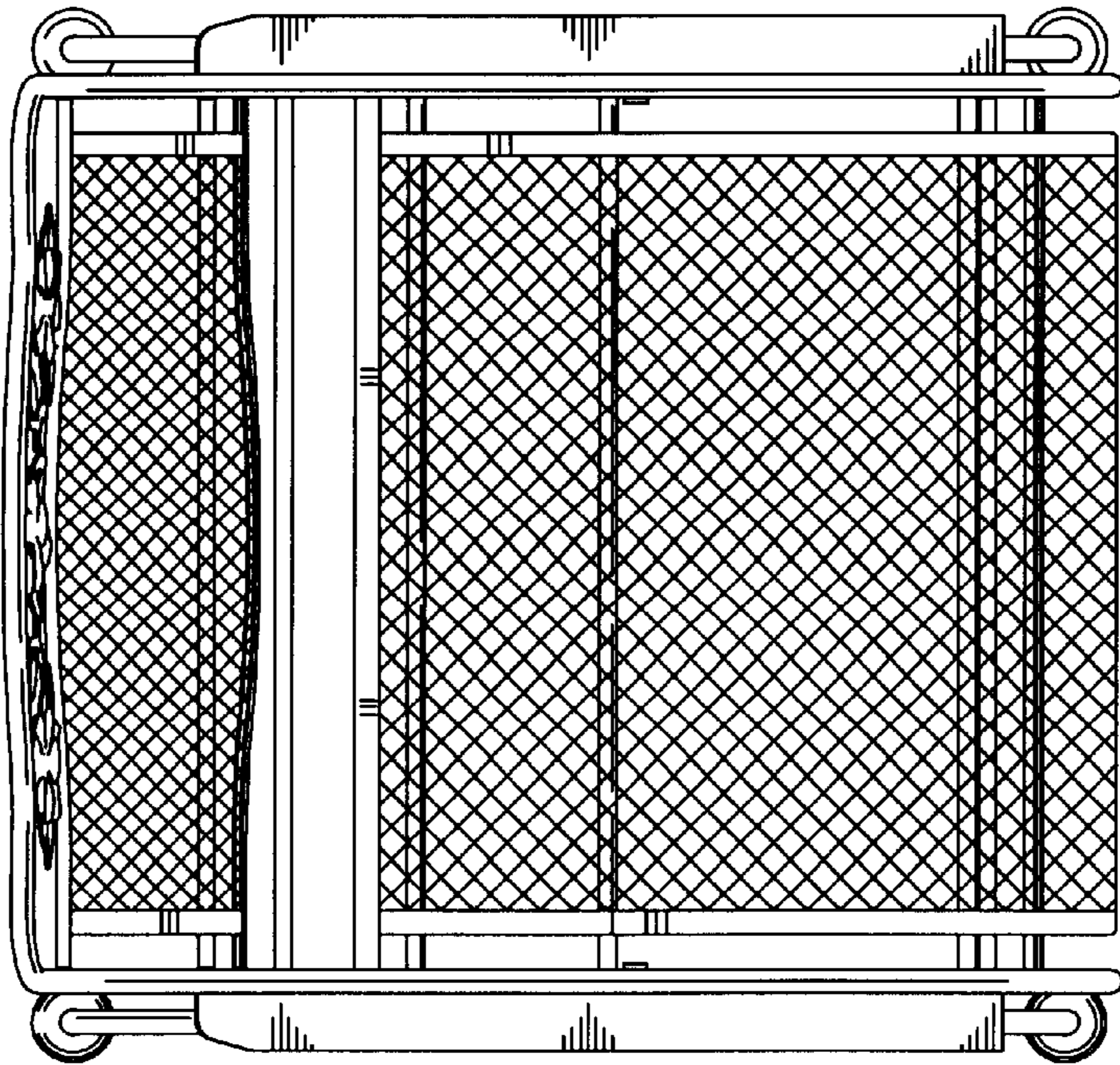


Fig. 6