



US00D445270S

(12) **United States Design Patent**  
**Rehmert et al.**

(10) **Patent No.:** **US D445,270 S**

(45) **Date of Patent:** **\*\* Jul. 24, 2001**

(54) **CHAIR**

(76) Inventors: **Rory S. Rehmert; James Kemp;**  
**Timothy M. Le Roy; D. Mike Howell;**  
**Jackie Hogan**, all of P.O. Box 1357,  
Birmingham, AL (US) 35201

(\*\*) Term: **14 Years**

(21) Appl. No.: **29/126,118**

(22) Filed: **Jun. 29, 2000**

(51) **LOC (7) Cl.** ..... **06-01**

(52) **U.S. Cl.** ..... **D6/376; D6/365**

(58) **Field of Search** ..... D6/334, 344, 364,  
D6/365, 369, 376, 379, 380, 500, 501,  
502; 297/263.1, 445.1

(56) **References Cited**

**U.S. PATENT DOCUMENTS**

D. 269,740 \* 7/1983 Wallace ..... D6/376

D. 286,828 \* 11/1986 Arthur, Jr. .... D6/376

D. 415,363 \* 10/1999 Rehmert et al. .... D6/376

D. 417,796 \* 12/1999 Rehmert et al. .... D6/376

D. 434,920 \* 12/2000 Rehmert et al. .... D6/376

\* cited by examiner

*Primary Examiner*—Gary D. Watson

(57) **CLAIM**

The ornamental design for a chair, as shown and described.

**DESCRIPTION**

FIG. 1 is an isometric view of a chair showing our new design;

FIG. 2. is a front view thereof;

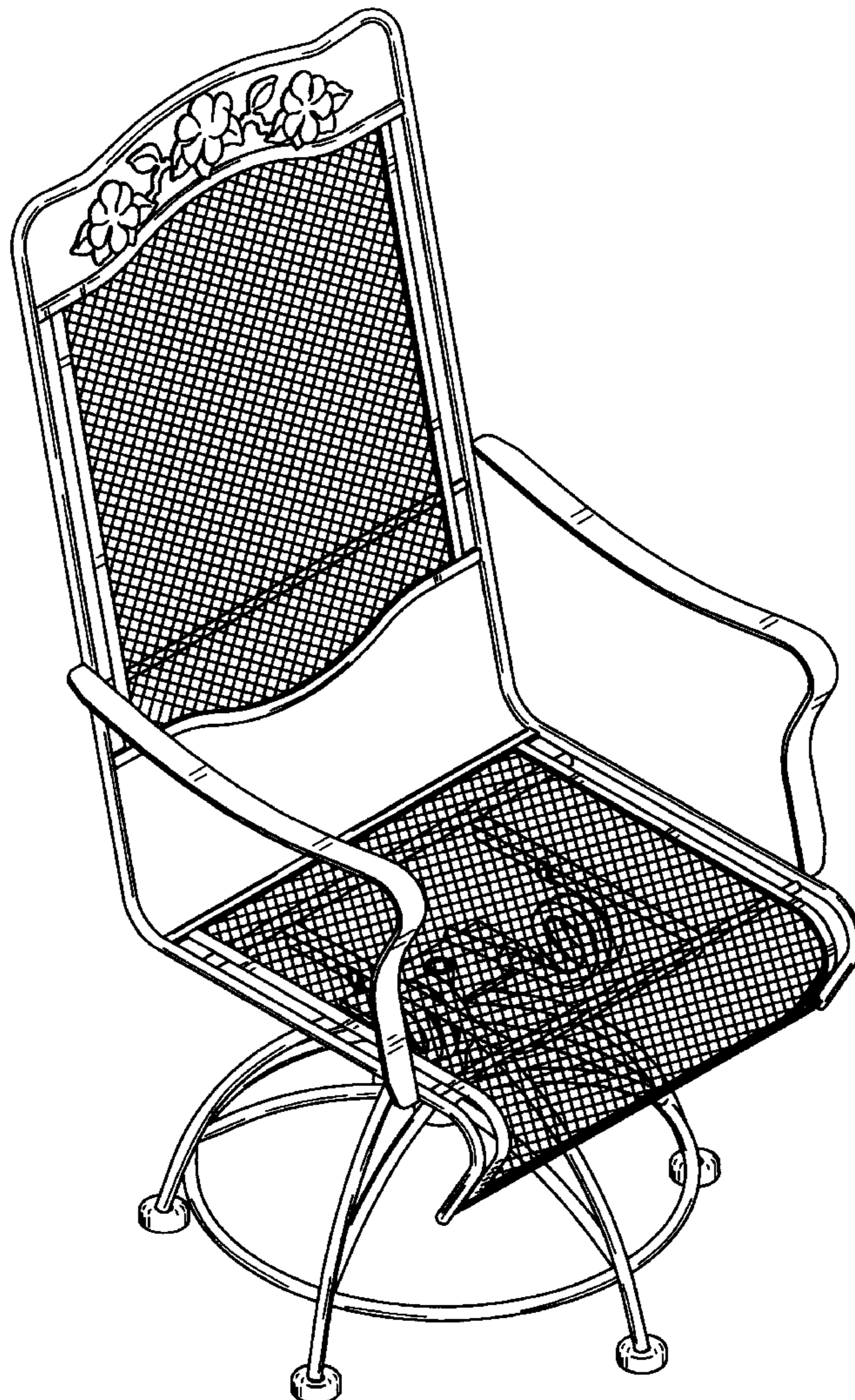
FIG. 3 is a side view thereof;

FIG. 4 is the opposite side view thereof; and,

FIG. 5 is a top view thereof.

The back and bottom view represent no part of the claimed design.

**1 Claim, 4 Drawing Sheets**



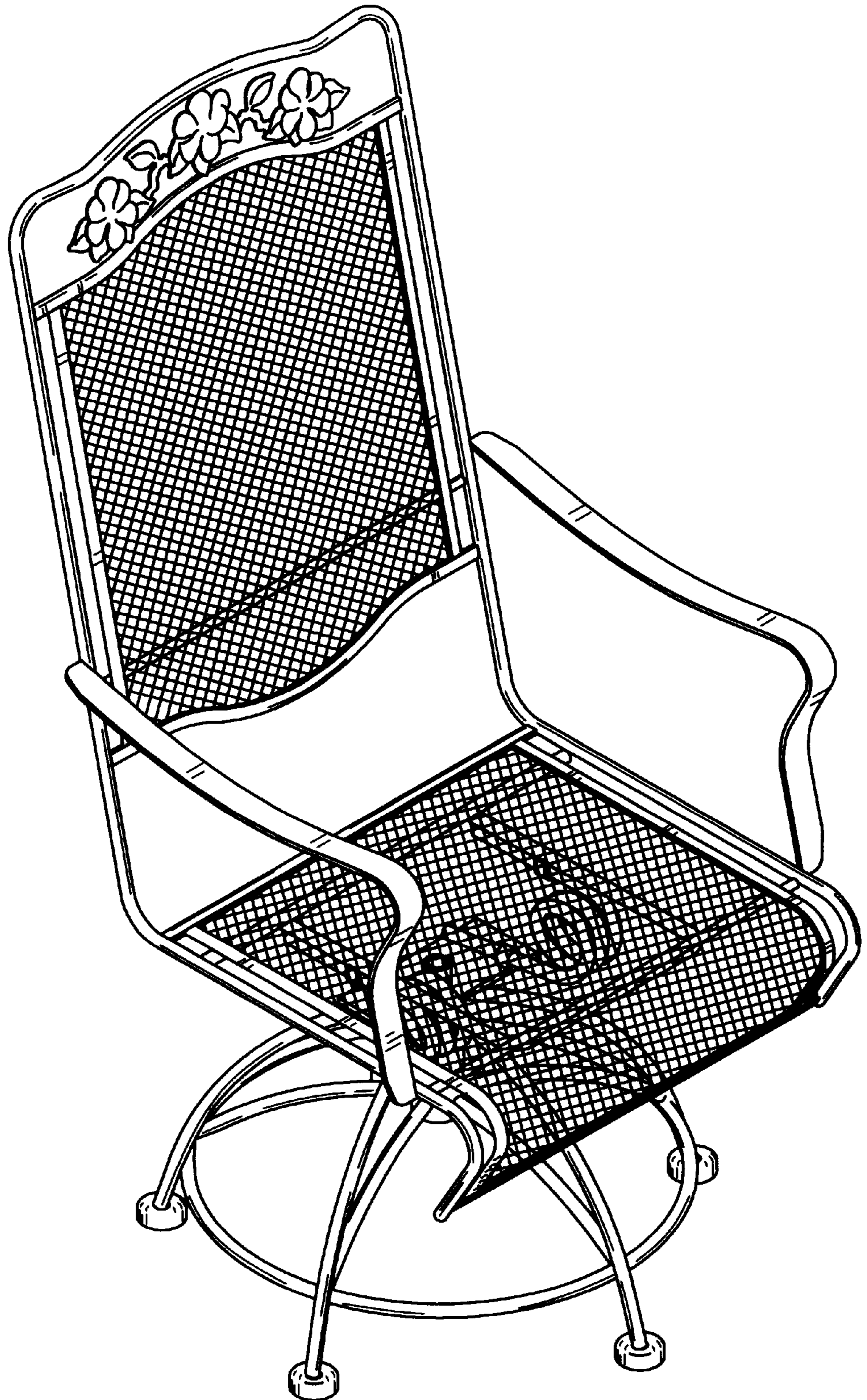


Fig. 1

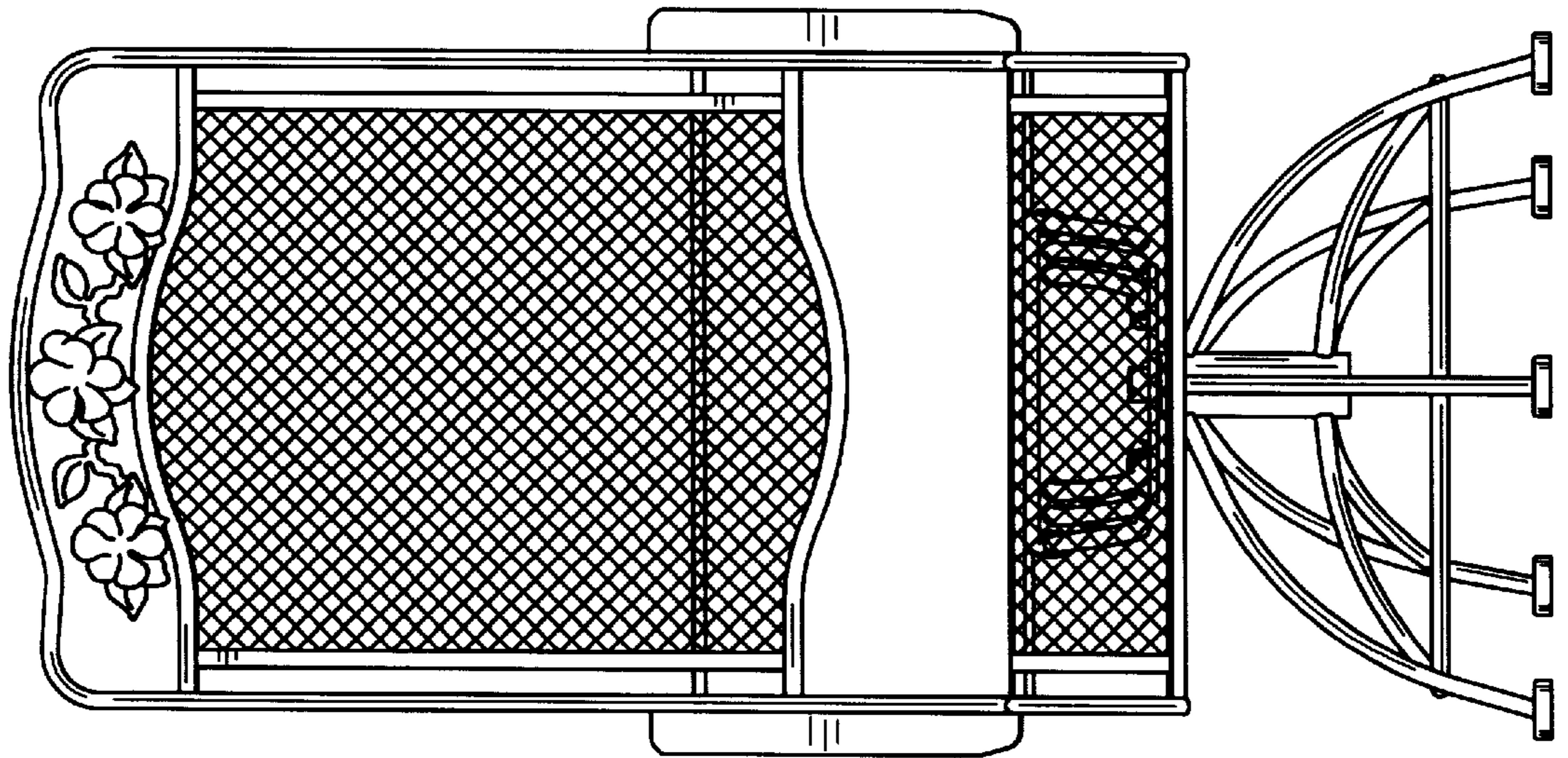


Fig. 2

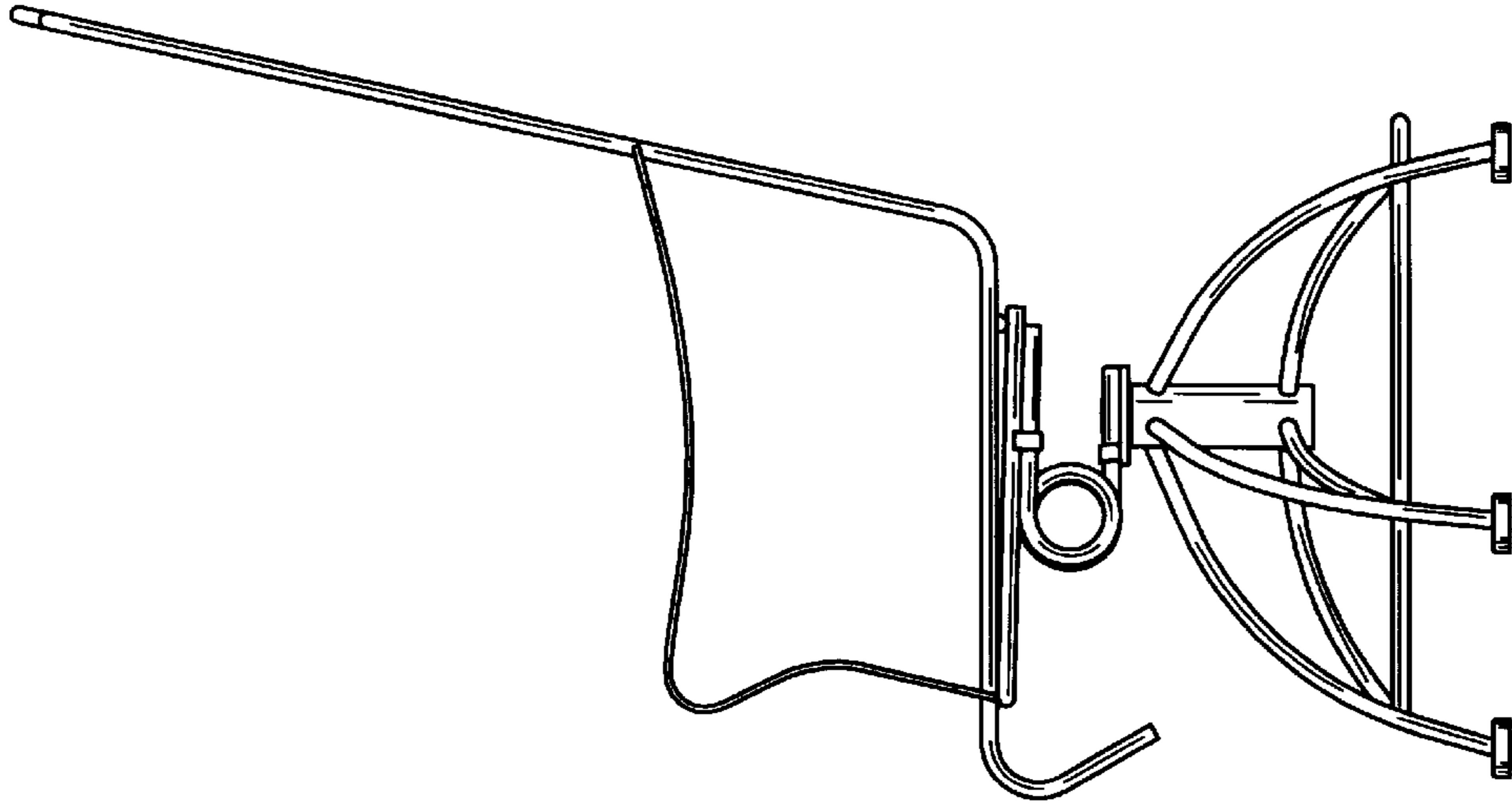


Fig. 4

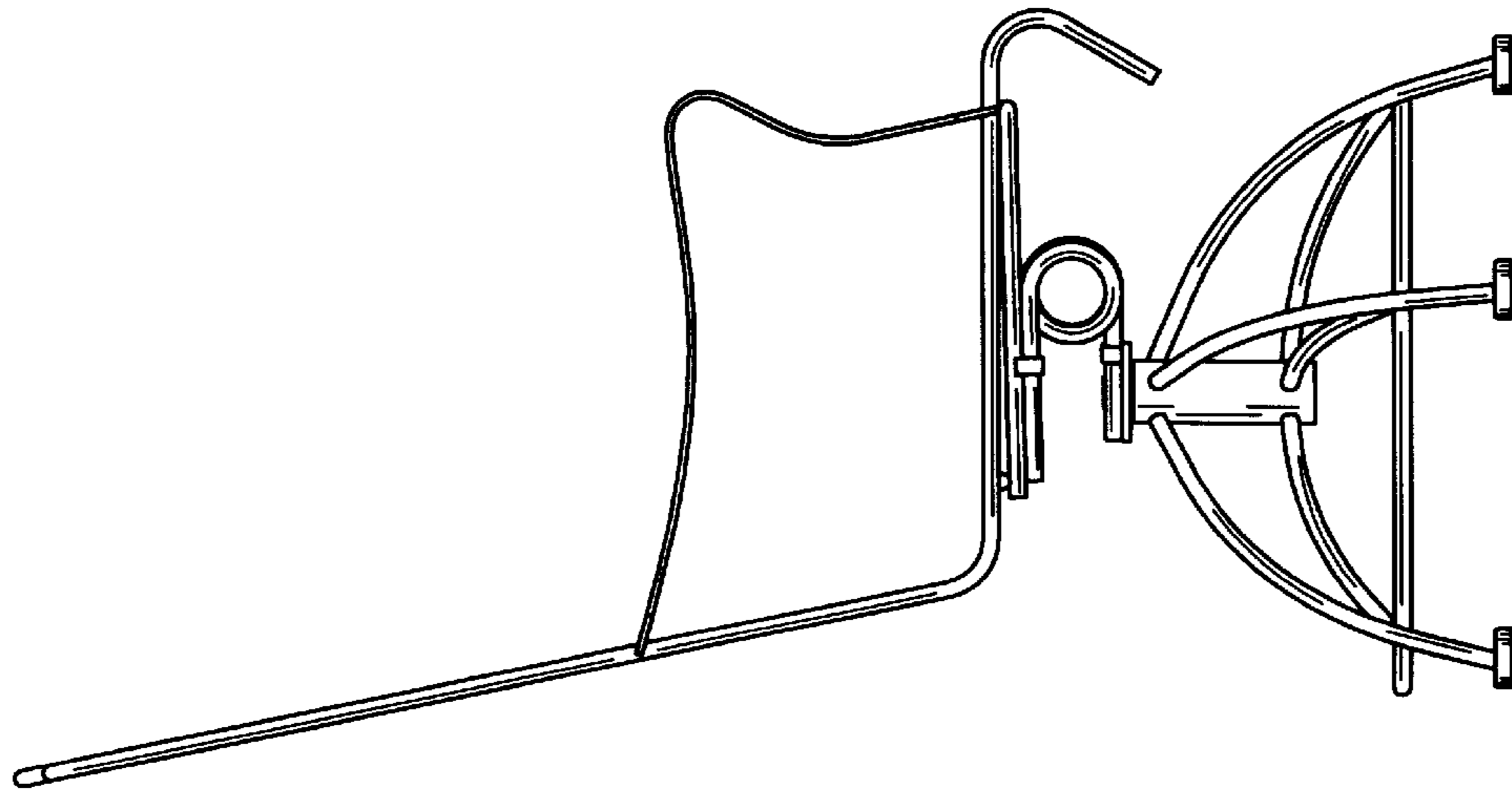


Fig. 3

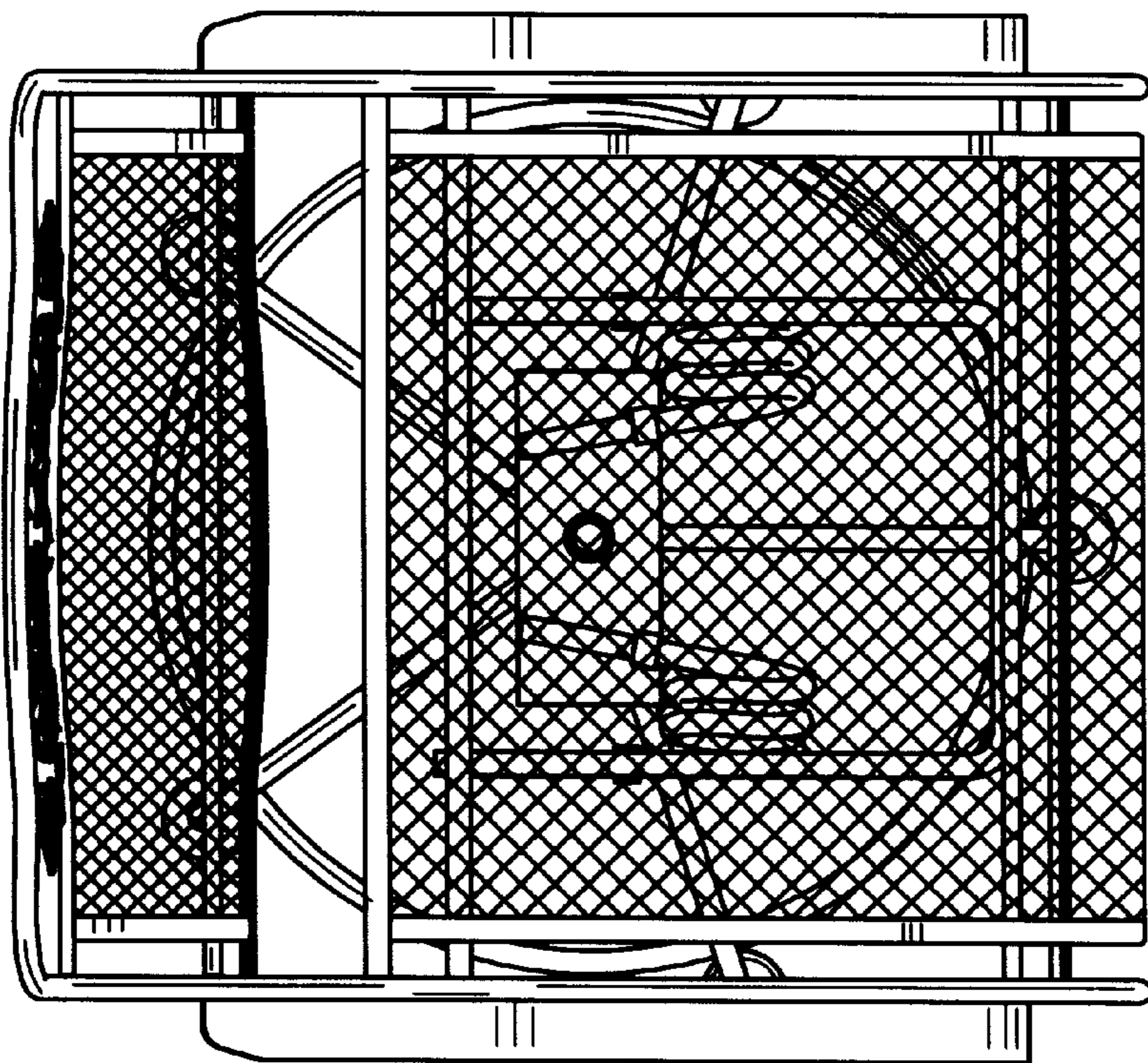


Fig. 5