



US00D445269S

(12) **United States Design Patent**
Mitjans

(10) **Patent No.:** **US D445,269 S**

(45) **Date of Patent:** **** Jul. 24, 2001**

(54) **ARMCHAIRS SEATING UNIT**

(75) **Inventor:** **José Figueras Mitjans**, Llica d'Amunt (ES)

(73) **Assignee:** **Figueras International Seating, S.A.**, Llica D'Amunt (ES)

(**) **Term:** **14 Years**

(21) **Appl. No.:** **29/113,289**

(22) **Filed:** **Nov. 3, 1999**

(30) **Foreign Application Priority Data**

May 3, 1999 (ES) 145386

(51) **LOC (7) Cl.** **06-01**

(52) **U.S. Cl.** **D6/368**

(58) **Field of Search** D6/334, 335, 356, D6/367, 368, 381, 500-502; 297/188.14, 217.3, 232, 335, 411.45

(56) **References Cited**

U.S. PATENT DOCUMENTS

D. 83,720	*	3/1931	Cleaveland	D6/356
D. 127,888	*	6/1941	Gedris	D6/502
D. 198,498	*	6/1964	Malitte	D6/356
D. 252,482	*	7/1979	Blodee	D6/365
D. 352,400	*	11/1994	Yamazaki et al.	D6/334
D. 391,088	*	2/1998	Sacco et al.	D6/356
D. 391,410	*	3/1998	Tomforde et al.	D6/356
D. 396,967	*	8/1998	Yamazaki	D6/381
D. 423,836	*	5/2000	Bergin	D6/501
D. 428,276	*	7/2000	Mitjans	D6/356
2,365,570	*	12/1944	Lee	297/342
3,287,060	*	11/1966	Thompson	297/342
5,320,406	*	6/1994	North	297/188.14
5,375,914	*	12/1994	Donnelly	297/335

5,700,052 * 12/1997 Yamazaki et al. 297/217.3
5,829,836 * 11/1998 Schumacher et al. 297/335

* cited by examiner

Primary Examiner—Doris V. Coles

Assistant Examiner—Mimosa De

(74) *Attorney, Agent, or Firm*—Nath & Associates PLLC; Gary M. Nath; Marvin C. Berkowitz

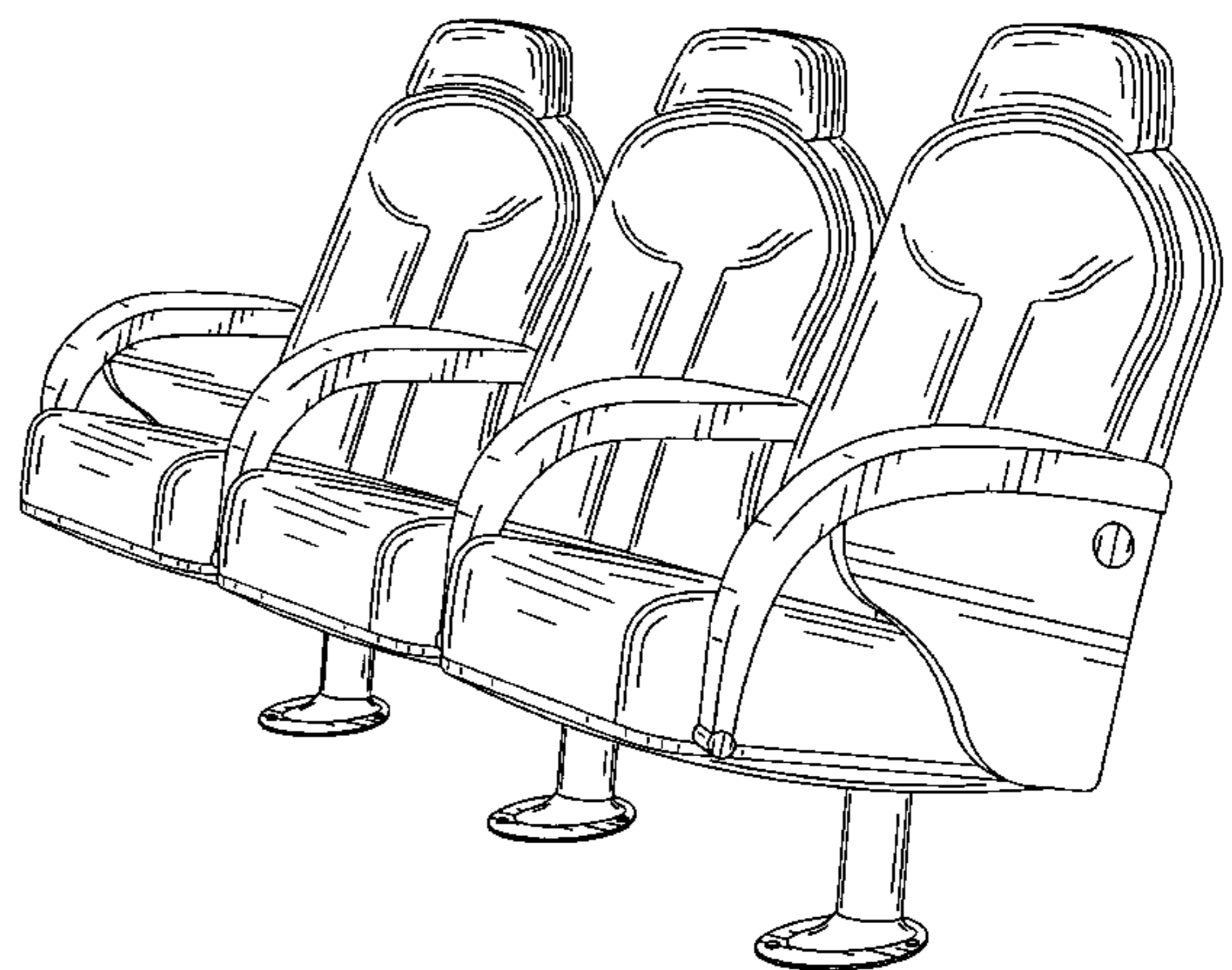
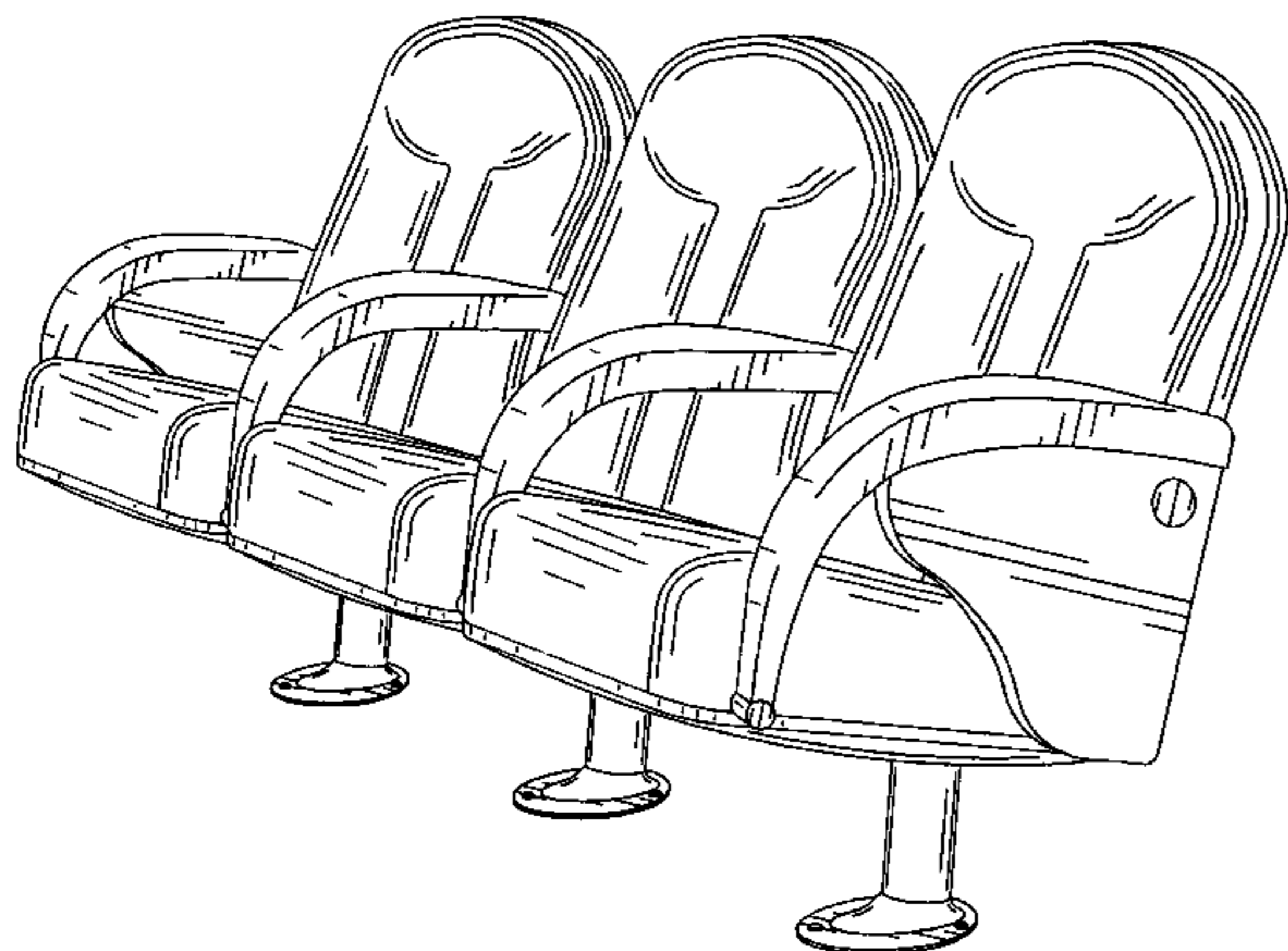
(57) **CLAIM**

The ornamental design for an armchairs seating unit, as shown and described.

DESCRIPTION

FIG. 1 is a front view of a first embodiment of an armchairs seating unit;
 FIG. 2 is a left side view of the armchairs seating unit of FIG. 1;
 FIG. 3 is a right side view of the armchairs seating unit of FIG. 1;
 FIG. 4 is a back view of the armchairs seating unit of FIG. 1;
 FIG. 5 is a top view of the armchairs seating unit of FIG. 1;
 FIG. 6 is a bottom view of the armchairs seating unit of FIG. 1;
 FIG. 7 is an enlarged front perspective view of the armchairs seating unit of FIG. 1;
 FIG. 8 is an enlarged back perspective view of the armchairs seating unit of FIG. 1;
 FIG. 9 is a front perspective view showing a second embodiment of the armchairs seating unit of FIG. 7 with a headrest; and,
 FIG. 10 is a back perspective view showing a second embodiment of the armchairs seating unit of FIG. 8 with a headrest.

1 Claim, 6 Drawing Sheets



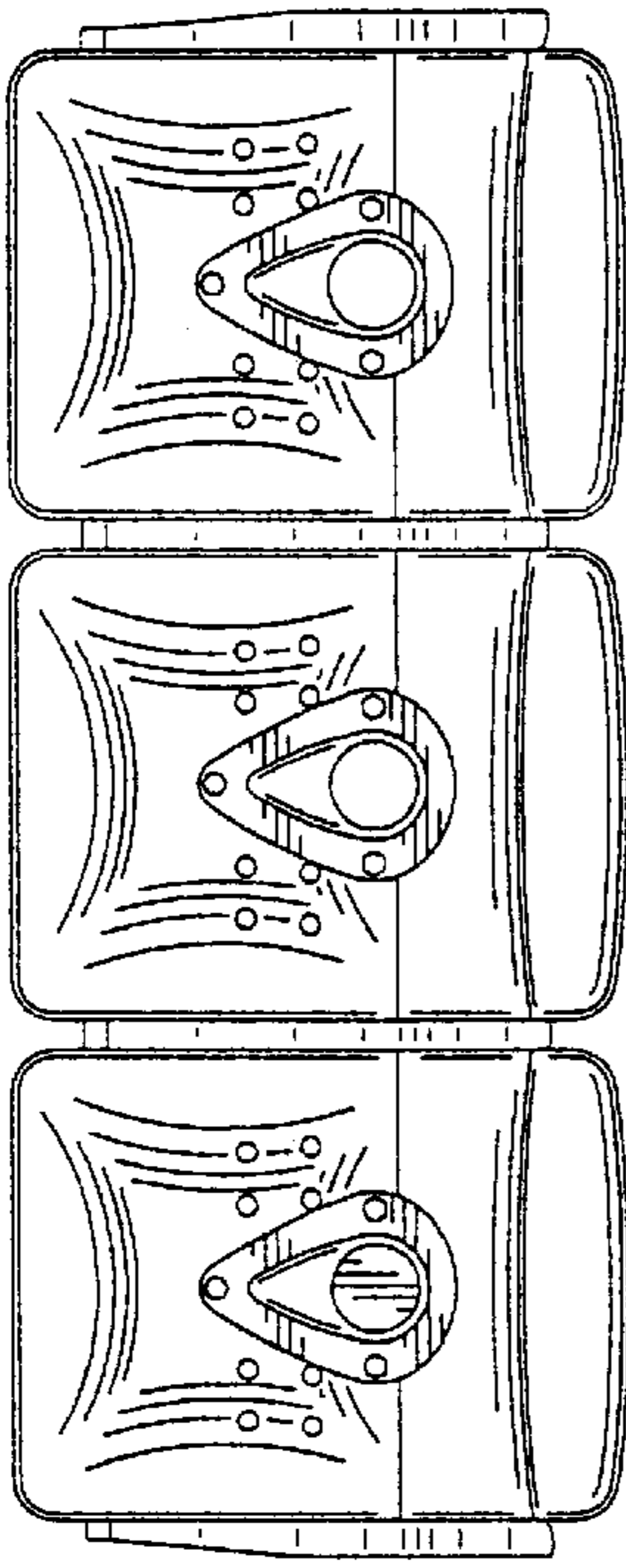


FIG. 6

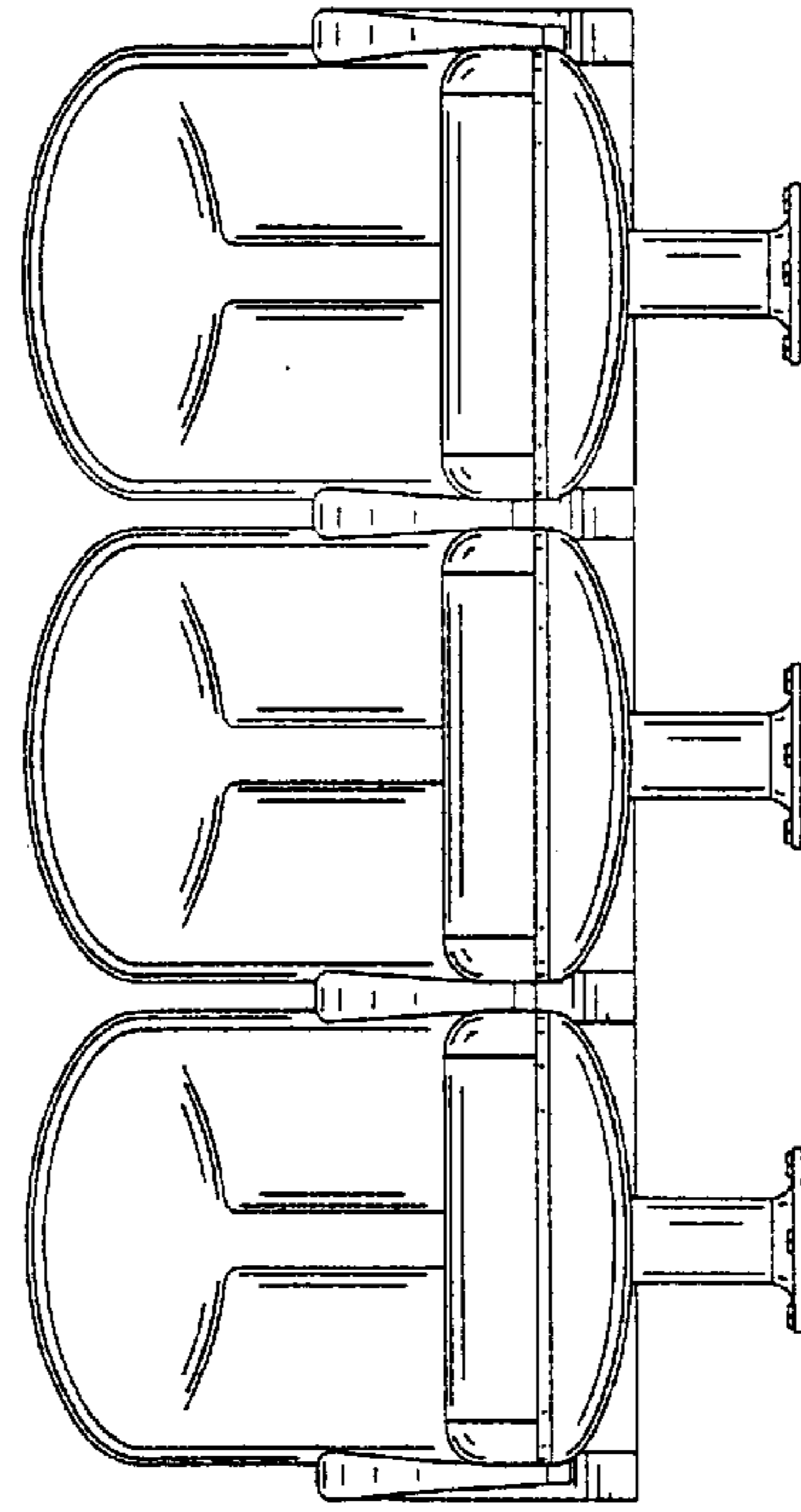


FIG. 1

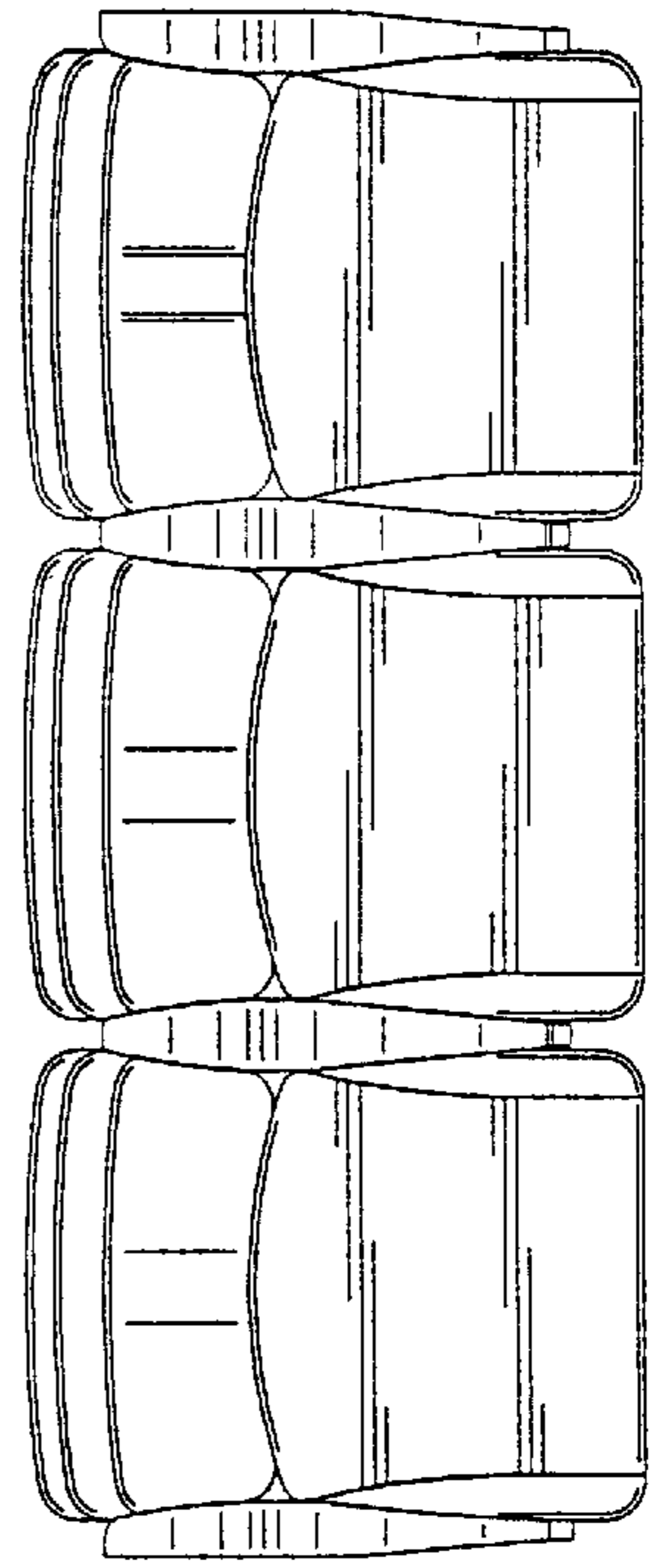


FIG. 5

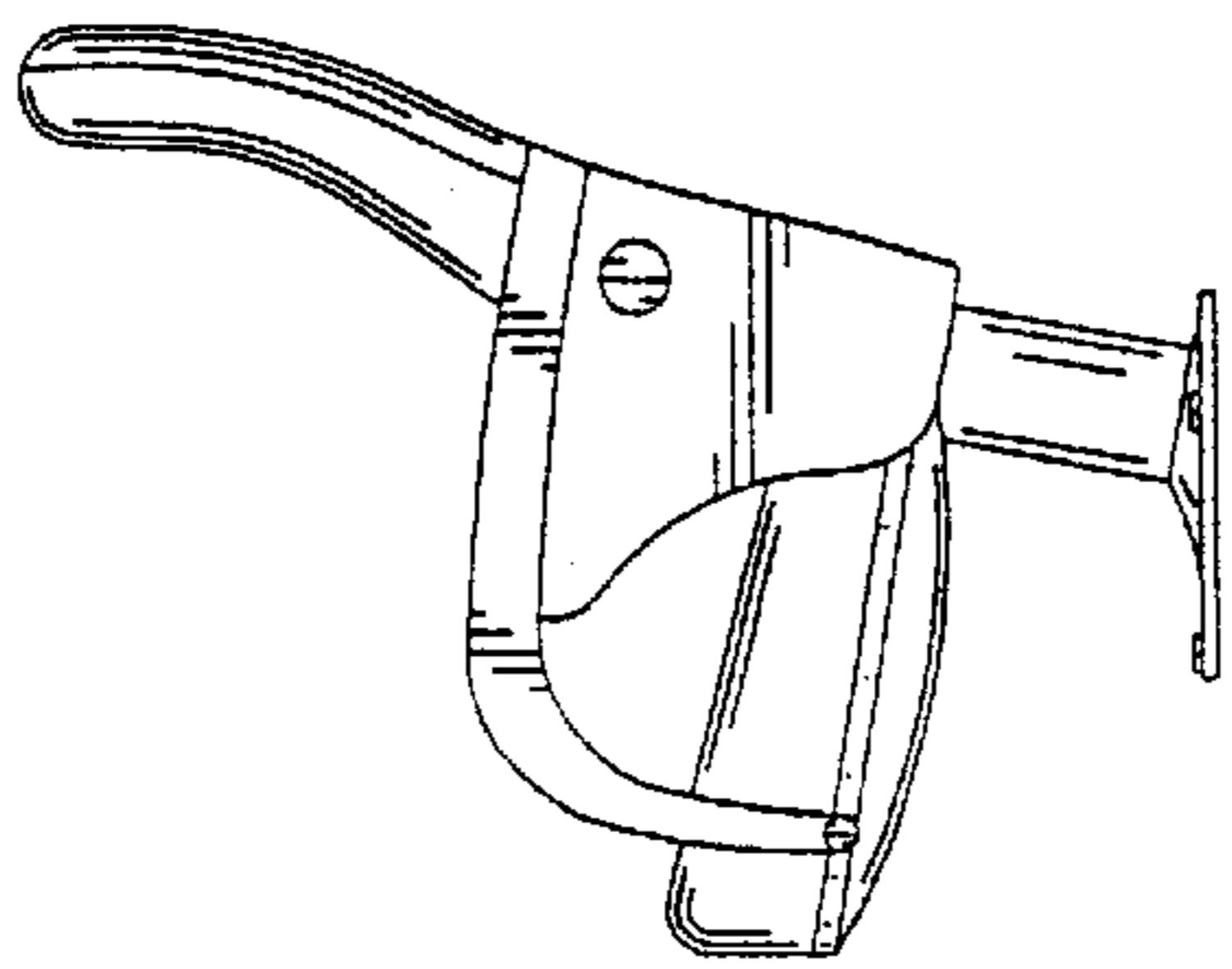


FIG. 3

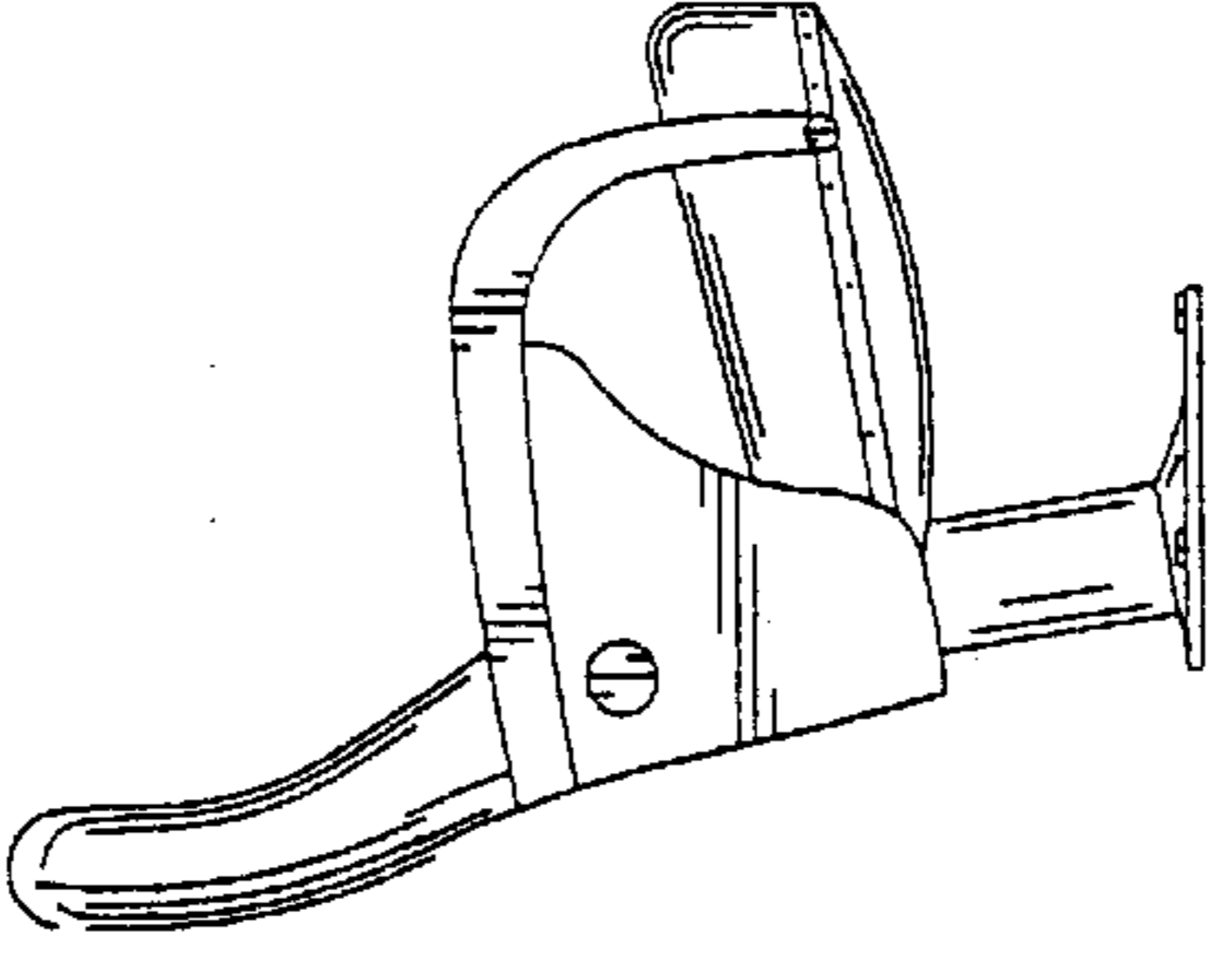


FIG. 2

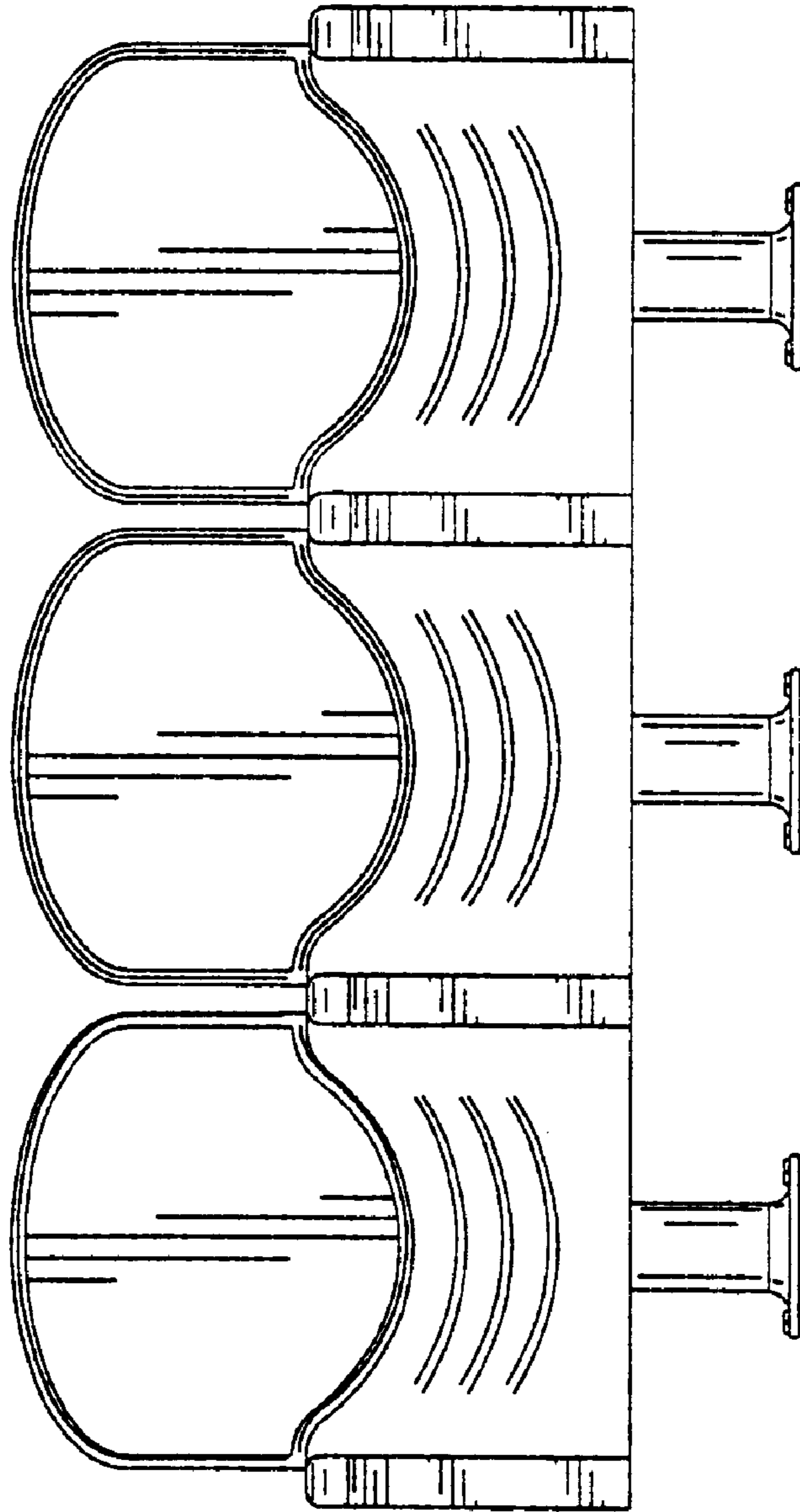


FIG. 4

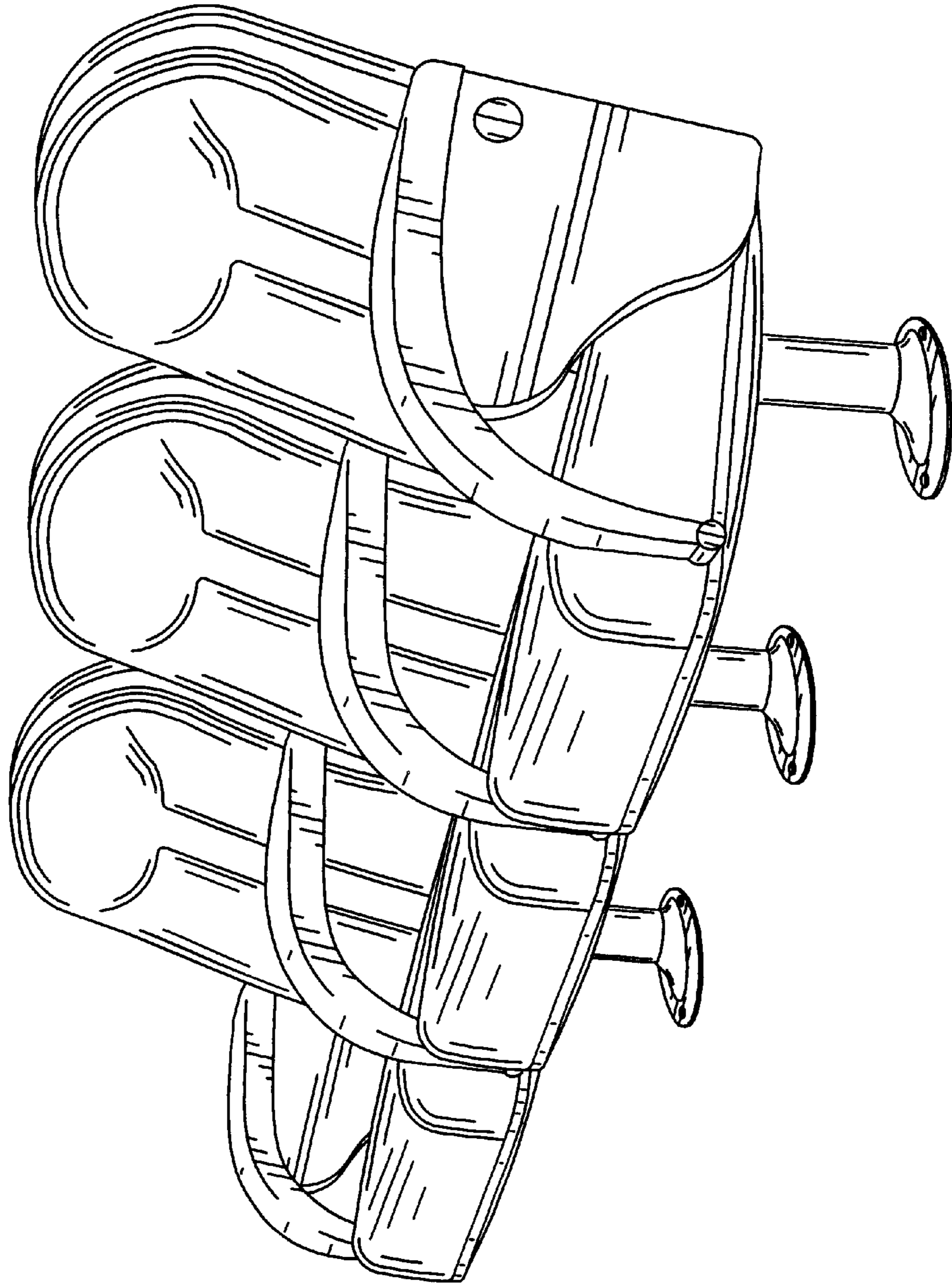


FIG. 7

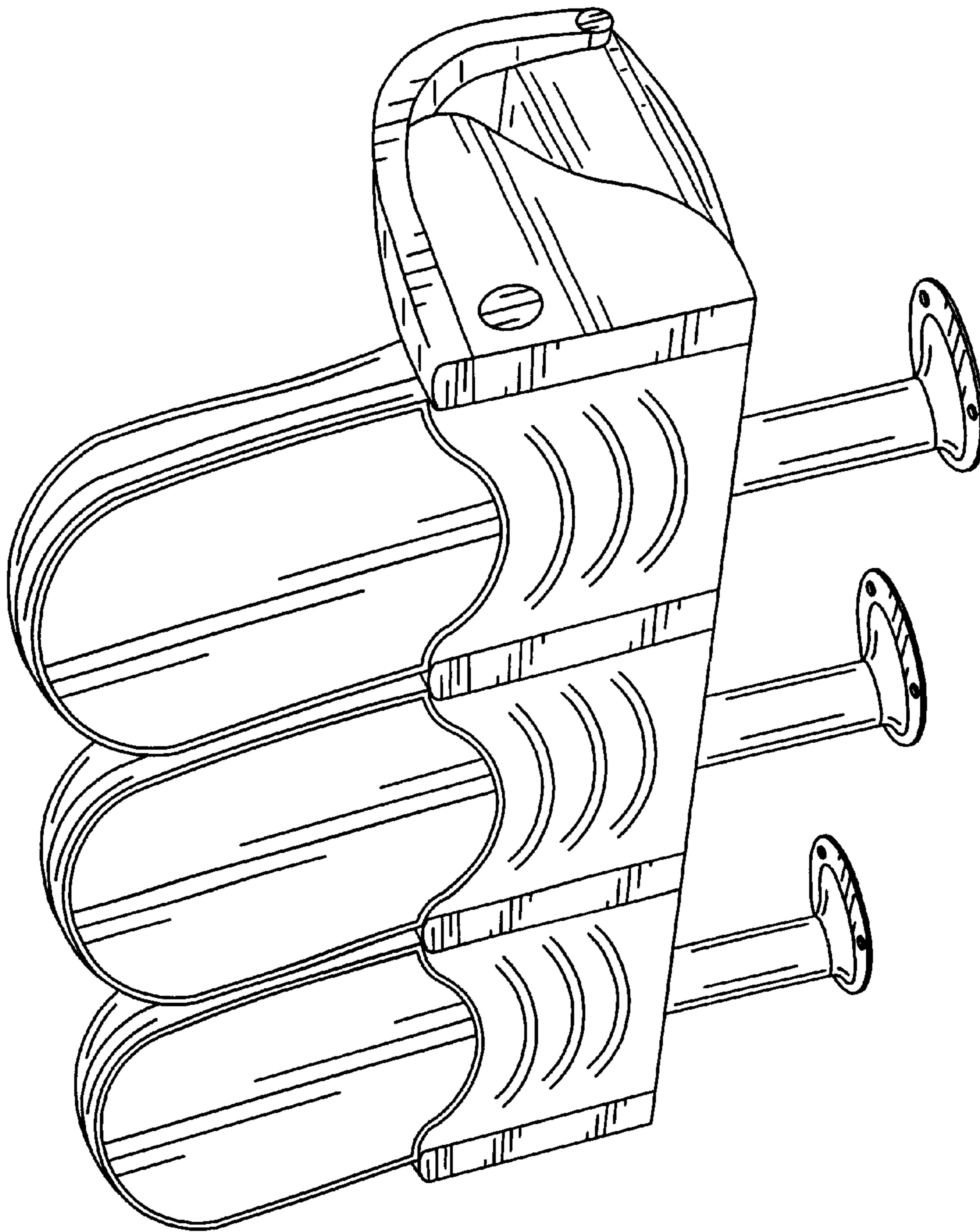


FIG. 8

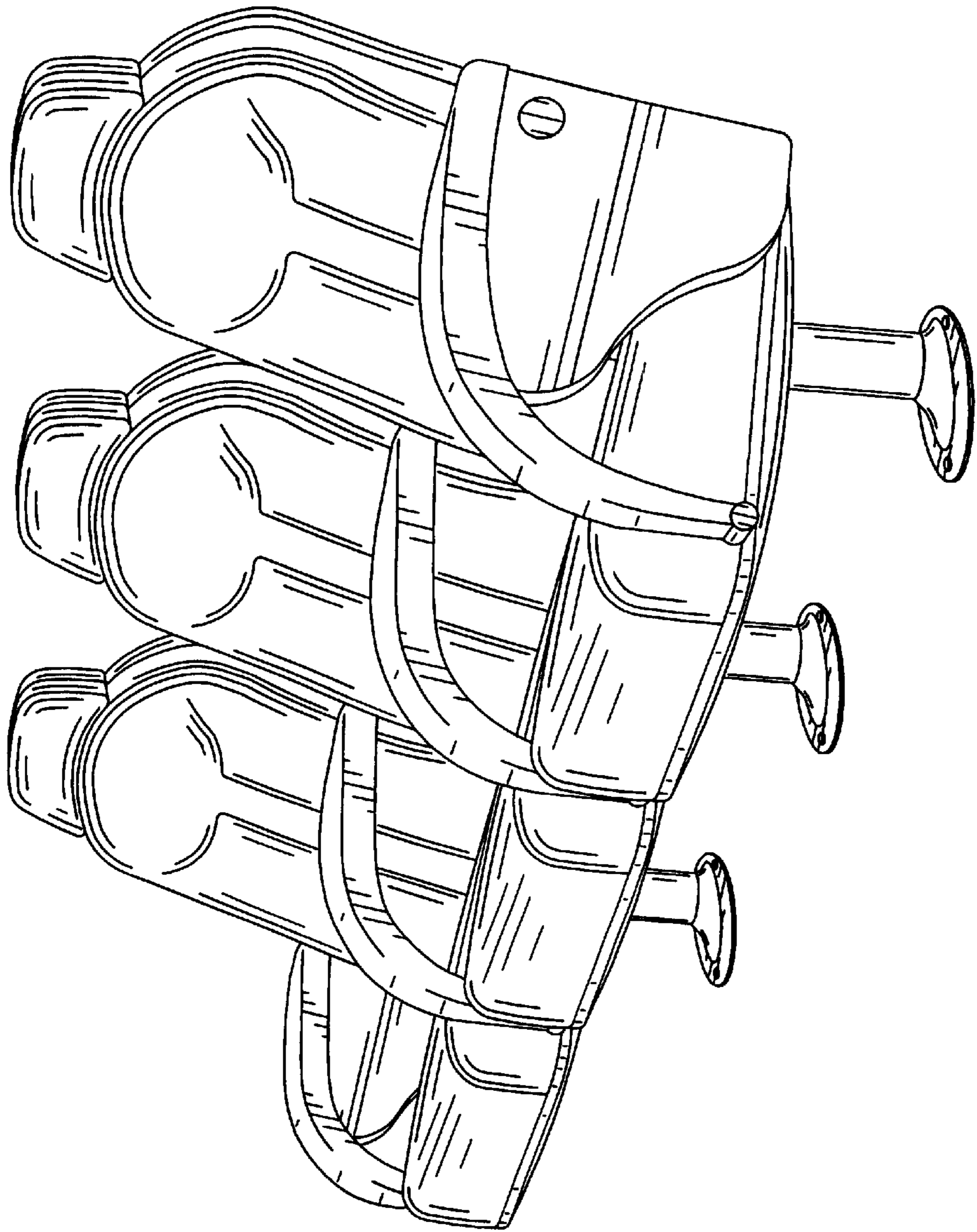


FIG. 9

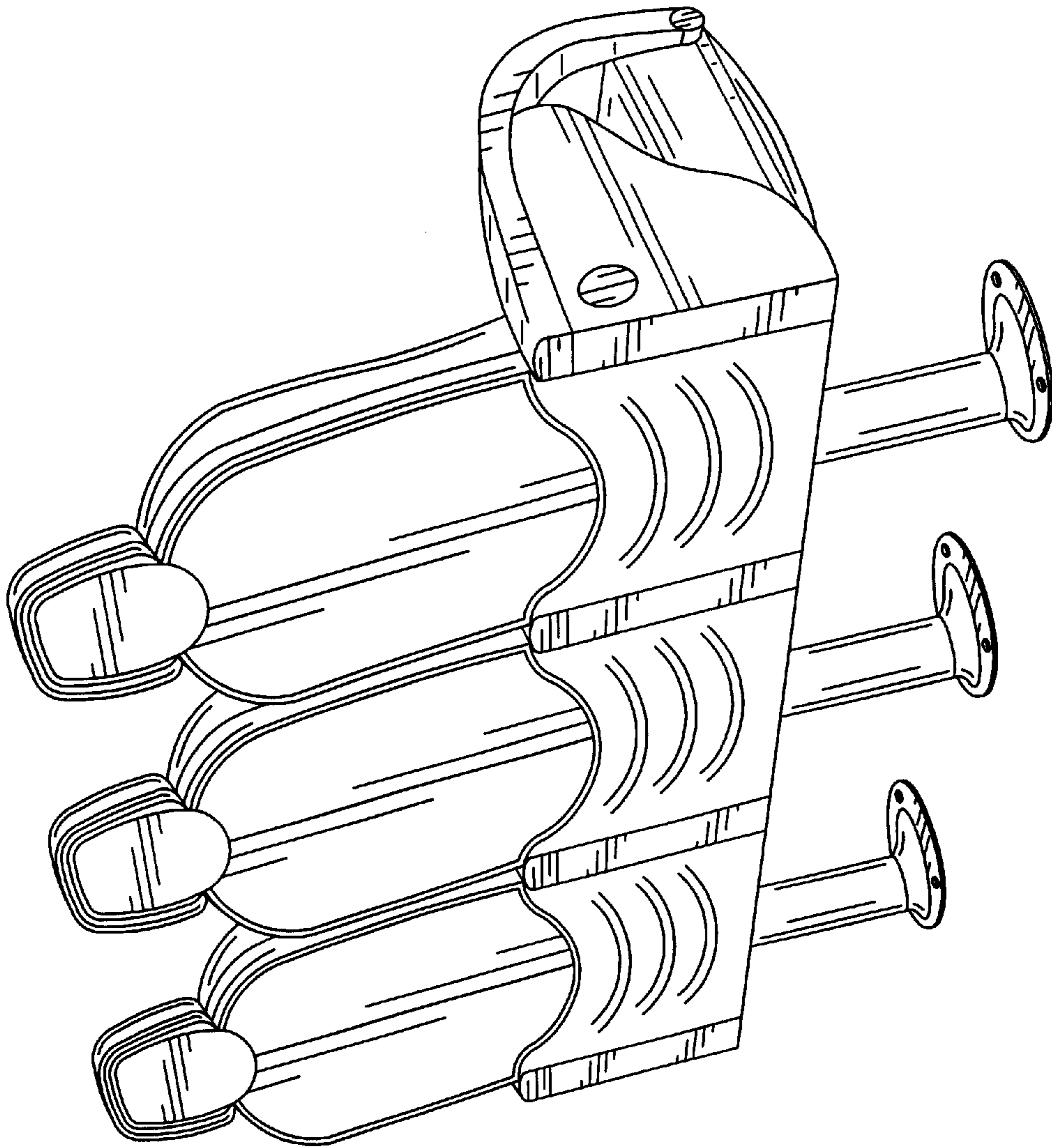


FIG. 10