



US00D445268S

(12) **United States Design Patent**
Taylor et al.

(10) **Patent No.:** **US D445,268 S**

(45) **Date of Patent:** **** Jul. 24, 2001**

(54) **STOOL**

(76) Inventors: **Nicole Merielle Marie Taylor; John Taylor**, both of 130 Wellington St. N., P.O. Box 1854, St. Mary's, Ontario (CA), N4X 1C2

(**) Term: **14 Years**

(21) Appl. No.: **29/128,817**

(22) Filed: **Sep. 1, 2000**

Related U.S. Application Data

(62) Division of application No. 29/106,856, filed on Jun. 24, 1999, now Pat. No. Des. 432,802.

(30) **Foreign Application Priority Data**

Apr. 21, 1999 (CA) 1990-0976

(51) **LOC (7) Cl.** **06-01**

(52) **U.S. Cl.** **D6/351**

(58) **Field of Search** D6/349-353, 497, D6/450; 297/461, 462, 423.1, 423.39, 423.41

(56) **References Cited**

U.S. PATENT DOCUMENTS

D. 174,695 5/1955 Kipp .

D. 309,681 8/1990 Solomon et al. .
D. 309,683 8/1990 Solomon et al. .
D. 373,265 9/1996 Horvath .
D. 393,391 * 4/1998 Lorenz et al. D6/552
D. 426,082 * 6/2000 Fehlig et al. D6/351
D. 432,802 * 10/2000 Taylor et al. D6/351

* cited by examiner

Primary Examiner—Janice E. Seeger
(74) *Attorney, Agent, or Firm*—Ridout & Maybee

(57) **CLAIM**

The ornamental design for stool, as shown and described.

DESCRIPTION

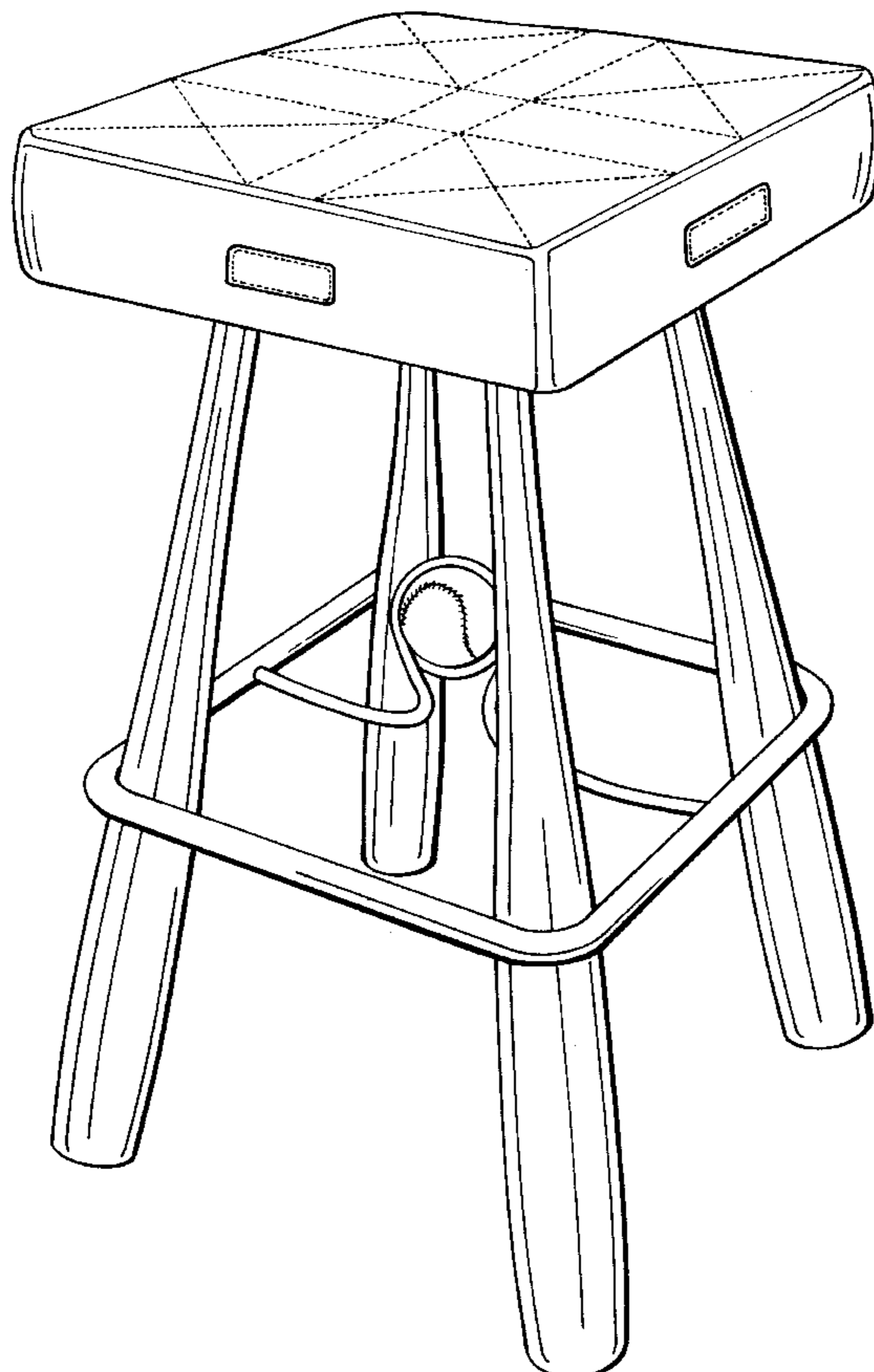
FIG. 1 is a perspective view of the design, this view showing the front and the right sides thereof;

FIG. 2 is a front view of the design;

FIG. 3 is a right side view of the design, the left side having the same appearance as the right side; and,

FIG. 4 is a top view of the design.

1 Claim, 4 Drawing Sheets



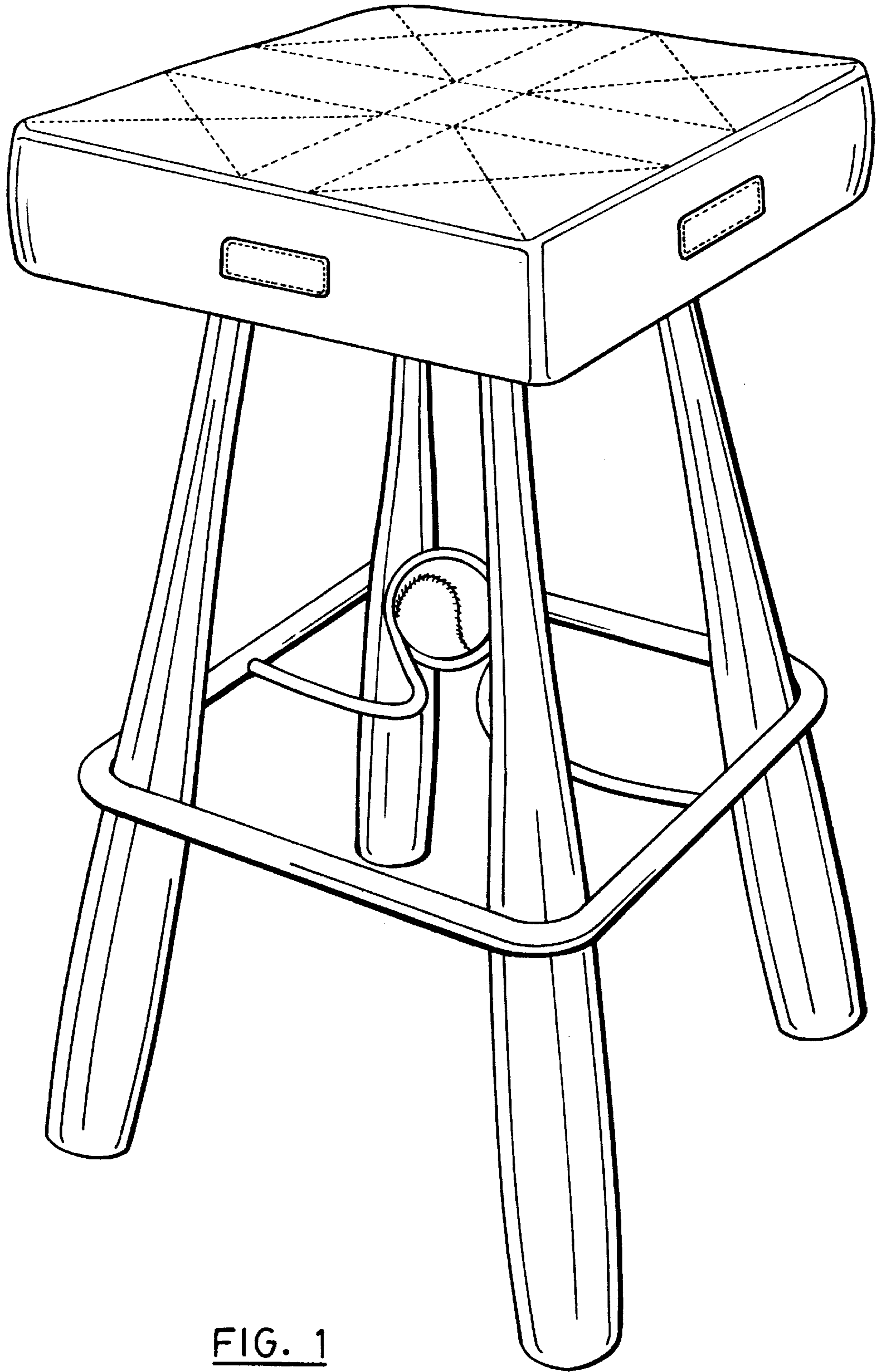


FIG. 1

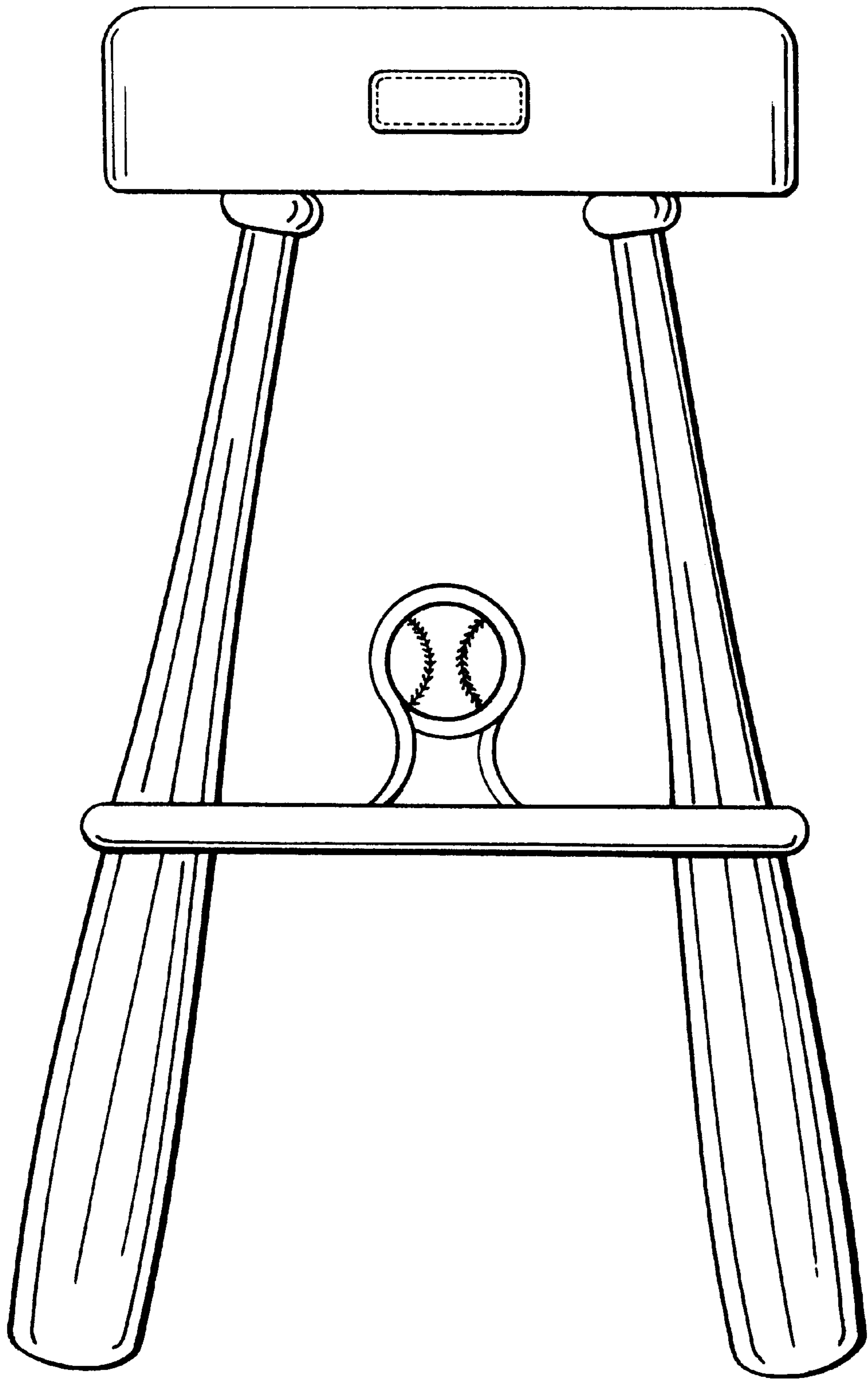


FIG. 2

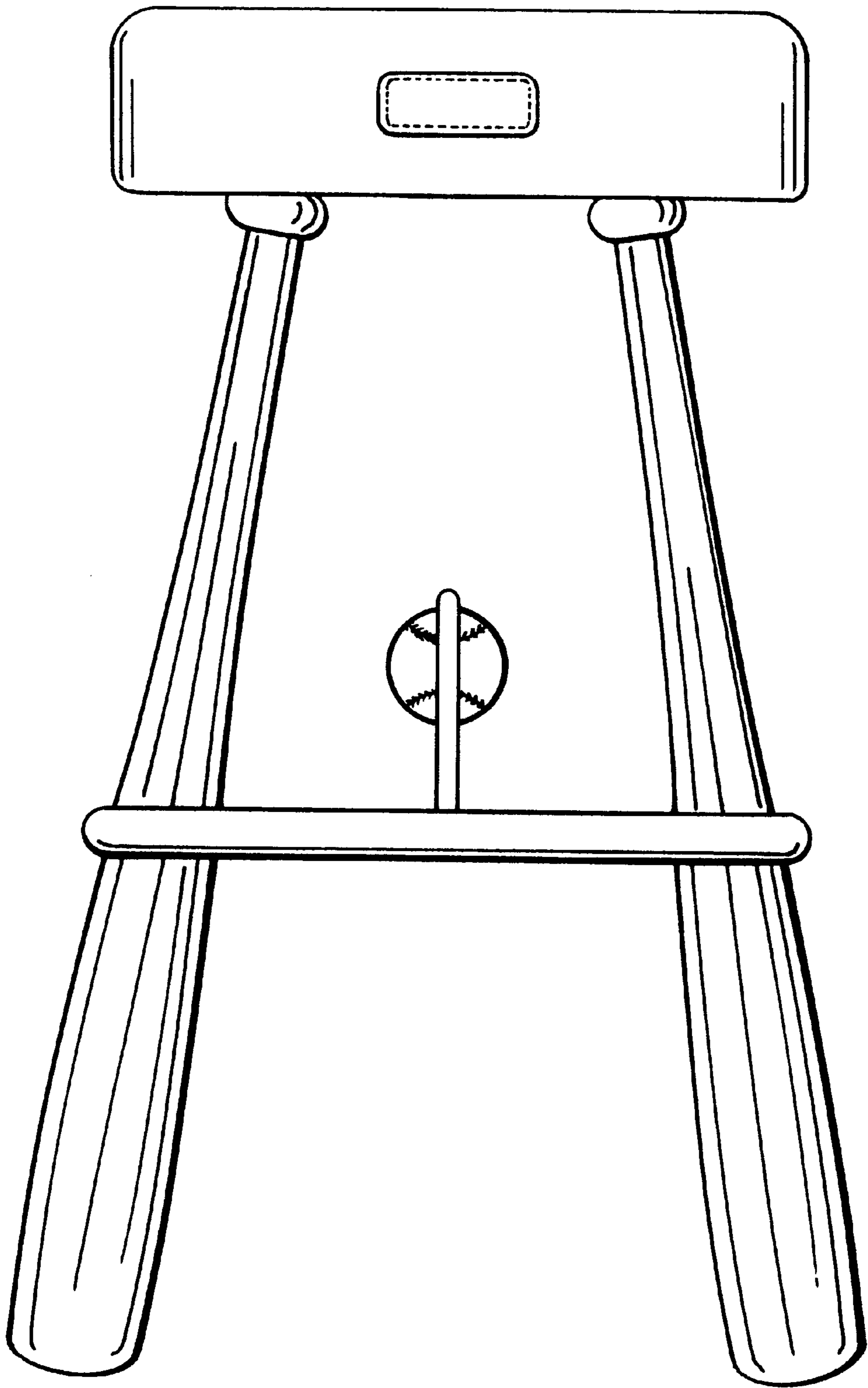


FIG. 3

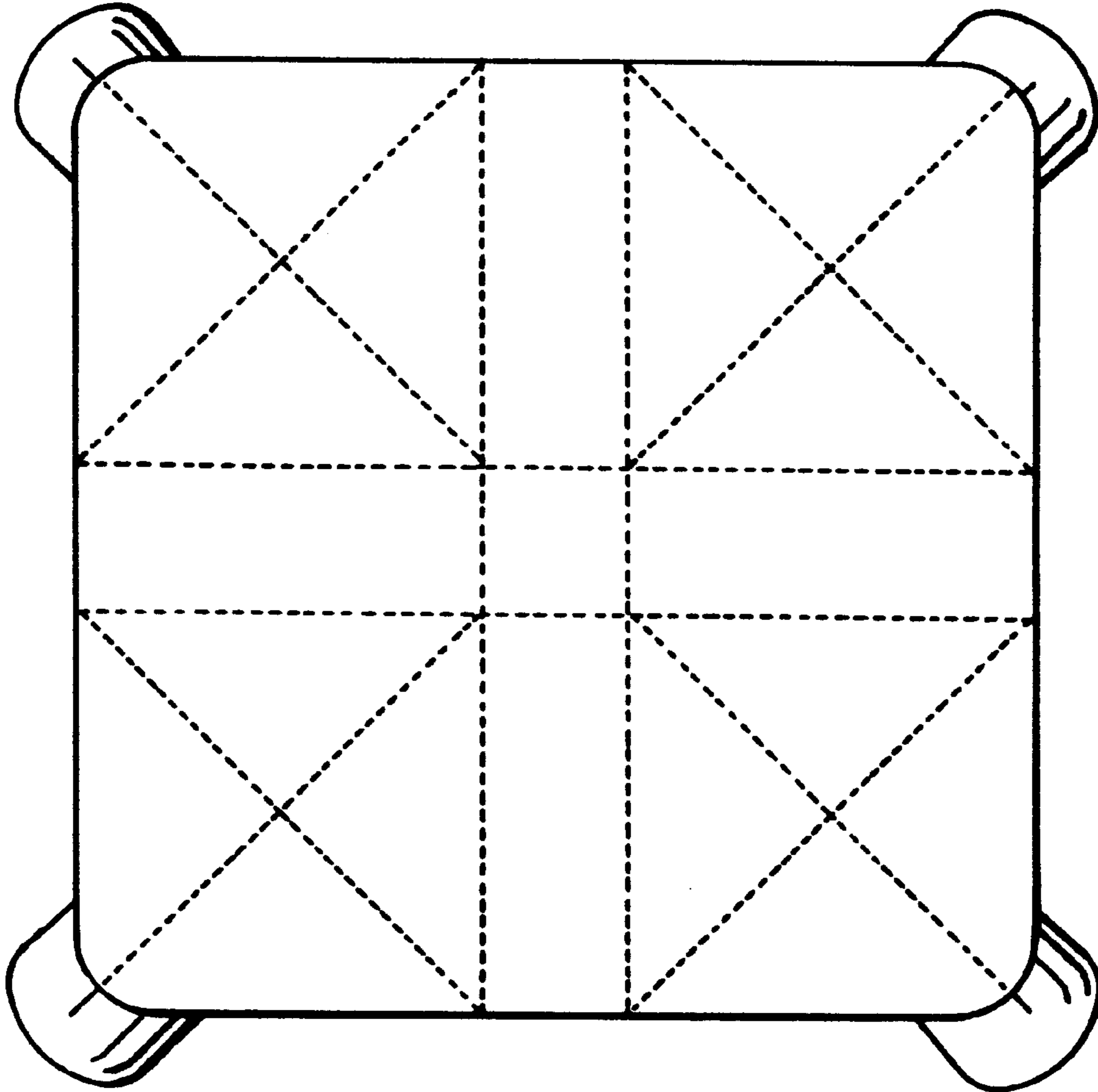


FIG. 4