



US00D445262S

(12) **United States Design Patent** (10) **Patent No.:** **US D445,262 S**  
**Rowan** (45) **Date of Patent:** **\*\* Jul. 24, 2001**

(54) **PICTURE FRAME**

(75) Inventor: **Paul Rowan**, Toronto (CA)

(73) Assignee: **Umbra, Inc.**, Buffalo, NY (US)

(\*\*) Term: **14 Years**

(21) Appl. No.: **29/112,628**

(22) Filed: **Oct. 22, 1999**

(51) **LOC (7) Cl.** ..... **06-07**

(52) **U.S. Cl.** ..... **D6/300**

(58) **Field of Search** ..... D6/300-314; D20/10,  
D20/40; 40/700, 711, 714, 716, 723, 729,  
732, 735, 745, 747, 765, 768, 769, 771,  
780, 790, 798

(56) **References Cited**

**U.S. PATENT DOCUMENTS**

D. 271,359	11/1983	Le .	
D. 279,146	6/1985	McCaffrey .	
D. 280,363	9/1985	Wisecup, Jr. .	
D. 296,957	8/1988	Gordon et al. .	
D. 339,238	9/1993	Hamilton .	
D. 346,068	4/1994	White .	
882,710	3/1908	Pearsall .	
886,840	5/1908	Mueller .	
1,261,133	* 4/1918	Kidd .....	40/768
1,802,999	4/1931	Budd .	
3,178,844	5/1963	Christian .	
4,165,573	8/1979	Richards .	
4,170,080	* 10/1979	Bergh et al. ....	40/732
4,794,714	1/1989	Weisgerber .	
4,939,858	* 7/1990	Dailey .....	40/732
5,367,802	11/1994	Rosenberg .	

**OTHER PUBLICATIONS**

Burnes of Boston, 1984, p. 23, #5552 frame at top right.\*  
Exposures Summer II 1991, p. 6, frame at left and second from top.\*  
Exposures, Winter 1995, p. 14, picture frame, item 4, top left corner of page, p. 33, bottom of page, Item 1, Collectors' Wood Frames.

Exposures, Winter 1990, p. 61, picture frame, Item L, top left corner of page.

Gifts and Decorative Accessories, Feb. 1985, p. 195, Walnut Square Plate Frame, bottom right of page.

Burnes of Boston 1984 Catalog, p. 19, item 6190, picture frames, center right of page, p. 25, item 5450 picture frames, bottom right of page.

Spencer's Catalog, 1967, p. 24, Album-Paperweight, Hardwood, Brass-Plated Frames.

Burnes of Boston, 1984 Catalog, p. 14, item 8931, top right of page, picture frames.

Gifts and Decorative Accessories, May 1978, p. 69, center left of page, four pictures diamond shape frame.

\* cited by examiner

*Primary Examiner*—Janice E. Seeger

(74) *Attorney, Agent, or Firm*—Saidman DesignLaw Group

(57) **CLAIM**

The ornamental design for a picture frame, as shown and described.

**DESCRIPTION**

FIG. 1 is a perspective view of a picture frame showing my new design;

FIG. 2 is a front view thereof;

FIG. 3 is a top view thereof, the bottom, left side, and right side views being identical;

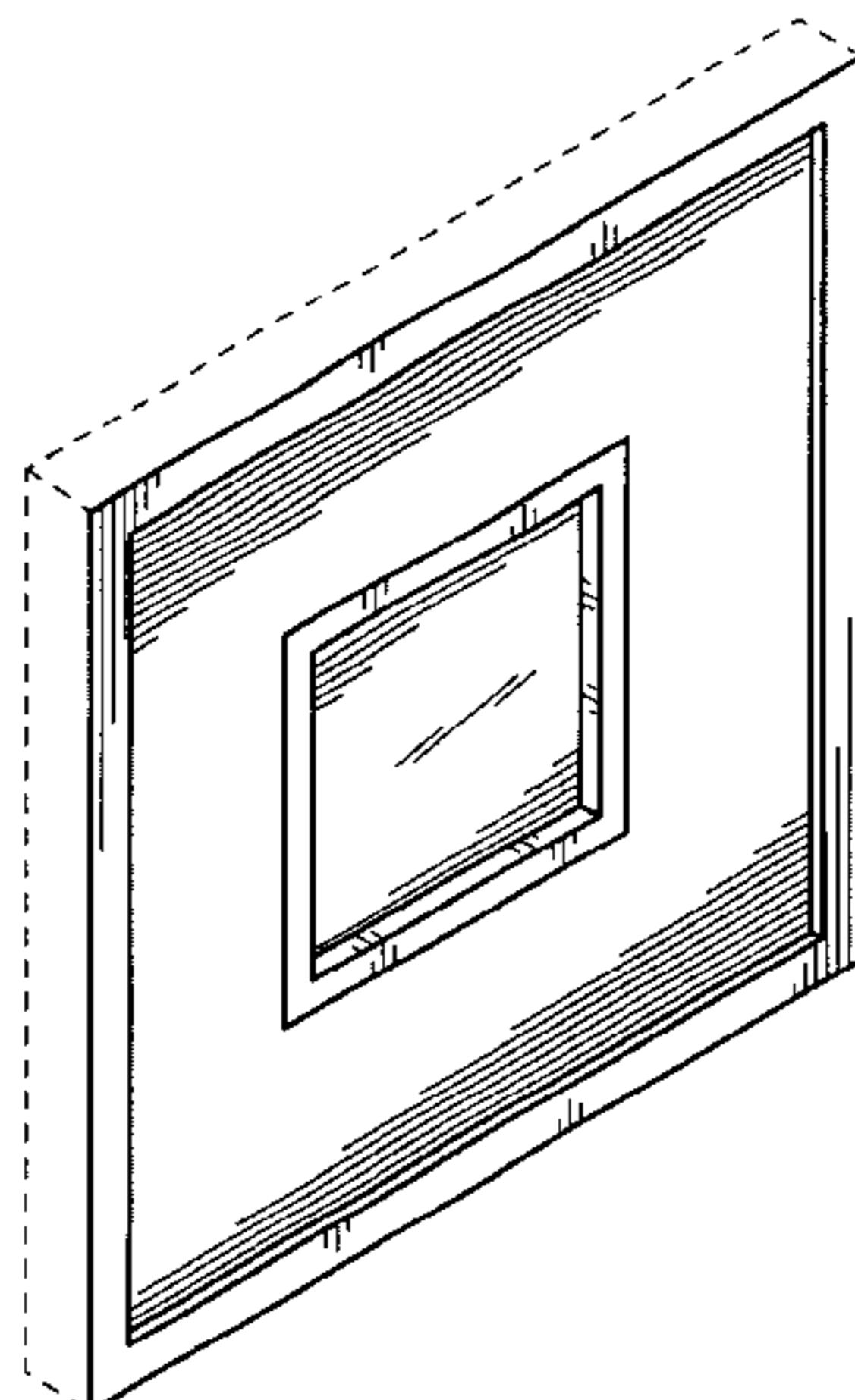
FIG. 4 is a perspective view of a second embodiment of a picture frame showing my new design;

FIG. 5 is a front view thereof; and,

FIG. 6 is a top view thereof, the bottom, left side, and right side views being identical.

The rear view of each embodiment forms no part of the claimed design. The broken lines shown in FIGS. 1, 3, 4, and 6 represent environmental subject matter and form no part of the claimed design.

**1 Claim, 2 Drawing Sheets**



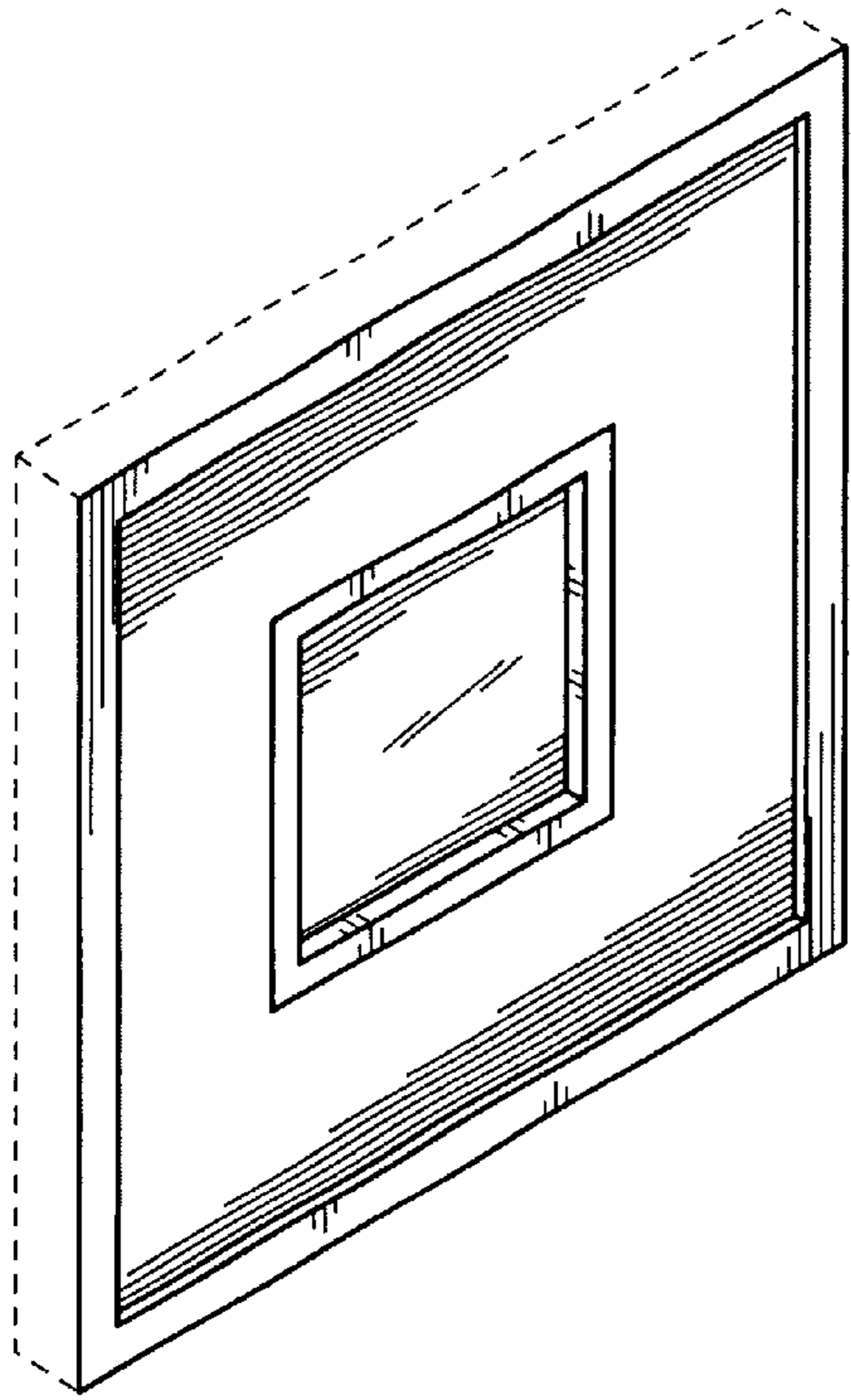


FIG. 1

FIG. 2

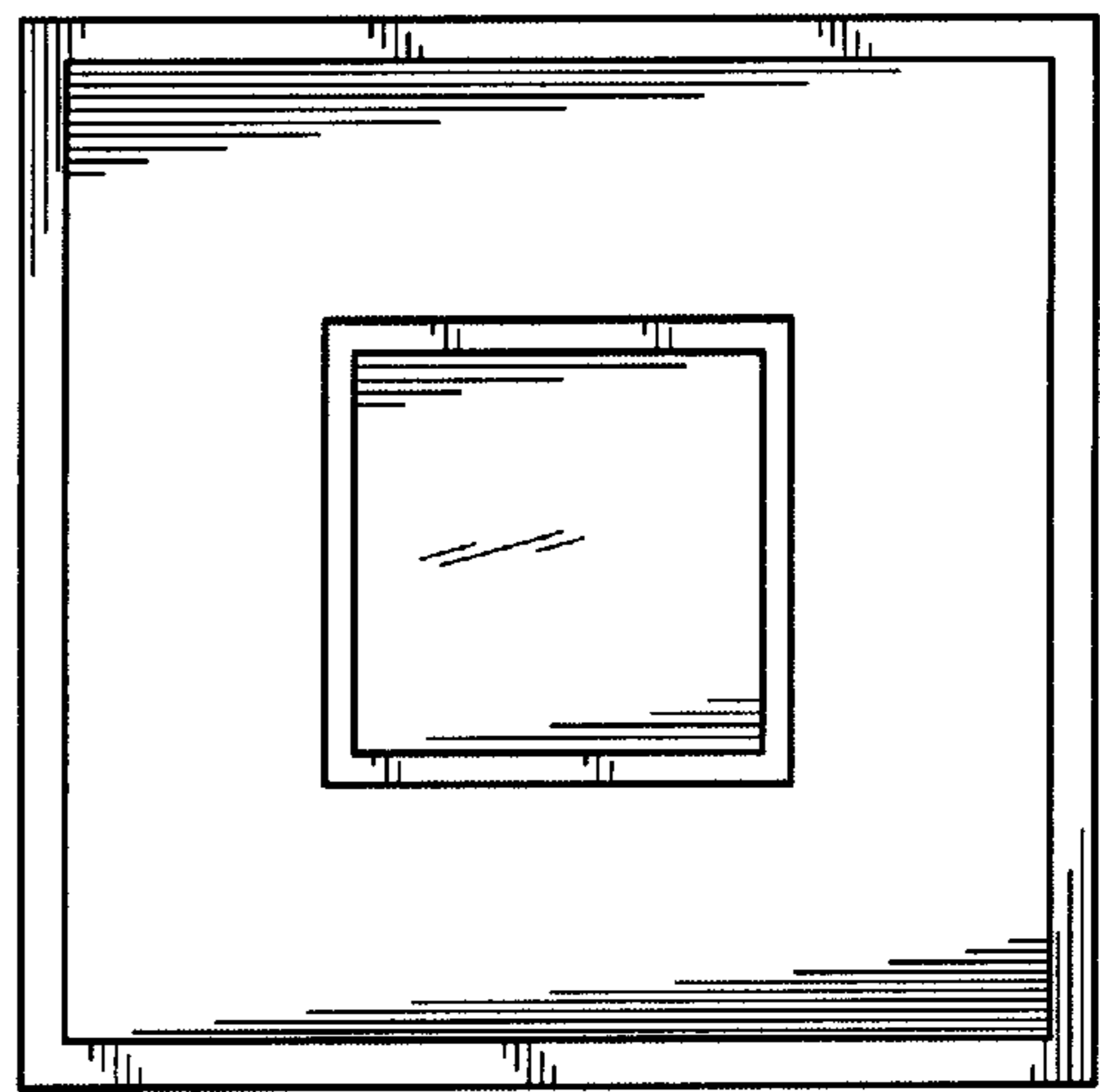
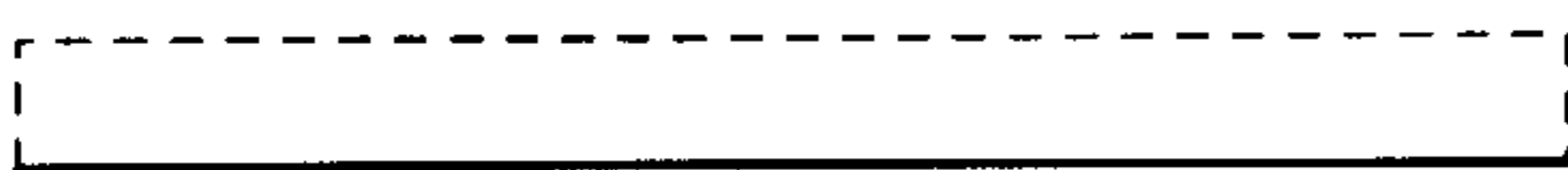


FIG. 3



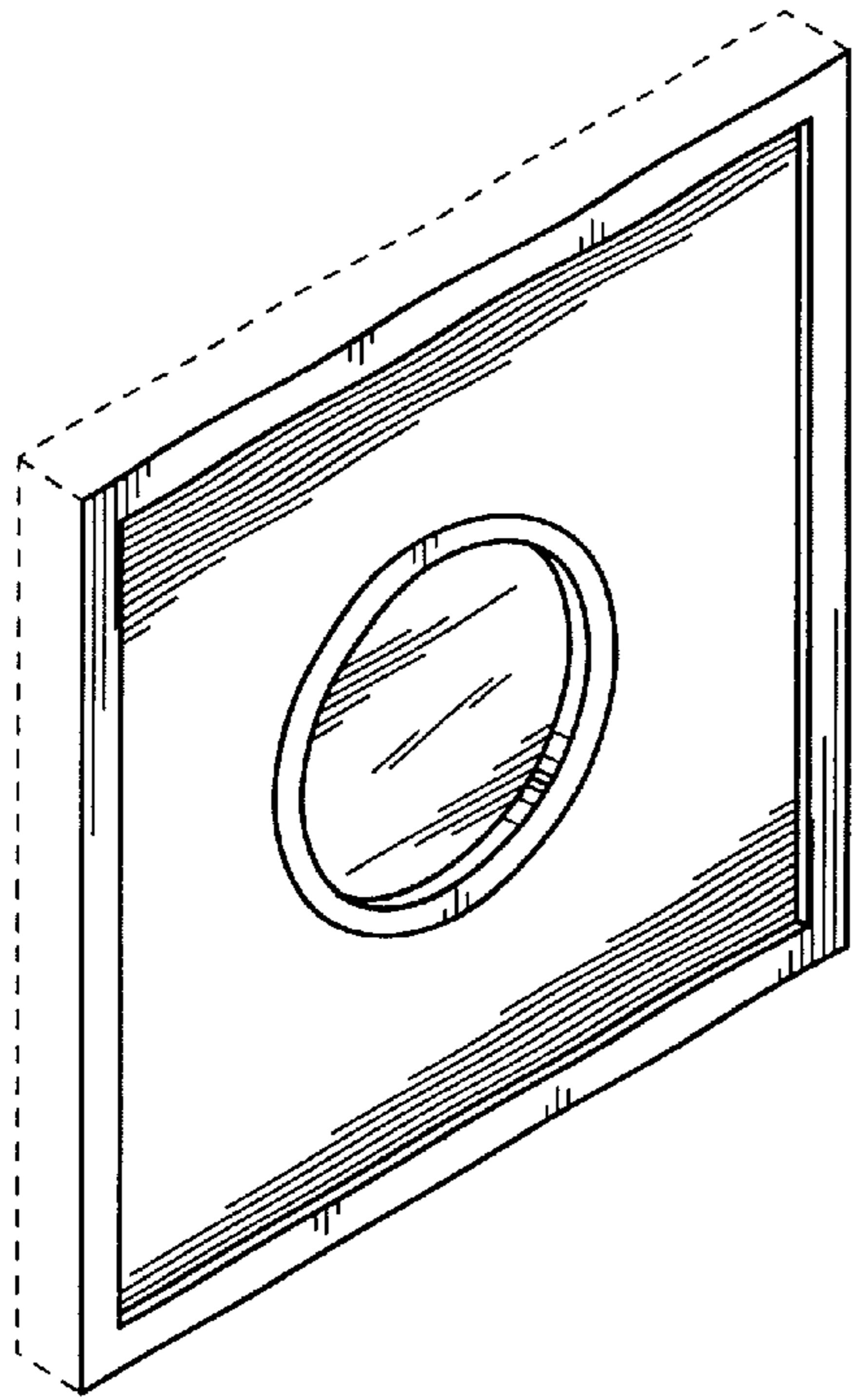


FIG. 4

FIG. 5

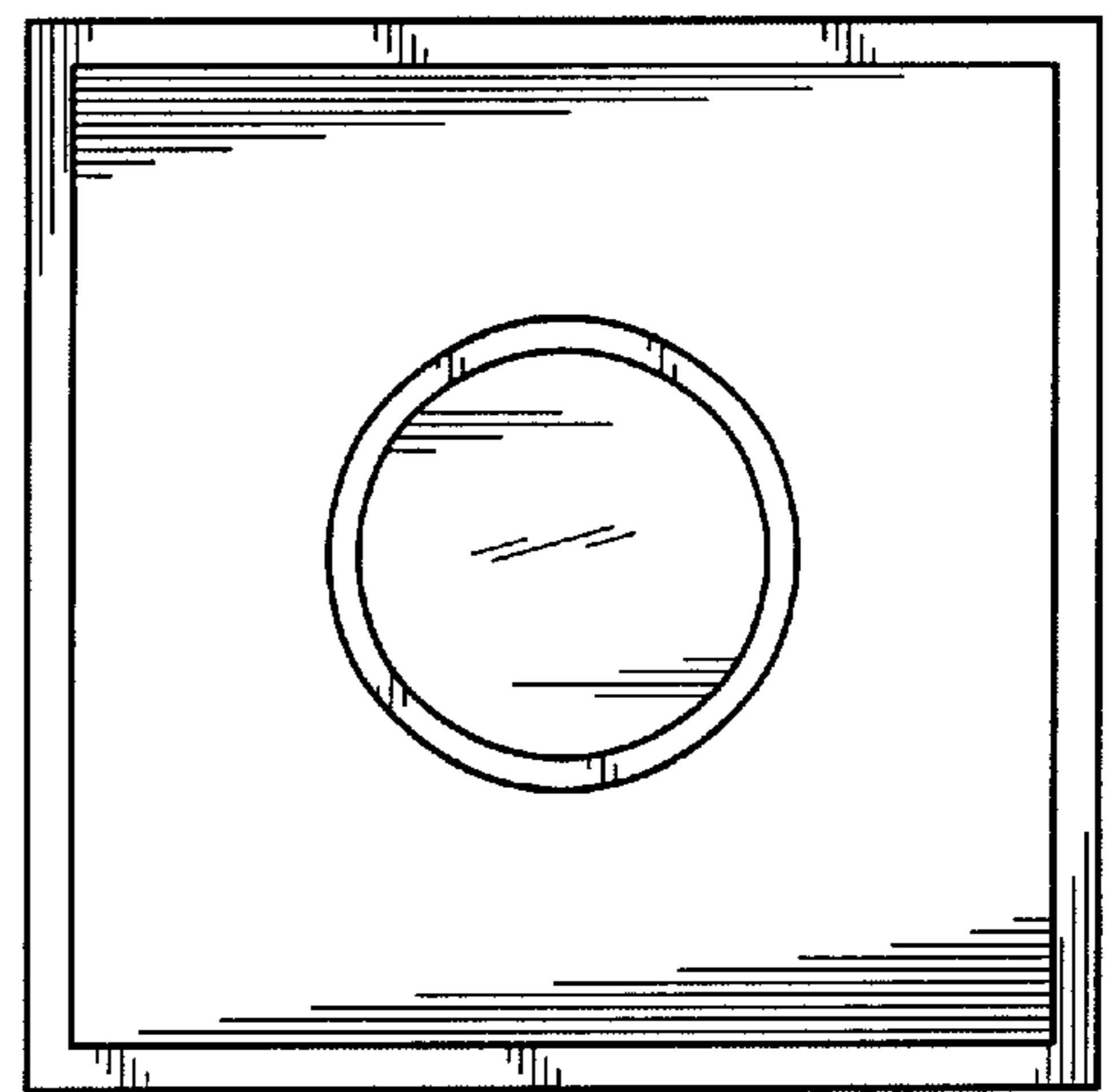


FIG. 6

