



US00D445259S

(12) **United States Design Patent**
Axelsson

(10) **Patent No.:** **US D445,259 S**

(45) **Date of Patent:** **** Jul. 24, 2001**

(54) **CONNECTOR FOR EXTENSION HANDLE
FOR PAINTING TOOLS**

5,039,138 * 8/1991 Dickirson 403/287 X
5,112,156 * 5/1992 Boyer 403/287
5,460,458 * 10/1995 Caceres 16/429 X

(75) Inventor: **Jan Axelsson**, Bankeryd (SE)

FOREIGN PATENT DOCUMENTS

(73) Assignee: **Anza AB**, Bankeryd (SE)

2254104 * 9/1992 (GB) .

(**) Term: **14 Years**

* cited by examiner

(21) Appl. No.: **29/126,315**

Primary Examiner—Alan P. Douglas

Assistant Examiner—Lavone Tabor

(22) Filed: **Jul. 13, 2000**

(74) *Attorney, Agent, or Firm*—Ladas & Parry

(30) **Foreign Application Priority Data**

(57) **CLAIM**

Jan. 13, 2000 (DK) BA 2000 00013

The ornamental design for a connector for extension handle for painting tools, as shown and described.

(51) **LOC (7) Cl.** **04-04**

DESCRIPTION

(52) **U.S. Cl.** **D4/138; D4/199**

(58) **Field of Search** D4/138, 199; D8/107,
D8/382, 396; D32/35; 15/143.1, 144.1,
144.3, 145, 230.11; 16/110.1, 422, 427,
429; 403/287, 300–303, 305, 309, 310;
D13/133

FIG. 1 is a perspective view of a connector for extension handle for painting tools showing our new design;
FIG. 2 is a front view thereof;
FIG. 3 is a rear view thereof;
FIG. 4 is a top plan view thereof, the bottom being the same;
FIG. 5 is a right side view thereof, the plan view left side view being a mirror image thereof; and,
FIG. 6 is an enlarged perspective view thereof from the rear.

(56) **References Cited**

U.S. PATENT DOCUMENTS

D. 299,693 * 2/1989 Wick D8/396

1 Claim, 2 Drawing Sheets

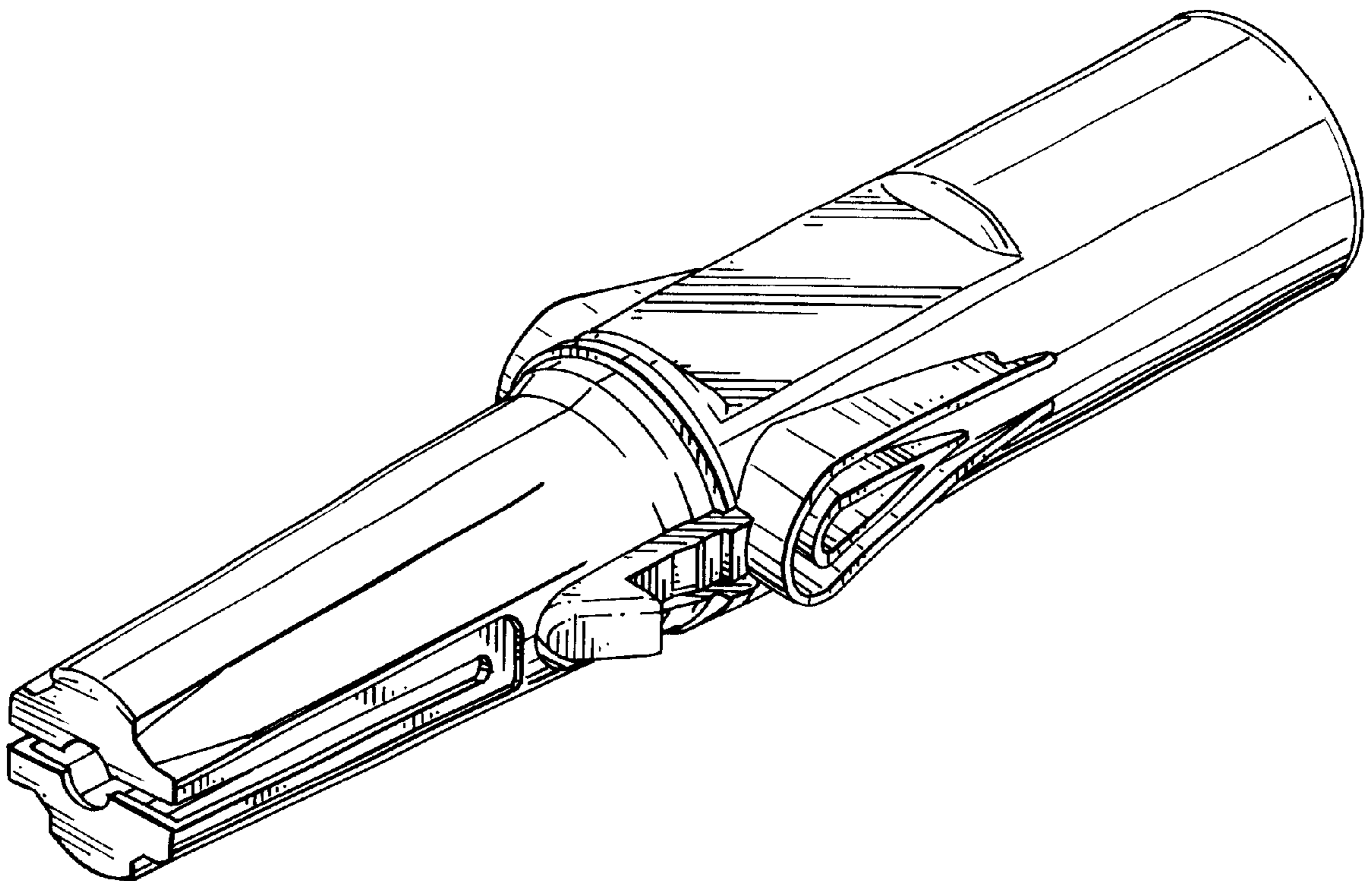


FIG. 1

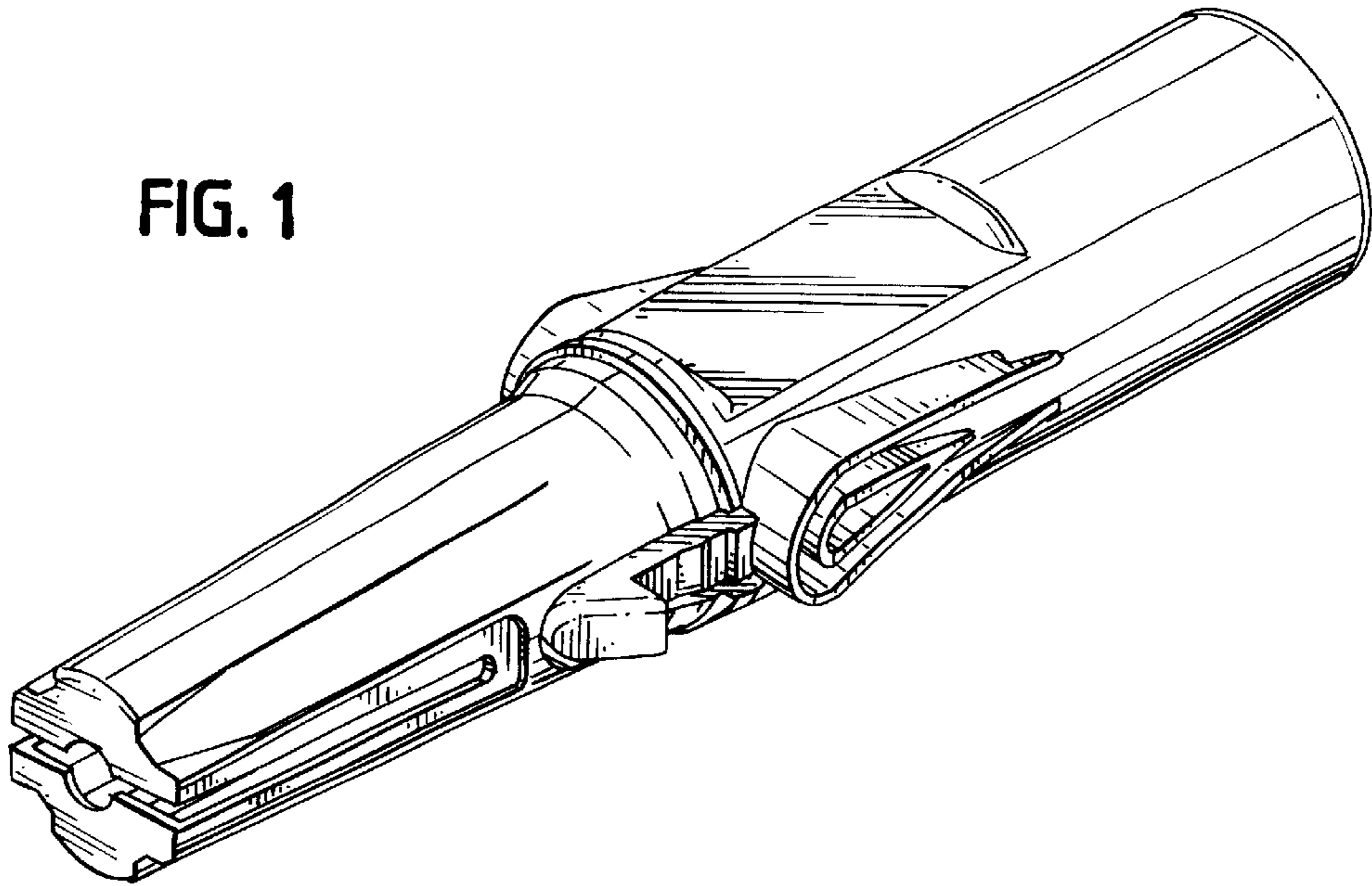


FIG. 2

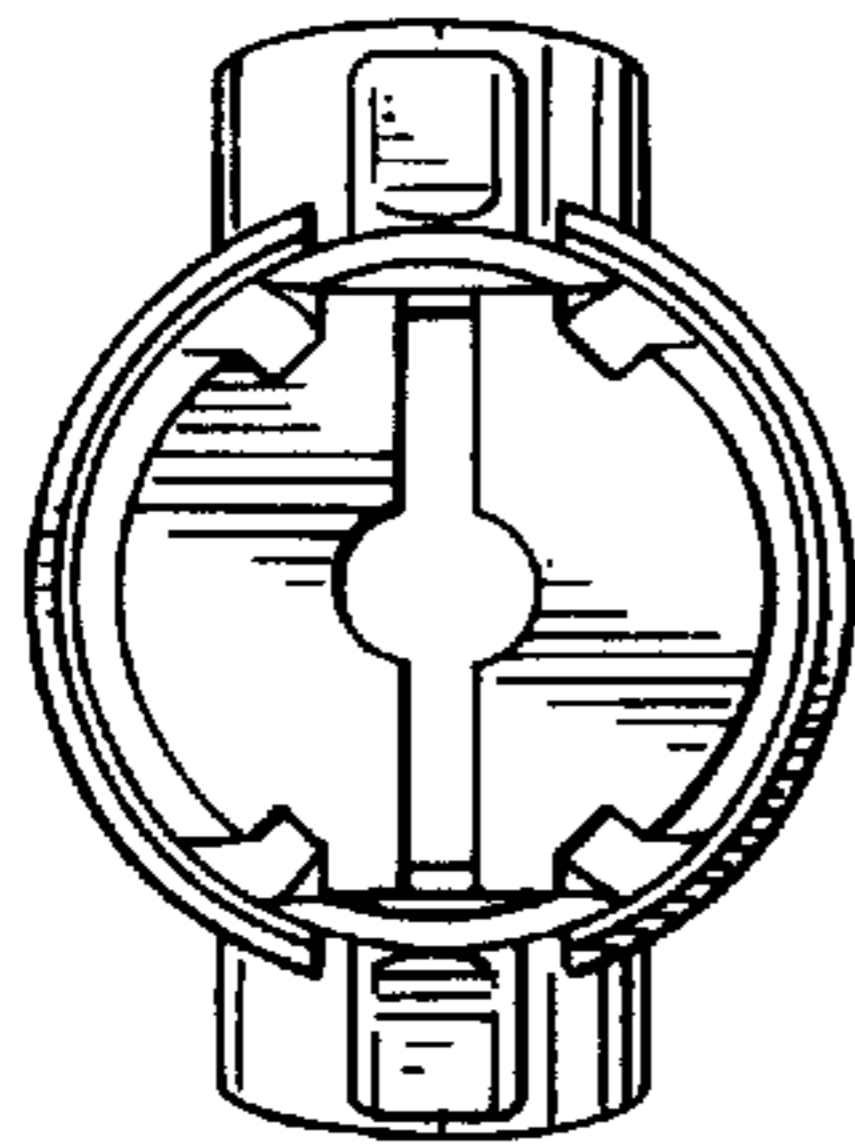


FIG. 3

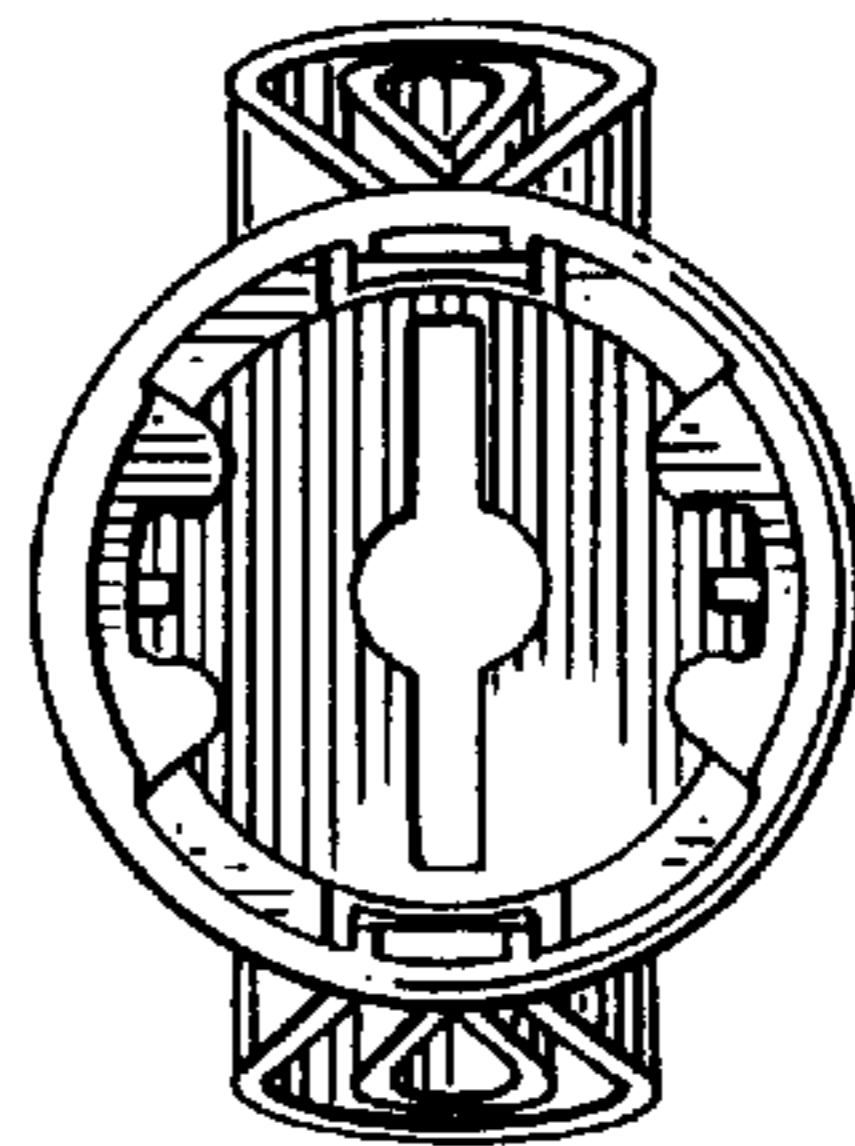


FIG. 4

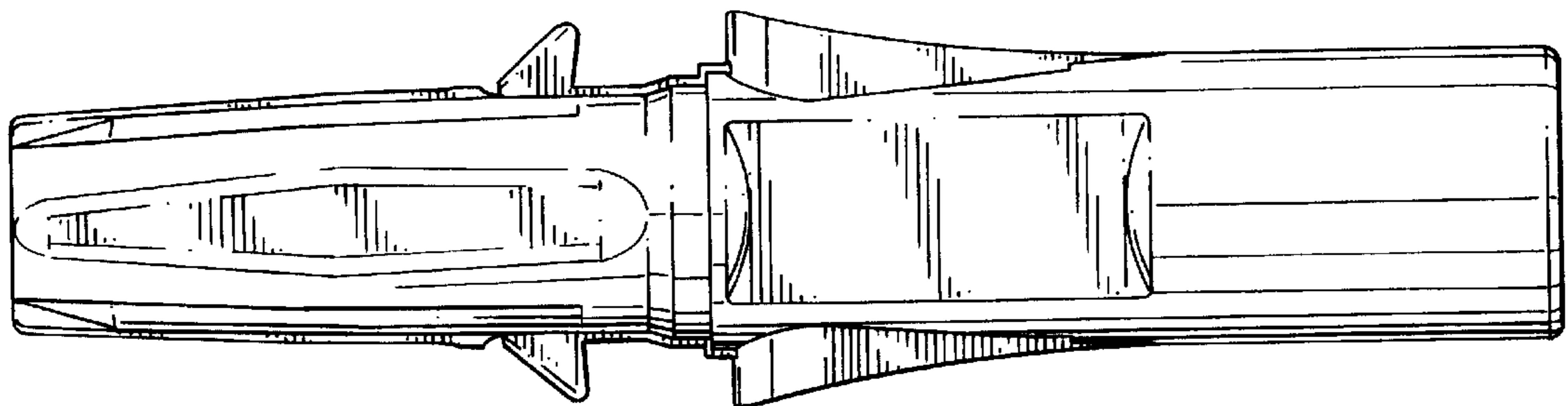


FIG. 5

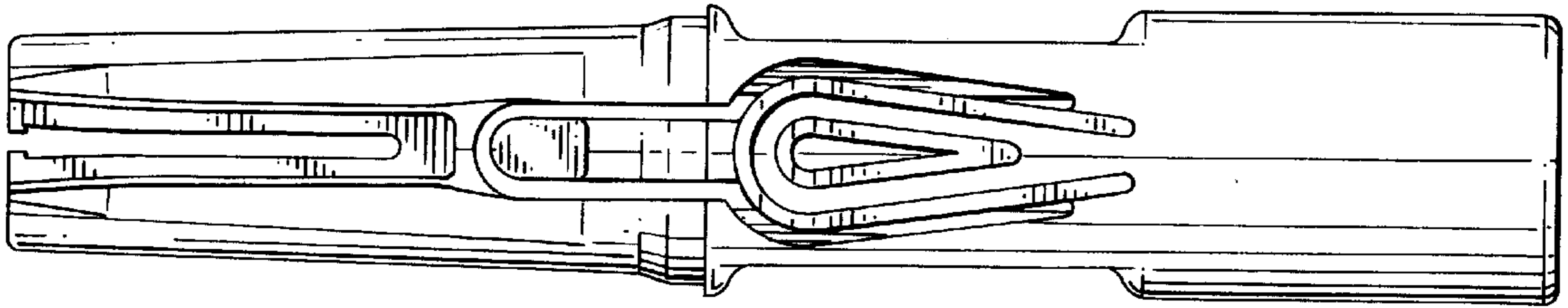


FIG. 6

