



US00D445256S

(12) **United States Design Patent**  
**Lentz**

(10) **Patent No.:** **US D445,256 S**

(45) **Date of Patent:** **\*\* Jul. 24, 2001**

- (54) **HANDBAG INTERNAL DESIGN**
- (75) Inventor: **Soren Lentz**, London (GB)
- (73) Assignee: **Chanel, Inc.**, New York, NY (US)
- (\*\*) Term: **14 Years**
- (21) Appl. No.: **29/099,902**
- (22) Filed: **Jan. 29, 1999**
- (51) **LOC (7) Cl.** ..... **03-99**
- (52) **U.S. Cl.** ..... **D3/319**
- (58) **Field of Search** ..... D3/232, 233, 239,  
D3/242, 245, 246; 150/100, 112; 382/120

D. 335,027	4/1993	Flood	.....	D3/45
D. 347,731	6/1994	Hayakawa et al.	.....	D3/282
D. 351,727	10/1994	Tarozzi	.....	D3/276
D. 362,246	9/1995	Evenson et al.	.....	D14/114
D. 362,546	9/1995	Mundorf et al.	.....	D3/276
D. 370,121	5/1996	Chabot	.....	D3/238
D. 370,557	6/1996	Ferris et al.	.....	D3/205
D. 392,625	3/1998	Tang et al.	.....	D14/106
417,886	* 12/1889	Scheuer	.....	150/112
D. 422,411	* 4/2000	Martin	.....	D3/245 X
616,492	* 12/1898	Reznicek	.....	150/112
3,543,825	* 12/1970	Dobbs et al.	.....	150/112
4,192,365	* 3/1980	Siegel	.....	150/112 X

\* cited by examiner

*Primary Examiner*—Louis S. Zarfaz  
*Assistant Examiner*—Robert A. Delehanty  
(74) *Attorney, Agent, or Firm*—Darby & Darby

(56) **References Cited**

**U.S. PATENT DOCUMENTS**

D. 99,499	5/1936	Creed .	
D. 112,742	* 12/1938	Ferrara	..... D3/239
D. 148,811	2/1948	Malmstead .	
D. 193,128	6/1962	Belokin, Jr. .	
D. 230,102	1/1974	Reneau .	
D. 231,586	5/1974	Lazo de la Vega .	
D. 235,036	4/1975	Kuramochi .	
D. 245,815	9/1977	Dunnavan	..... D87/5 F
D. 259,760	7/1981	Lucas et al.	..... D7/7
D. 333,912	3/1993	Cheng	..... D3/73

(57) **CLAIM**

I claim the novel design for a handbag internal design, as shown.

**DESCRIPTION**

FIG. 1 is a top plan view of our new design for a handbag interior; and,  
FIG. 2 is a left side elevational view thereof.

**1 Claim, 2 Drawing Sheets**

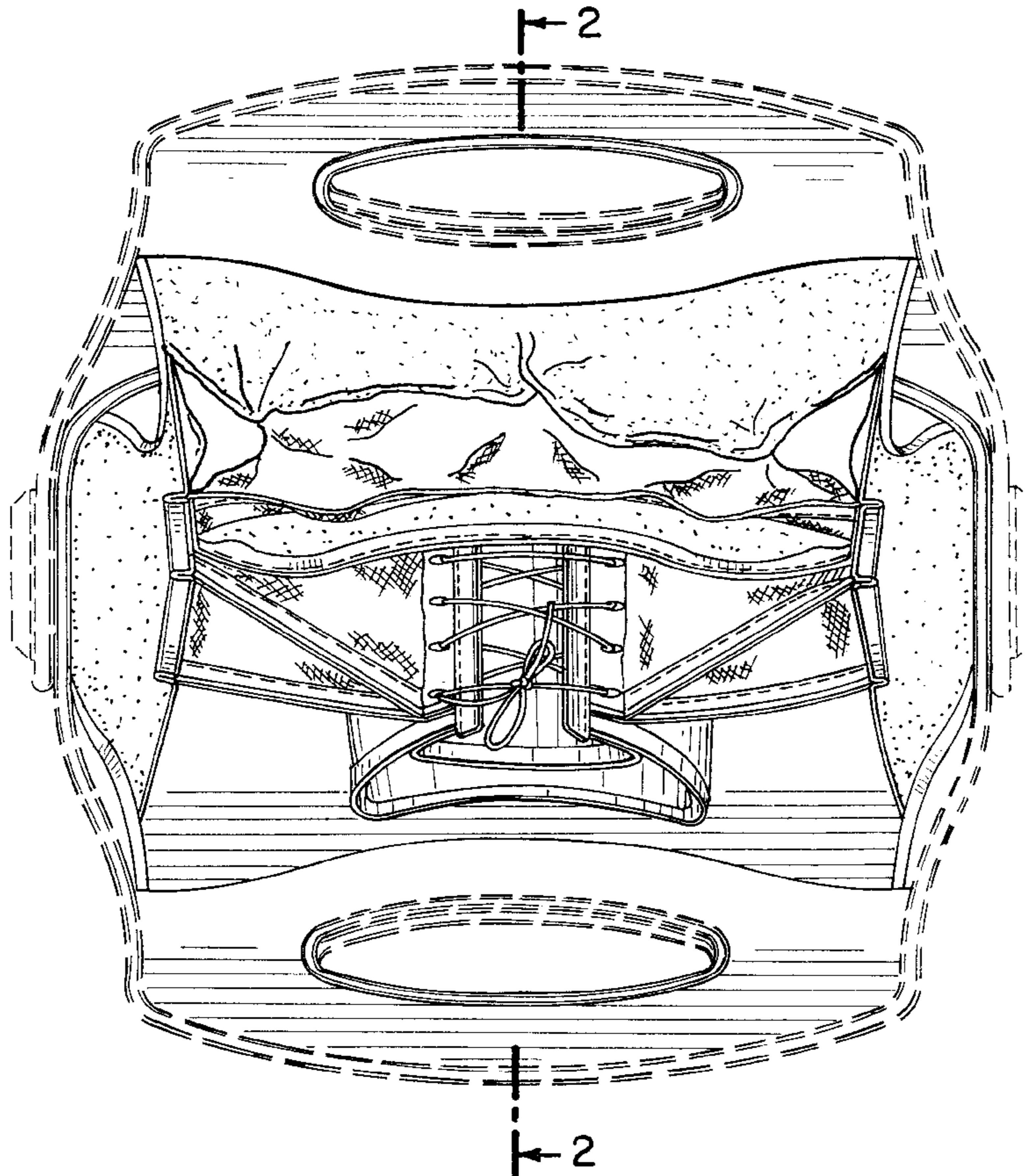


FIG. 1

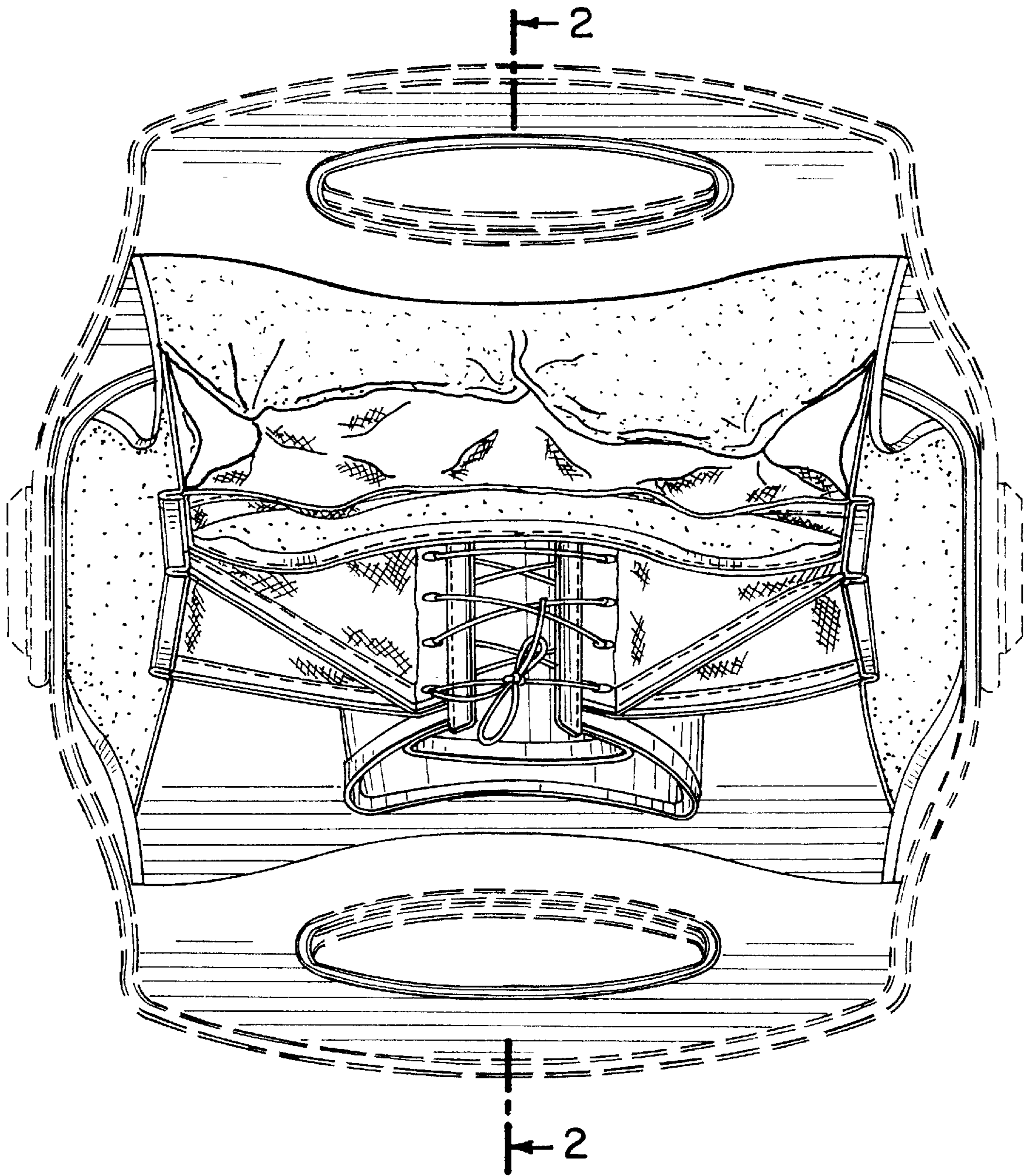


FIG. 2

