



US00D445254S

(12) **United States Design Patent**  
**Jasper et al.**

(10) **Patent No.:** **US D445,254 S**

(45) **Date of Patent:** **\*\* Jul. 24, 2001**

(54) **FABRIC CONTAINER LINER**

\* cited by examiner

(75) Inventors: **Judy Jasper**, Galloway; **Jim Watson**,  
Zanesville, both of OH (US)

*Primary Examiner*—Louis S. Zarfes

*Assistant Examiner*—D Levy

(73) Assignee: **The Longaberger Company**, Newark,  
OH (US)

(74) *Attorney, Agent, or Firm*—Porter, Wright, Morris &  
Arthur LLP

(\*\*) Term: **14 Years**

(57) **CLAIM**

(21) Appl. No.: **29/118,001**

The ornamental design for a fabric container liner, as shown  
and described.

(22) Filed: **Jan. 31, 2000**

**DESCRIPTION**

(51) **LOC (7) Cl.** ..... **03-99**

(52) **U.S. Cl.** ..... **D3/318**

(58) **Field of Search** ..... D3/277, 307, 318,  
D3/304, 306; D7/709, 548; 220/495.01,  
495.06, 495.03, 755, 9.4, 1.6

FIG. 1 is a perspective view of the fabric container liner  
showing our new design within a container, shown in  
phantom which forms no part of the claimed design;

FIG. 2 is a front view of the fabric container liner of FIG. 1  
shown without the container;

(56) **References Cited**

**U.S. PATENT DOCUMENTS**

D. 401,411	*	11/1998	Chirillo	.....	D3/307
2,235,293	*	3/1941	Mellon	.....	D3/306
5,097,979	*	3/1992	McDermott et al.	.....	220/404
5,941,408	*	8/1999	Sherman	.....	220/495.01

FIG. 3 is a left side view of the fabric container liner of FIG.  
2;

FIG. 4 is a top view of the fabric container liner of FIG. 2;

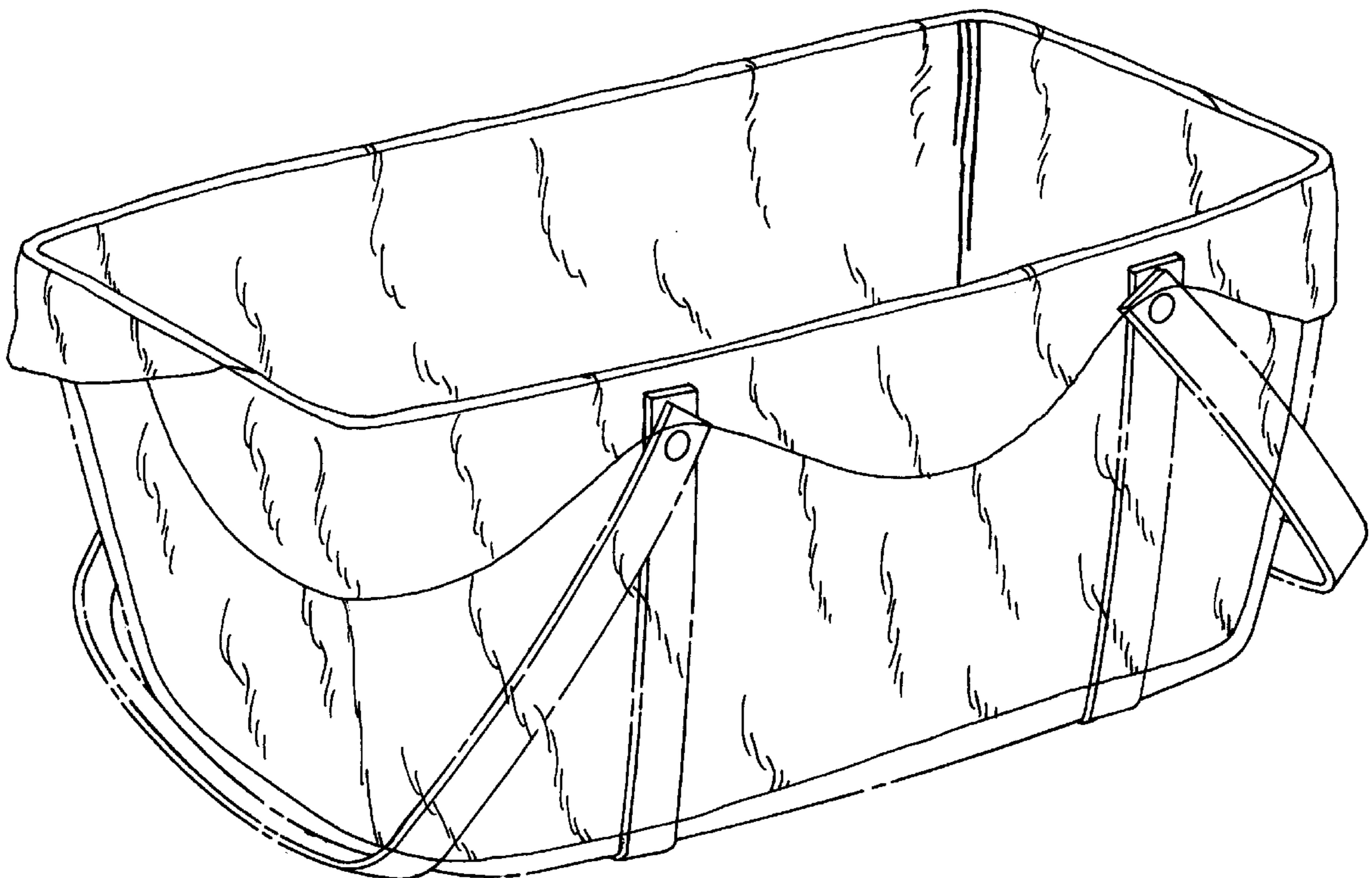
FIG. 5 is a bottom view of the fabric container liner of FIG.  
2; and,

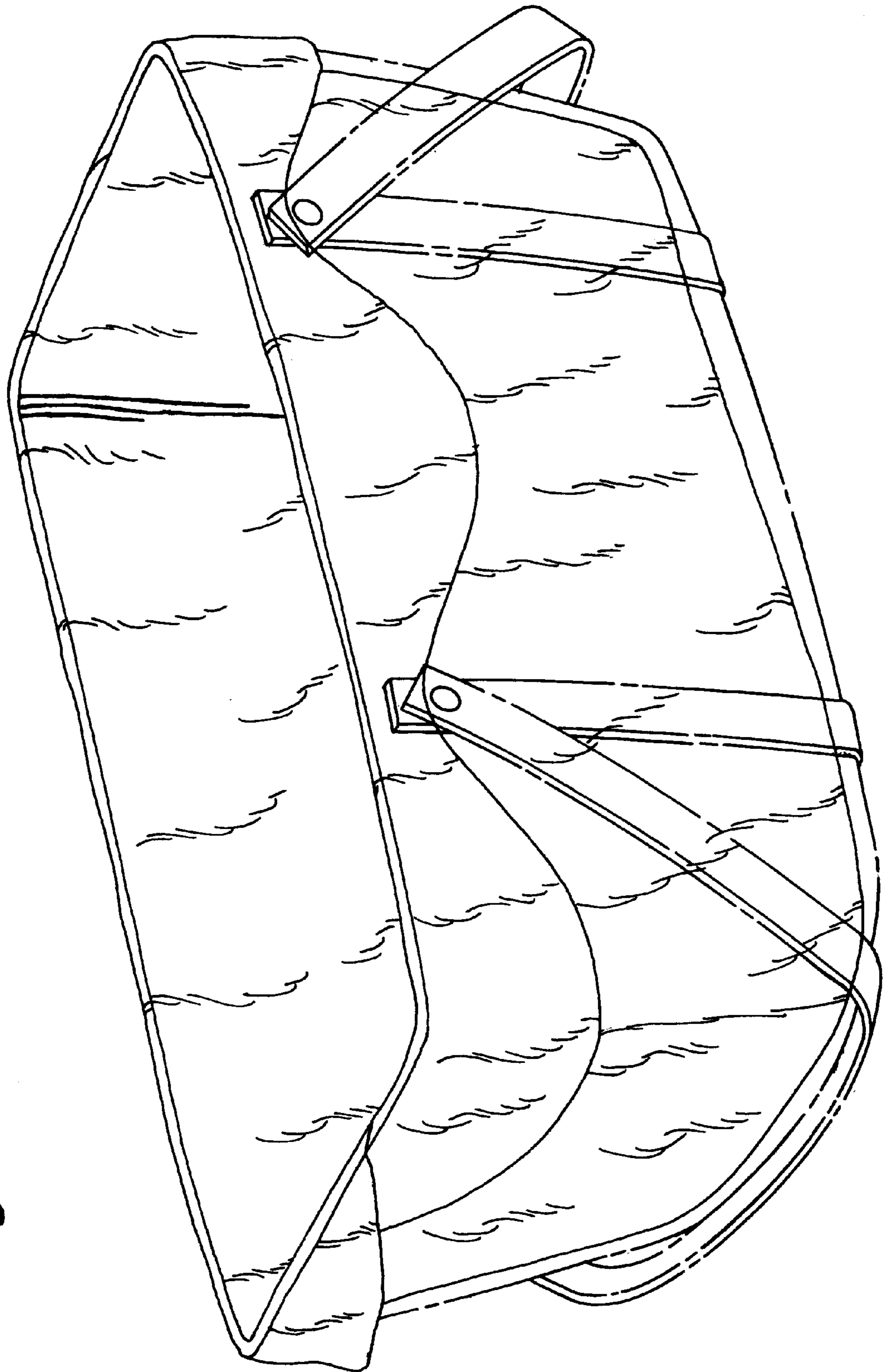
**OTHER PUBLICATIONS**

Simplicity Pattern Book Autumn 1996 p. 675—basket lin-  
ers, lower right p. 678—basket liner top photo p. 680—  
basket liner, lower right photo.\*

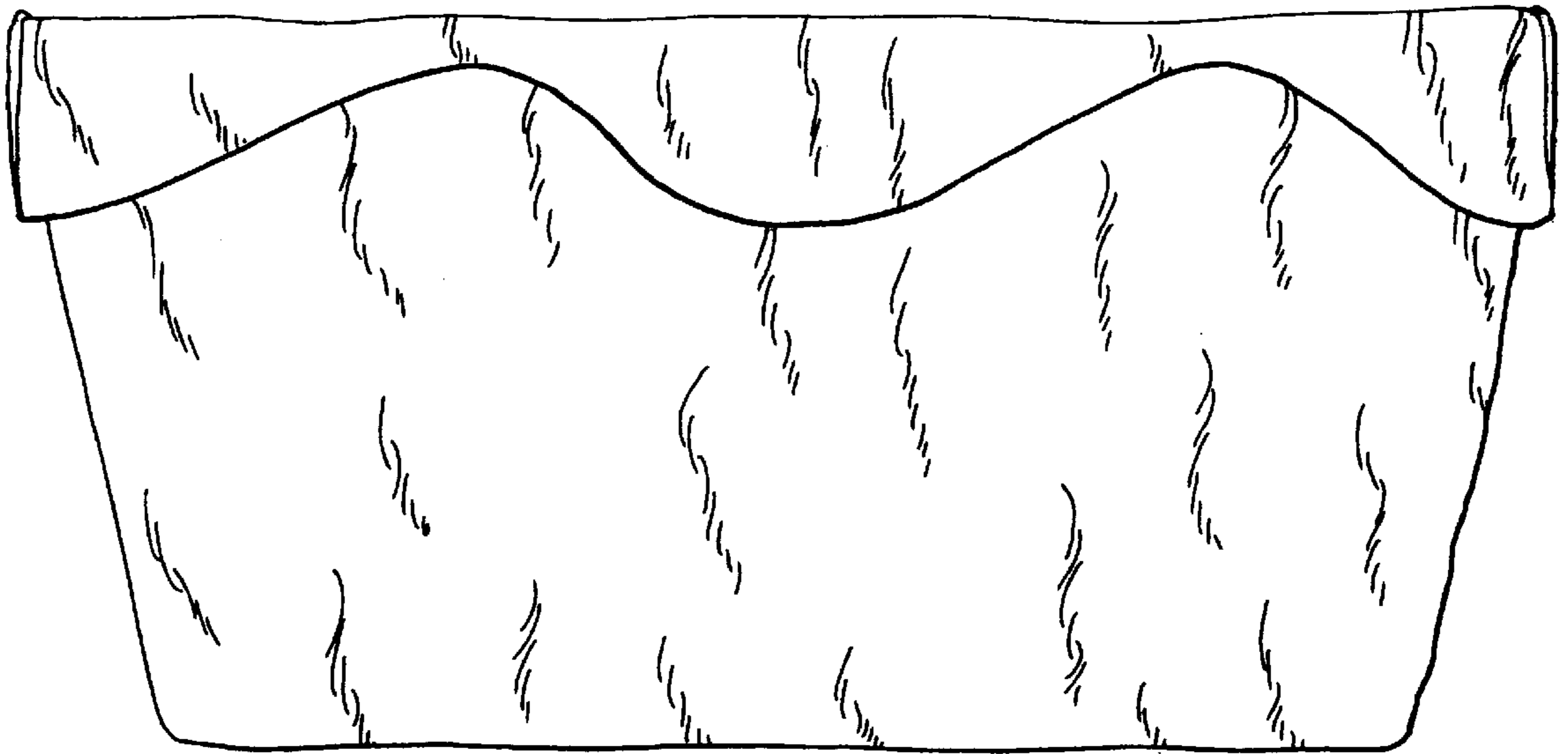
FIG. 6 is a right side view of the fabric container liner of  
FIG. 2.

**1 Claim, 4 Drawing Sheets**

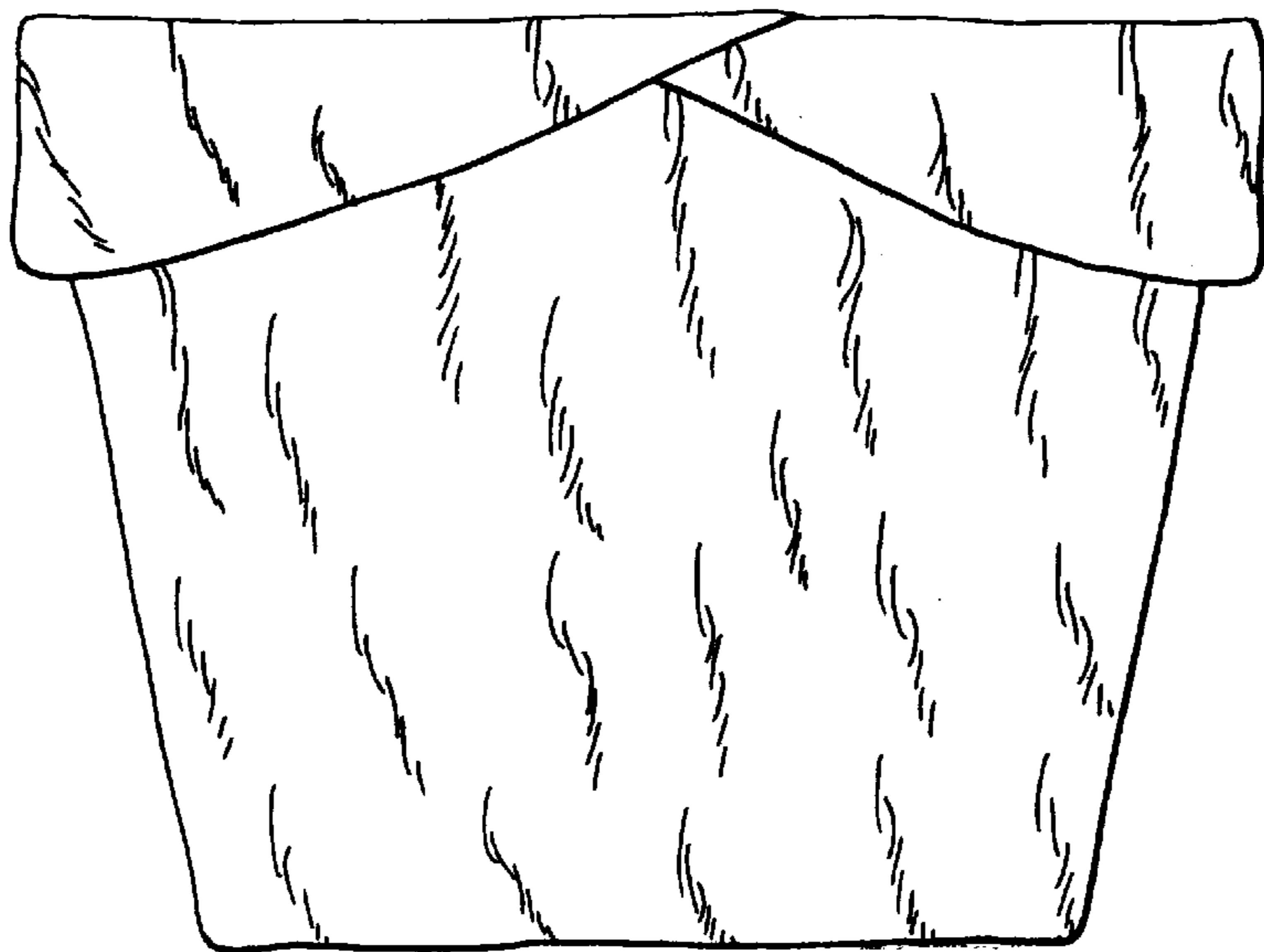




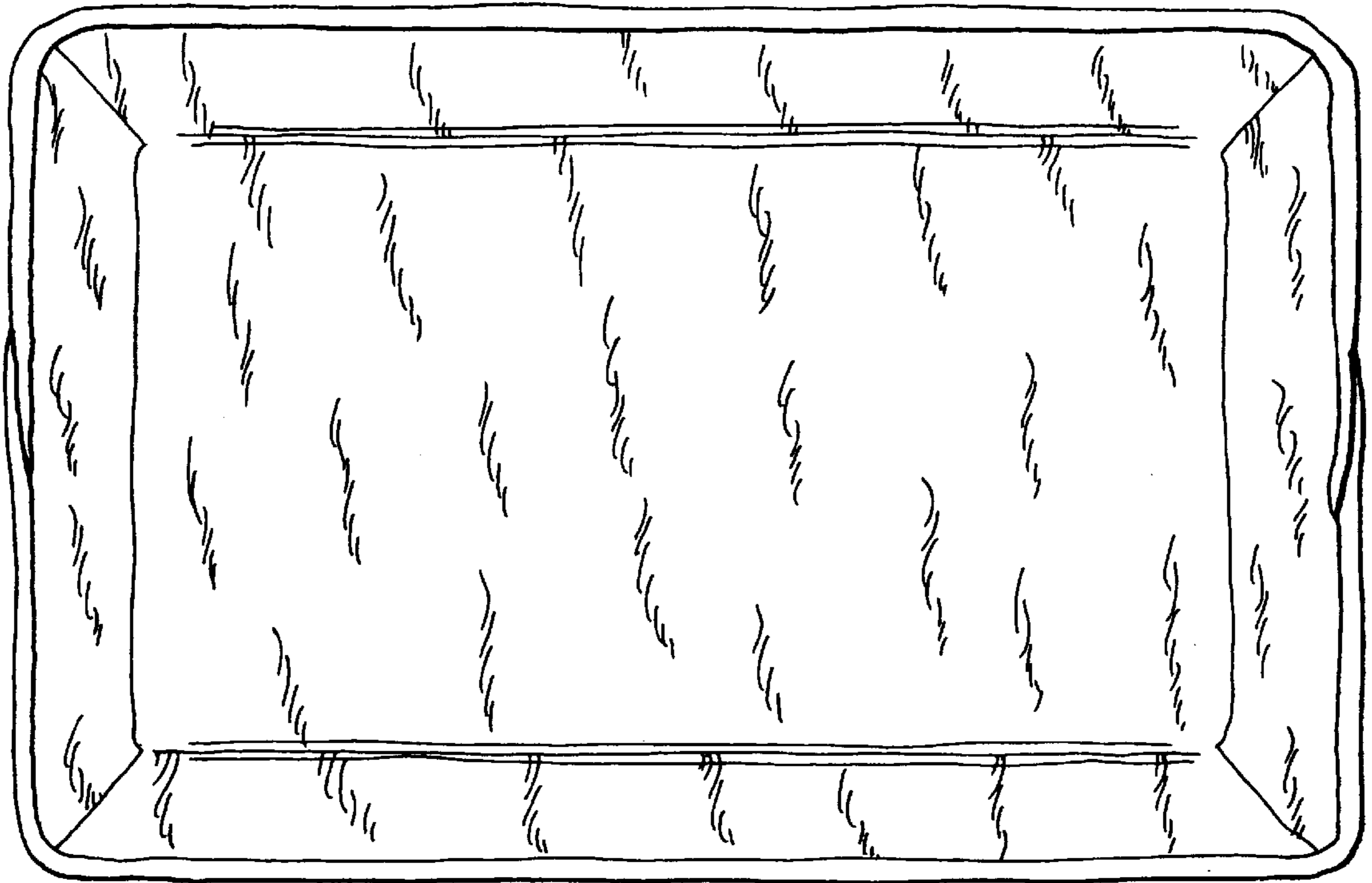
*Fig. 1*



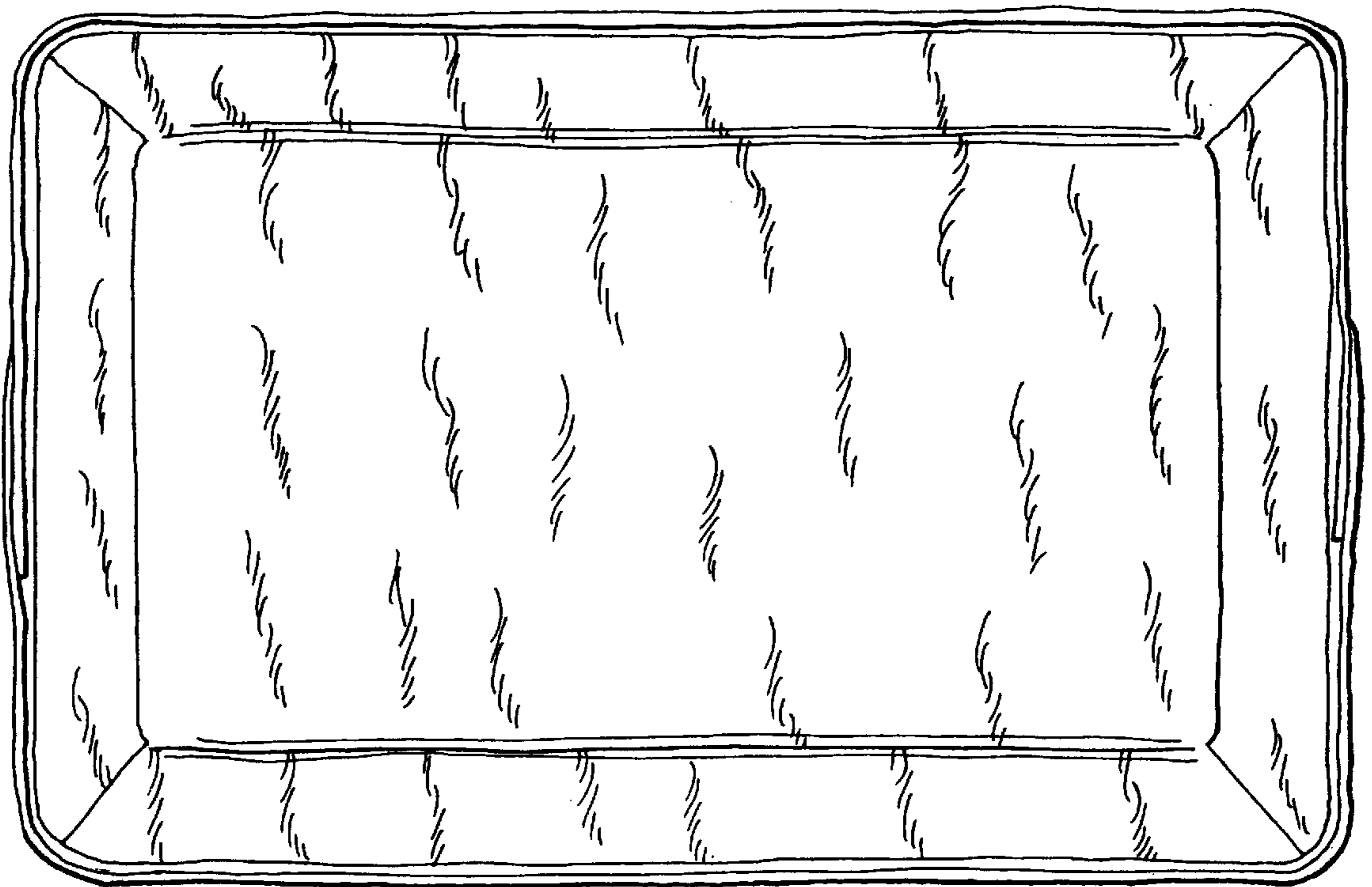
*Fig. 2*



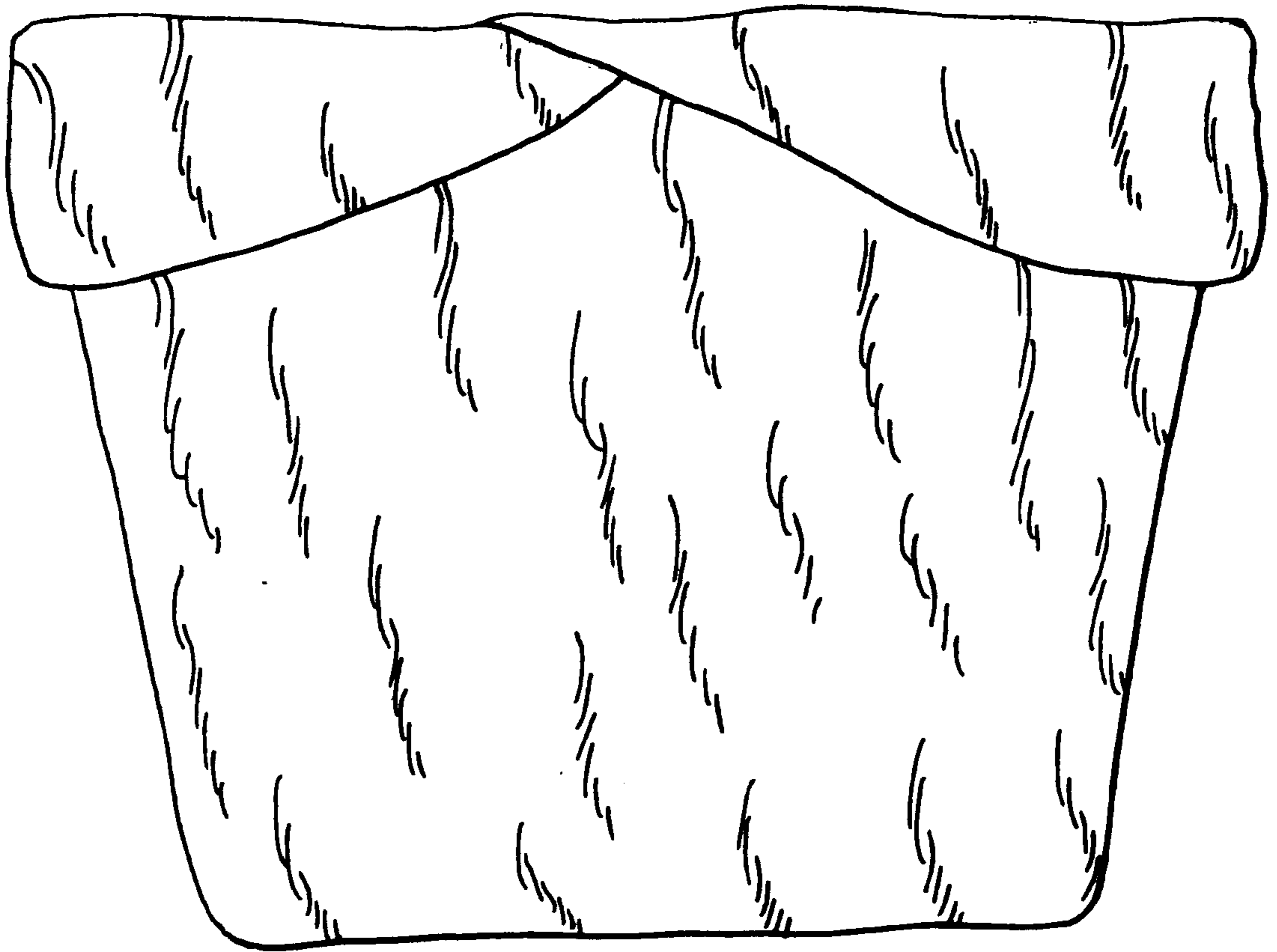
*Fig. 3*



*Fig. 4*



*Fig. 5*



*Fig. 6*