



US00D445240S

(12) **United States Design Patent**  
**Persson**

(10) **Patent No.:** **US D445,240 S**

(45) **Date of Patent:** **\*\* Jul. 24, 2001**

- (54) **HEADBAND FOR EARMUFFS**
- (75) Inventor: **Marie Elizabeth Persson**, Helsingborg (SE)
- (73) Assignee: **Daloz Safety AB**, Billesholm (SE)
- (\*\*) Term: **14 Years**
- (21) Appl. No.: **29/132,336**
- (22) Filed: **Nov. 8, 2000**
- (51) **LOC (7) Cl.** ..... **02-03**
- (52) **U.S. Cl.** ..... **D2/866; D2/894**
- (58) **Field of Search** ..... D2/865, 866, 891, D2/894; D28/41; D29/105, 106, 108, 112; D14/205; 2/209, 171.2

- 2,924,672 \* 2/1960 Cagen ..... 2/209
- 3,104,398 \* 9/1963 Palmaer ..... 2/209
- 5,068,923 \* 12/1991 Sioqvist ..... 2/209
- 5,809,573 \* 9/1998 Bary ..... 2/209

\* cited by examiner

*Primary Examiner*—Paula A. Mortimer  
(74) *Attorney, Agent, or Firm*—Greenblum & Bernstein, P.L.C.

(57) **CLAIM**

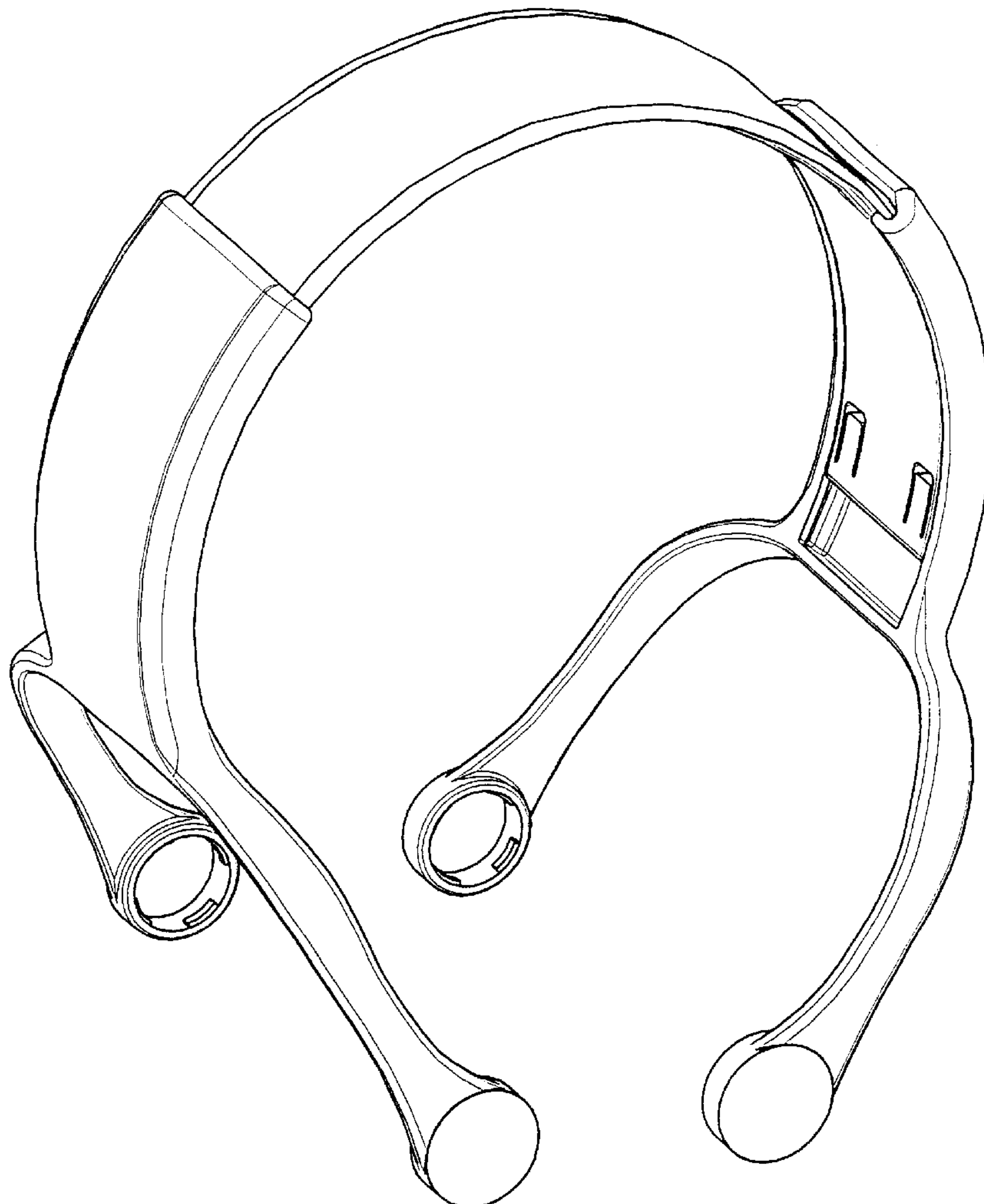
I claim the ornamental design for a headband for earmuffs, as shown and described.

**DESCRIPTION**

FIG. 1 is a top front perspective view, showing my new design;  
FIG. 2 is a left side view thereof;  
FIG. 3 is a bottom rear perspective view thereof;  
FIG. 4 is a top view thereof; and,  
FIG. 5 is a front view thereof.

- (56) **References Cited**  
U.S. PATENT DOCUMENTS  
D. 375,825 \* 11/1996 Whidden ..... D2/866  
2,420,245 \* 5/1947 Hurst ..... D29/112 X

**1 Claim, 5 Drawing Sheets**



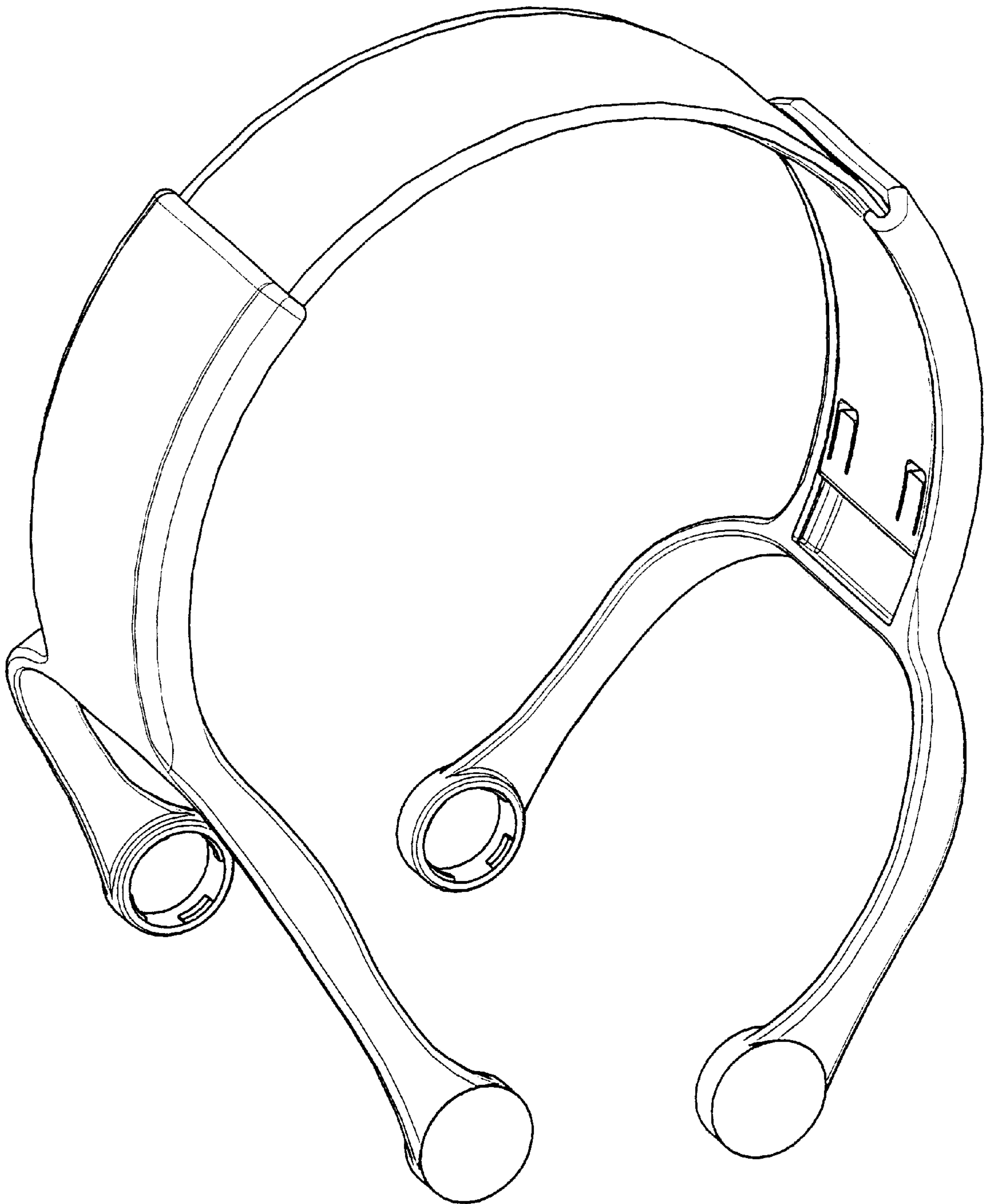


Fig. 1

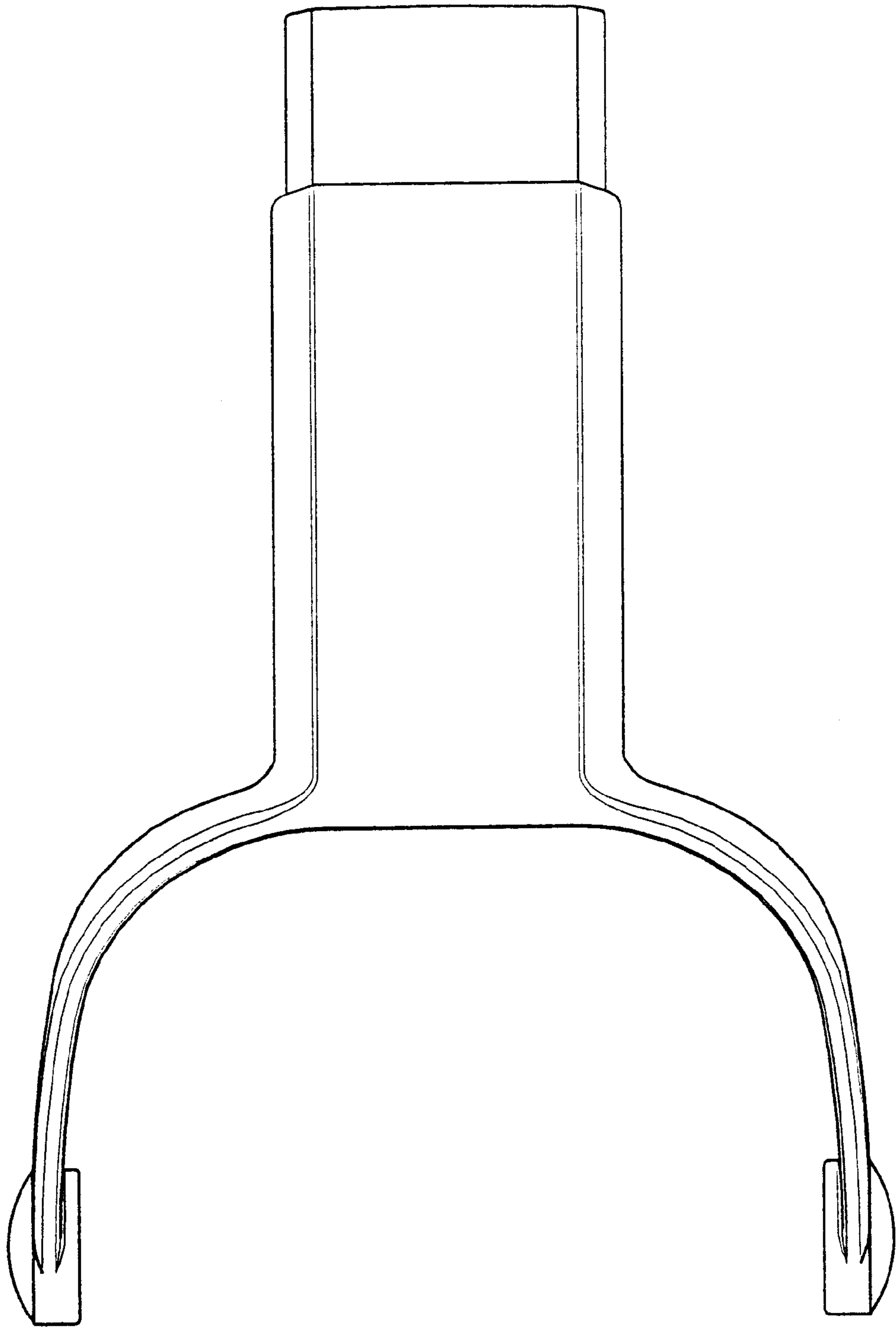


Fig. 2

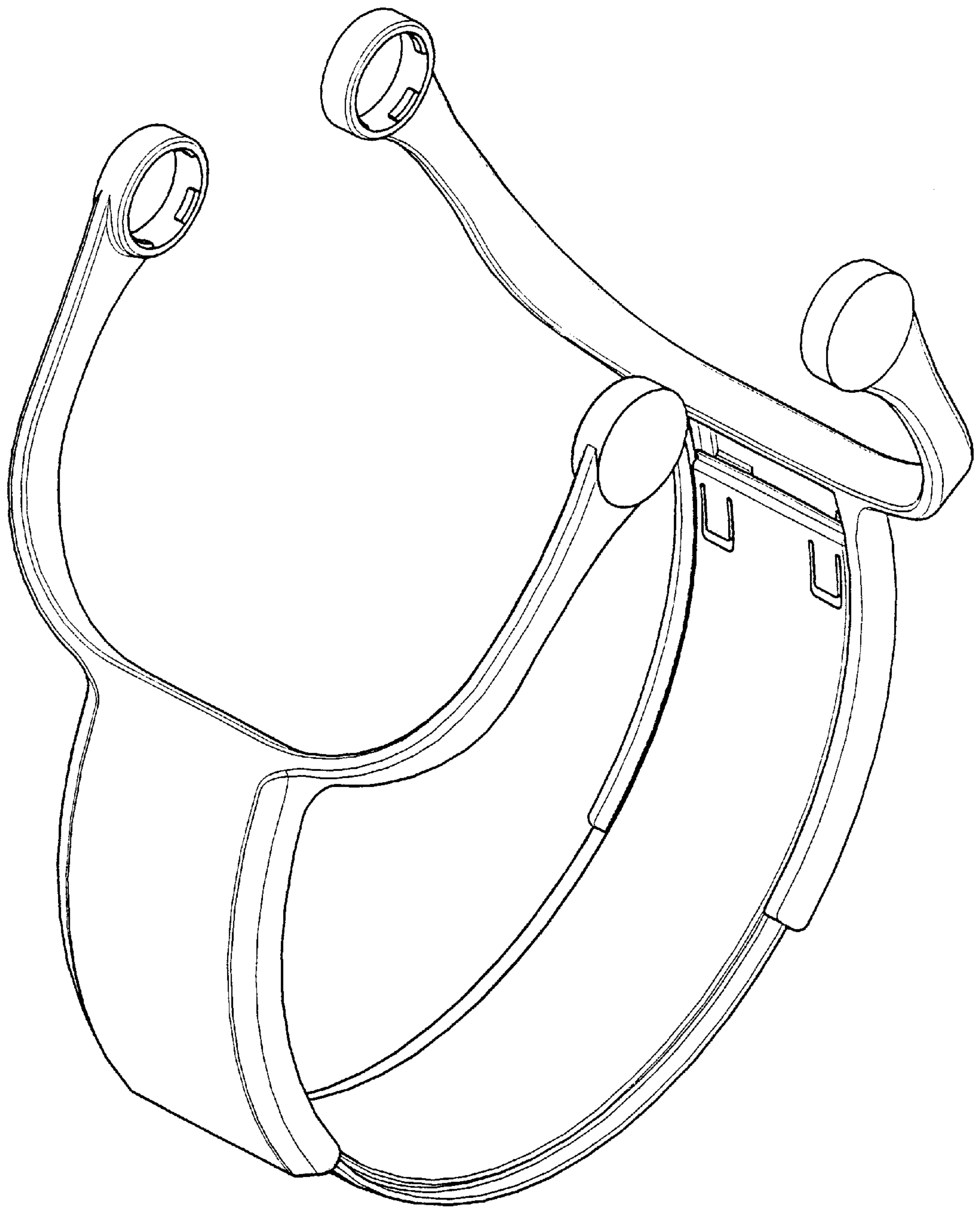


Fig. 3

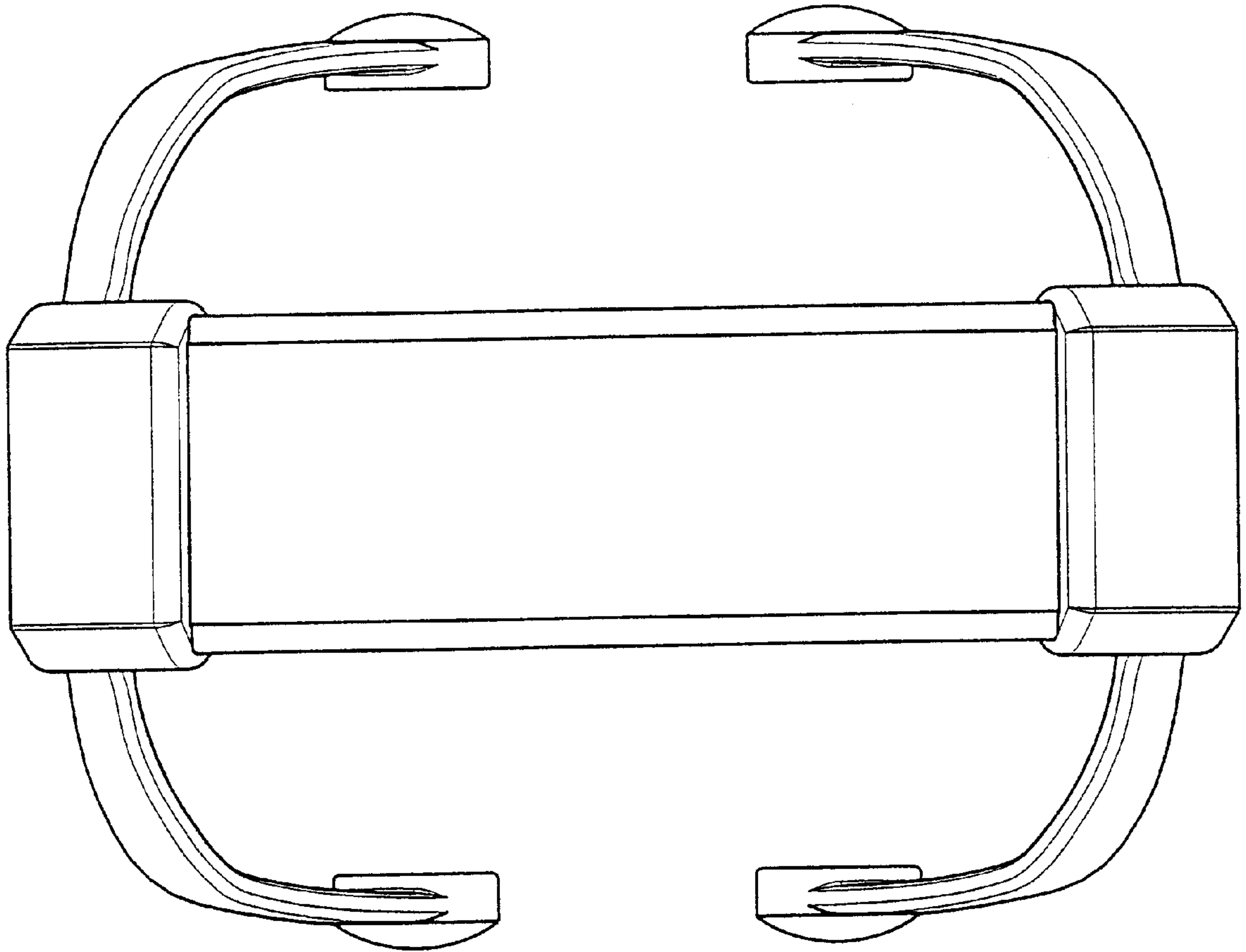


Fig. 4



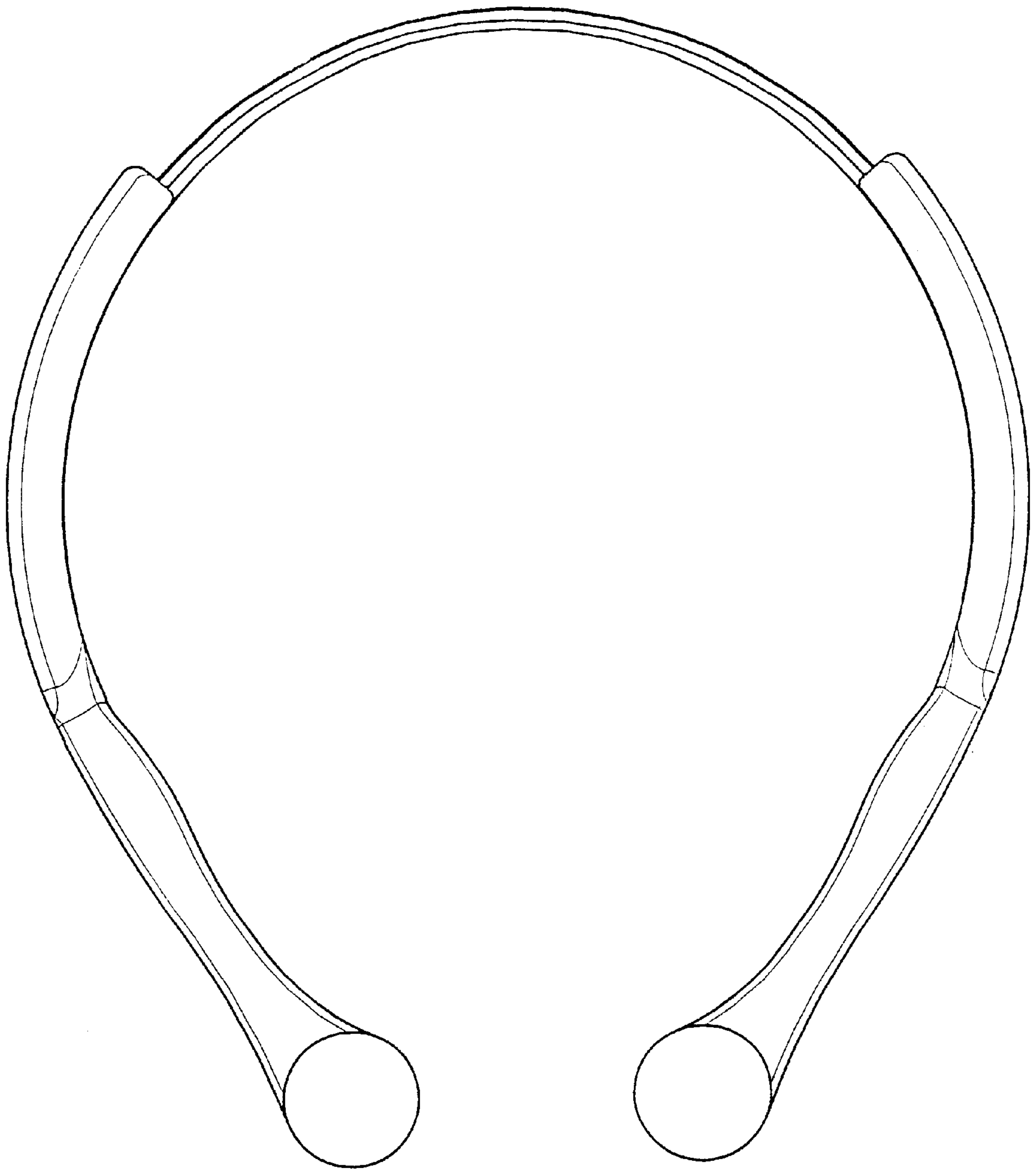


Fig. 5