



US00D445235S

(12) **United States Design Patent**
Gibson

(10) **Patent No.:** **US D445,235 S**

(45) **Date of Patent:** **** Jul. 17, 2001**

(54) **COIN RETRIEVAL DEVICE**

(76) Inventor: **Beatrice Gibson**, 2103 Manor Ct.,
Killeen, TX (US) 76541

(**) Term: **14 Years**

(21) Appl. No.: **29/136,275**

(22) Filed: **Jan. 26, 2001**

(51) **LOC (7) Cl.** **99-00**

(52) **U.S. Cl.** **D99/34**

(58) **Field of Search** D99/34; 453/60,
453/61, 62; 53/254, 212; D10/46.3; D8/10;
D7/691; 294/55

(56) **References Cited**

U.S. PATENT DOCUMENTS

- D. 283,062 * 3/1986 Lordi D30/162
- D. 301,930 * 6/1989 Cantu D99/34
- D. 308,277 * 5/1990 Walker D99/34
- D. 343,940 * 2/1994 Glass D99/34

- D. 359,892 * 7/1995 Isbell, Sr. D8/10
- D. 370,421 * 6/1996 Tucker D10/46.3
- 3,163,170 * 12/1964 Gates 453/61

* cited by examiner

Primary Examiner—Paula A. Mortimer

(74) *Attorney, Agent, or Firm*—Goldstein Law Offices P.C

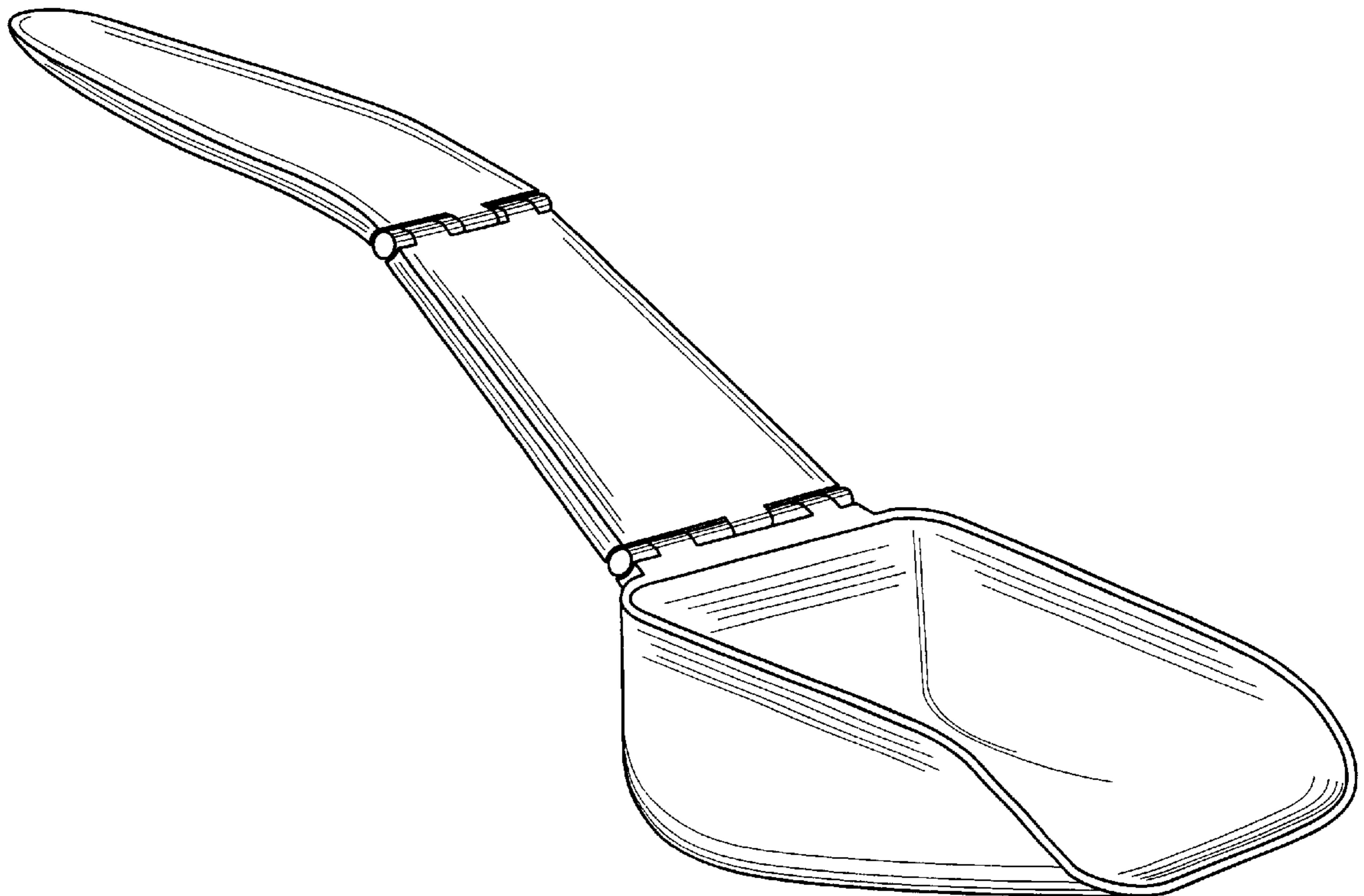
(57) **CLAIM**

The ornamental design for a coin retrieval device, as shown and described.

DESCRIPTION

FIG. 1 is a perspective view of a coin retrieval device;
FIG. 2 is a front elevational view thereof;
FIG. 3 is a rear elevational view thereof;
FIG. 4 is a left side elevational view thereof;
FIG. 5 is a right side elevational view thereof;
FIG. 6 is a top plan view of the coin retrieval device; and,
FIG. 7 is a bottom plan view thereof.

1 Claim, 4 Drawing Sheets



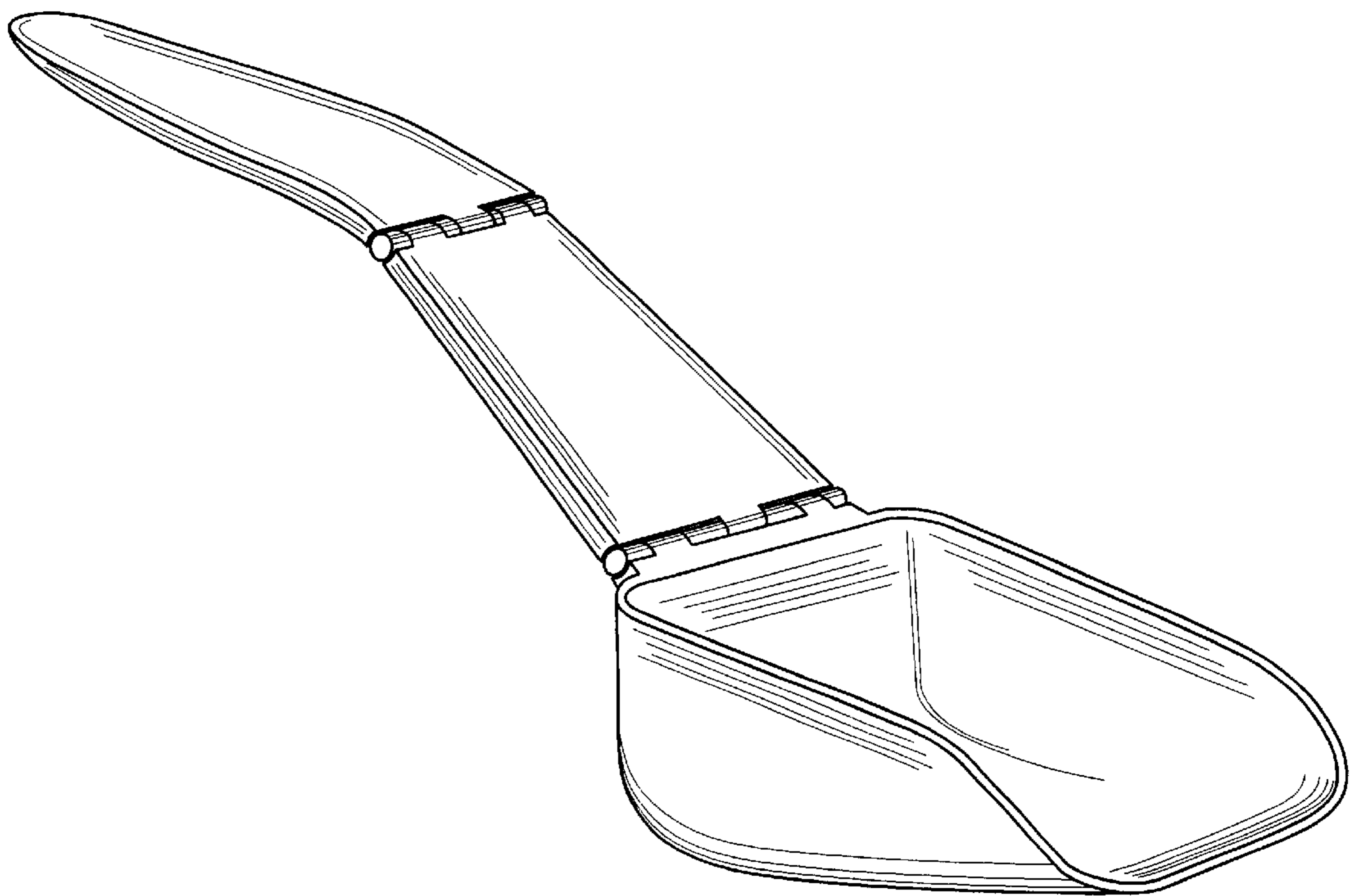


FIG. 1

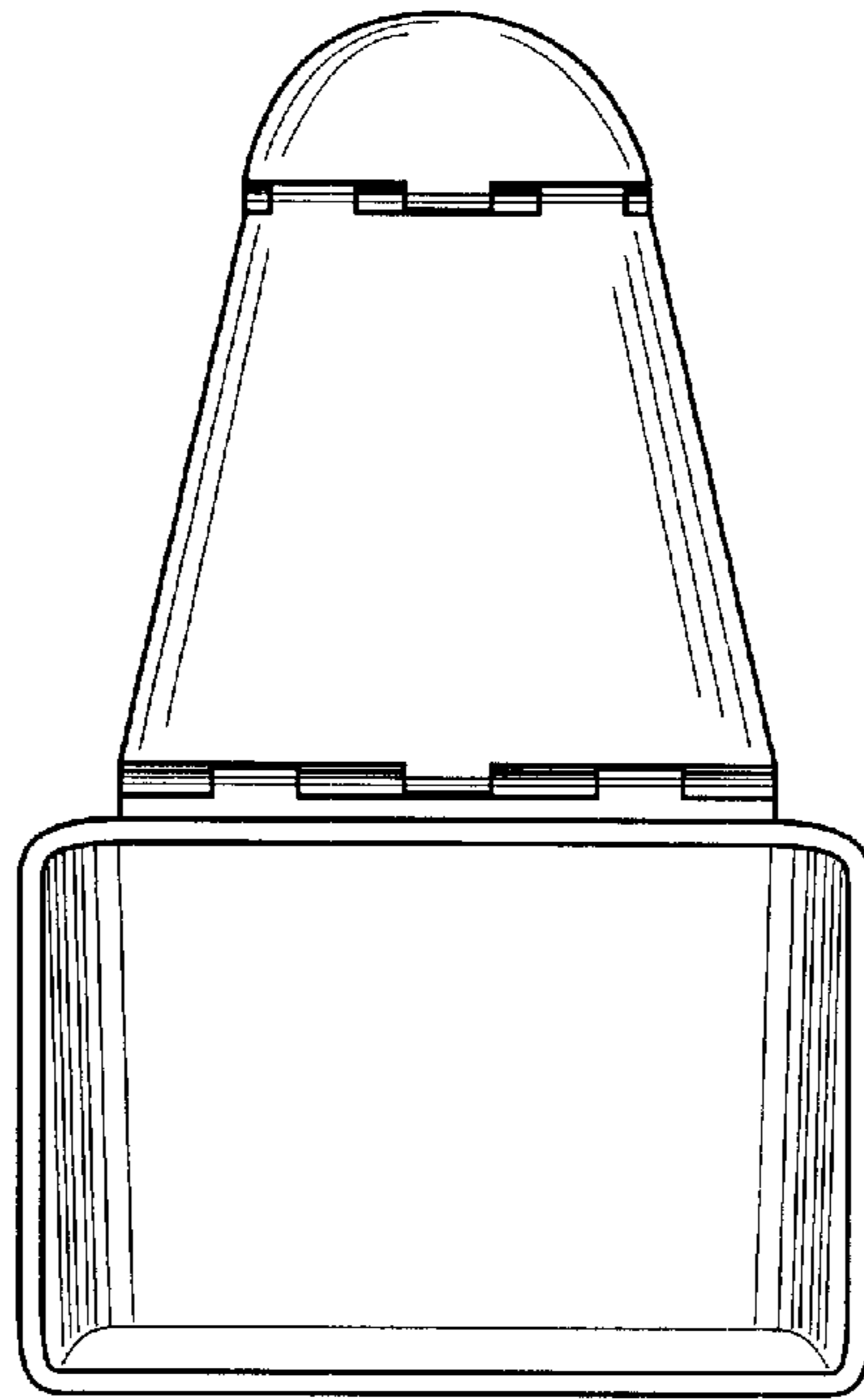


FIG. 2

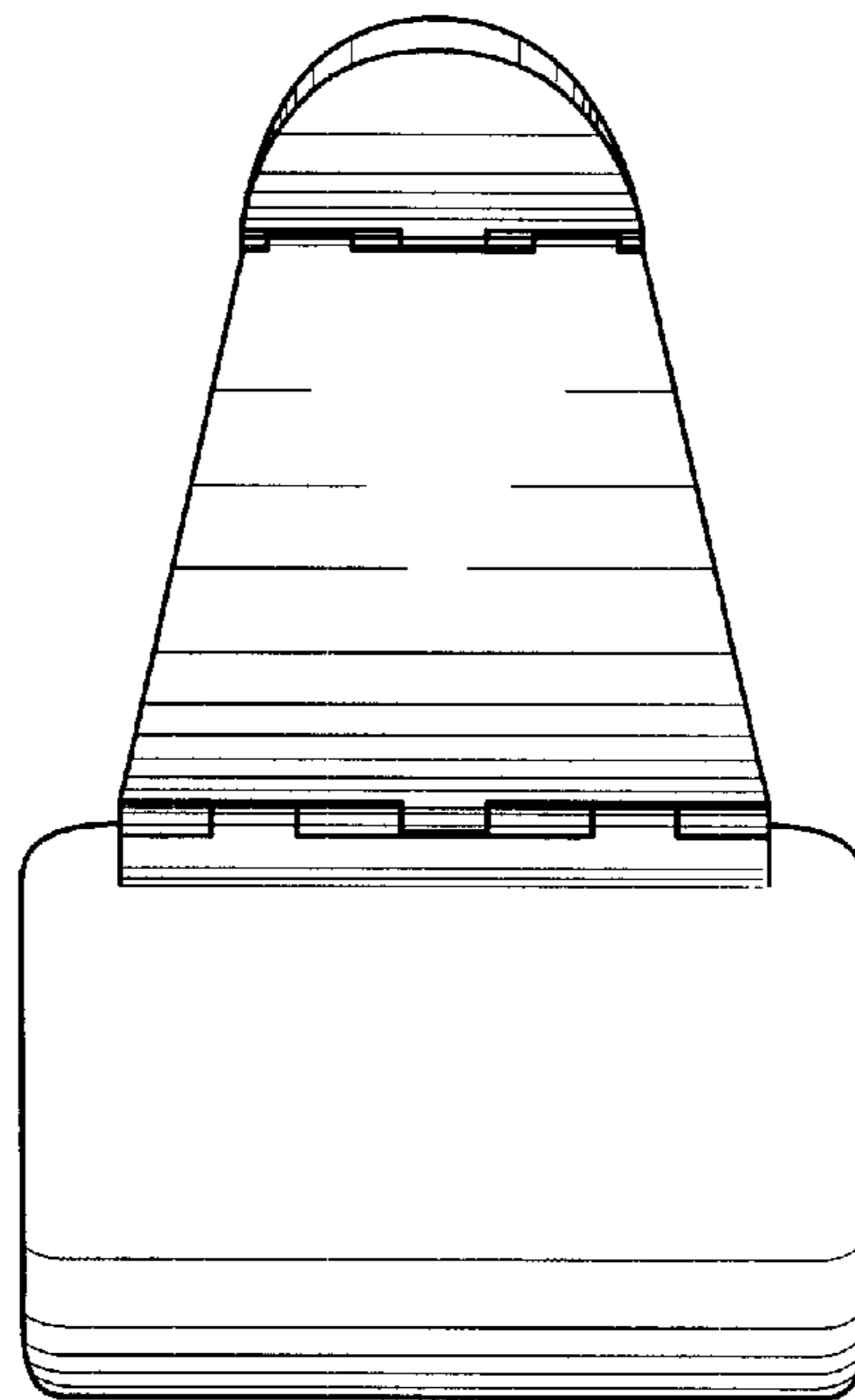


FIG. 3

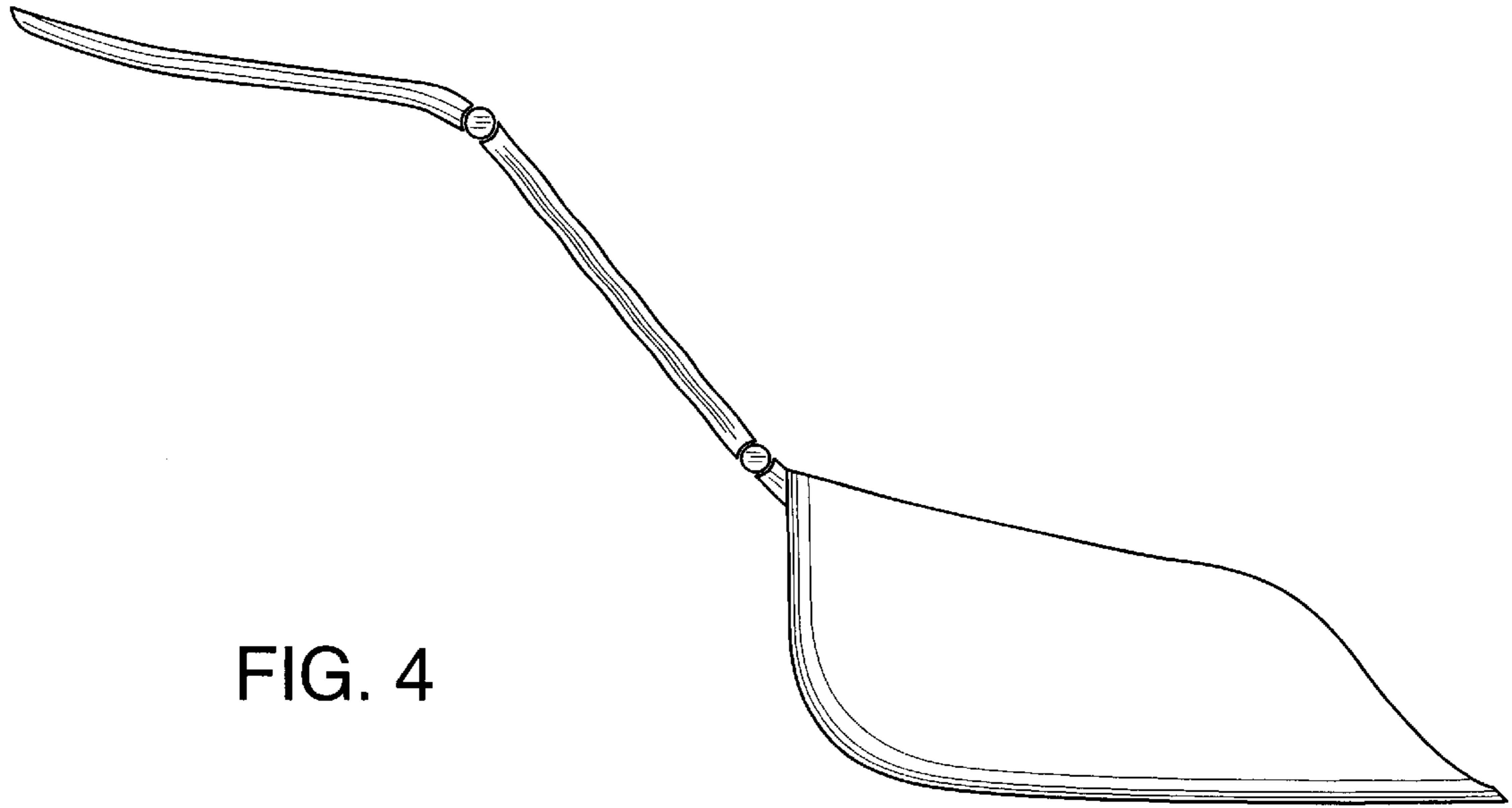


FIG. 4

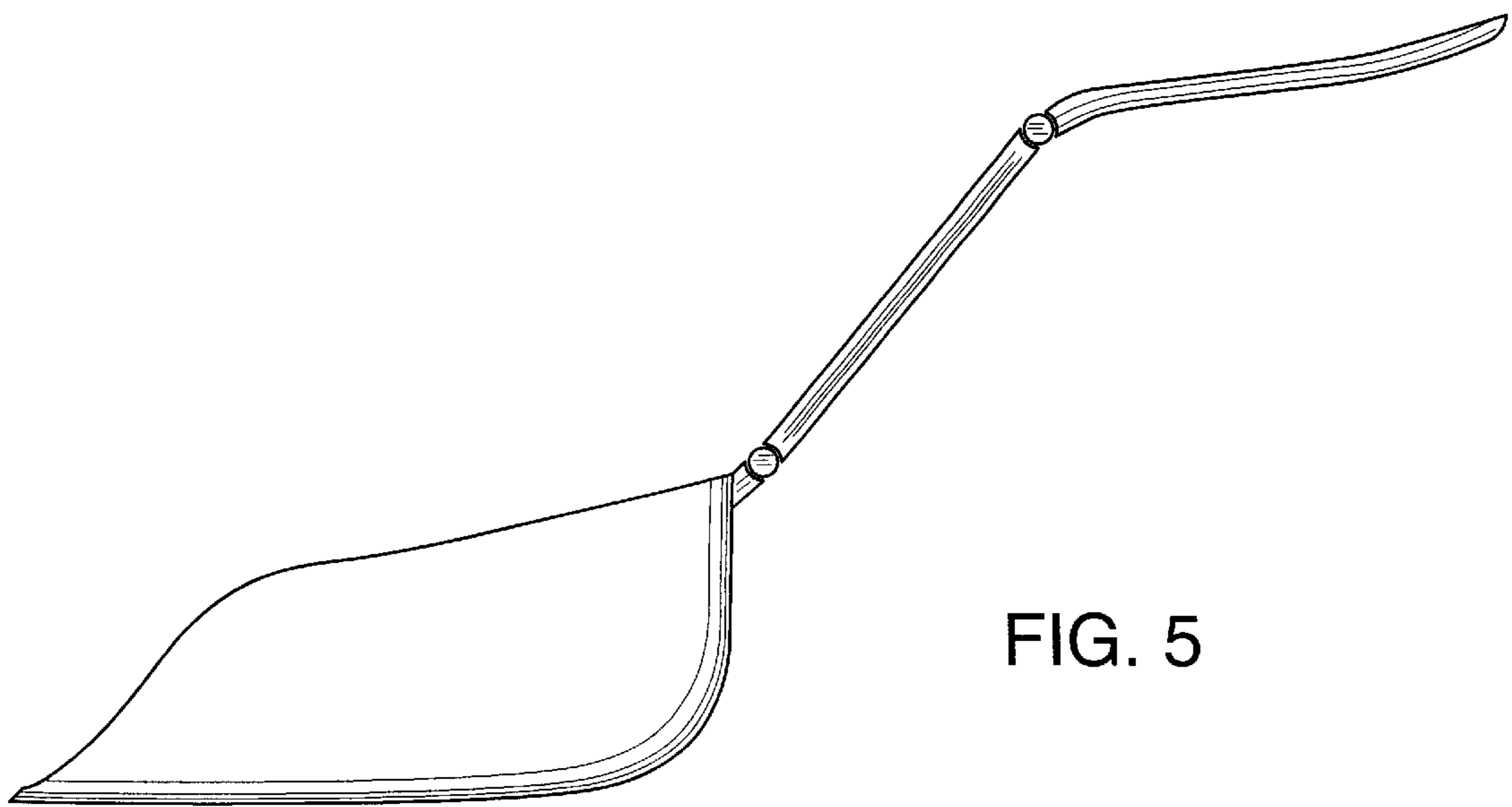


FIG. 5

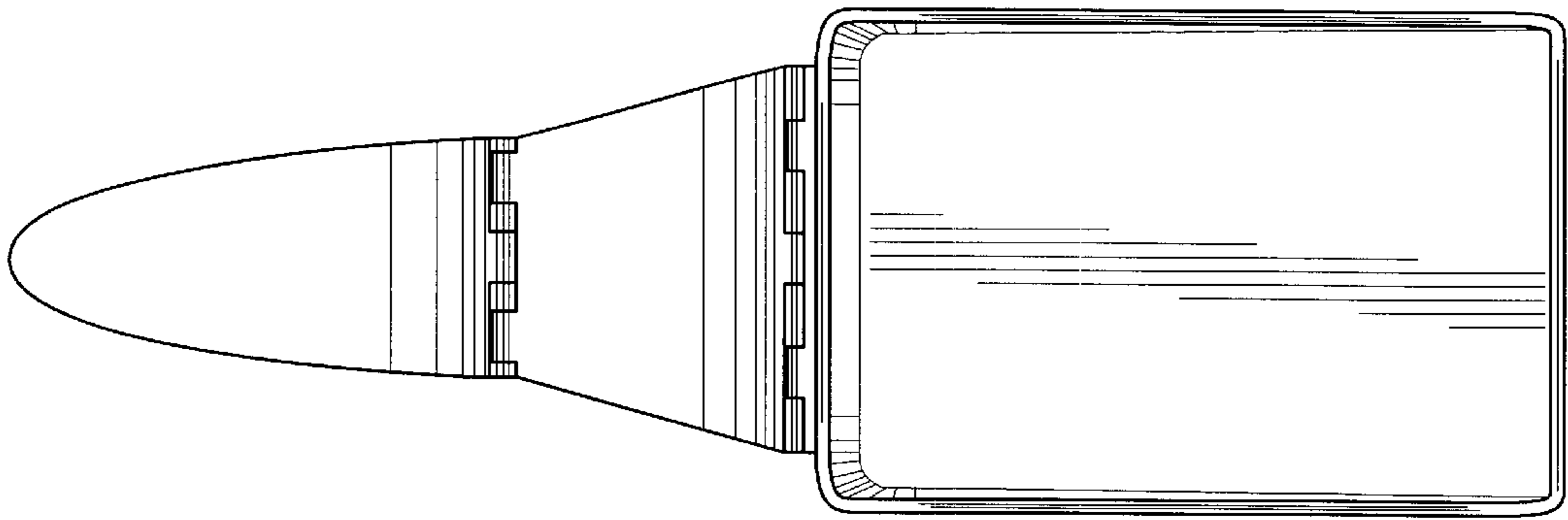


FIG. 6

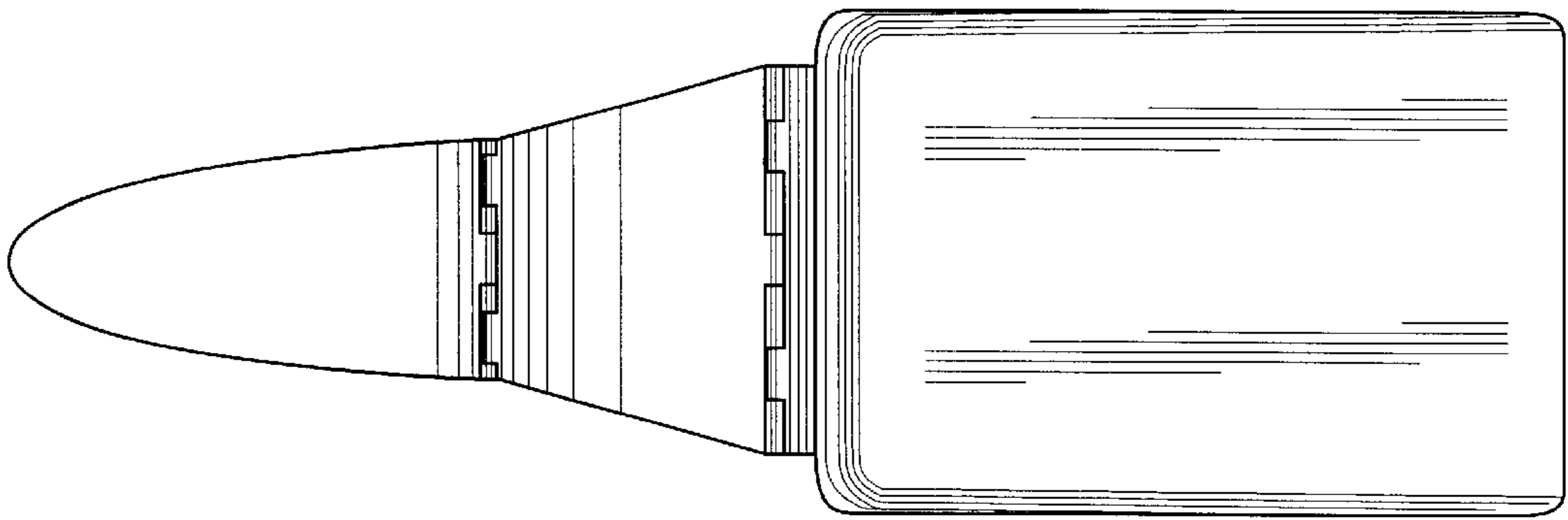


FIG. 7