



US00D445230S

(12) **United States Design Patent**
Deal et al.

(10) **Patent No.:**

US D445,230 S

(45) **Date of Patent:**

**** Jul. 17, 2001**

(54) **MINIATURE SHOPPING CART**

3,245,498 4/1966 Stanley et al. .

3,375,018 3/1968 Close .

(75) Inventors: **Alan W. Deal**, Claremont; **Joe Whisnant**, Newton; **Jerry T. Collins**, Hickory, all of NC (US)

4,118,044 10/1978 Celms .

4,726,596 2/1988 Ulmer .

5,836,596 11/1998 Wanzl .

FOREIGN PATENT DOCUMENTS

(73) Assignee: **Technibilt, Ltd.**, Newton, NC (US)

36 33 140 A1 3/1988 (DE) .

(**) Term: **14 Years**

2 676 417 11/1992 (FR) .

(21) Appl. No.: **29/129,616**

Primary Examiner—Kay H. Chin

(22) Filed: **Sep. 18, 2000**

(74) *Attorney, Agent, or Firm*—Carter & Schnedler, P.A.

(51) **LOC (7) Cl.** **12-02**

(57) **CLAIM**

(52) **U.S. Cl.** **D34/21; D34/19**

The ornamental design for a miniature shopping cart, as shown and described.

(58) **Field of Search** ... D34/12-27; 280/33.991-33.997, 280/47.35, 47.38

DESCRIPTION

(56) **References Cited**

FIG. 1 is a perspective view of a miniature shopping cart showing our new design;

U.S. PATENT DOCUMENTS

FIG. 2 is a front view thereof;

D. 247,953 5/1978 Rehrig .

FIG. 3 is a rear view thereof;

D. 348,549 7/1994 Trubiano .

FIG. 4 is a right side elevational view thereof;

D. 354,384 1/1995 Trubiano .

FIG. 5 is a left side elevational view thereof;

2,943,707 7/1960 Ramlose .

FIG. 6 is a top plan view thereof; and,

3,036,722 5/1962 Sharaway .

FIG. 7 is a bottom plan view thereof.

3,039,564 6/1962 Shaukis .

3,083,791 4/1963 Shoffner .

1 Claim, 6 Drawing Sheets





Fig. 1

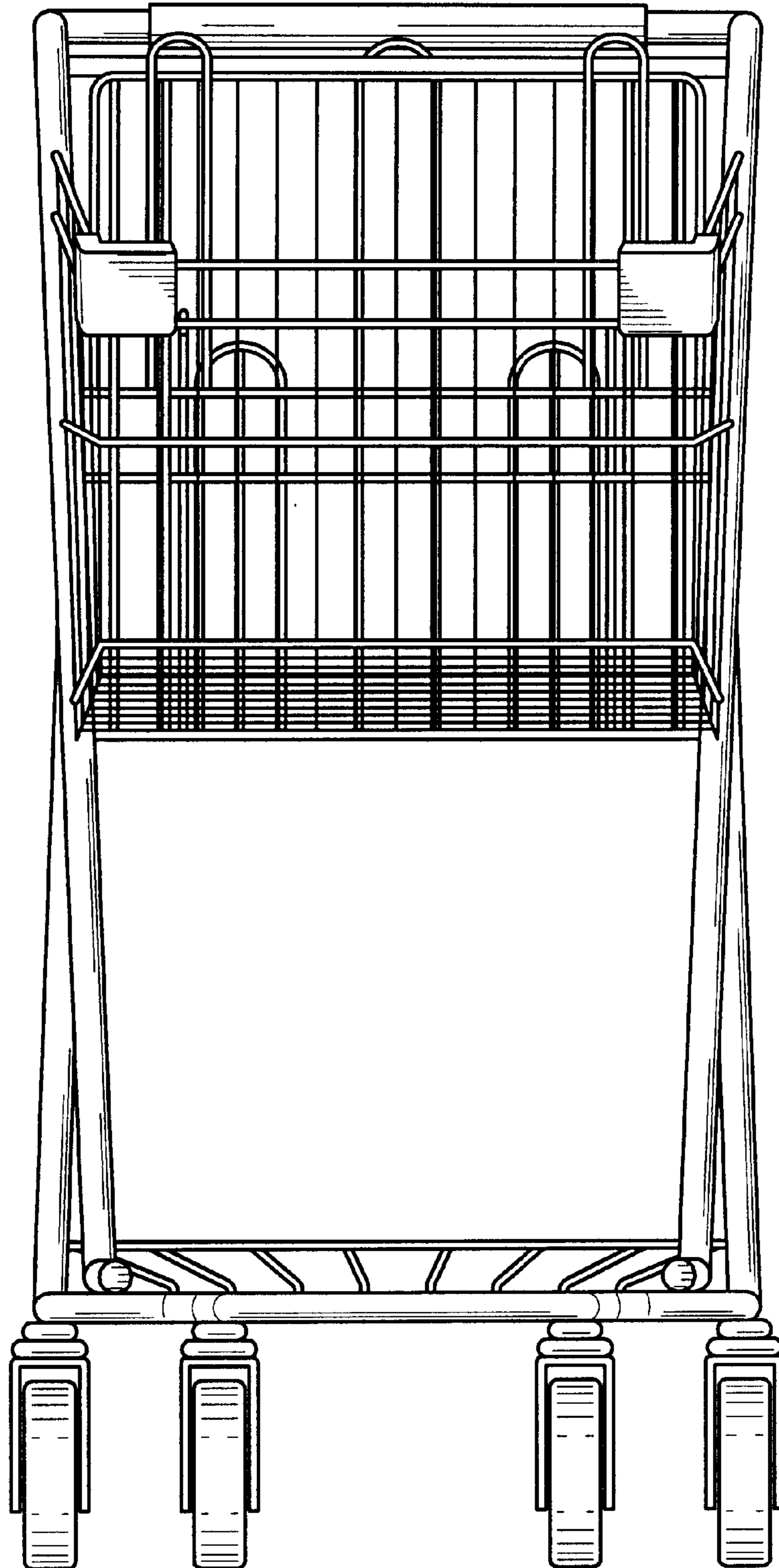


Fig. 2

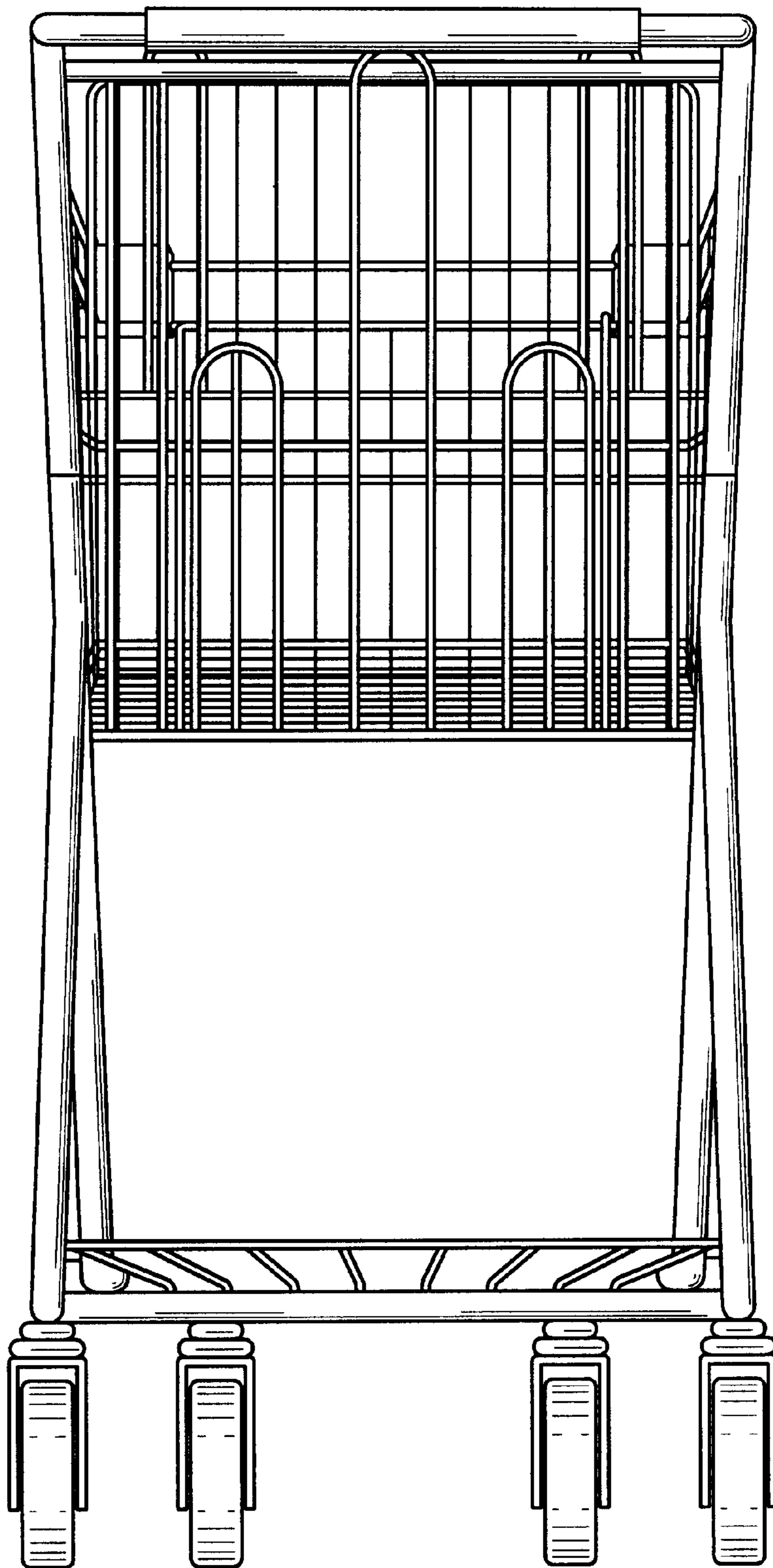


Fig. 3

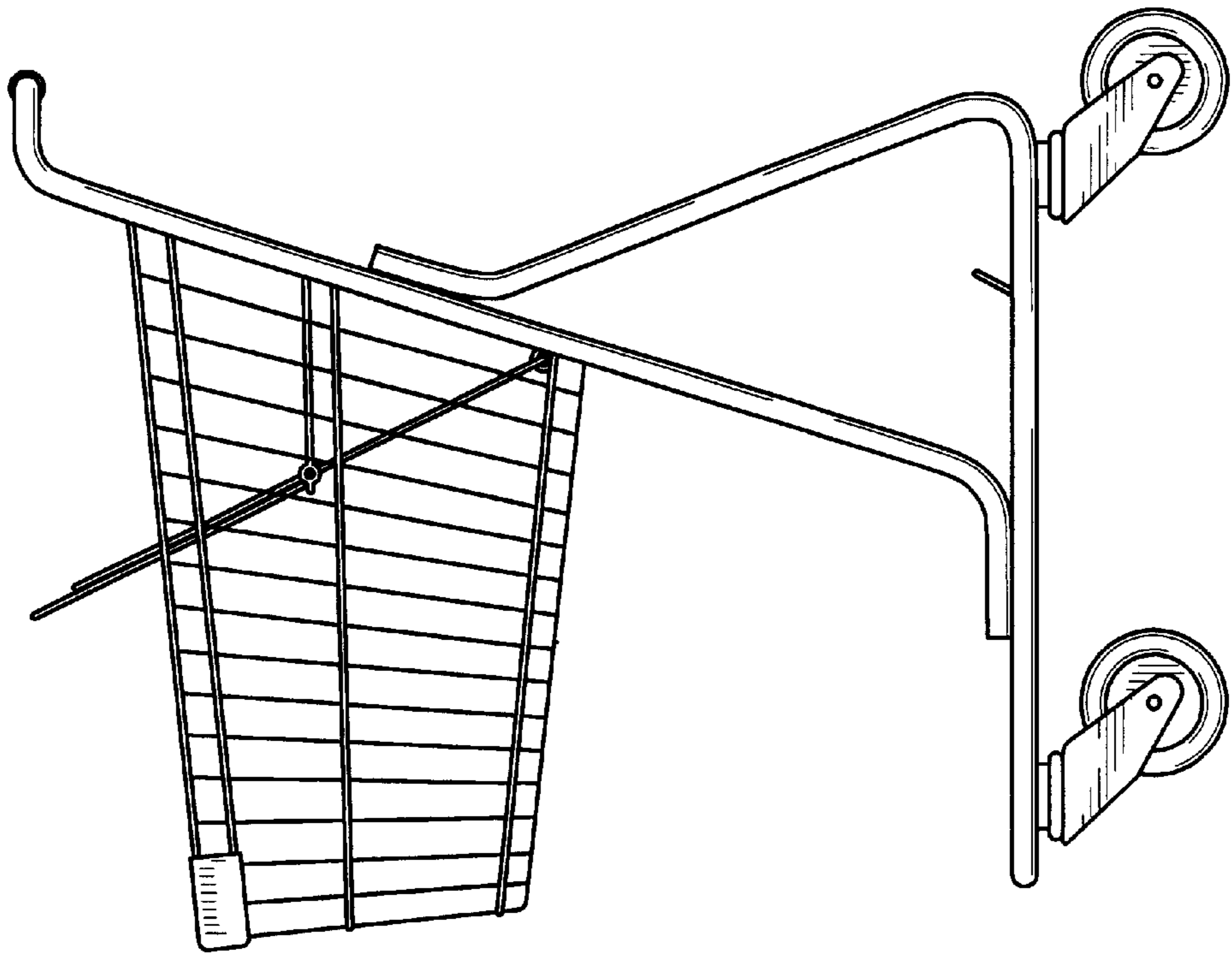


Fig. 5

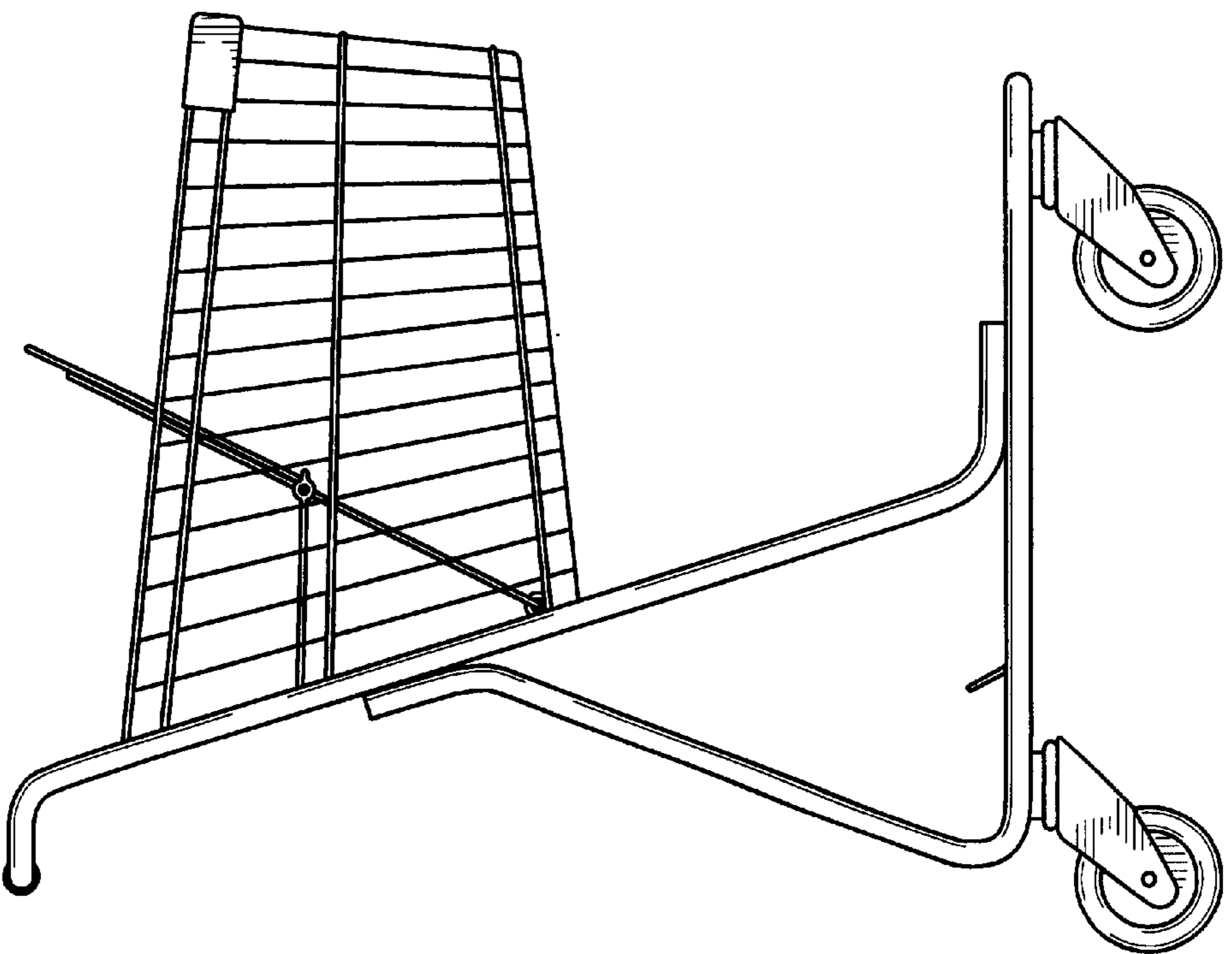


Fig. 4

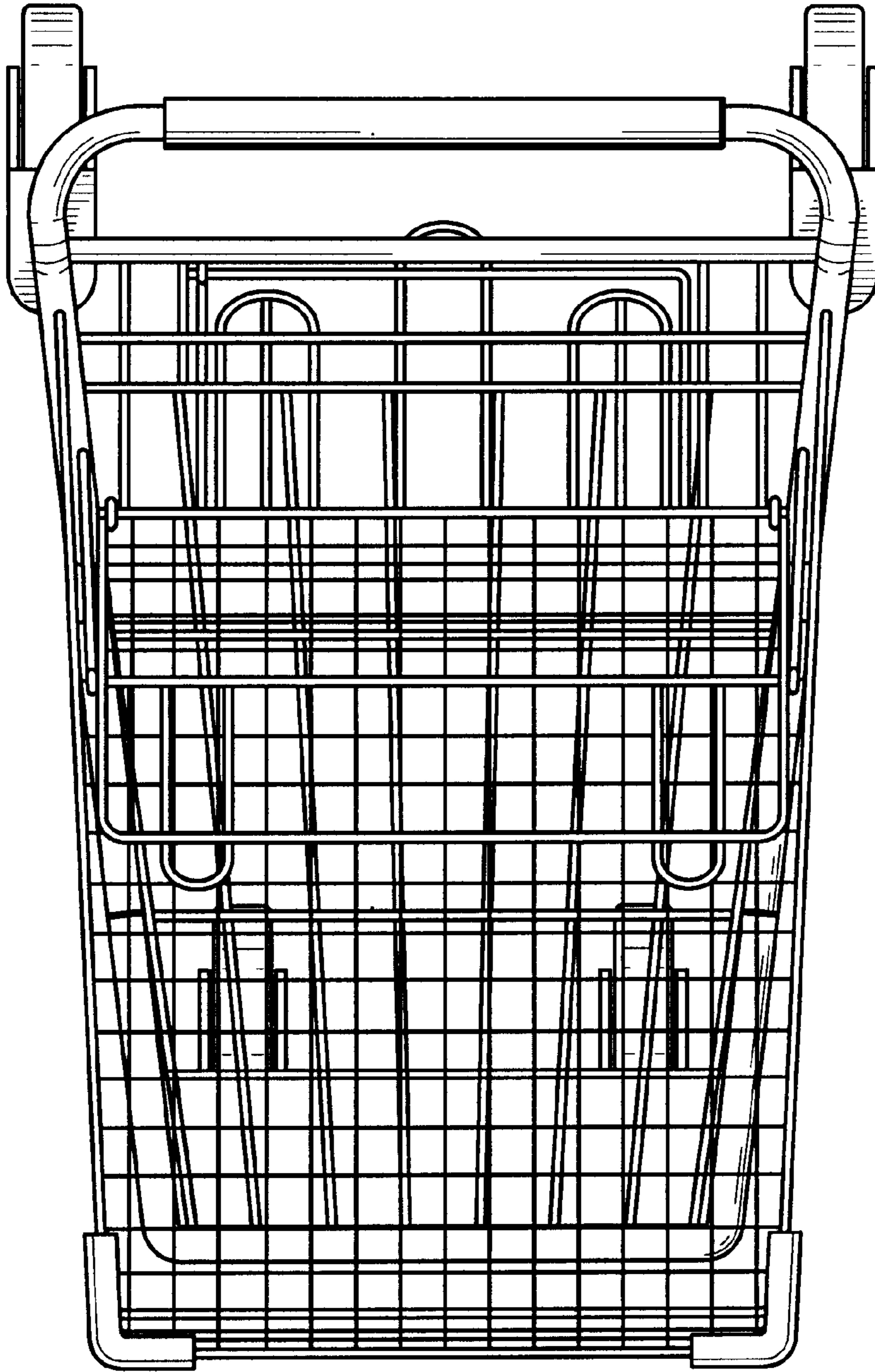


Fig. 6

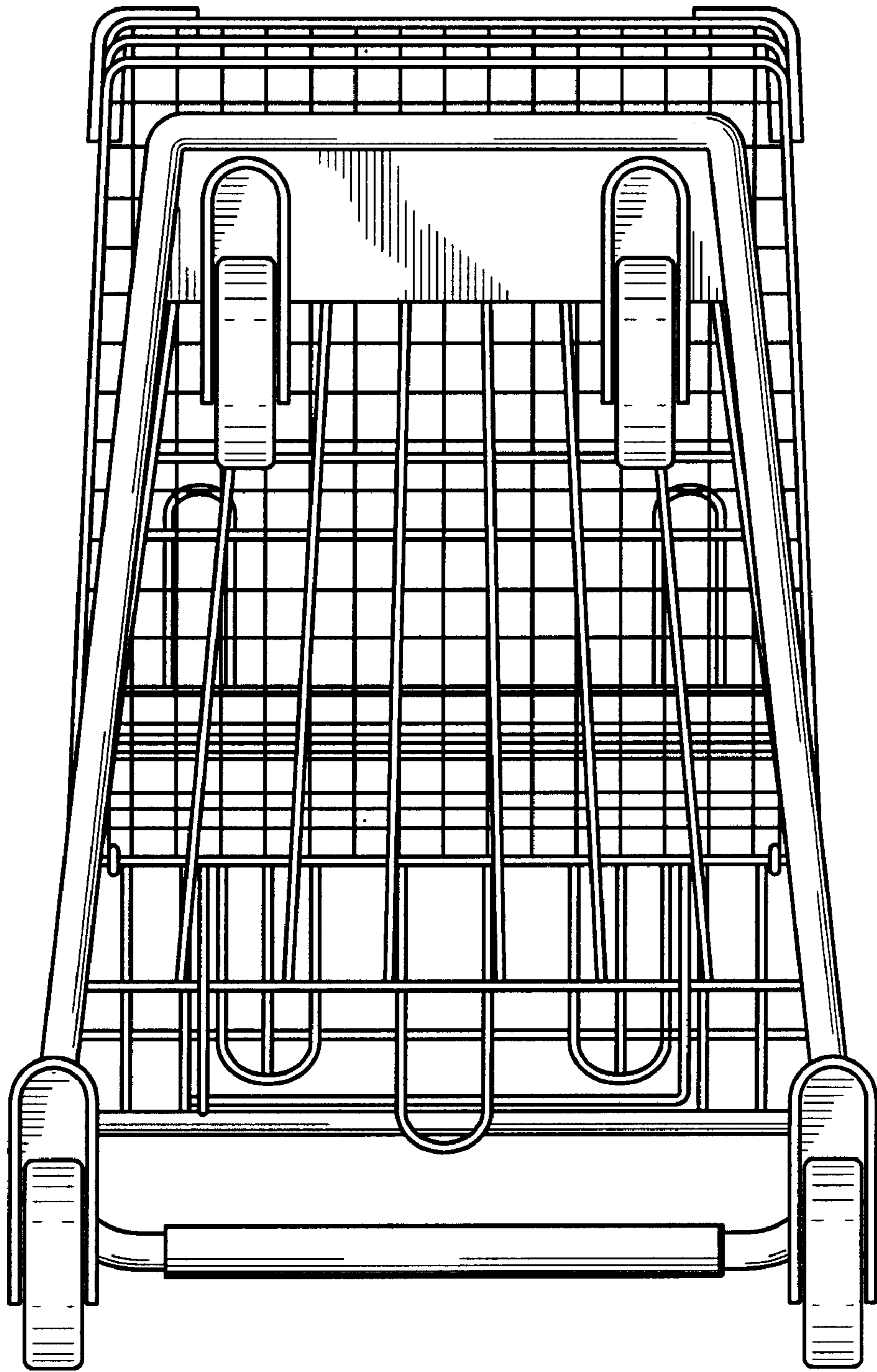


Fig. 7