



US00D445229S

(12) **United States Design Patent**
Stravitz et al.

(10) **Patent No.:** **US D445,229 S**

(45) **Date of Patent:** **** Jul. 17, 2001**

(54) **COLLAPSIBLE CART**

5,738,365 * 4/1998 McCarthy 280/651

(76) Inventors: **David M. Stravitz**, 16 Park Ave. -
Suite 14A, New York, NY (US) 10016;
David Harris, S3335A Gillem Rd.,
Baraboo, WI (US) 53913; **Clint Kolda**,
113 Vista Dr., Cottage Grove, WI (US)
53527

* cited by examiner

Primary Examiner—Kay H. Chin
(74) *Attorney, Agent, or Firm*—Frishauf, Holtz, Goodman,
Langer & Chick, P.C.

(**) **Term:** **14 Years**

(57) **CLAIM**

The ornamental design for a collapsible cart, as shown and described.

(21) **Appl. No.:** **29/125,304**

DESCRIPTION

(22) **Filed:** **Jun. 21, 2000**

(51) **LOC (7) Cl.** **12-02**

(52) **U.S. Cl.** **D34/17; D34/12**

(58) **Field of Search** D34/12-27; 280/651,
280/641, 79.11, 79.3, 42

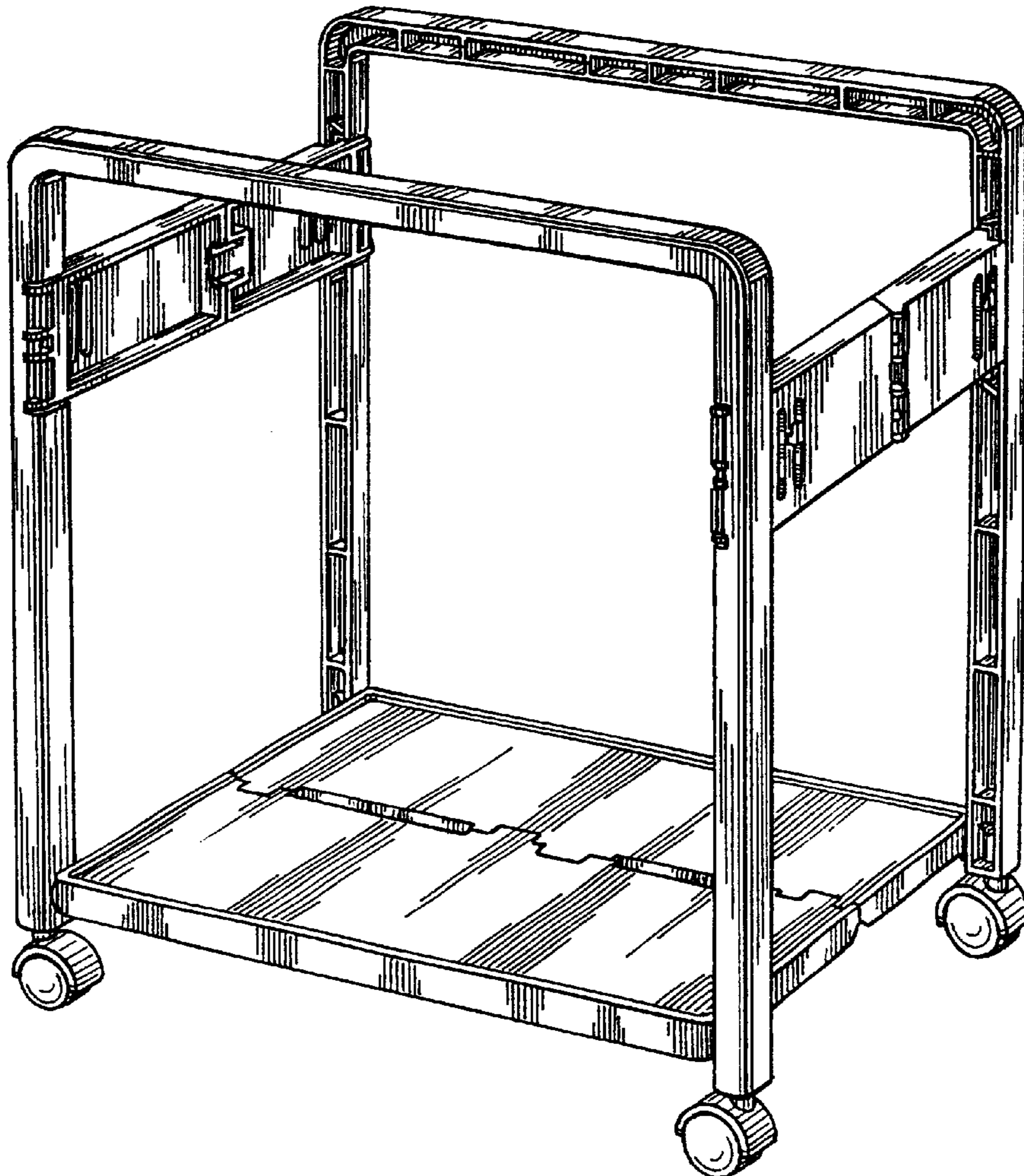
FIG. 1 is a front, top, right side perspective view of a collapsible cart showing our new design;
FIG. 2 is a front elevational view thereof, the rear elevational view being identical;
FIG. 3 is a right side elevational view thereof, the left side elevational view being identical;
FIG. 4 is a top plan view thereof; and,
FIG. 5 is a bottom plan view thereof.

(56) **References Cited**

U.S. PATENT DOCUMENTS

4,740,010 * 4/1988 Moskovitz 280/641

1 Claim, 3 Drawing Sheets



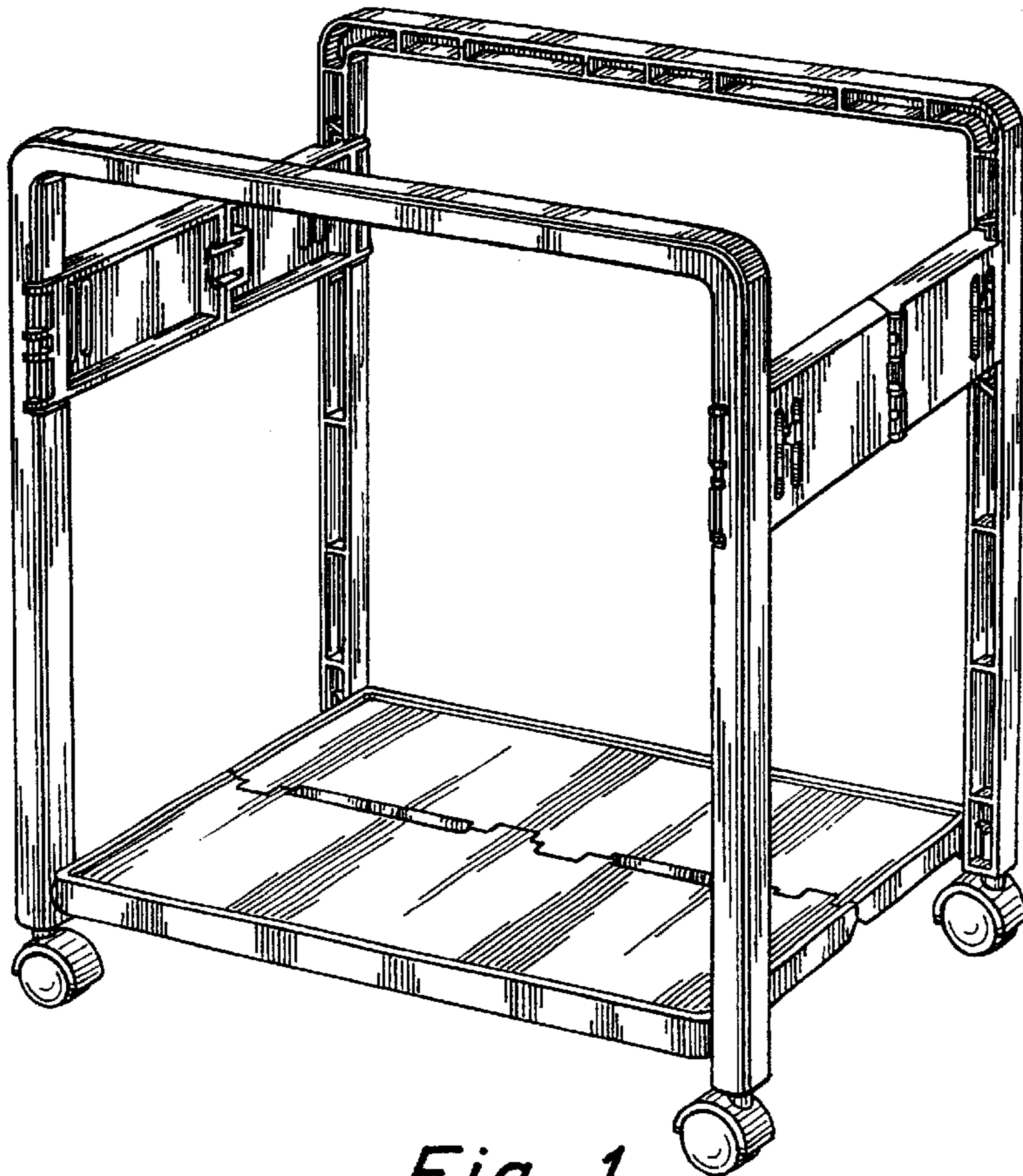


Fig. 1

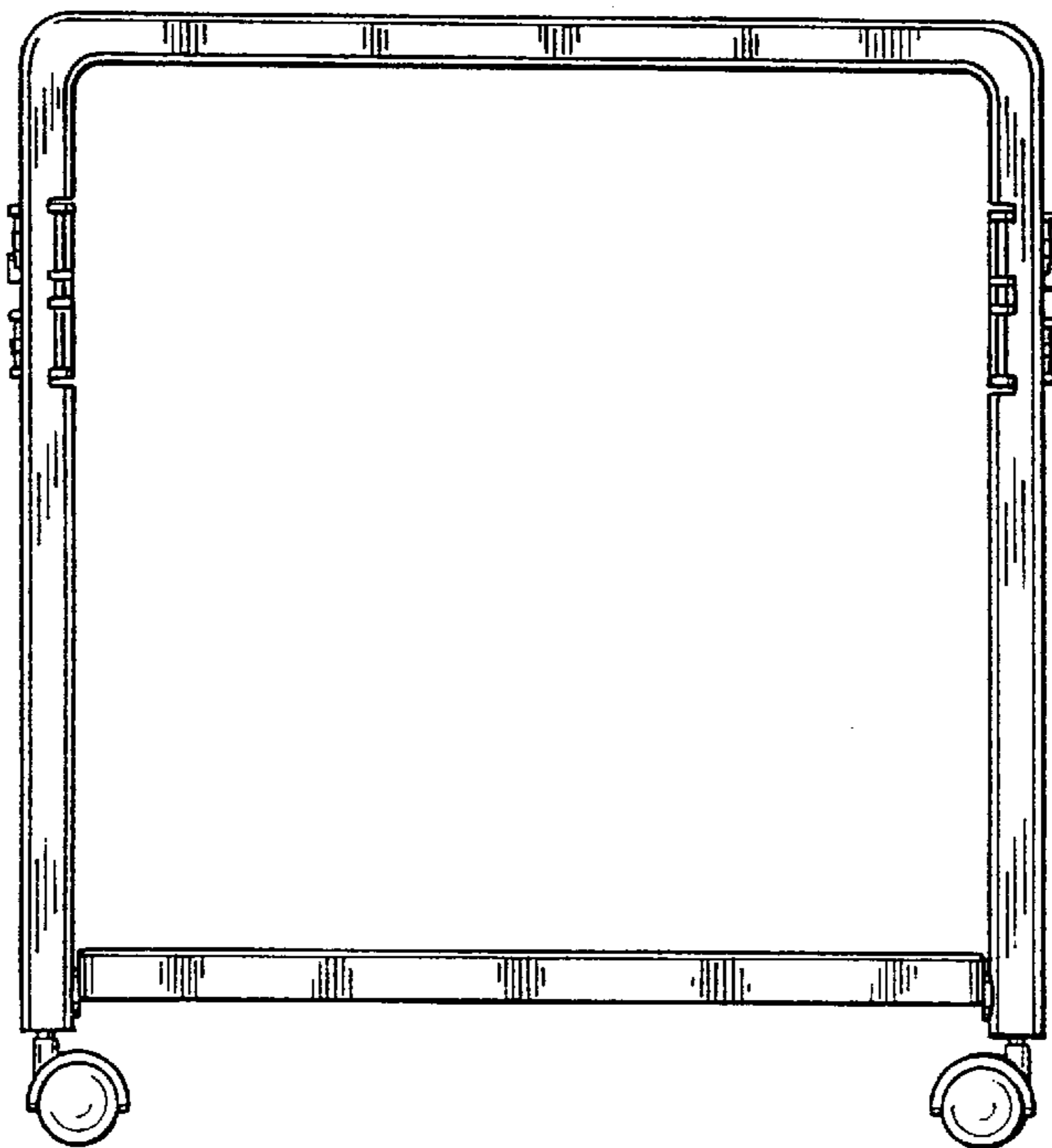


Fig. 2

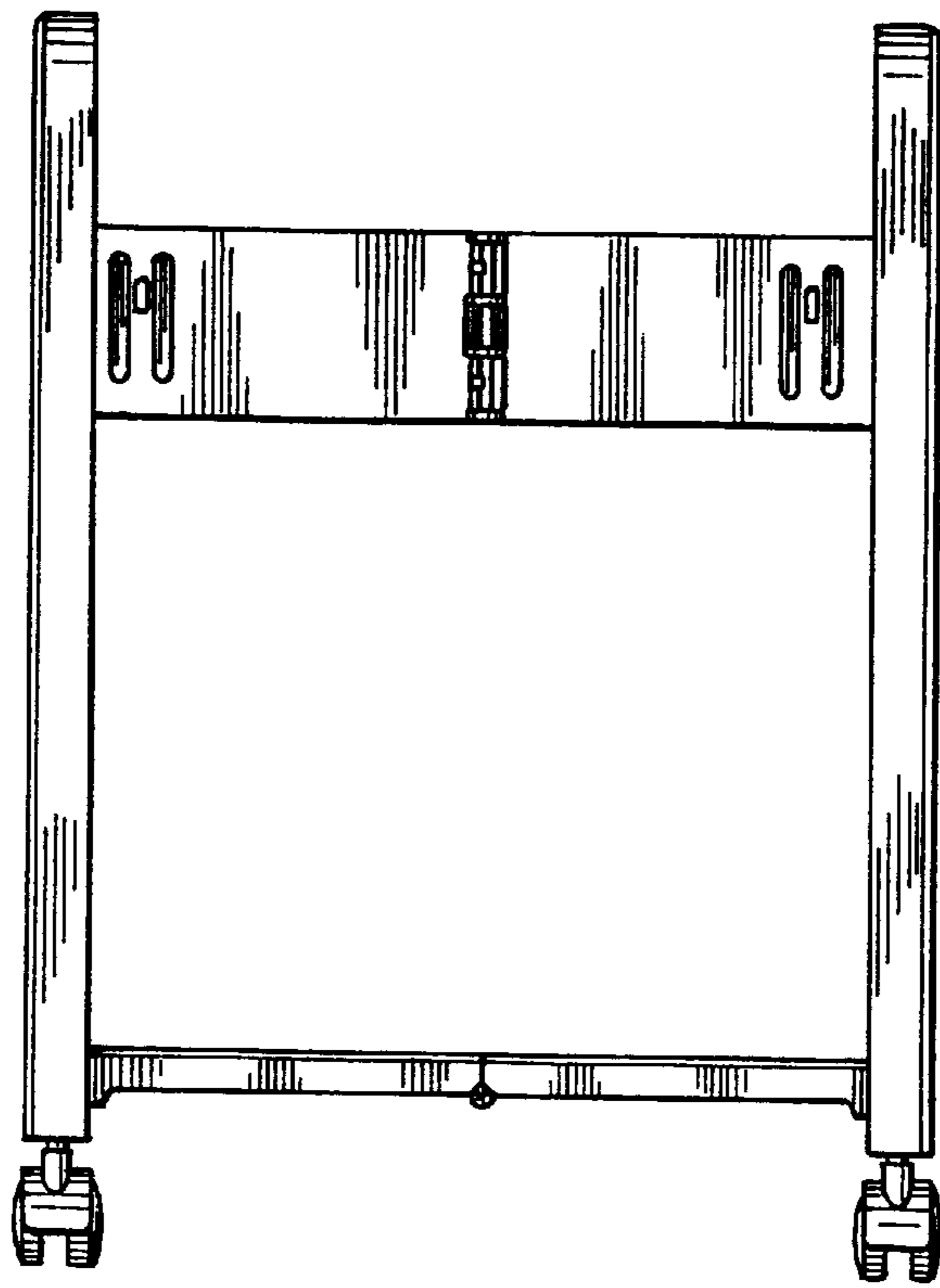


Fig. 3

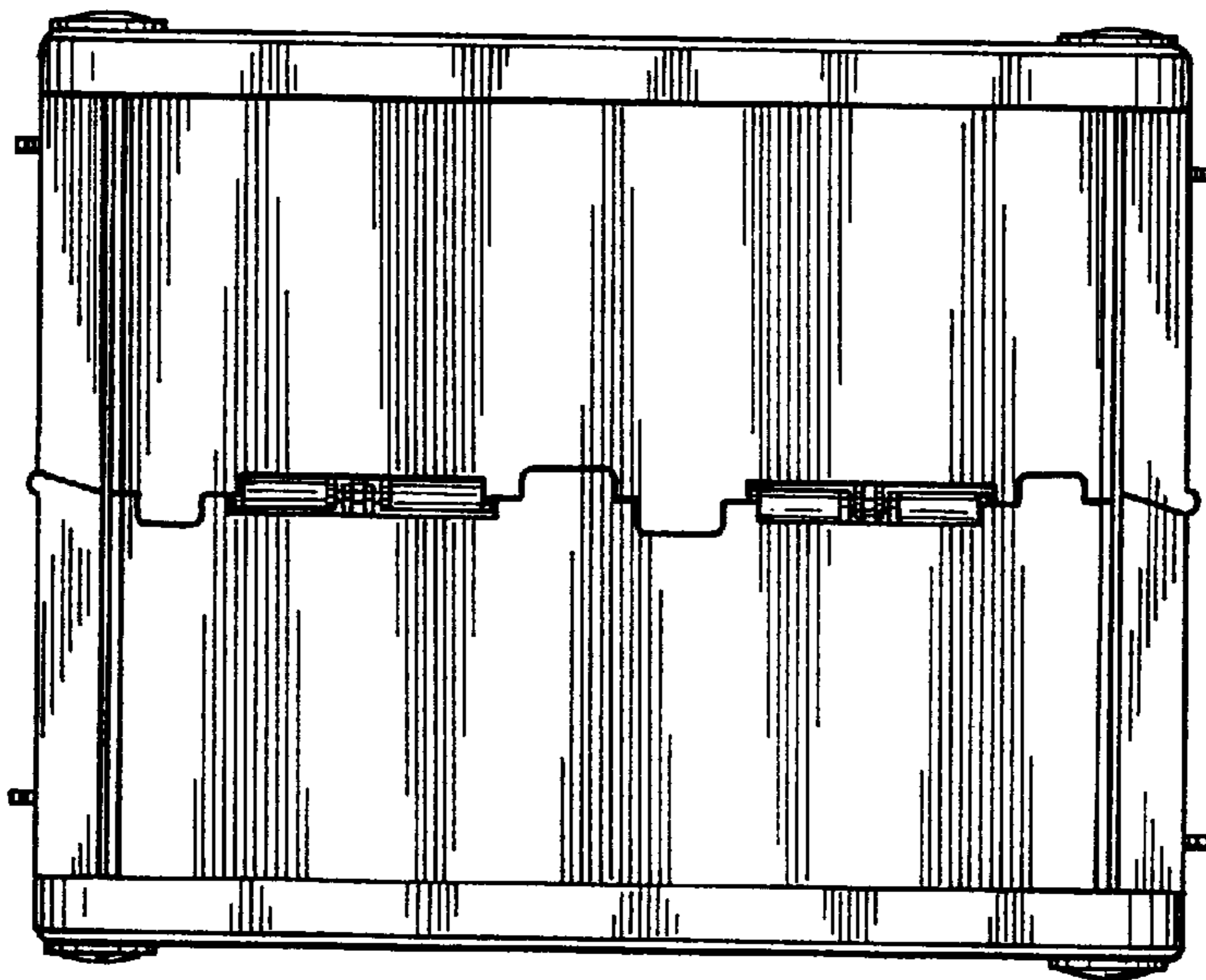


Fig. 4

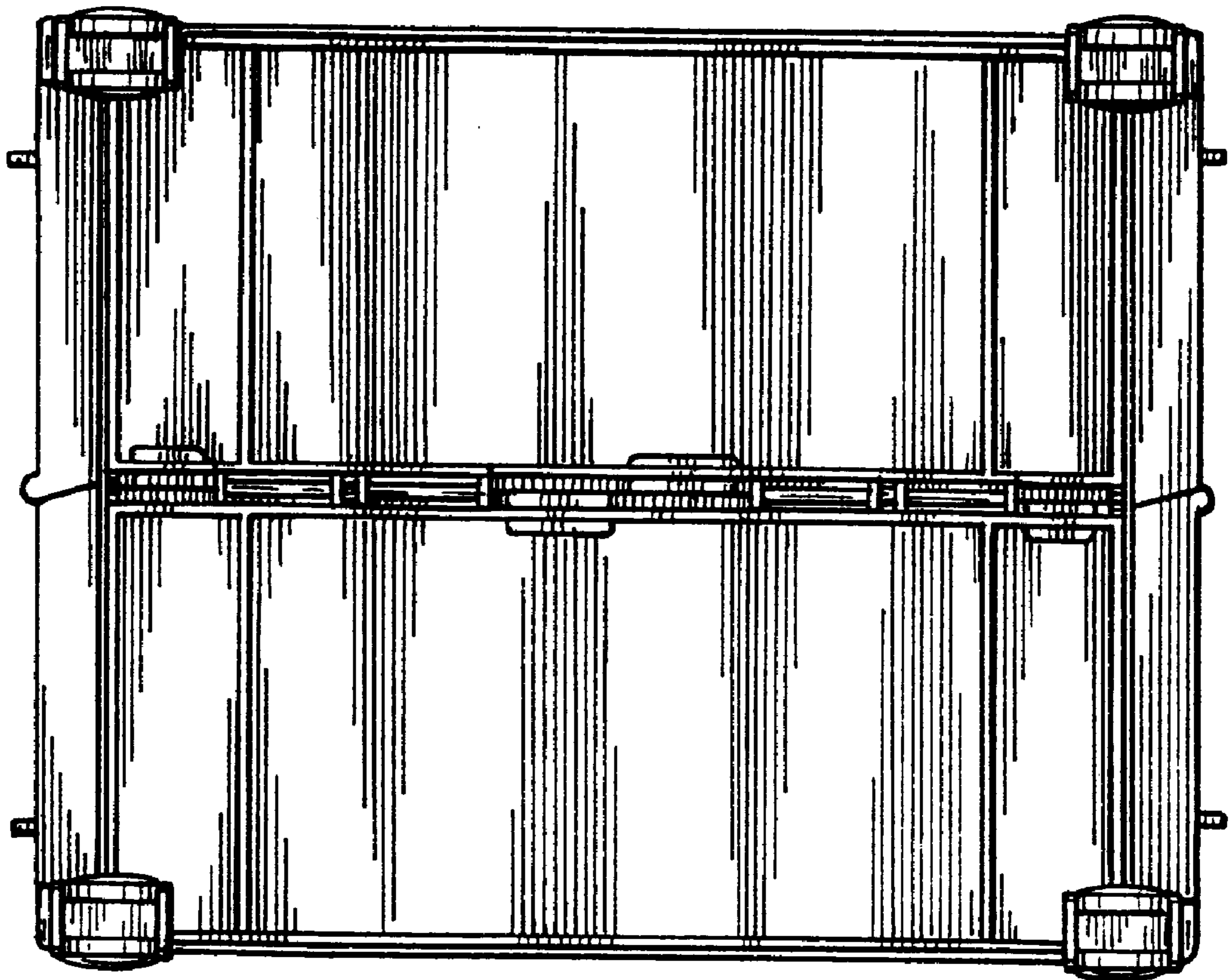


Fig. 5