



US00D445226S

(12) **United States Design Patent**  
**Jupp**

(10) **Patent No.:** **US D445,226 S**

(45) **Date of Patent:** **\*\* Jul. 17, 2001**

(54) **CANISTER TYPE PORTABLE VACUUM CLEANER**

(75) **Inventor:** **Simeon Charles Jupp**, Broughton Gifford (GB)

(73) **Assignee:** **Notetry Limited**, Somerford (GB)

(\*\*) **Term:** **14 Years**

(21) **Appl. No.:** **29/099,243**

(22) **Filed:** **Jan. 19, 1999**

(30) **Foreign Application Priority Data**

Jul. 20, 1998 (GB) ..... 2076207

(51) **LOC (7) Cl.** ..... **15-05**

(52) **U.S. Cl.** ..... **D32/21**

(58) **Field of Search** ..... D32/21-24, 25, D32/31; 15/320-321, 353, 327.1, 327.2, 327.3, 327.4, 327.6, 327.7, 347, 352, 323

(56) **References Cited**

**U.S. PATENT DOCUMENTS**

- D. 344,375 \* 2/1994 Piret et al. .... D32/21
- D. 381,478 \* 7/1997 Amos ..... D32/21
- D. 382,679 \* 8/1997 Dyson ..... D32/21
- D. 384,447 \* 9/1997 Lauer et al. .... D32/21

- D. 399,617 \* 10/1998 Fujita ..... D32/21
- D. 417,046 \* 11/1999 Tsuruha et al. .... D32/21
- D. 417,047 \* 11/1999 Tsuda ..... D32/21
- 5,937,477 \* 8/1999 Dyson ..... 15/327.2

\* cited by examiner

*Primary Examiner*—Ruth McInroy

(74) *Attorney, Agent, or Firm*—Ian C. McLeod

(57) **CLAIM**

The ornamental design for a canister type portable vacuum cleaner, as shown and described.

**DESCRIPTION**

FIG. 1 is a partial front elevational view of a canister type portable vacuum cleaner without the hose showing my new design;

FIG. 2 is a rear elevational view thereof including the hose; FIG. 3 is a left side elevational view thereof including the hose;

FIG. 4 is a right side elevational view thereof;

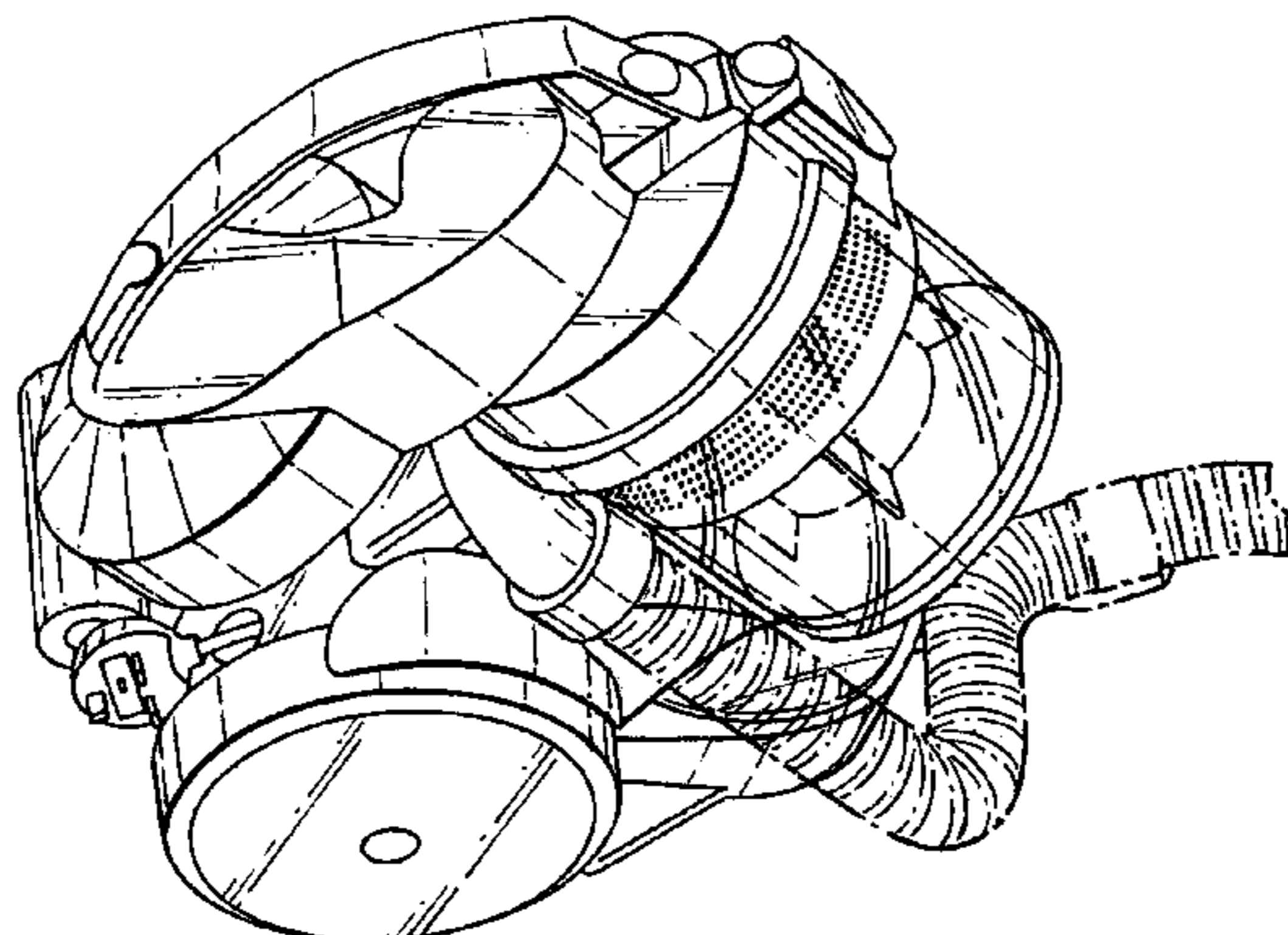
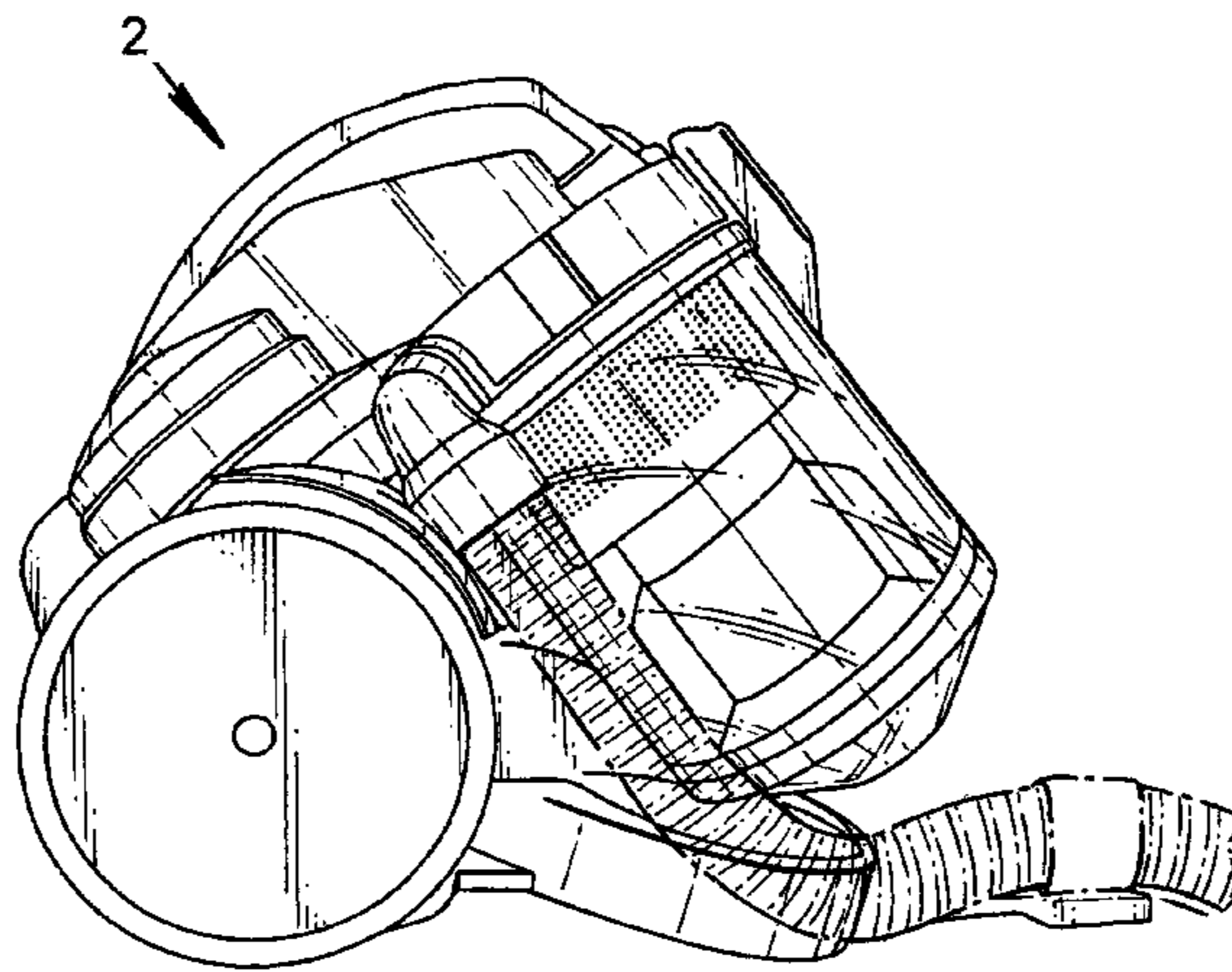
FIG. 5 is a top plan view thereof without the hose;

FIG. 6 is a bottom view thereof; and,

FIG. 7 is a perspective view thereof including the hose.

The hose shown in FIGS. 2, 3 and 7 is for illustrative purposes only and forms no part of the invention.

**1 Claim, 4 Drawing Sheets**



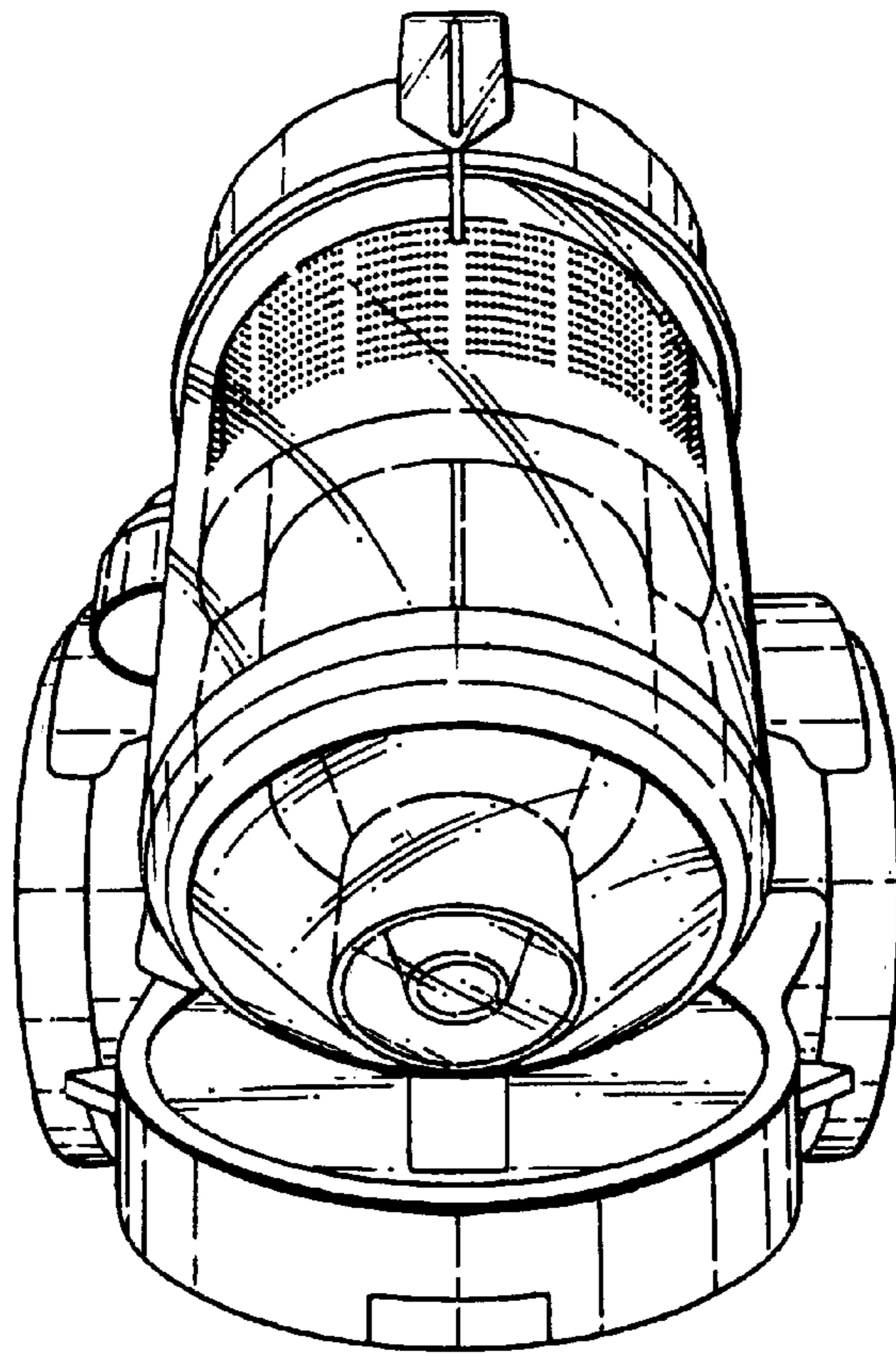


Fig. 1

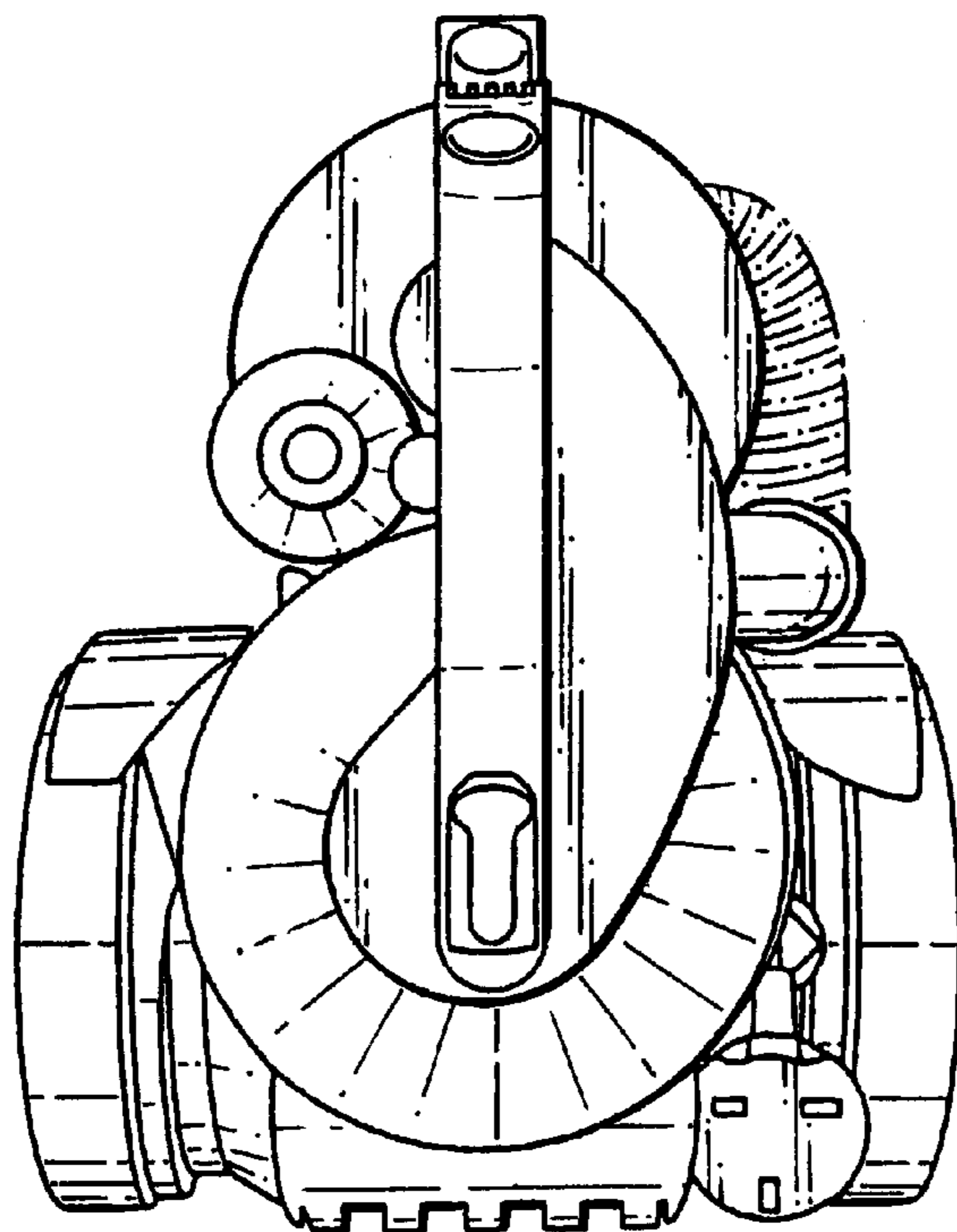


Fig. 2

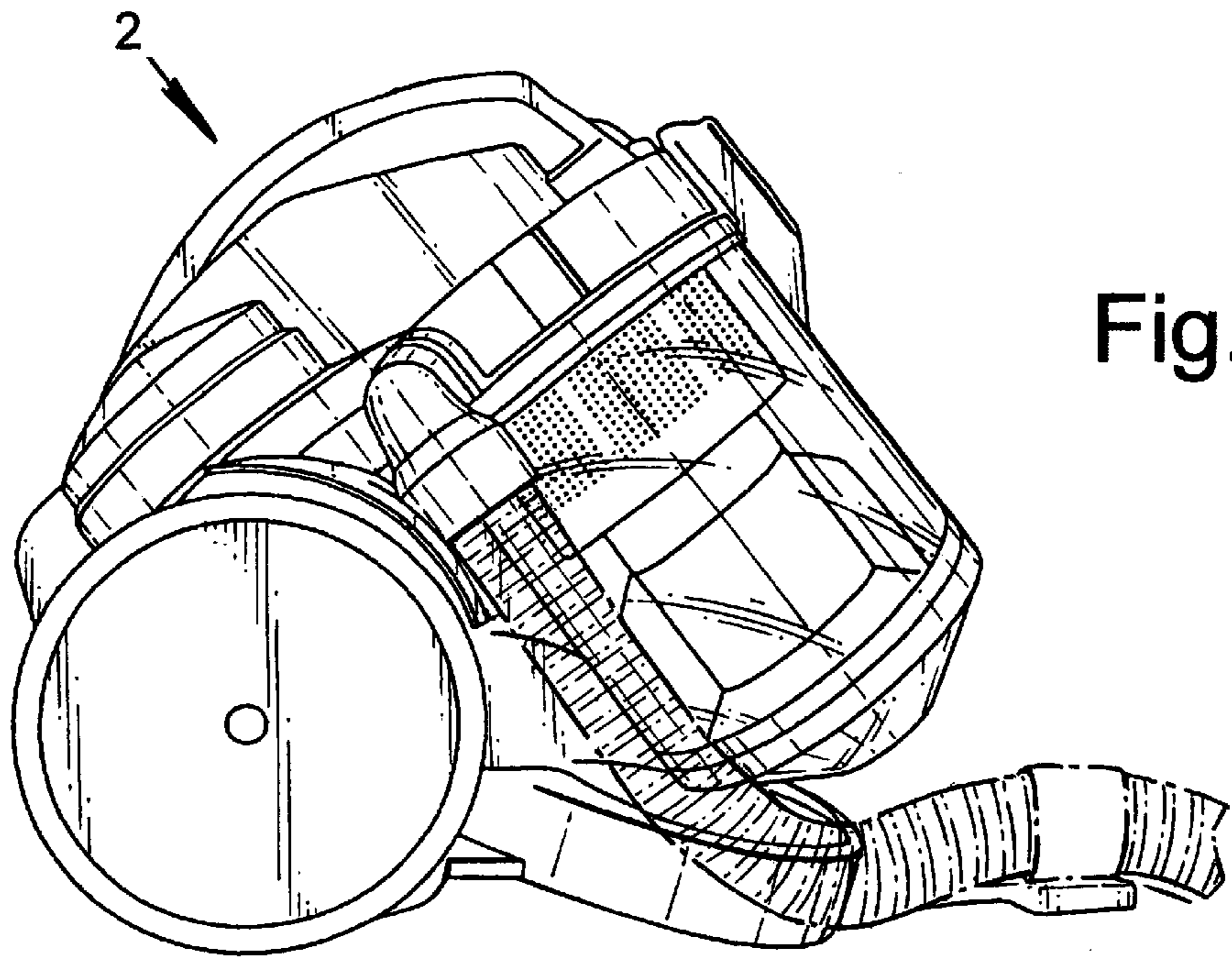


Fig.3

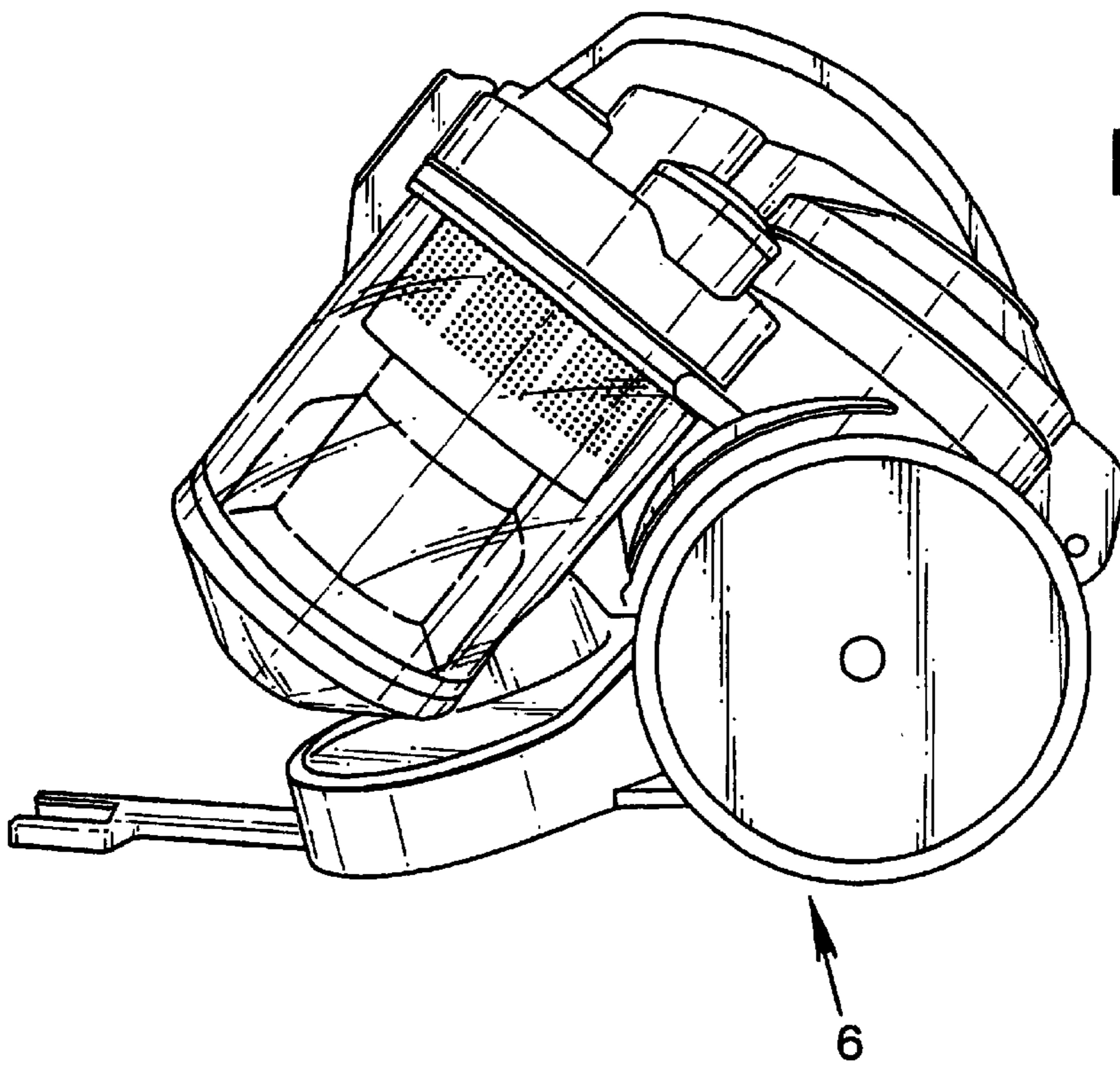


Fig.4

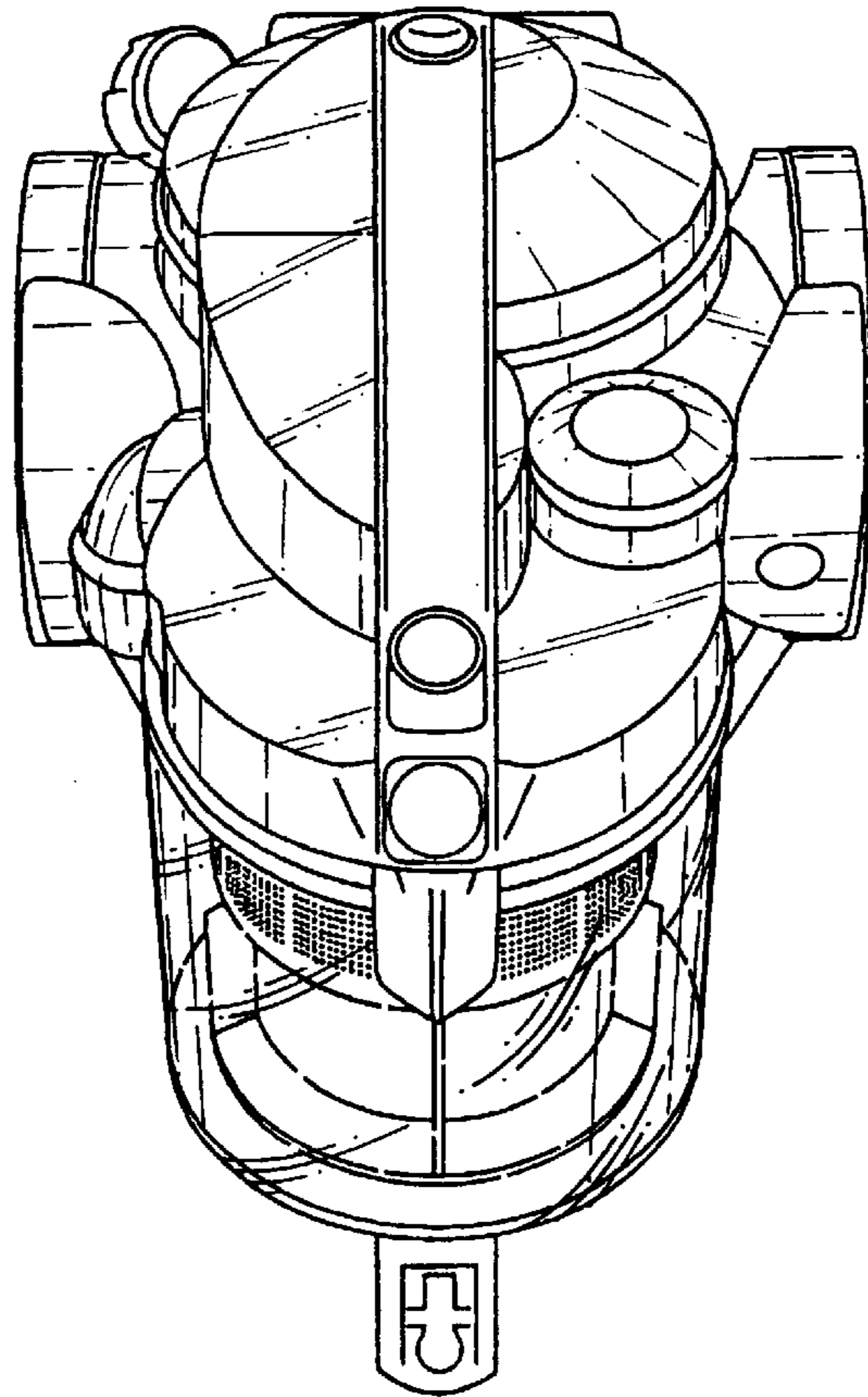


Fig.5

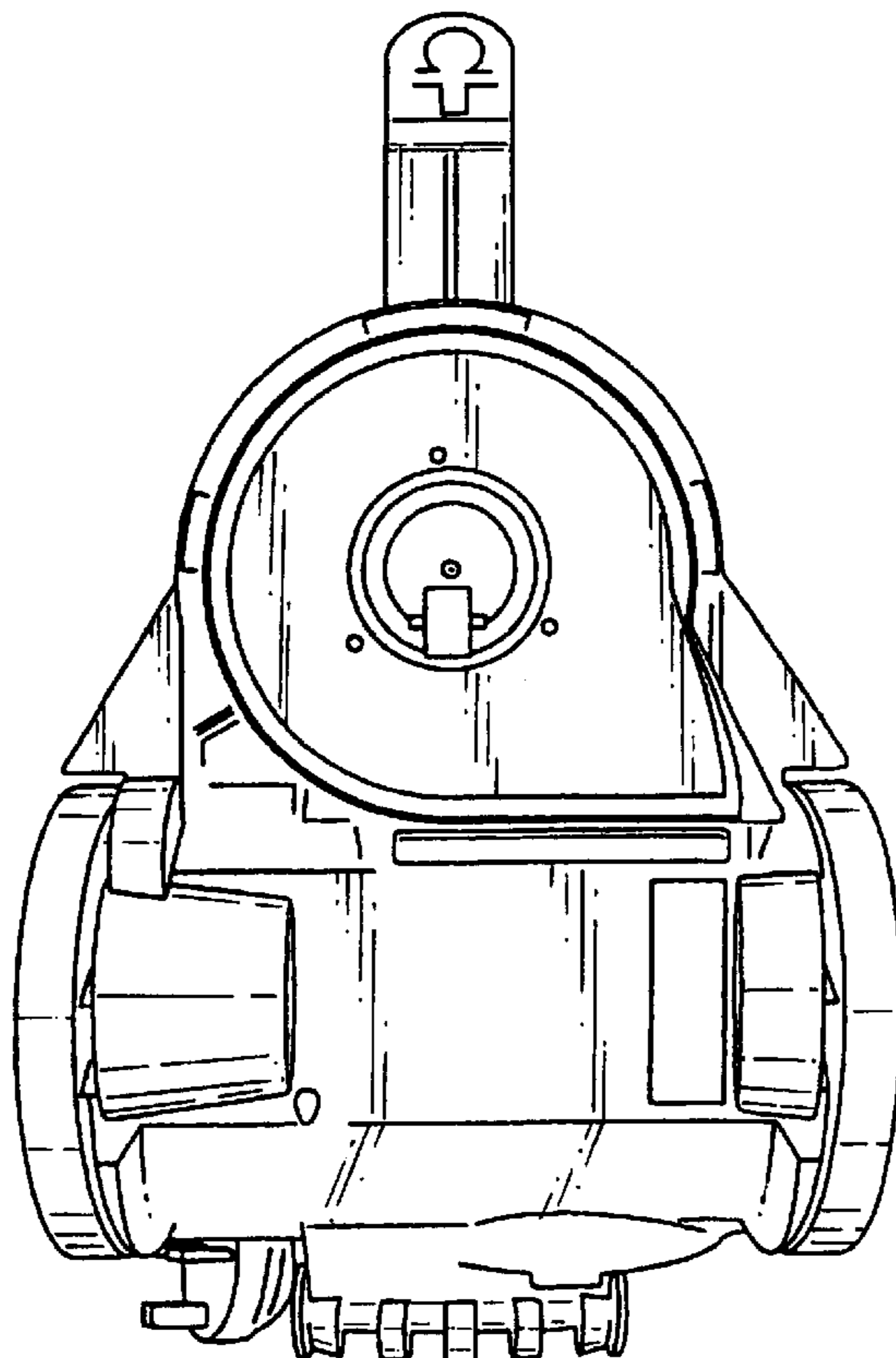


Fig.6

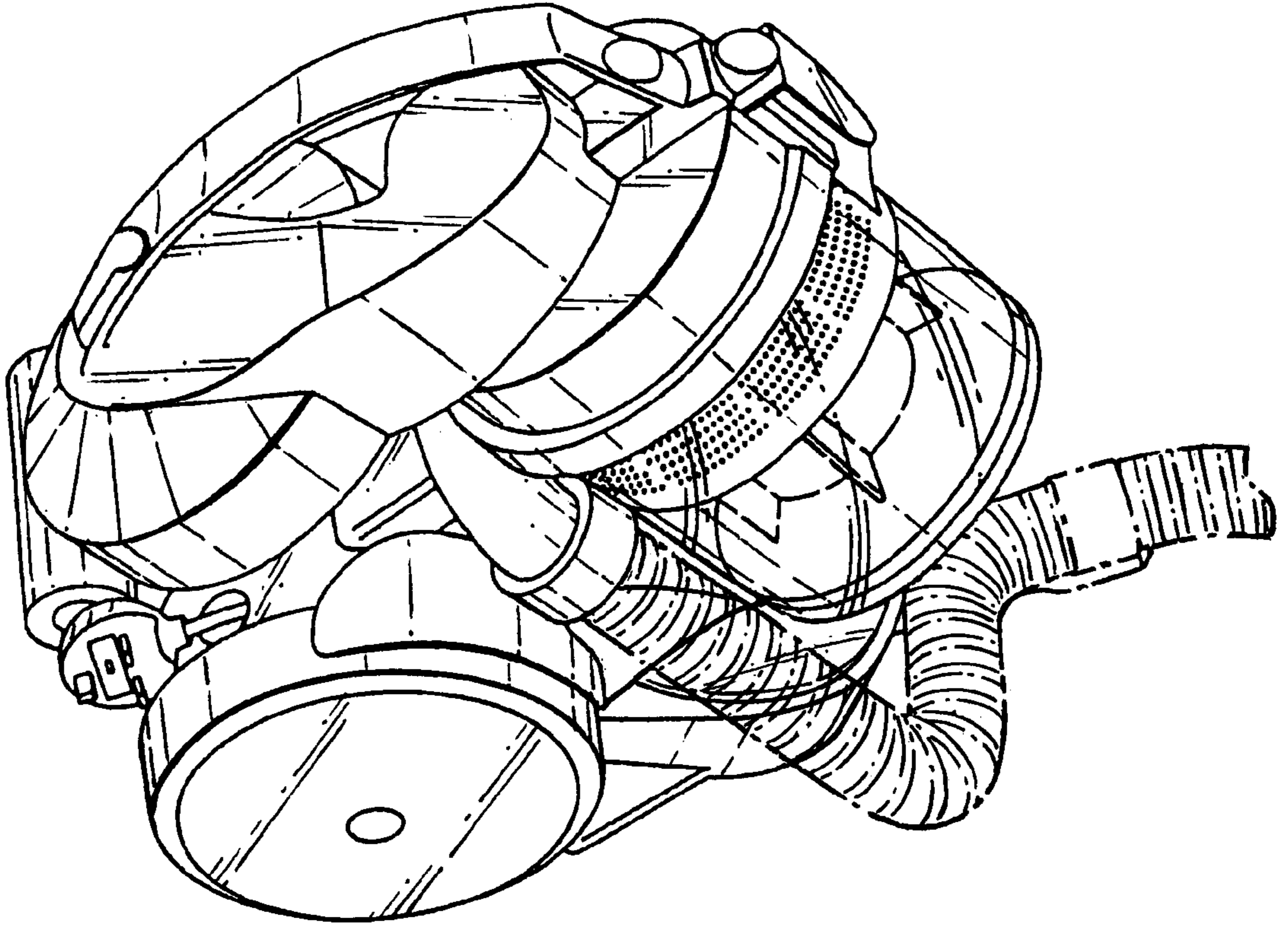


Fig.7