



US00D445225S

(12) **United States Design Patent**
Schaub

(10) **Patent No.:** **US D445,225 S**

(45) **Date of Patent:** **** Jul. 17, 2001**

(54) **POOL CLEANER**

(75) **Inventor:** **Bernhard Schaub**, University Heights,
OH (US)

(73) **Assignee:** **H-Tech, Inc.**, Wilmington, DE (US)

(**) **Term:** **14 Years**

(21) **Appl. No.:** **29/131,335**

(22) **Filed:** **Oct. 19, 2000**

Related U.S. Application Data

(63) Continuation-in-part of application No. 29/112,603, filed on
Oct. 19, 1999, now Pat. No. Des. 433,545.

(51) **LOC (7) Cl.** **15-05**

(52) **U.S. Cl.** **D32/15**

(58) **Field of Search** D32/1, 15-22,
D32/25, 31-34; 15/1.7; 55/373, 374; 180/116,
119, 120, 125, 130; 210/169, 416.2, 460

(56) **References Cited**

U.S. PATENT DOCUMENTS

- D. 223,509 4/1972 Hohulin et al. .
- D. 289,213 4/1987 Perkins .
- D. 297,675 9/1988 Umehara et al. .
- D. 315,431 3/1991 Ikeda et al. .
- D. 344,165 2/1994 Kuriya .
- D. 361,178 8/1995 Piret .
- D. 373,230 8/1996 Sebor et al. .
- D. 376,450 12/1996 Campbell et al. .
- D. 384,782 10/1997 Gefter .
- D. 388,913 1/1998 Williams et al. .
- D. 417,146 * 11/1999 Tsuruha et al. D32/21

- D. 417,322 11/1999 Hollinger .
- D. 418,640 1/2000 Veloskey et al. .
- D. 433,545 11/2000 Hollinger et al. .
- 4,749,478 6/1988 Brooks .
- 4,768,532 9/1988 Johnson .
- 4,900,432 2/1990 Arnold et al. .
- 4,939,806 7/1990 Supra .
- 5,195,563 3/1993 Brooks .
- 5,412,826 5/1995 Raubenheimer .

FOREIGN PATENT DOCUMENTS

- 9701689 1/1997 (WO) .
- 9749504 12/1997 (WO) .
- 9749882 12/1997 (WO) .
- 9933582 7/1999 (WO) .
- 9934077 7/1999 (WO) .

* cited by examiner

Primary Examiner—Louis S. Zarfes

Assistant Examiner—Robert A. Delehanty

(74) *Attorney, Agent, or Firm*—Selitto, Behr & Kim

(57) **CLAIM**

The ornamental design for a pool cleaner, as shown.

DESCRIPTION

FIG. 1 is a front perspective view of a pool cleaner showing my new design;
FIG. 2 is a front elevational view thereof;
FIG. 3 is a rear elevational view thereof;
FIG. 4 is a right side elevational view thereof;
FIG. 5 is a left side elevational view thereof;
FIG. 6 is a top plan view thereof; and,
FIG. 7 is a bottom plan view thereof.

1 Claim, 7 Drawing Sheets

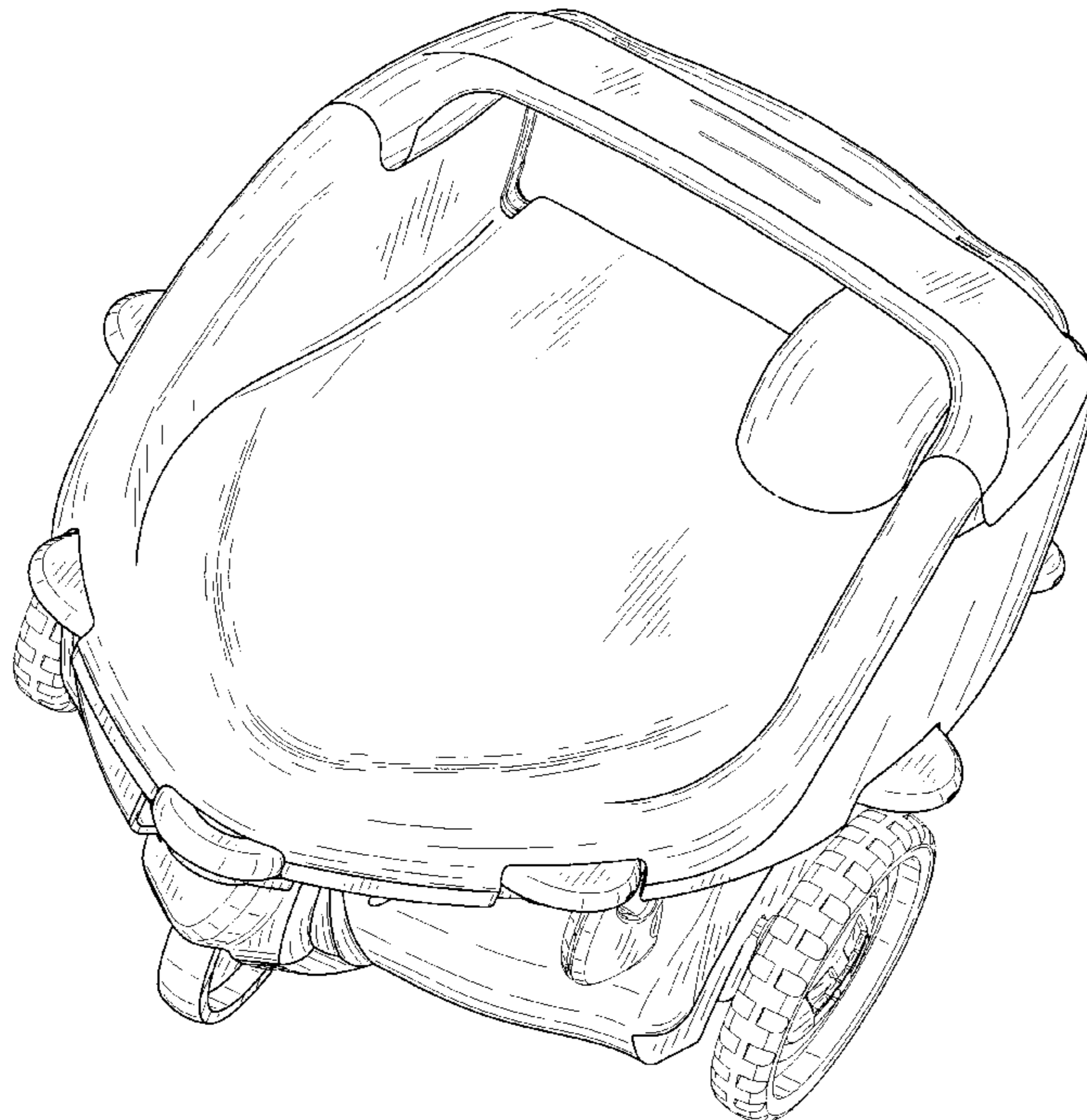


FIG. 1

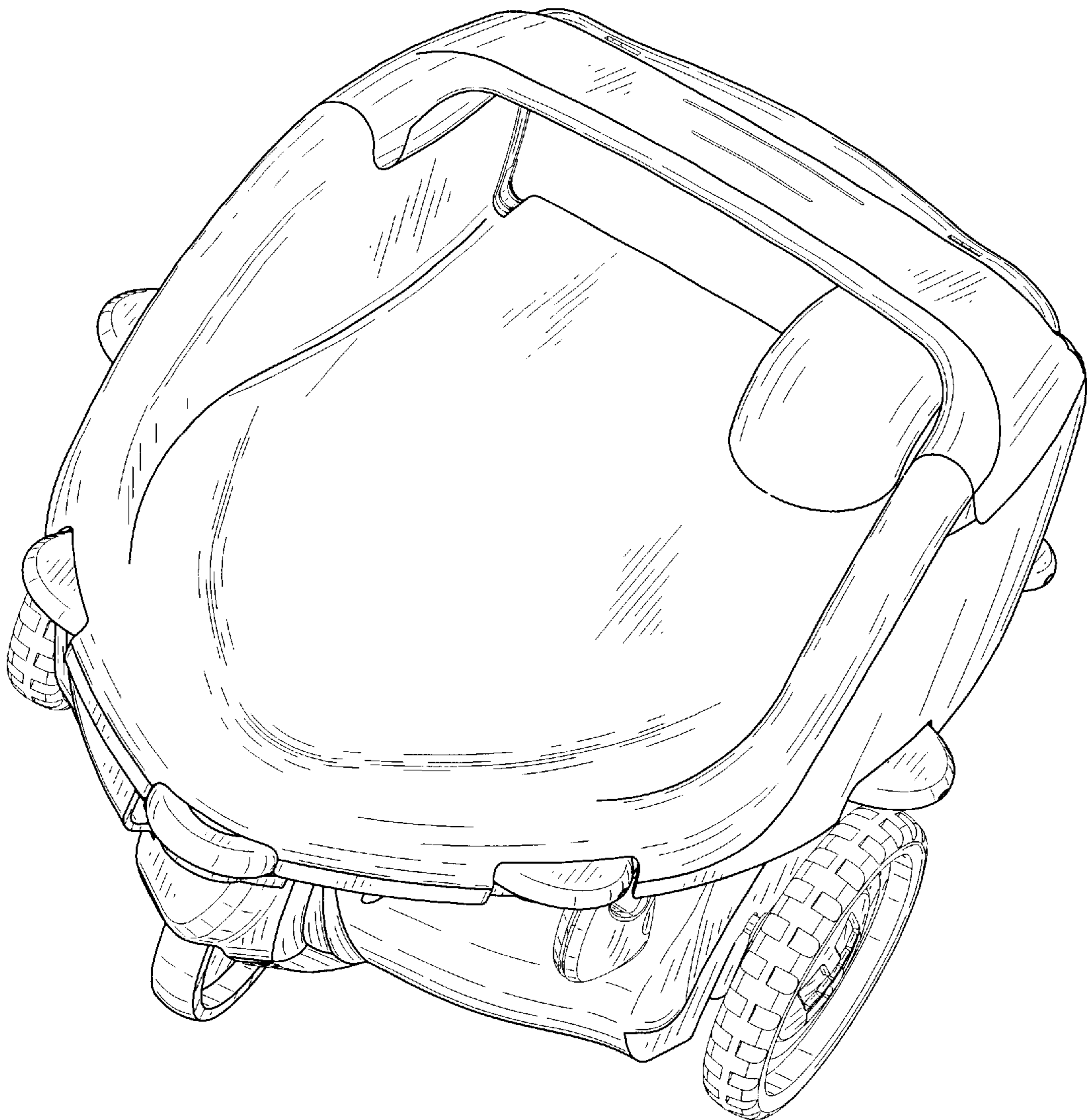


FIG. 2

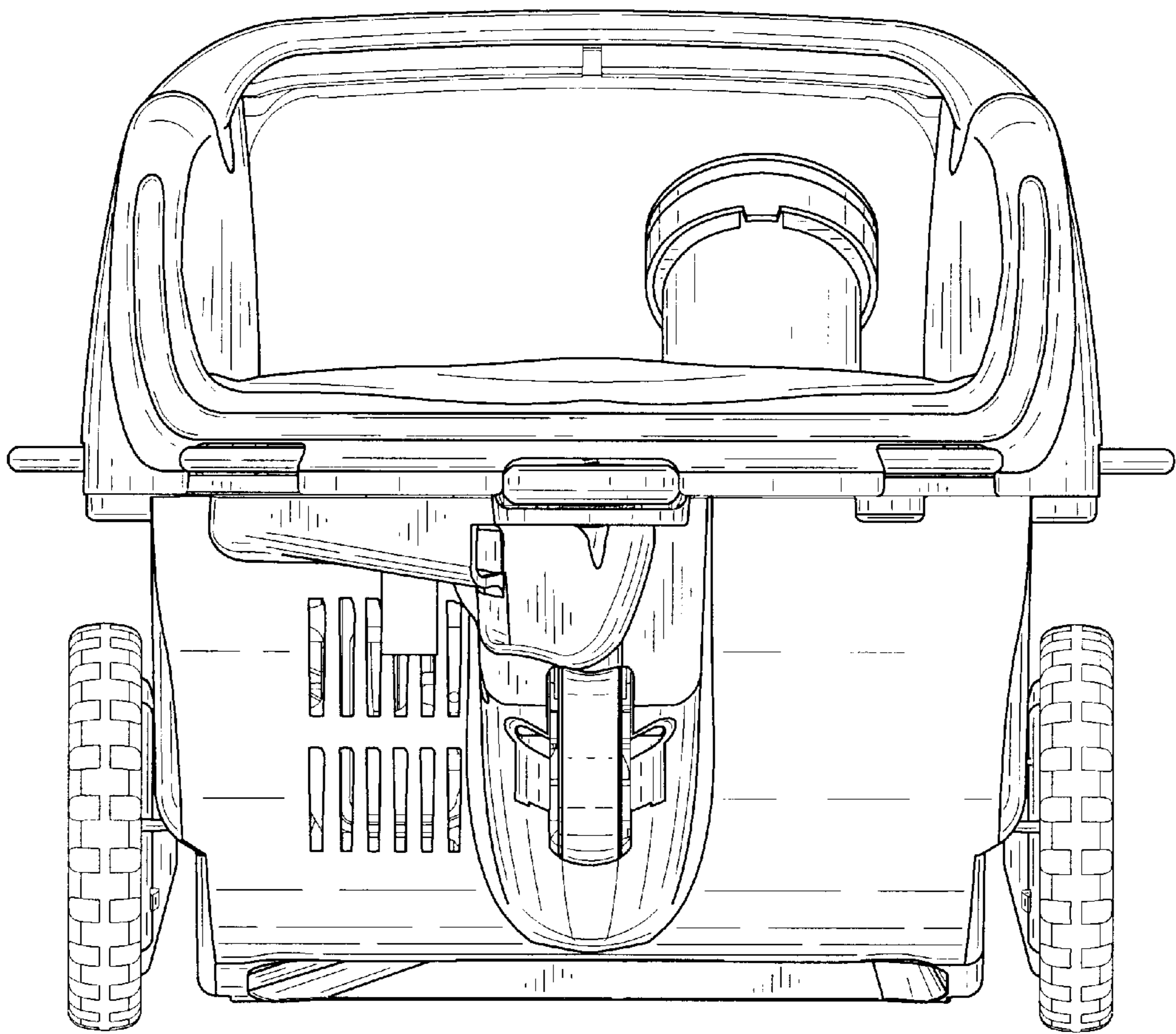


FIG. 3

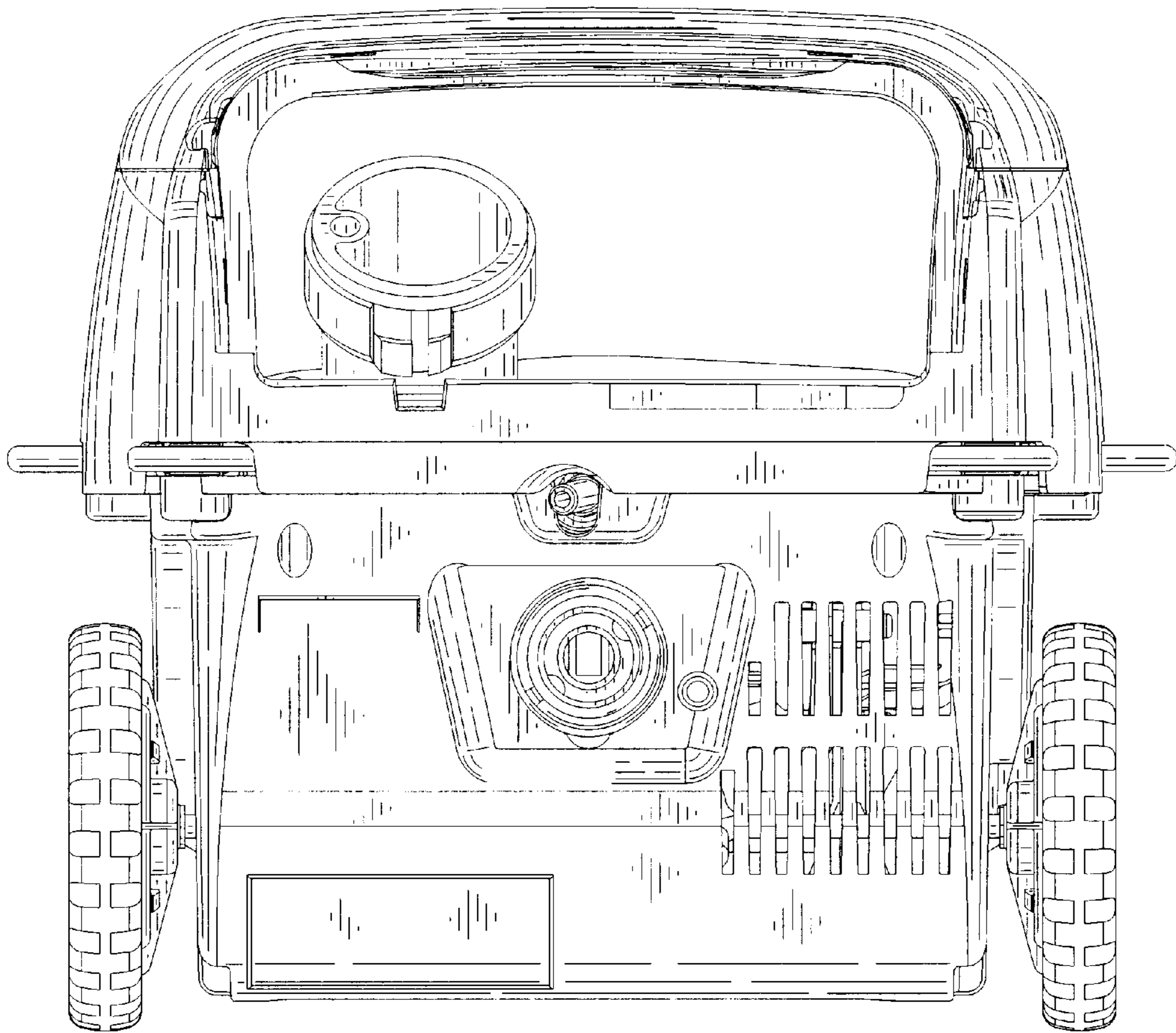


FIG. 4

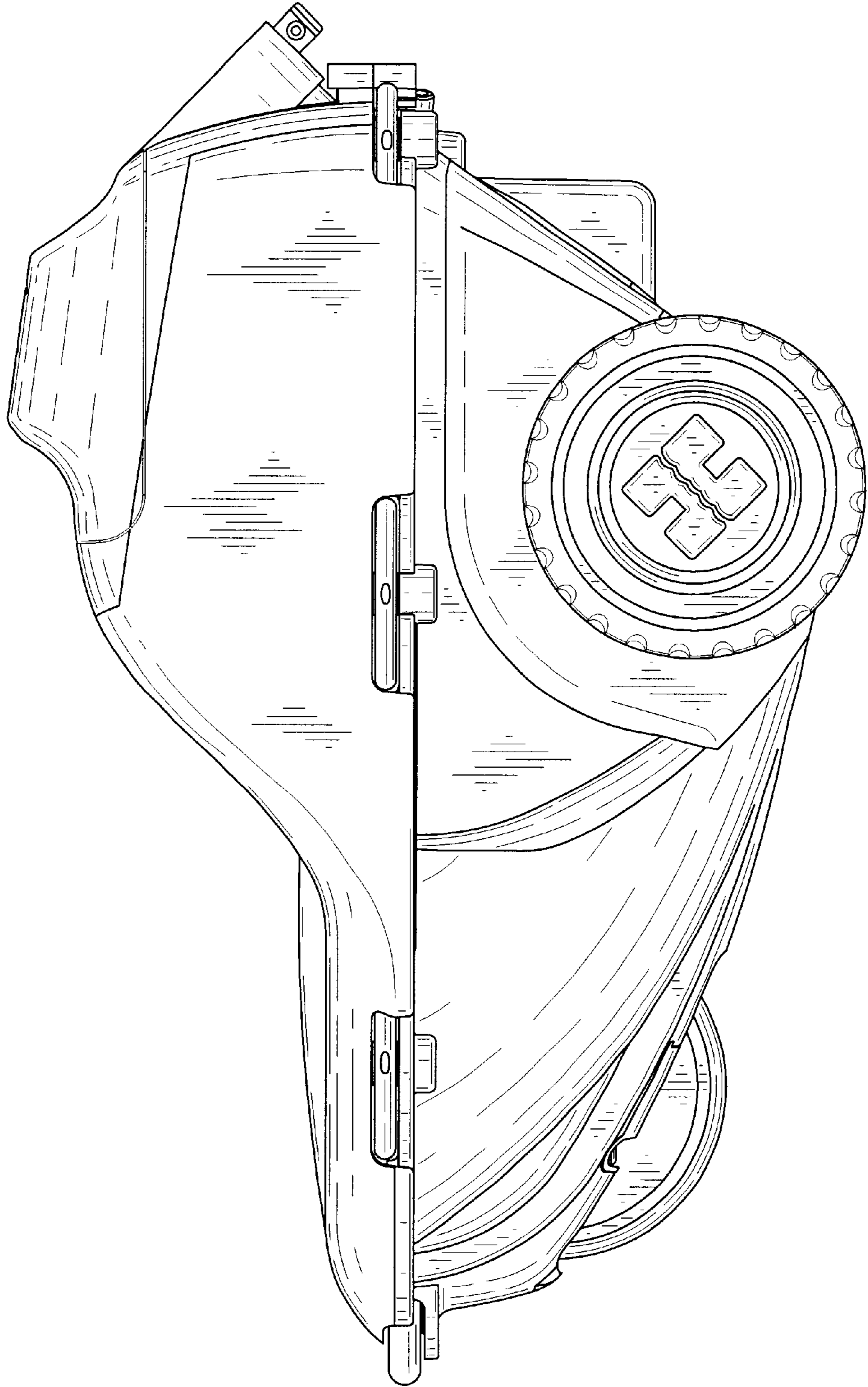


FIG. 5

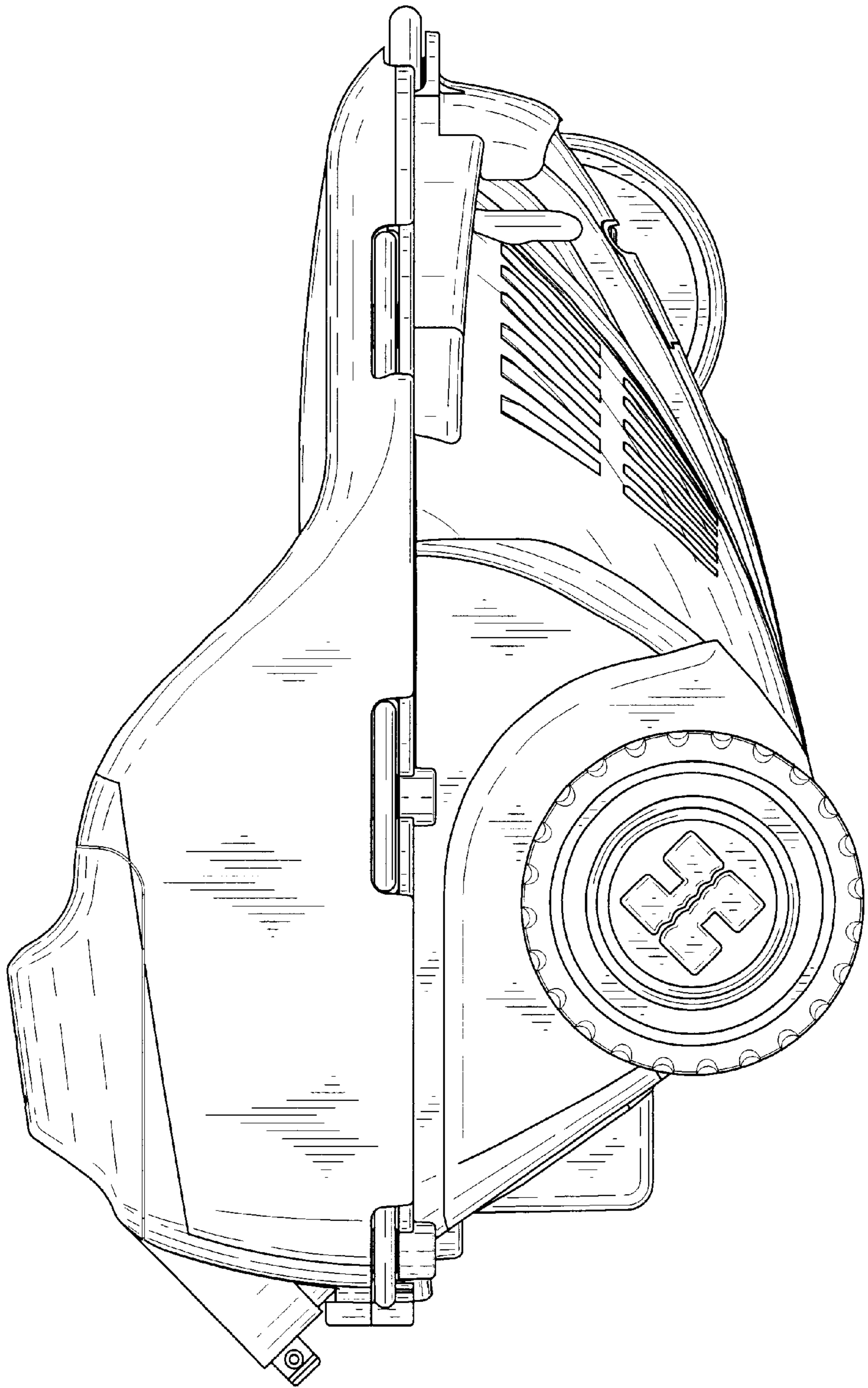


FIG. 6

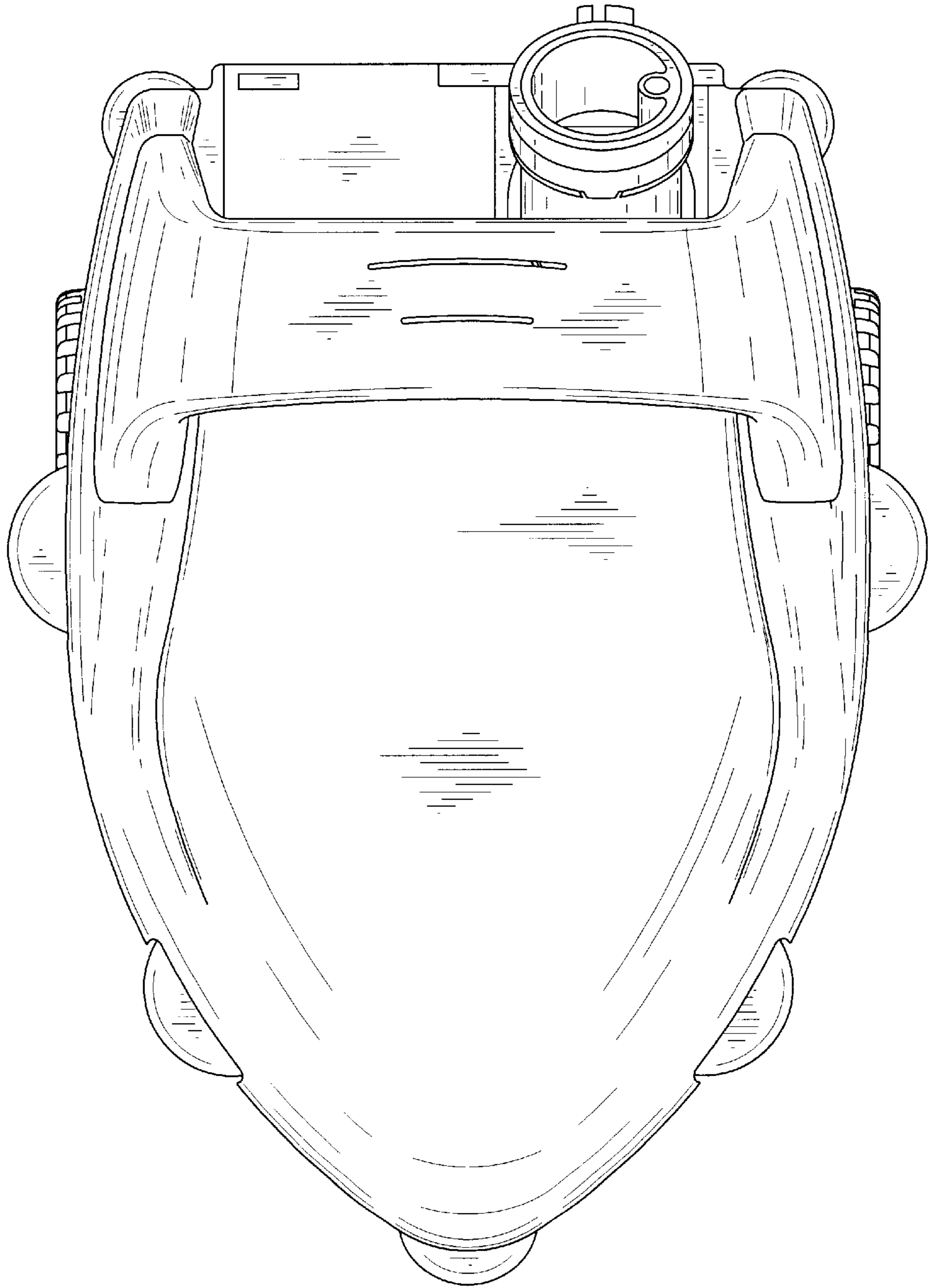


FIG. 7

