



US00D445222S

(12) **United States Design Patent**  
**Ross**

(10) **Patent No.:** **US D445,222 S**

(45) **Date of Patent:** **\*\* Jul. 17, 2001**

(54) **PET CARRIER**

(75) Inventor: **Allan G. Ross**, Masury, OH (US)

(73) Assignee: **Alco Industries, Inc.**, Valley Forge, PA (US)

(\*\*) Term: **14 Years**

(21) Appl. No.: **29/135,530**

(22) Filed: **Jan. 12, 2001**

(51) **LOC (7) Cl.** ..... **30-02**

(52) **U.S. Cl.** ..... **D30/108**

(58) **Field of Search** ..... D30/108-112,  
D30/118, 161; 119/452-453, 496-498,  
482, 499, 500-501, 161, 163-167

(56) **References Cited**

**U.S. PATENT DOCUMENTS**

D. 227,126	*	6/1973	Brison	.....	D30/109
D. 308,429	*	6/1990	VanSkiver	.....	D30/109
D. 308,588	*	6/1990	Goetz	.....	D30/109
D. 312,333	*	11/1990	Skiver	.....	D30/109
D. 314,251	*	1/1991	Skiver	.....	D30/109
D. 334,087	*	3/1993	Goetz	.....	D30/108
D. 367,732	*	3/1996	Murphy et al.	.....	D30/108
D. 367,733	*	3/1996	Paxman et al.	.....	D30/109
D. 374,510	*	10/1996	Barreto, III et al.	.....	D30/108
D. 412,223	*	7/1999	Medhurst	.....	D30/109

4,256,056	*	3/1981	Sou	.....	119/497
4,484,540	*	11/1984	Yamamoto	.....	119/497
4,852,520	*	8/1989	Goetz	.....	119/497
5,357,900	*	10/1994	Ho	.....	119/497
5,471,950	*	12/1995	White	.....	119/497
5,701,843	*	12/1997	Lazides	.....	119/496
5,960,744	*	10/1999	Rutman	.....	119/498
5,967,090	*	10/1999	Hui	.....	119/497
6,131,534	*	10/2000	Axelrod	.....	119/499
6,182,611	*	2/2001	Marchioro	.....	119/453

\* cited by examiner

*Primary Examiner*—Cathy Anne MacCormac

(74) *Attorney, Agent, or Firm*—Webb Ziesenheim Logsdon Orkin & Hanson, P.C.

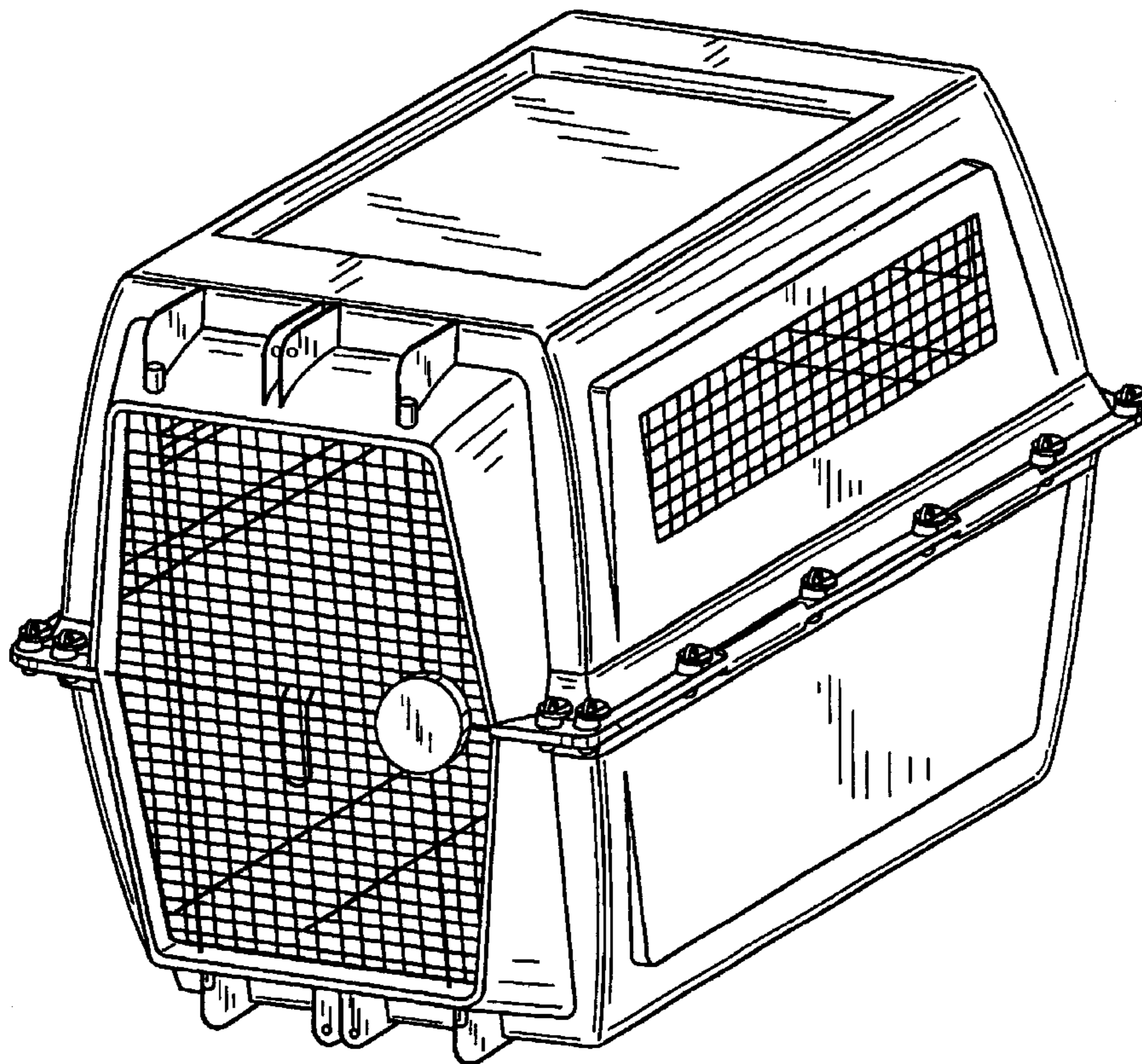
(57) **CLAIM**

The ornamental design for a pet carrier, as shown.

**DESCRIPTION**

FIG. 1 is a perspective view of a pet carrier showing my new design;  
FIG. 2 is a front elevation view thereof;  
FIG. 3 is a rear elevation view thereof;  
FIG. 4 is a top plan view thereof;  
FIG. 5 is a bottom plan view thereof;  
FIG. 6 is a right side elevation view thereof; and,  
FIG. 7 is a left side elevation view thereof.

**1 Claim, 6 Drawing Sheets**



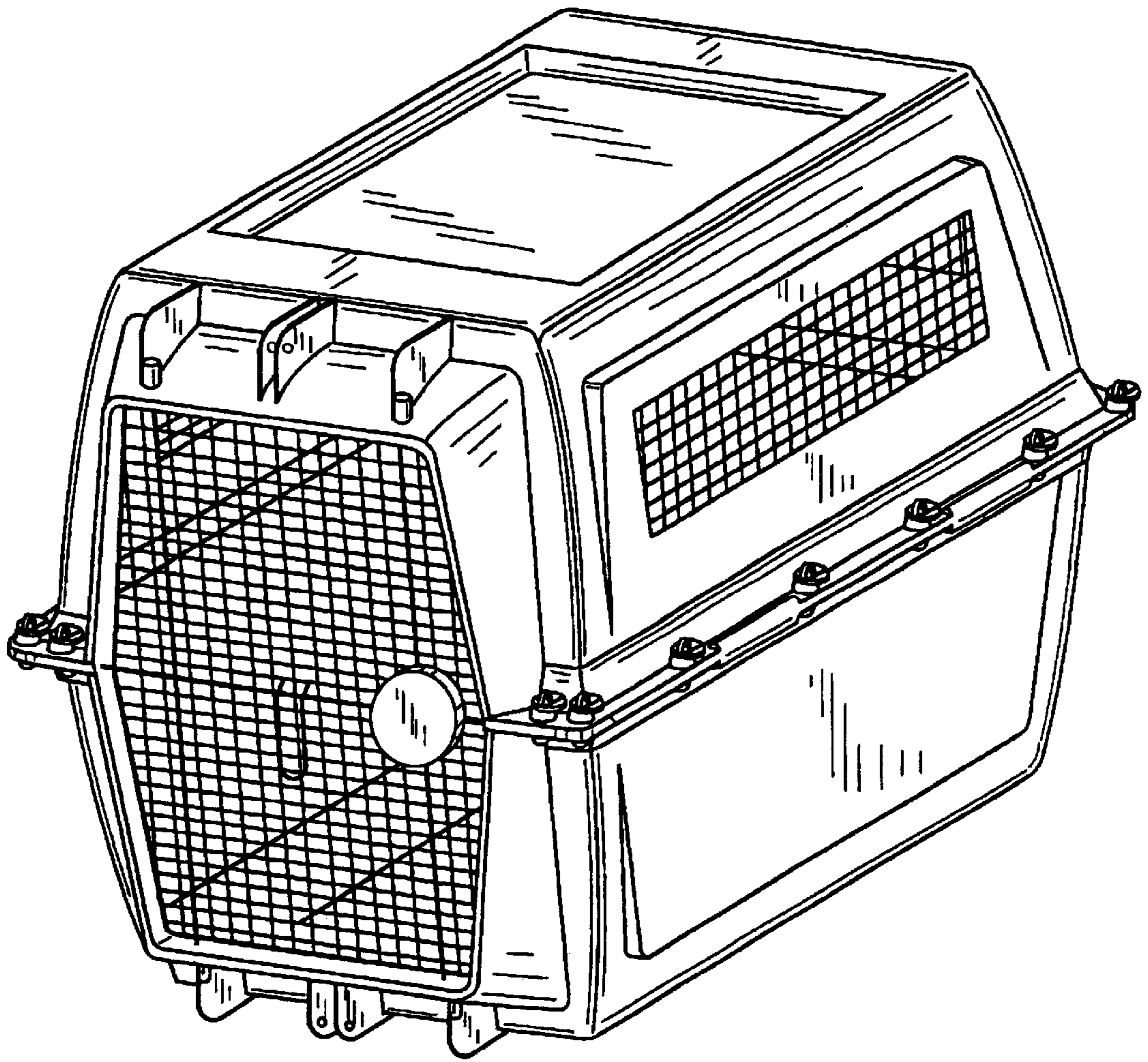


FIG. 1

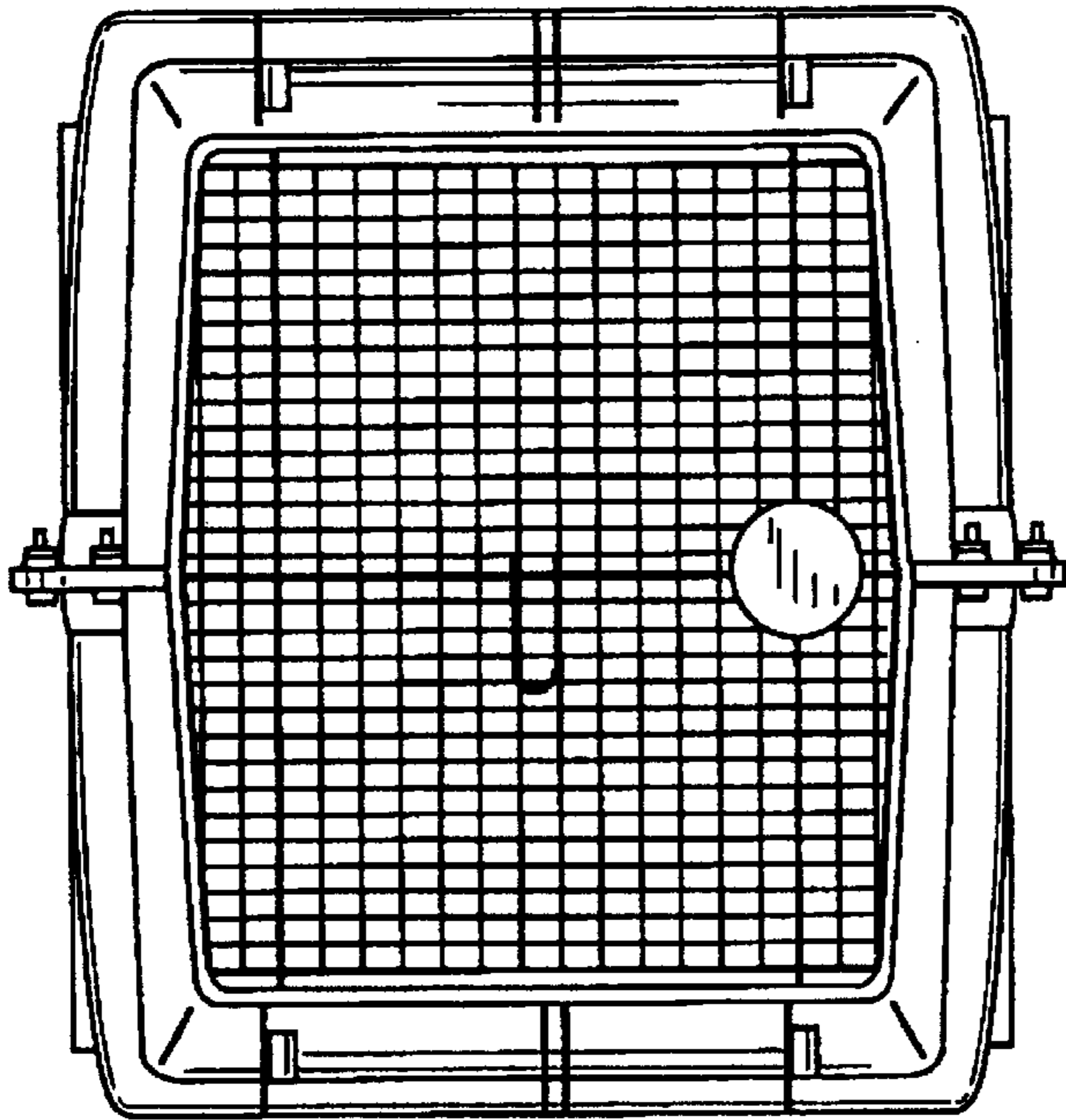


FIG. 2

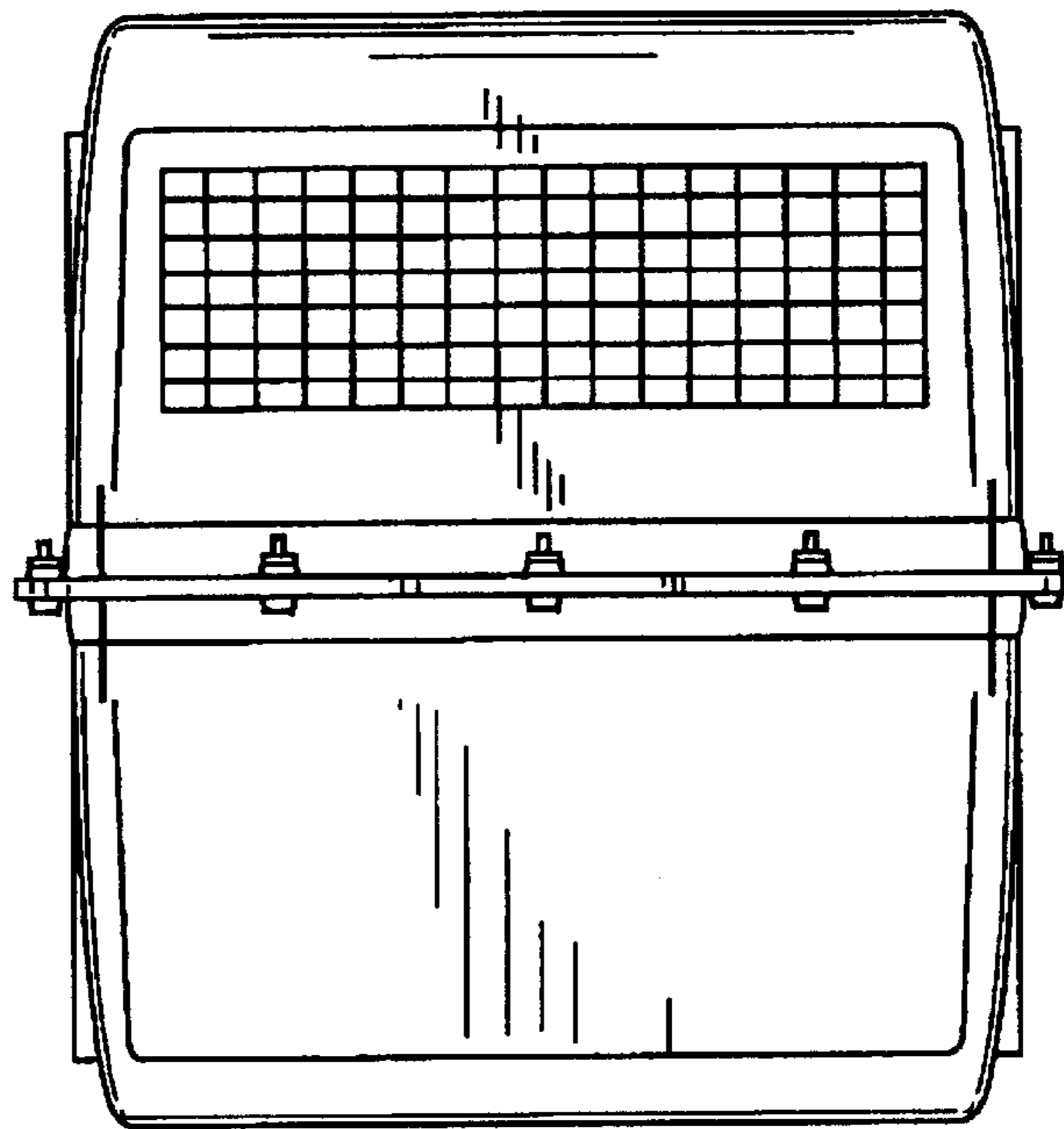


FIG. 3

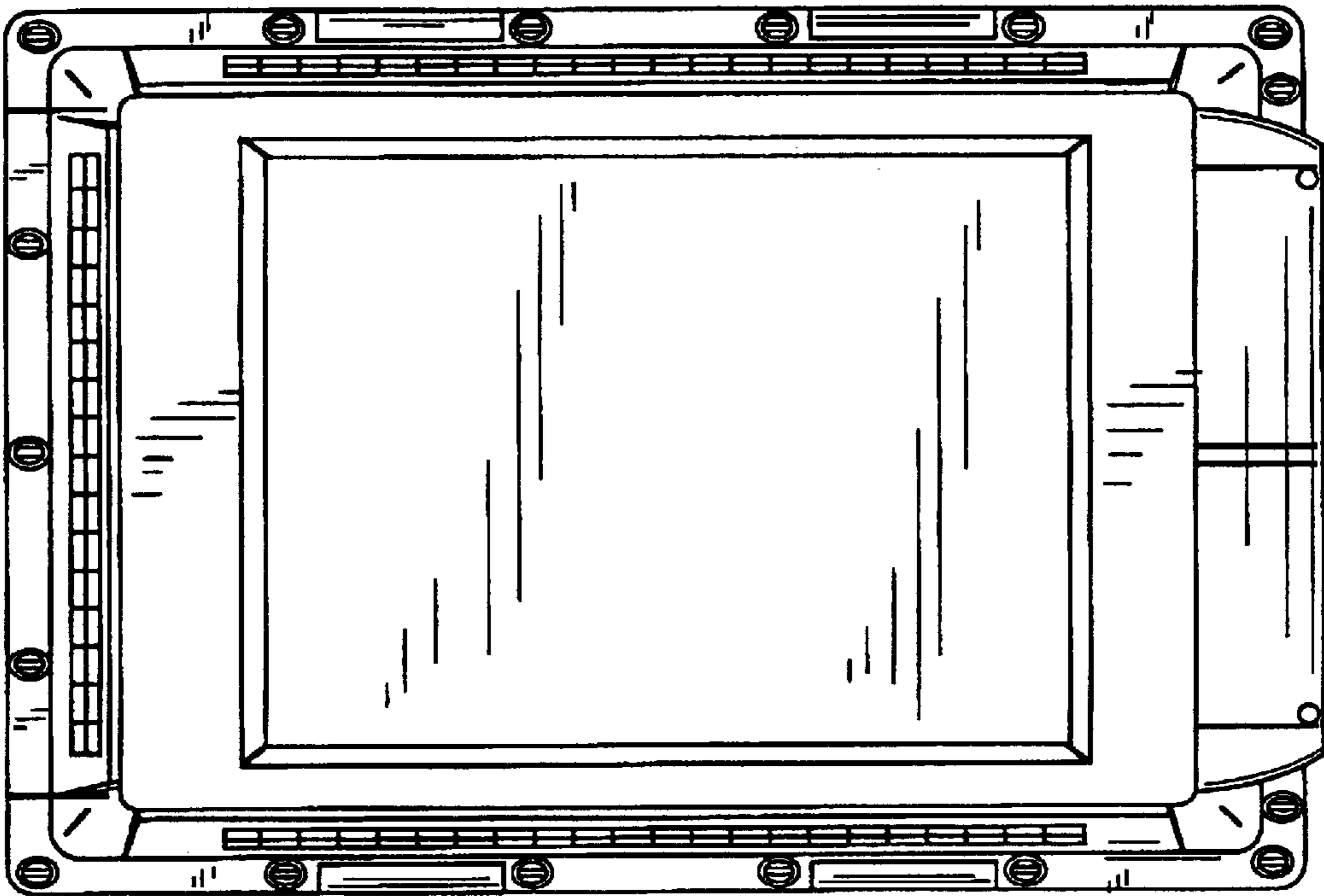


FIG. 4



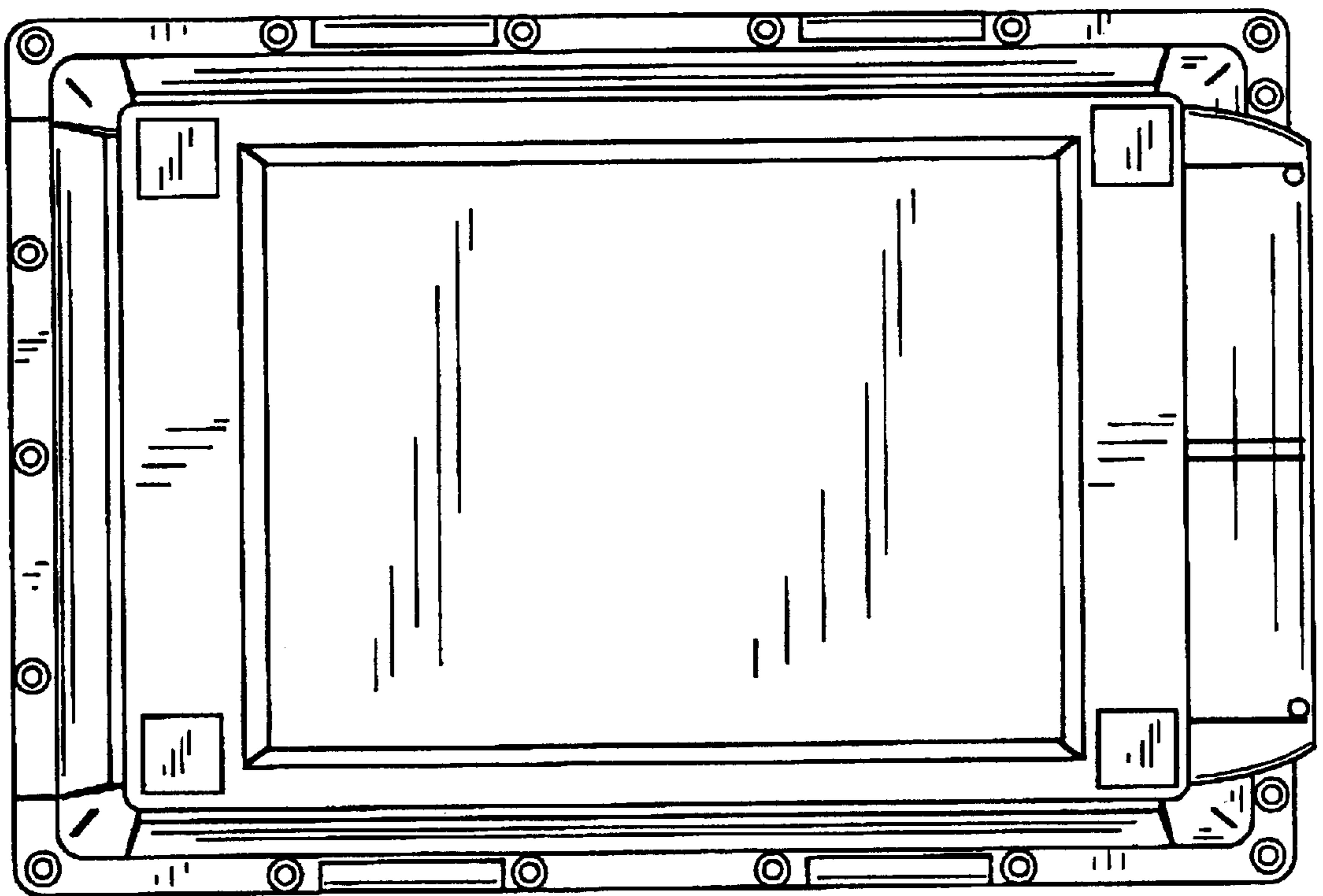


FIG. 5

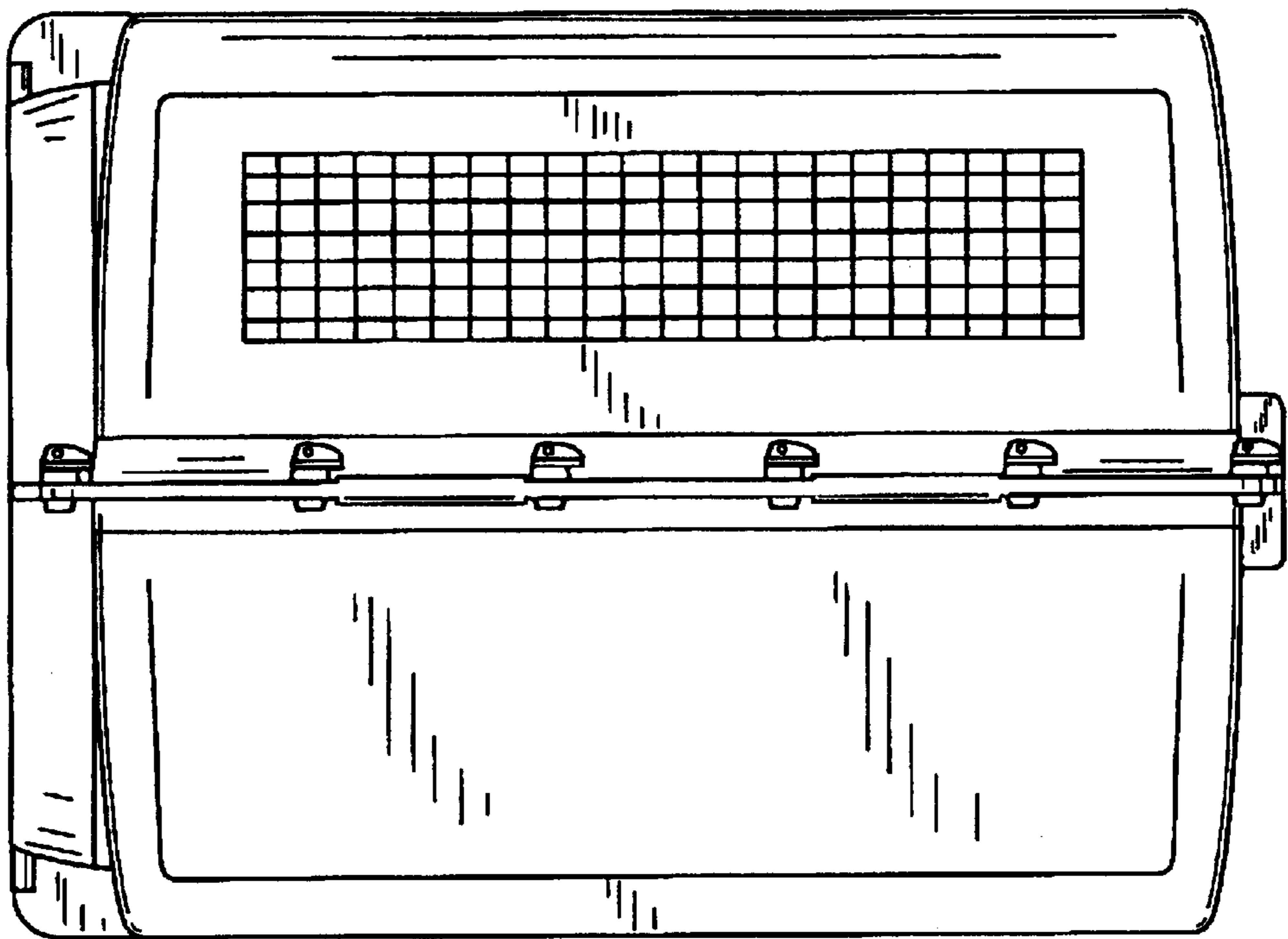


FIG. 6

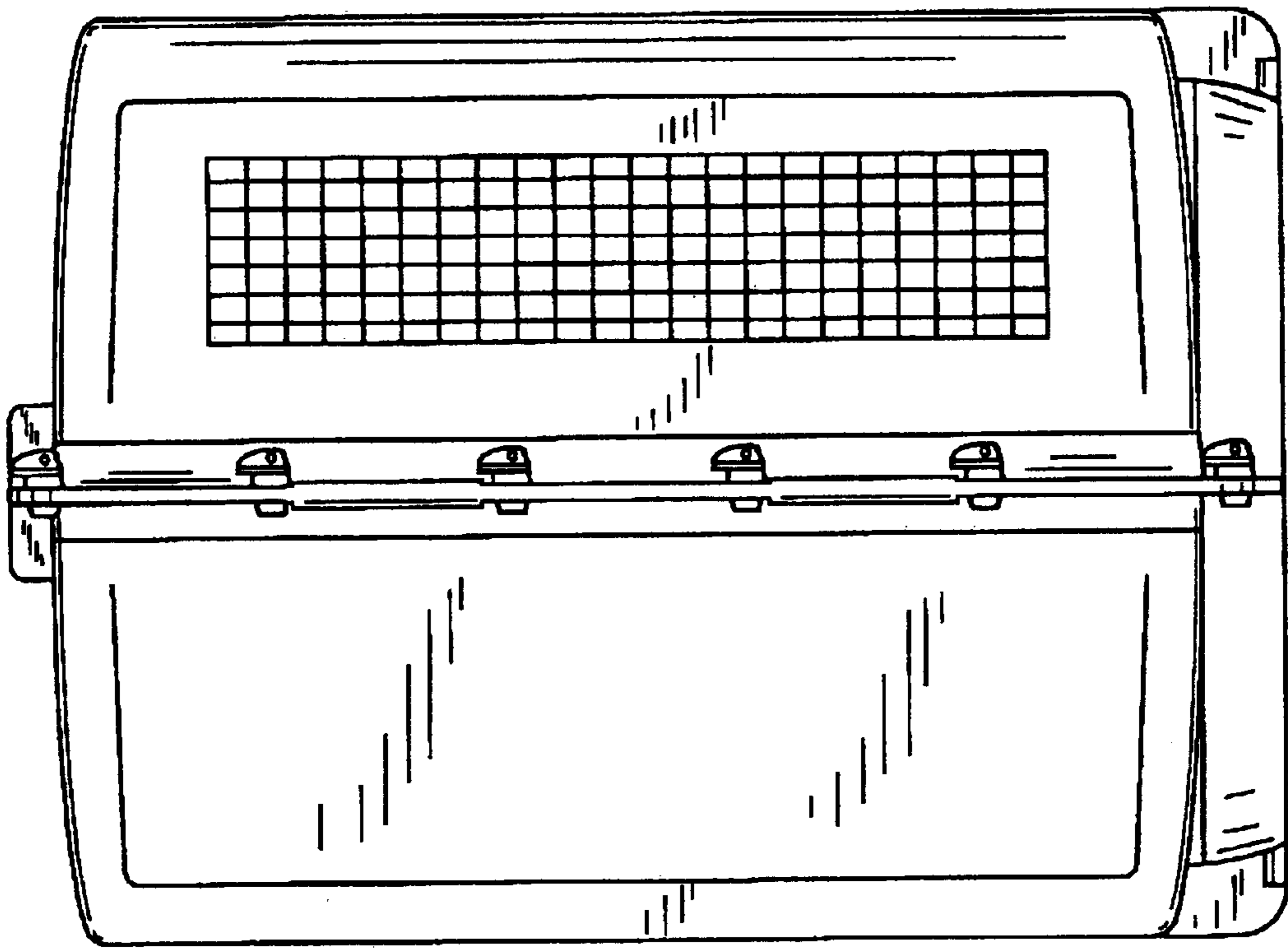


FIG. 7