



US00D445219S

(12) **United States Design Patent**
Ho

(10) **Patent No.:** **US D445,219 S**

(45) **Date of Patent:** **** Jul. 17, 2001**

(54) **SAFETY HELMET**

(76) Inventor: **Chang-Hsien Ho**, 10F, No. 27, Lane
40, Yu-Min 1st Rd., Peitou Dist., Taipei
(TW)

(**) Term: **14 Years**

(21) Appl. No.: **29/133,060**

(22) Filed: **Nov. 22, 2000**

(51) **LOC (7) Cl.** **29-02**

(52) **U.S. Cl.** **D29/102**

(58) **Field of Search** D29/102-107,
D29/108, 112, 122; 2/6.1, 6.6, 410-411,
413, 421, 423-425, 209

(56) **References Cited**

U.S. PATENT DOCUMENTS

- D. 414,585 * 9/1999 Ho D29/102
- D. 424,246 * 5/2000 Ho D29/102
- D. 426,032 * 5/2000 Ho D29/102
- D. 426,677 * 6/2000 Ho D29/102
- D. 427,727 * 7/2000 Ho D29/102

- D. 428,534 * 7/2000 Ho D29/102
- D. 436,694 * 1/2001 Ho D29/102
- D. 436,695 * 1/2001 Ho D29/102

* cited by examiner

Primary Examiner—Ruth McInroy

(74) *Attorney, Agent, or Firm*—Dougherty & Troxell

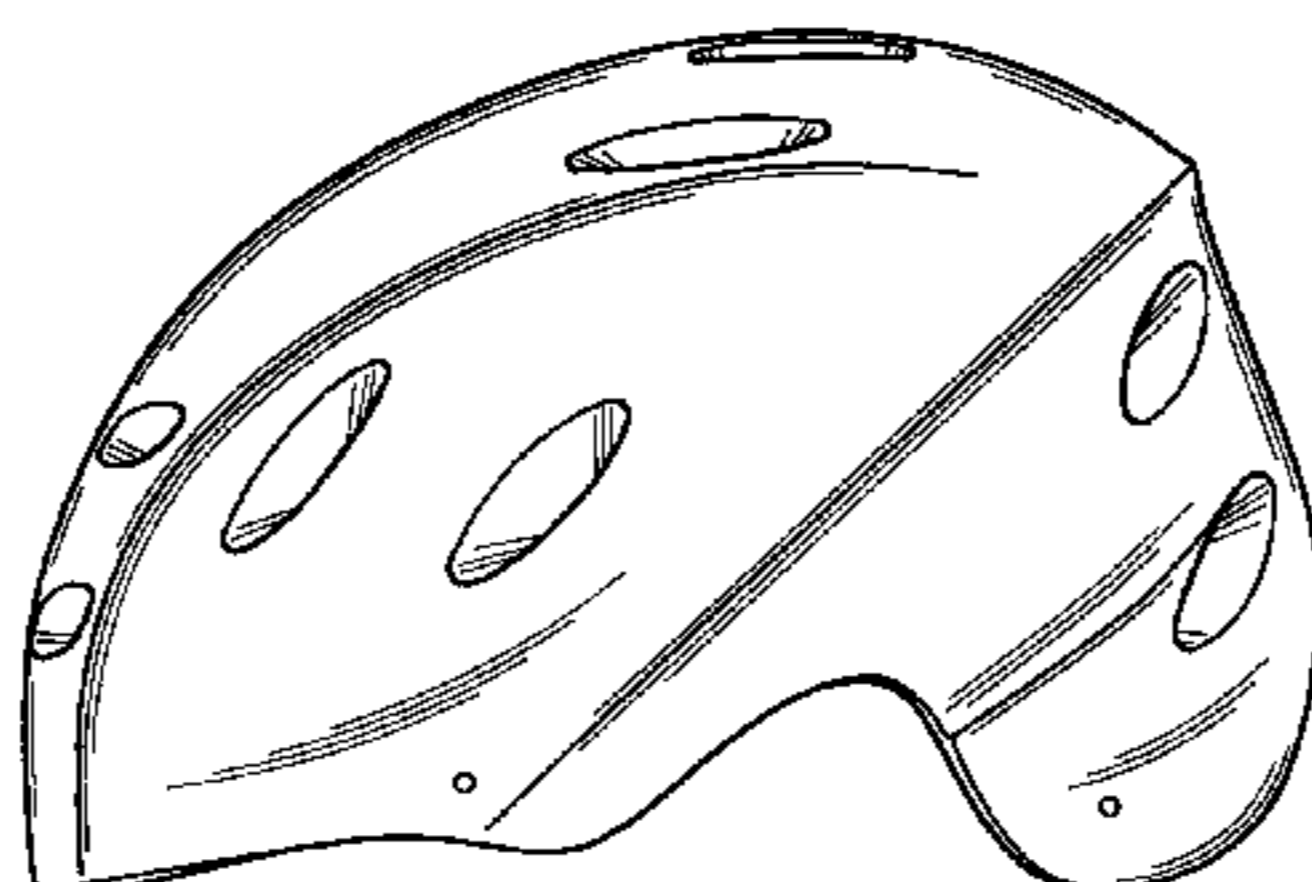
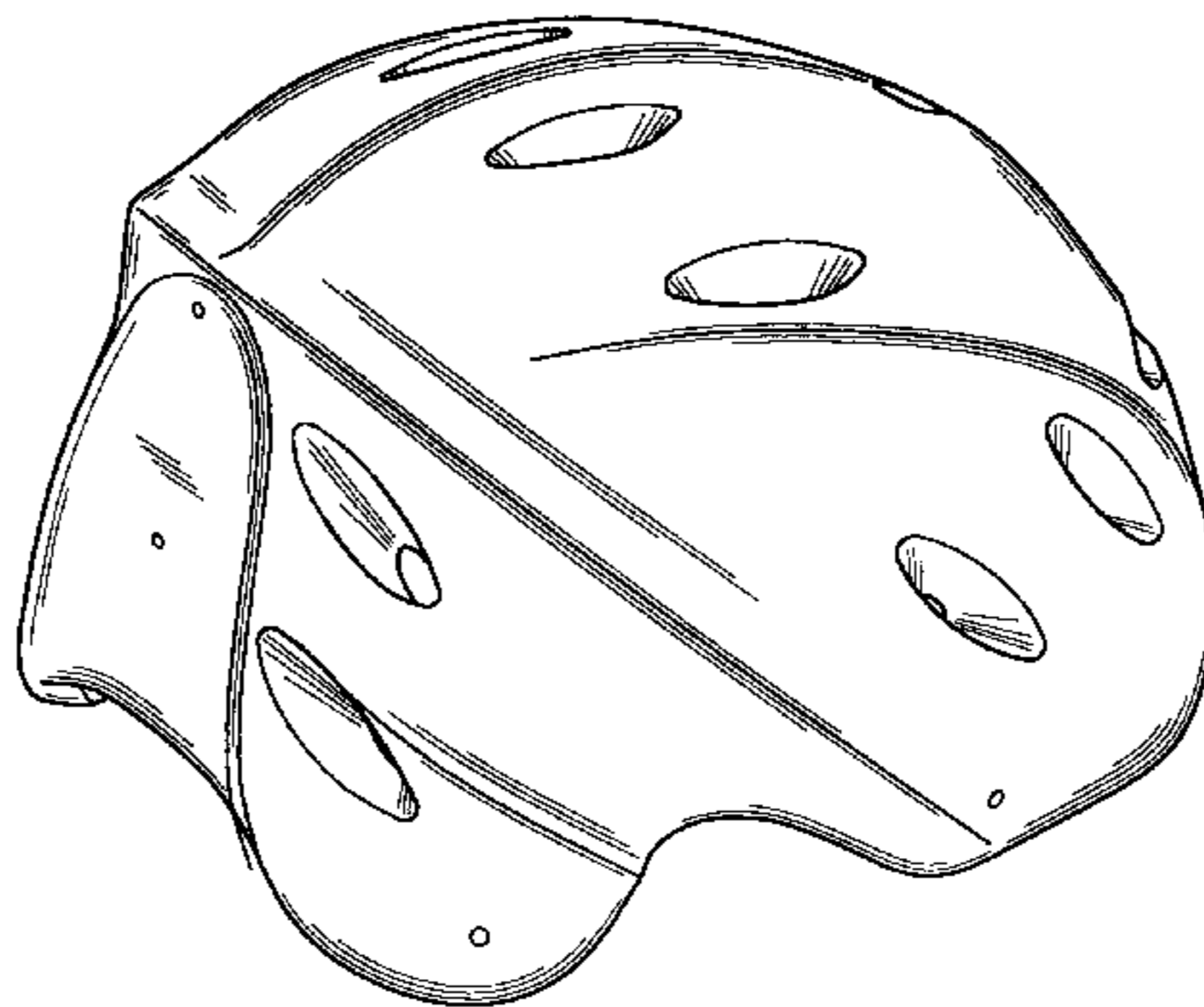
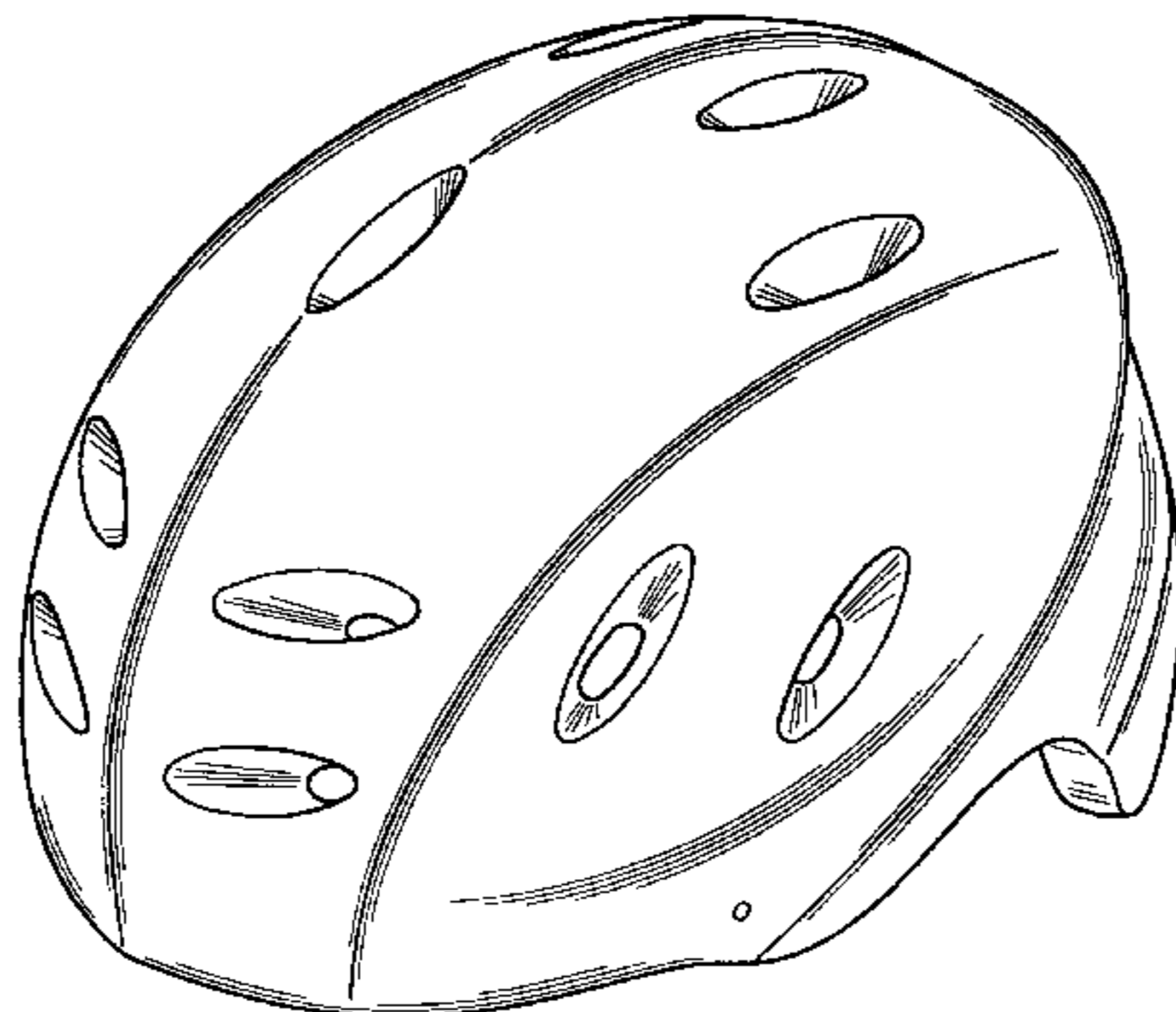
(57) **CLAIM**

The ornamental design for a safety helmet, shown and described.

DESCRIPTION

FIG. 1 is a front side perspective view of a safety helmet showing our new design;
 FIG. 2 is a rear side perspective view thereof;
 FIG. 3 is a front elevational view thereof;
 FIG. 4 is a rear elevational view thereof;
 FIG. 5 is a left side elevational view thereof;
 FIG. 6 is a right side elevational view thereof;
 FIG. 7 is a top view thereof; and,
 FIG. 8 is a bottom view thereof.

1 Claim, 5 Drawing Sheets



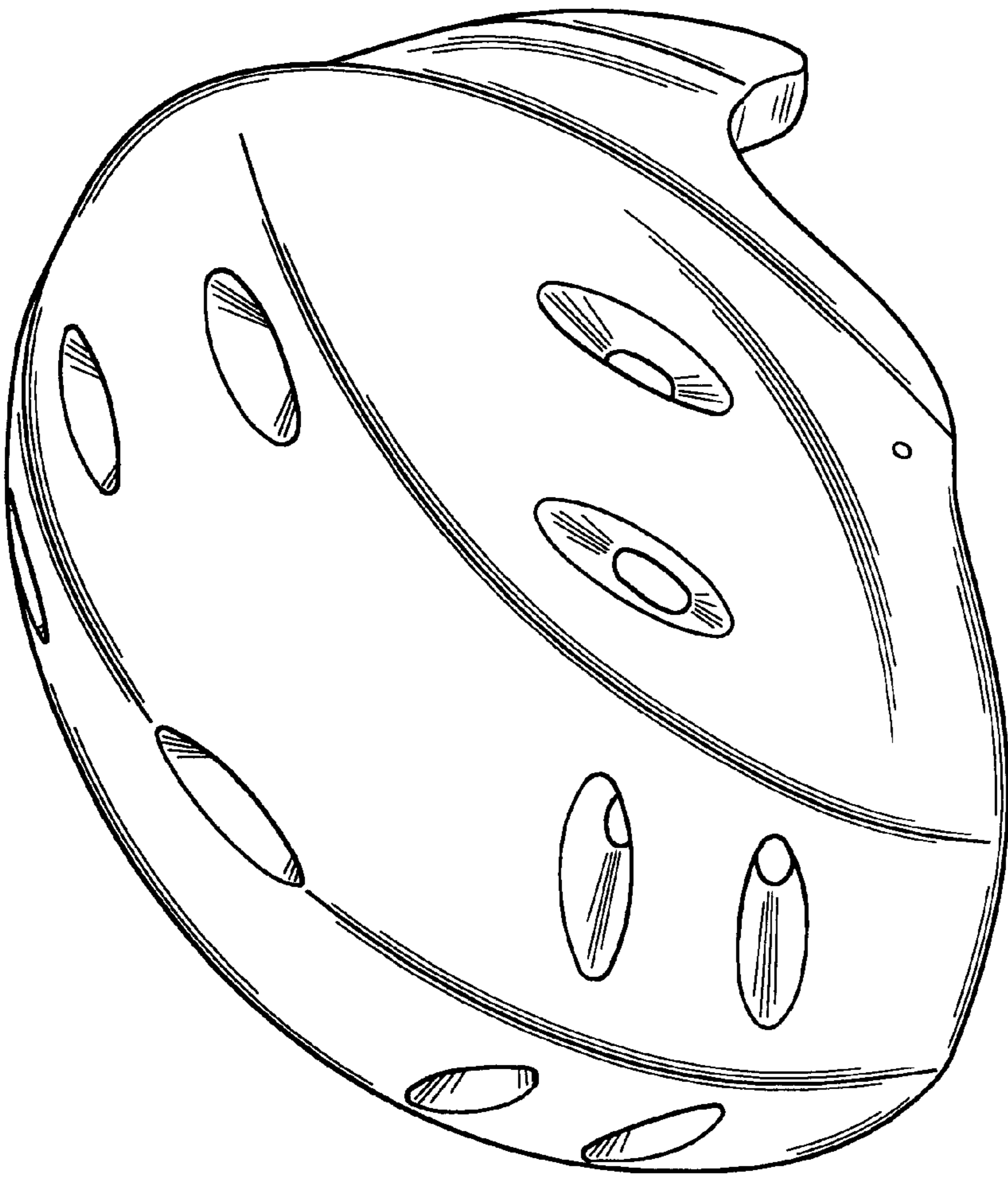


Fig. 1

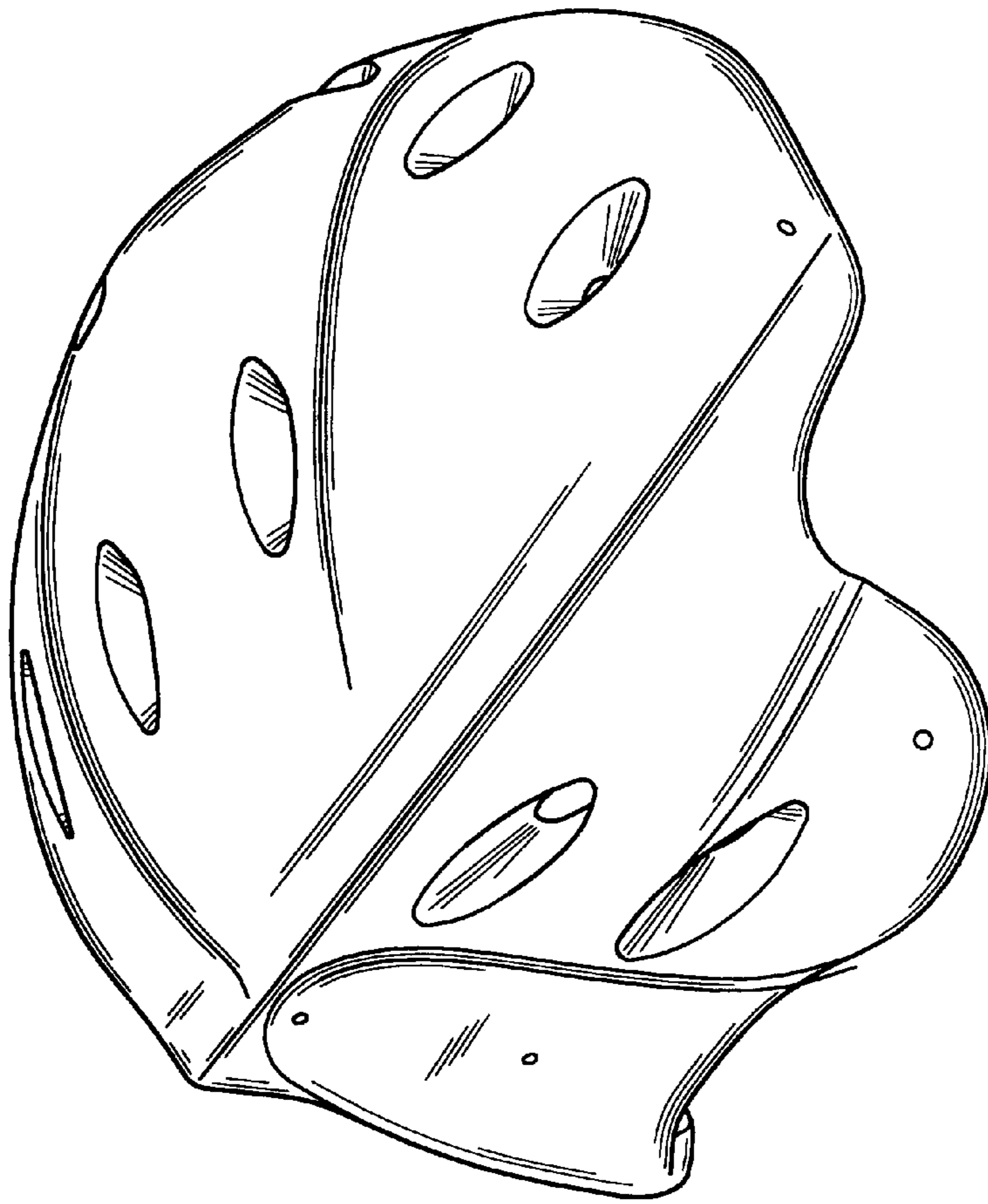


Fig. 2

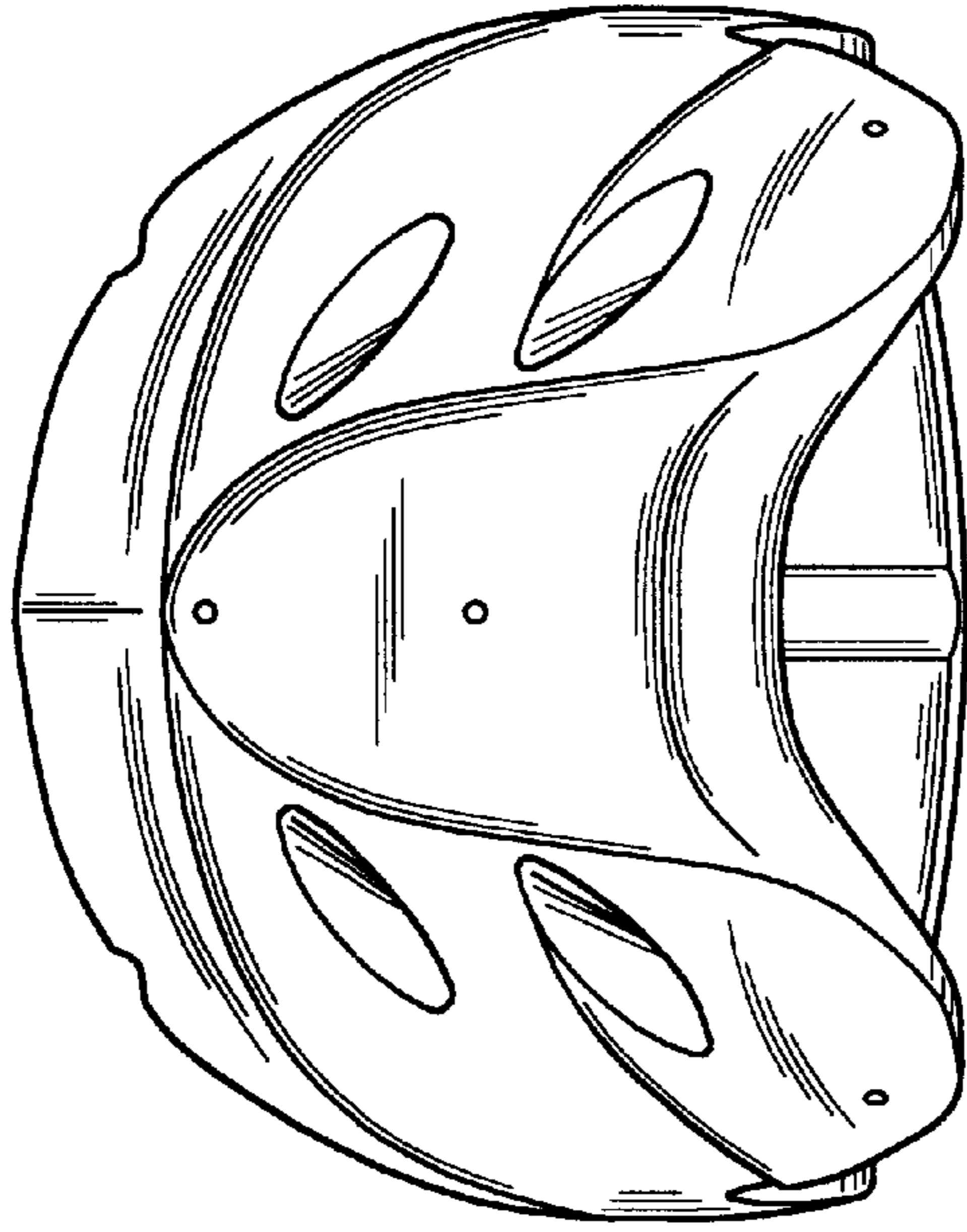


Fig. 4

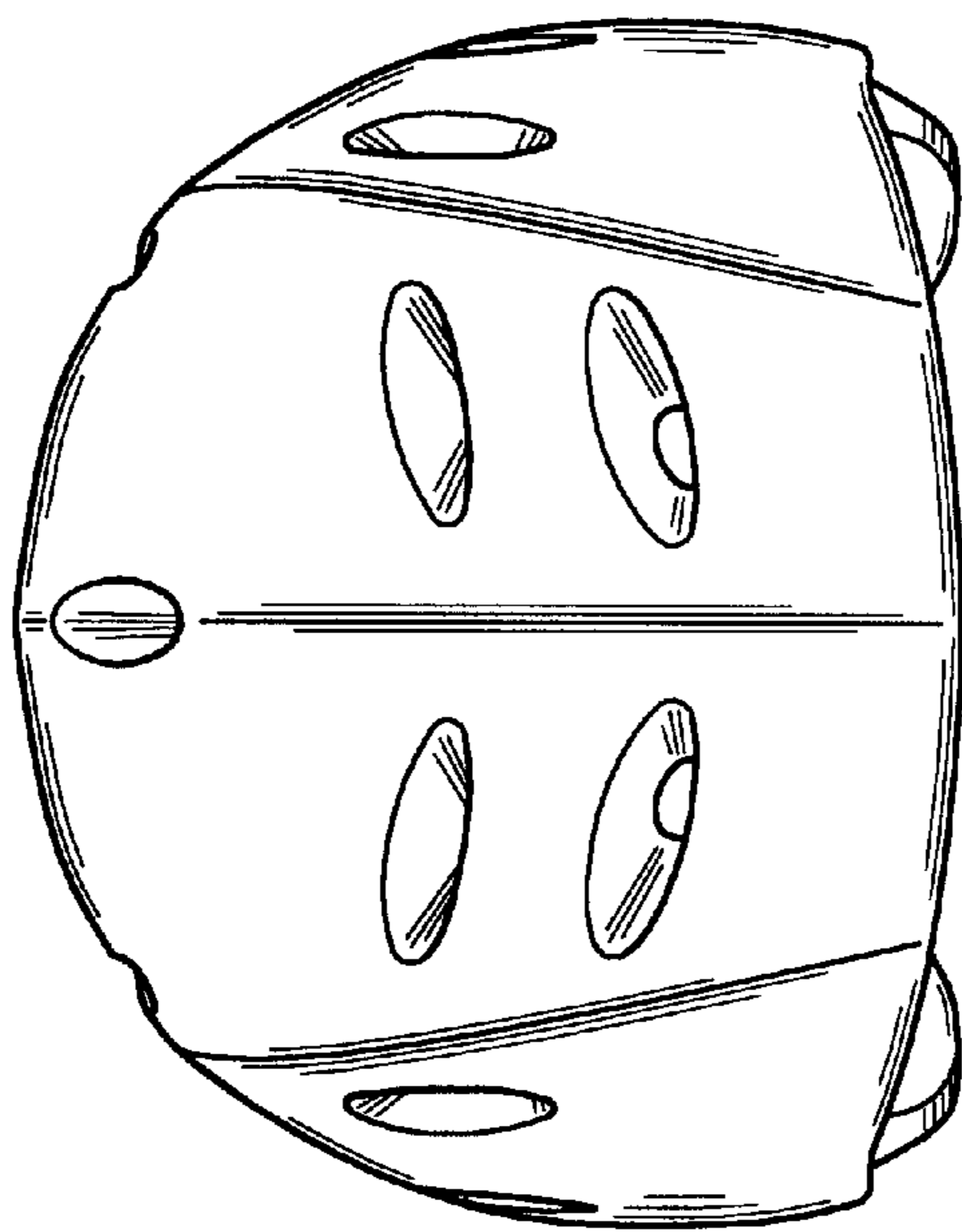


Fig. 3

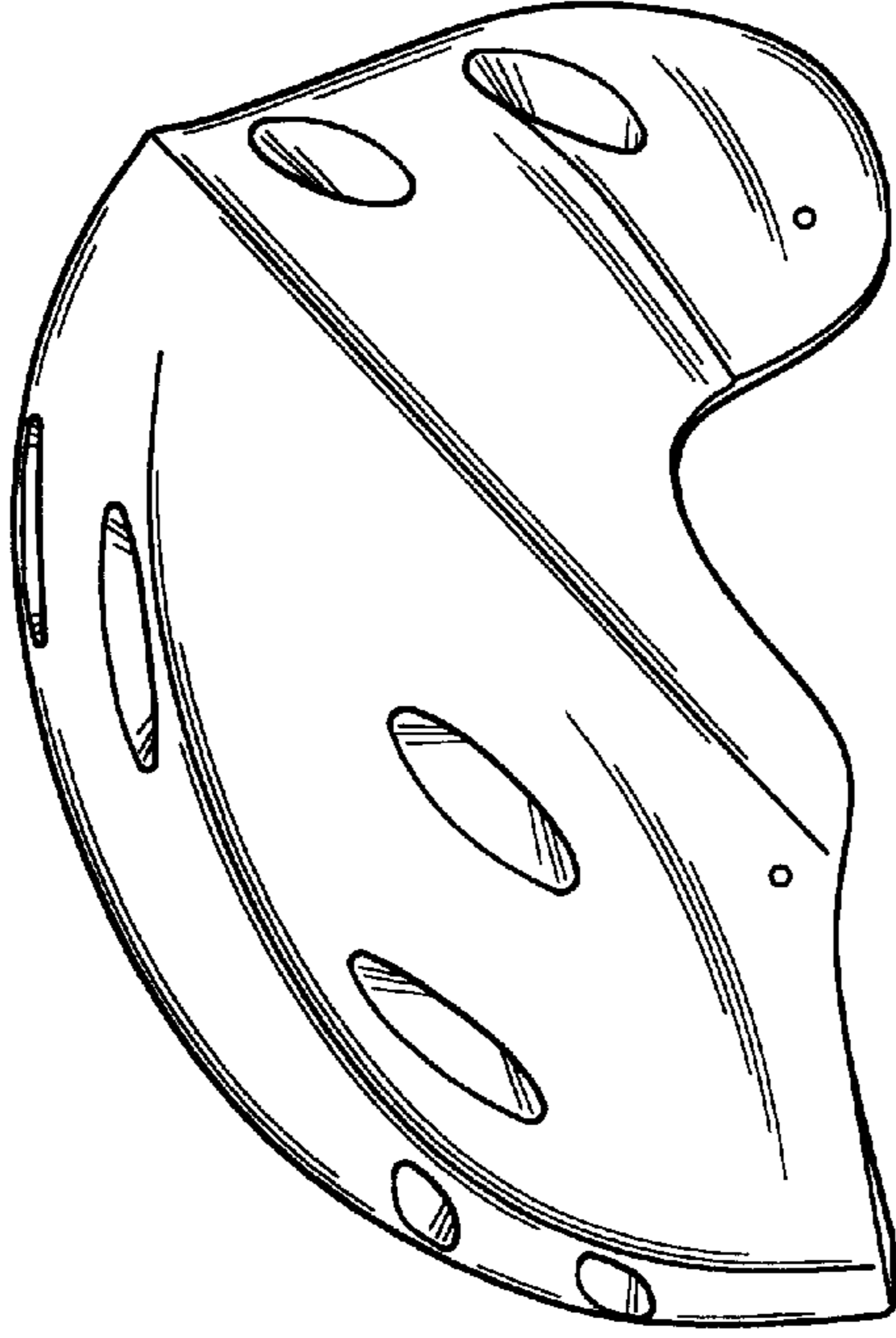


Fig. 6

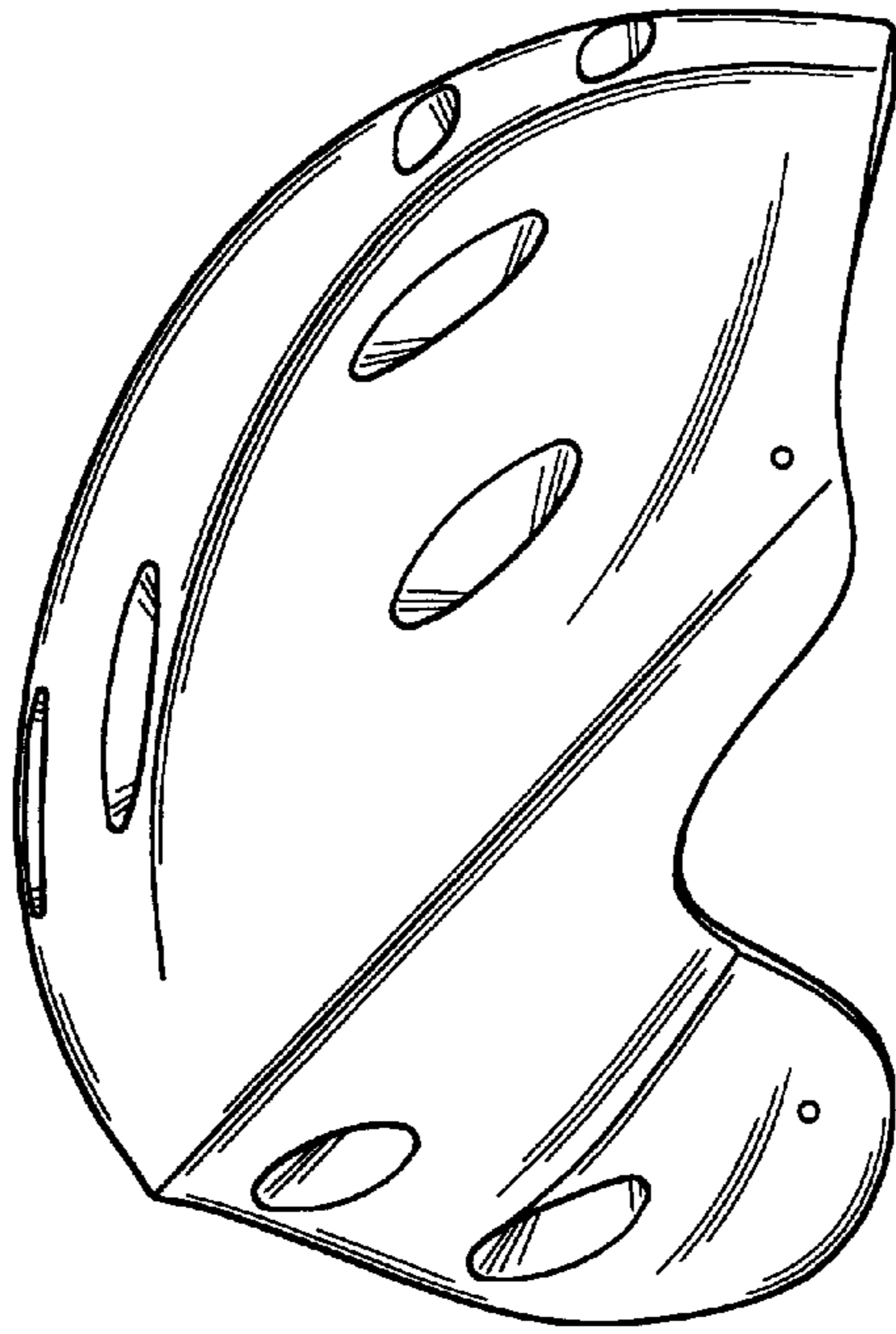


Fig. 5

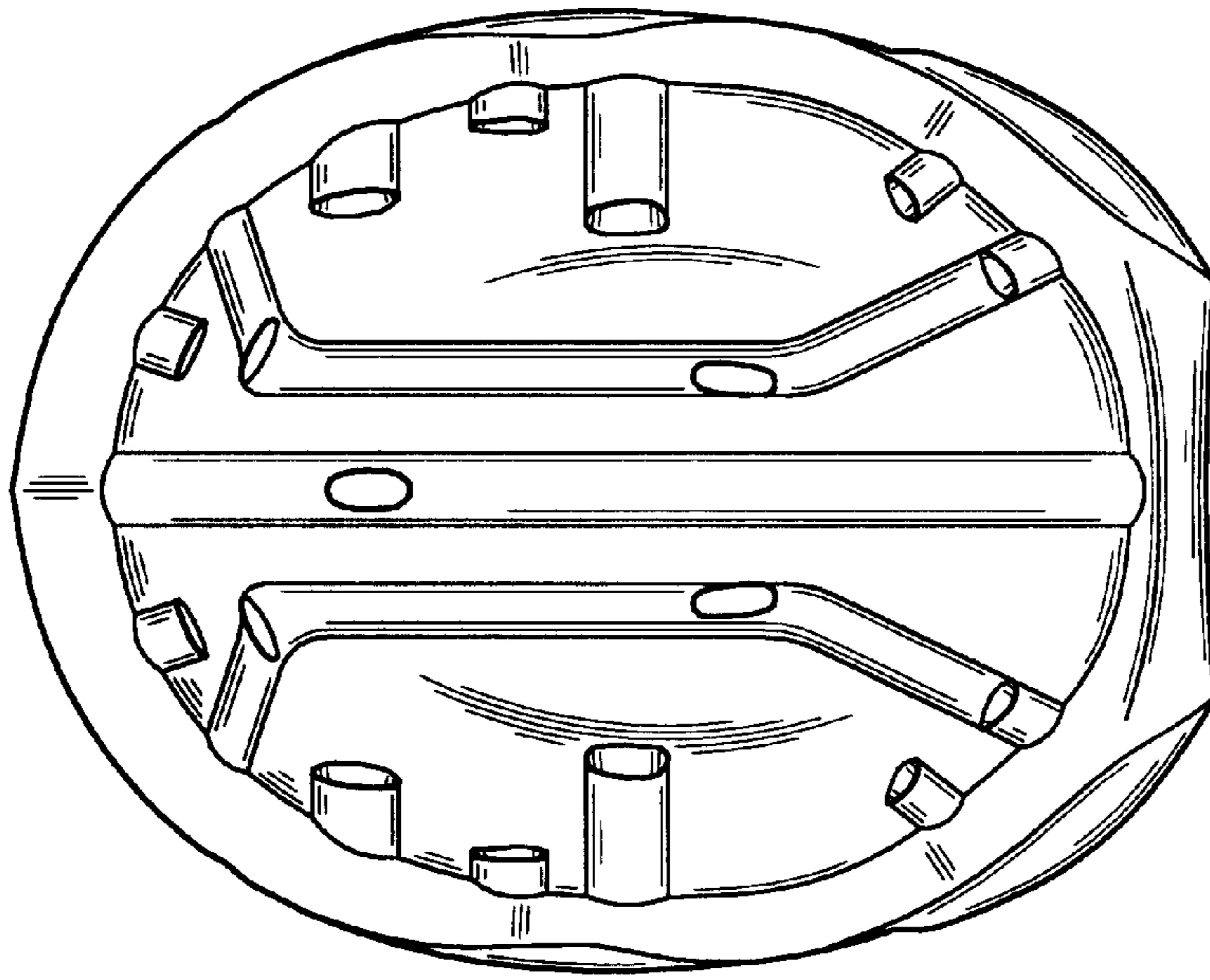


Fig. 8

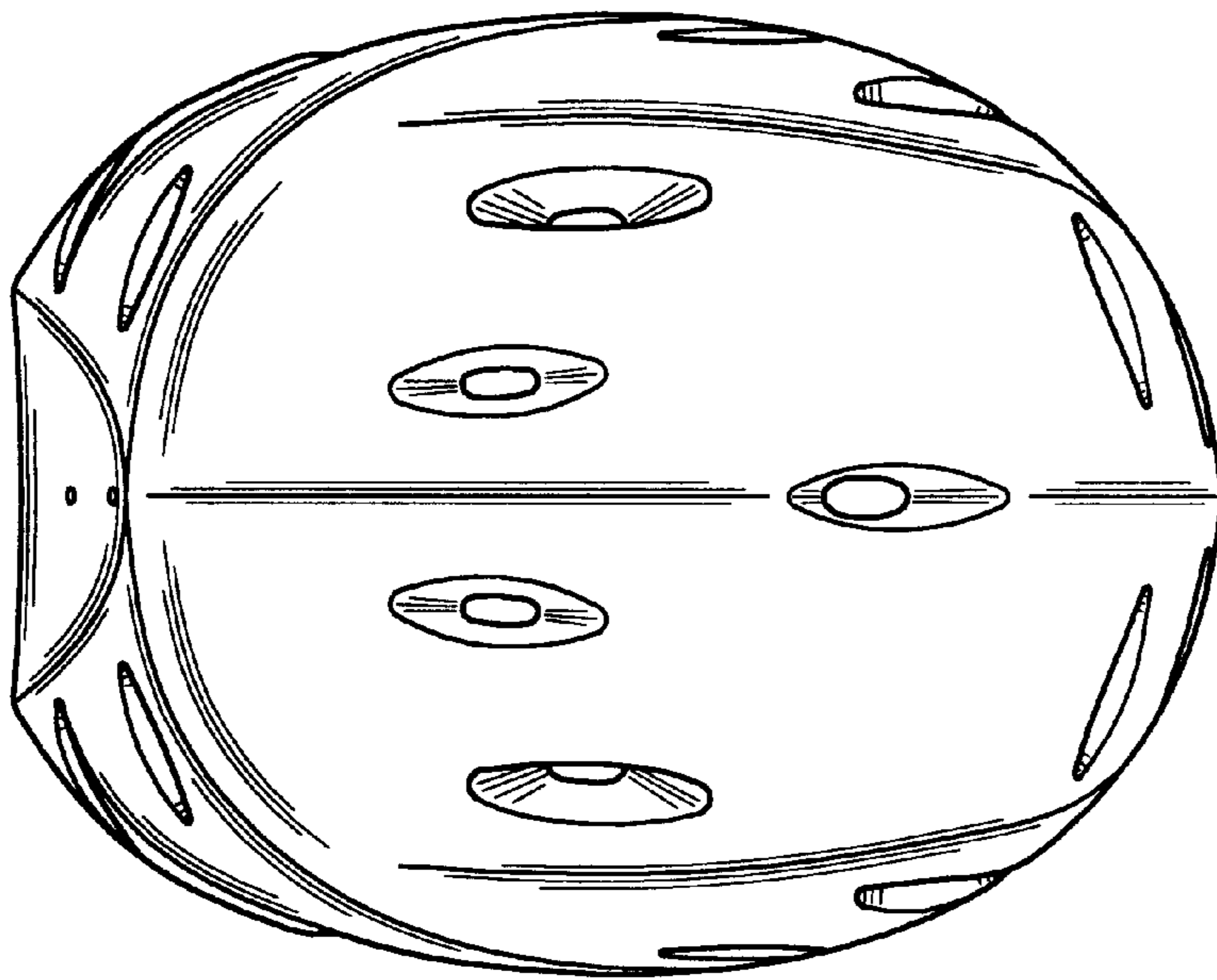


Fig. 7