



US00D445218S

(12) **United States Design Patent**
Watters et al.

(10) **Patent No.:** **US D445,218 S**

(45) **Date of Patent:** **** Jul. 17, 2001**

(54) **HELMET**

(75) Inventors: **Robert D. Watters**, Ottawa; **John C. Tutton**, North Gower; **Aldo F. Balatti**, Greely; **Mark A. Fletcher**, Ottawa; **Nicholas Shewchenko**, Chelsea; **Timothy Douglas Bayne**, Ottawa; **Christopher Robert Patrick Withnall**, Nepean, all of (CA)

(73) Assignee: **Sportscope Inc.**, Chicago, IL (US)

(**) Term: **14 Years**

(21) Appl. No.: **29/113,173**

(22) Filed: **Oct. 29, 1999**

(51) **LOC (7) Cl.** **29-02**

(52) **U.S. Cl.** **D29/102**

(58) **Field of Search** D29/102-107,
D29/109, 122; 2/410, 411, 412, 414, 416,
417, 421, 422, 423, 425

(56) **References Cited**

U.S. PATENT DOCUMENTS

Re. 35,193	4/1996	Shifrin	2/410
D. 293,496	12/1987	Gentes	D29/12
D. 316,165	4/1991	Gentes et al.	D29/12
D. 335,195	4/1993	Choi et al.	D29/13
D. 339,427	9/1993	Gentes	D29/12
D. 347,300	5/1994	Gentes	D29/12
D. 347,711	6/1994	Egger	D29/12
D. 348,750	7/1994	Egger	2/410
D. 352,803	11/1994	Sasaki	D29/102
D. 362,084	9/1995	Egger	D29/102
D. 367,548 *	2/1996	Jeng	D29/102
D. 371,867 *	7/1996	Losi, II	D29/102

(List continued on next page.)

FOREIGN PATENT DOCUMENTS

743022	11/1996	(EP) .
2490466	9/1980	(FR) .
WO 99/08557	2/1999	(WO) .

Primary Examiner—Ruth McInroy

(74) *Attorney, Agent, or Firm*—Michael D. Rehtin; Foley & Lardner

(57) **CLAIM**

The ornamental design for the helmet, as shown and described.

DESCRIPTION

FIG. 1 is an isometric view of a helmet showing our new design;

FIG. 2 is right side view thereof;

FIG. 3 is a front end view thereof;

FIG. 4 is a rear end view thereof;

FIG. 5 is a top plan view thereof;

FIG. 6 is a bottom plan view thereof;

FIG. 7 is an isometric view of a second embodiment thereof;

FIG. 8 is a top plan view of the helmet in FIG. 7;

FIG. 9 is an isometric view of a third embodiment thereof;

FIG. 10 is a right side view of the helmet in FIG. 9;

FIG. 11 is a front end view of the helmet in FIG. 9;

FIG. 12 is a rear end view of the helmet in FIG. 9;

FIG. 13 is a top plan view of the helmet in FIG. 9;

FIG. 14 is a bottom plan view of the helmet in FIG. 9;

FIG. 15 is an isometric view of a fourth embodiment thereof;

FIG. 16 is a right side view of the helmet in FIG. 15;

FIG. 17 is a front end view of the helmet in FIG. 15;

FIG. 18 is a rear end view of the helmet in FIG. 15;

FIG. 19 is a top plan view of the helmet in FIG. 15;

FIG. 20 is a bottom plan view of the helmet in FIG. 15;

FIG. 21 is an isometric view of a fifth embodiment thereof;

FIG. 22 is a right side view of the helmet in FIG. 21;

FIG. 23 is a front end view of the helmet in FIG. 21;

FIG. 24 is a rear end view of the helmet in FIG. 21;

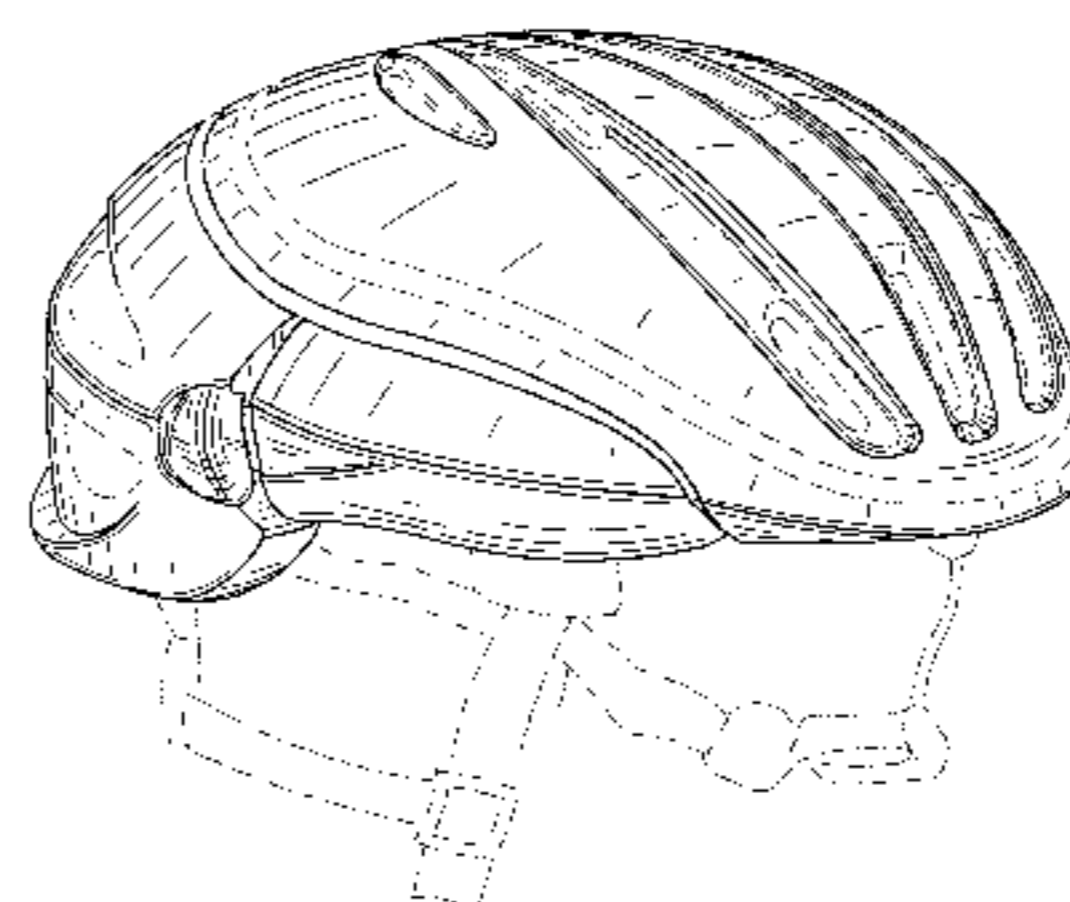
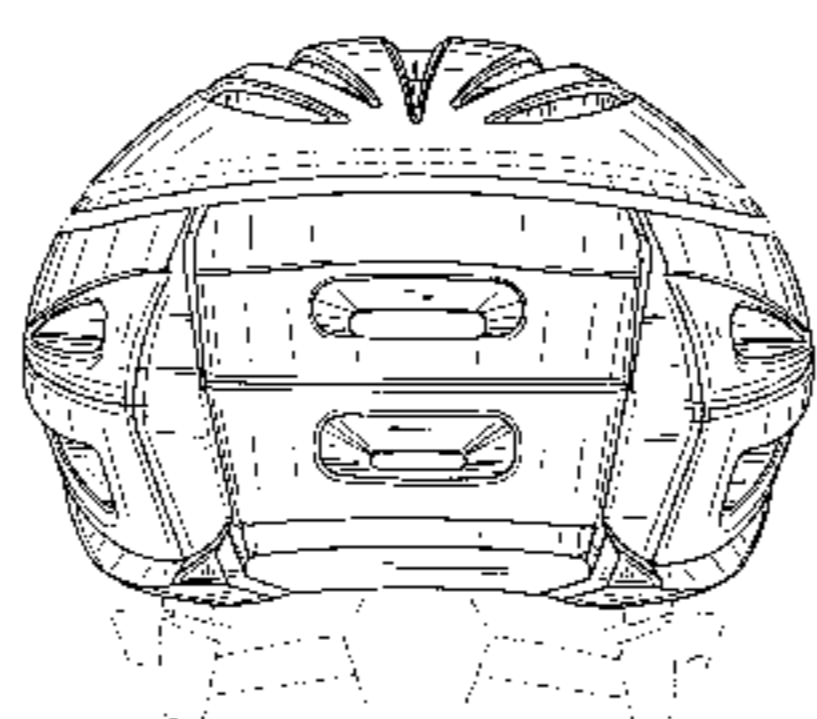
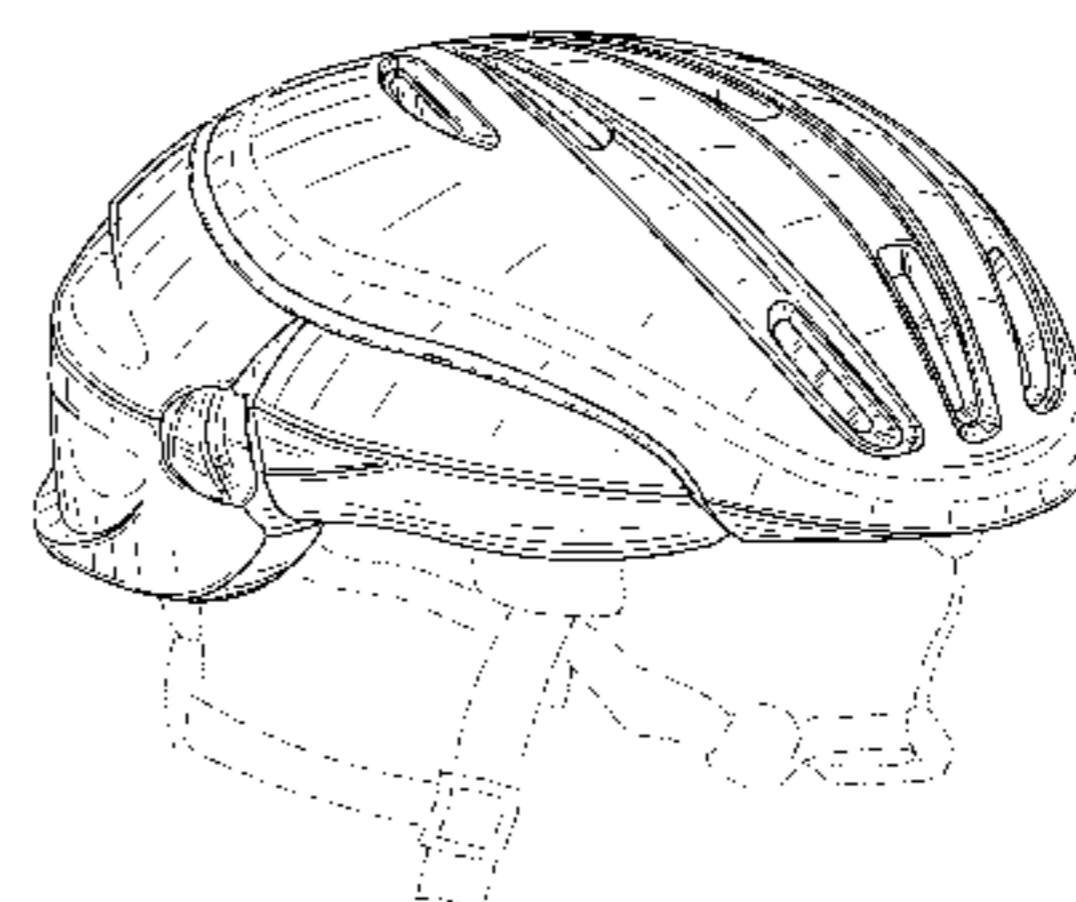
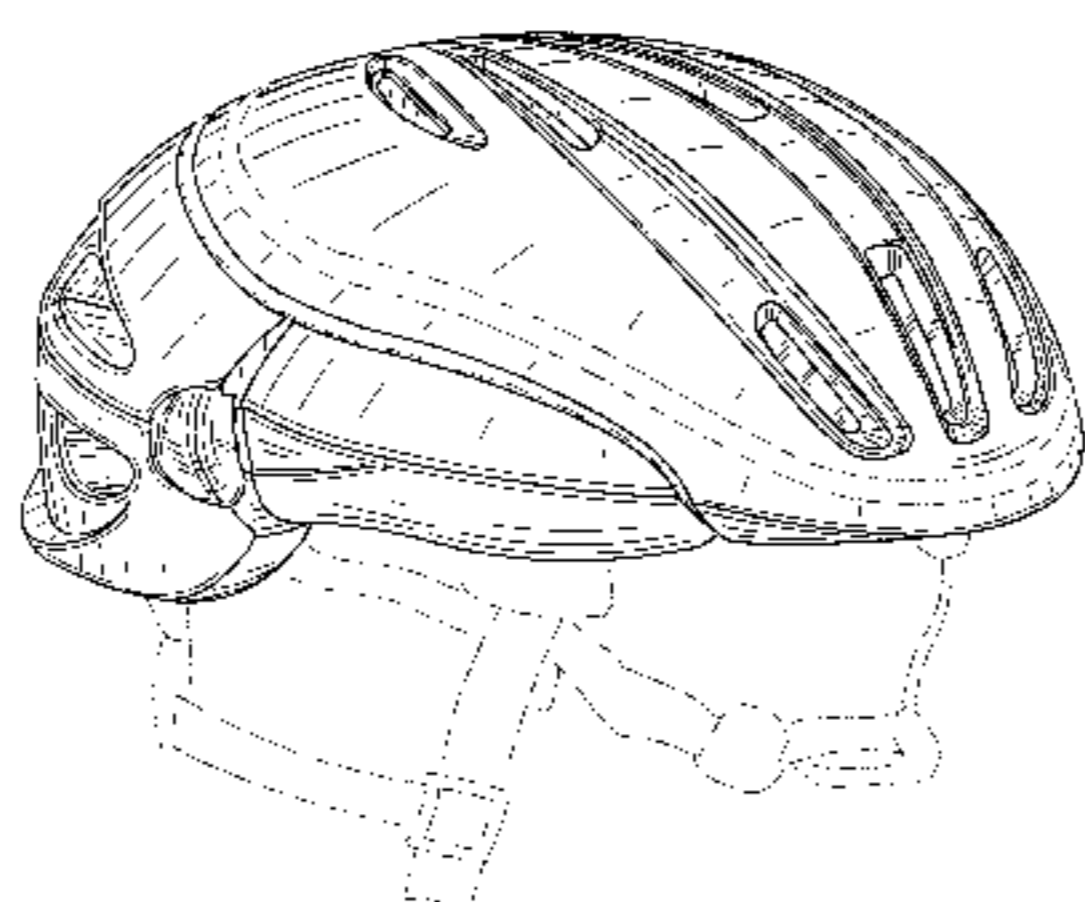
FIG. 25 is a top plan view of the helmet in FIG. 21; and,

FIG. 26 is a bottom plan view of the helmet in FIG. 21.

The broken lines in all views are for illustrative purposes only and form no part of the claimed design.

The missing right, front and bottom views of the second embodiment of FIGS. 7 and 8 are the same as FIGS. 2, 3 and 6.

1 Claim, 13 Drawing Sheets



US D445,218 S

Page 2

U.S. PATENT DOCUMENTS				
		5,099,523	3/1992	Broersma 2/411
		5,119,516	6/1992	Broersma 2/411
		5,123,121	6/1992	Broersma 2/421
		5,139,017	8/1992	McCloud 128/201.28
D. 380,870	7/1997 Szabados D29/102	5,269,025	12/1993	Broersma 2/411
D. 383,875	9/1997 Morgan D29/103	5,351,341	10/1994	Broersma 2/421
D. 385,663 *	10/1997 Hefling et al. D29/106	5,376,318	12/1994	Ho 264/46.8
D. 387,501	12/1997 Cheng D29/102	5,381,560	1/1995	Halstead 2/421
D. 407,860	4/1999 Cox et al. D29/122	5,450,631	9/1995	Egger 2/425
D. 410,571 *	6/1999 Lu D29/102	5,467,485	11/1995	Casartelli 2/421
D. 415,593 *	10/1999 Tang D29/102	5,479,325	12/1995	Chien 362/105
D. 424,246 *	5/2000 Ho D29/102	5,481,762	1/1996	Gentes et al. 2/411
D. 426,032 *	5/2000 Ho D29/102	5,515,546	5/1996	Shifrin .
D. 428,534 *	7/2000 Ho D29/102	5,517,698	5/1996	Nault et al. 2/422
2,710,972	6/1955 Radnofsky 2/195	5,519,895	5/1996	Barnes, Jr. 2/422
3,082,427	3/1963 Zbikowski 2/3	5,544,027	8/1996	Orsano 362/105
3,087,166	4/1963 Howard 2/3	5,551,094	9/1996	Navone 2/421
3,155,981	11/1964 McKissick 2/3	5,555,570	9/1996	Bay, Jr. 2/424
3,197,784	8/1965 Carlisle 2/3	5,559,680	9/1996	Tabanera 362/106
3,204,251	9/1965 Child 2/3	5,564,129	10/1996	Ball et al. 2/422
3,529,306	9/1970 Thorne 2/3	5,581,819	12/1996	Garneau 2/421
4,434,514	3/1984 Sundahl 2/245	5,615,410	3/1997	DeMars 455/90
4,443,891	4/1984 Blomgren et al. 2/414	5,619,756	4/1997	Garneau 2/425
4,665,569	5/1987 Santini 2/425	5,621,923	4/1997	Tapocik 2/422
4,724,549	2/1988 Herder et al. 2/411	5,651,145	7/1997	Egger 2/425
4,766,616	8/1988 Donahue 2/422	5,661,854	9/1997	March, II 2/410
4,776,324	10/1988 Clarren 128/76	5,666,700	9/1997	Anscher et al. 24/163
4,827,537	5/1989 Villa 2/410	5,675,843	10/1997	Grim et al. 2/422
4,845,786	7/1989 Chiarella 2/421	5,687,426	11/1997	Sperber 2/411
4,897,888	2/1990 Broersma 2/421	5,745,923	5/1998	Katz 2/411
4,901,373	2/1990 Broersma 2/421	5,745,924	5/1998	Egger 2/425
4,903,348	2/1990 Broersma 2/421	5,774,901	7/1998	Minami 2/421
4,903,350	2/1990 Gentes et al. 2/421	5,794,272	8/1998	Workman et al. 2/421
4,912,777	4/1990 Gasbarro 2/2.1 R	5,813,055	9/1998	Egger 2/425
4,993,082	2/1991 Gentes et al. 2/410	5,871,271	2/1999	Chien 362/106
4,995,117	2/1991 Mirage 2/410	5,887,288	3/1999	Arney et al. 2/421
5,012,533	5/1991 Raffler 2/420			
5,023,958	6/1991 Rotzin 2/411			
5,083,321	1/1992 Davidsson 2/421			
5,088,130	2/1992 Chiarella 2/411			

* cited by examiner

FIG. 1

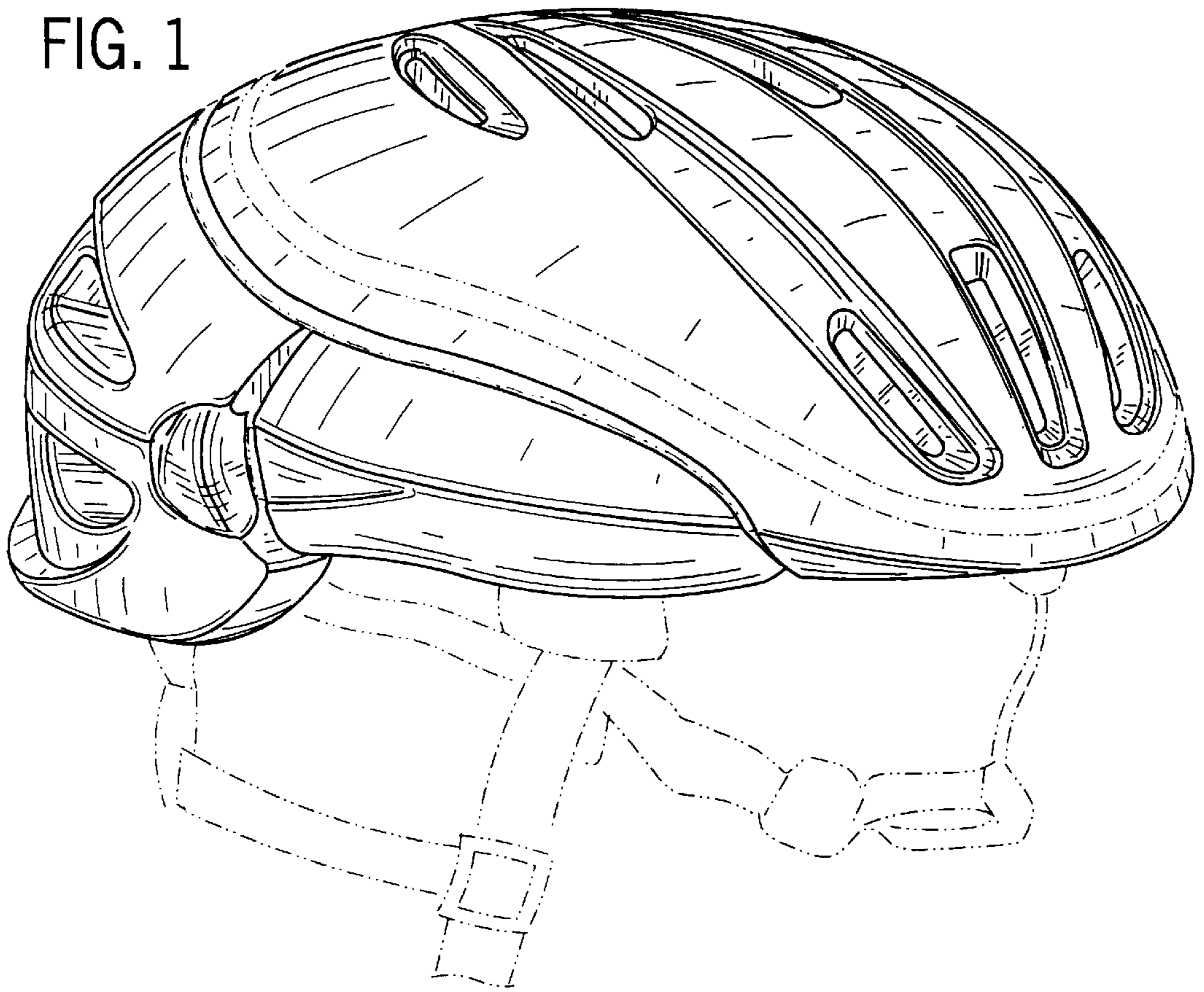


FIG. 2

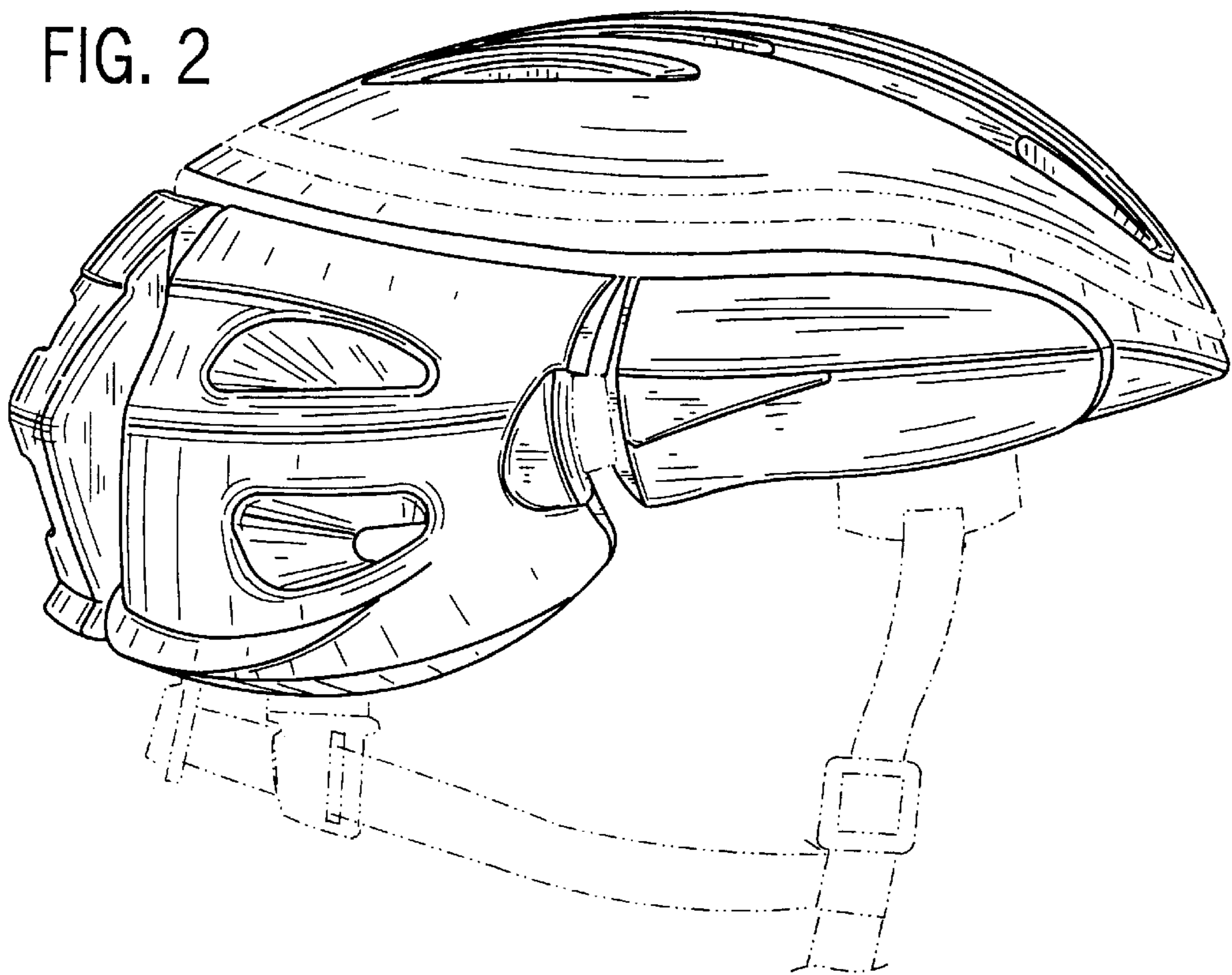


FIG. 3

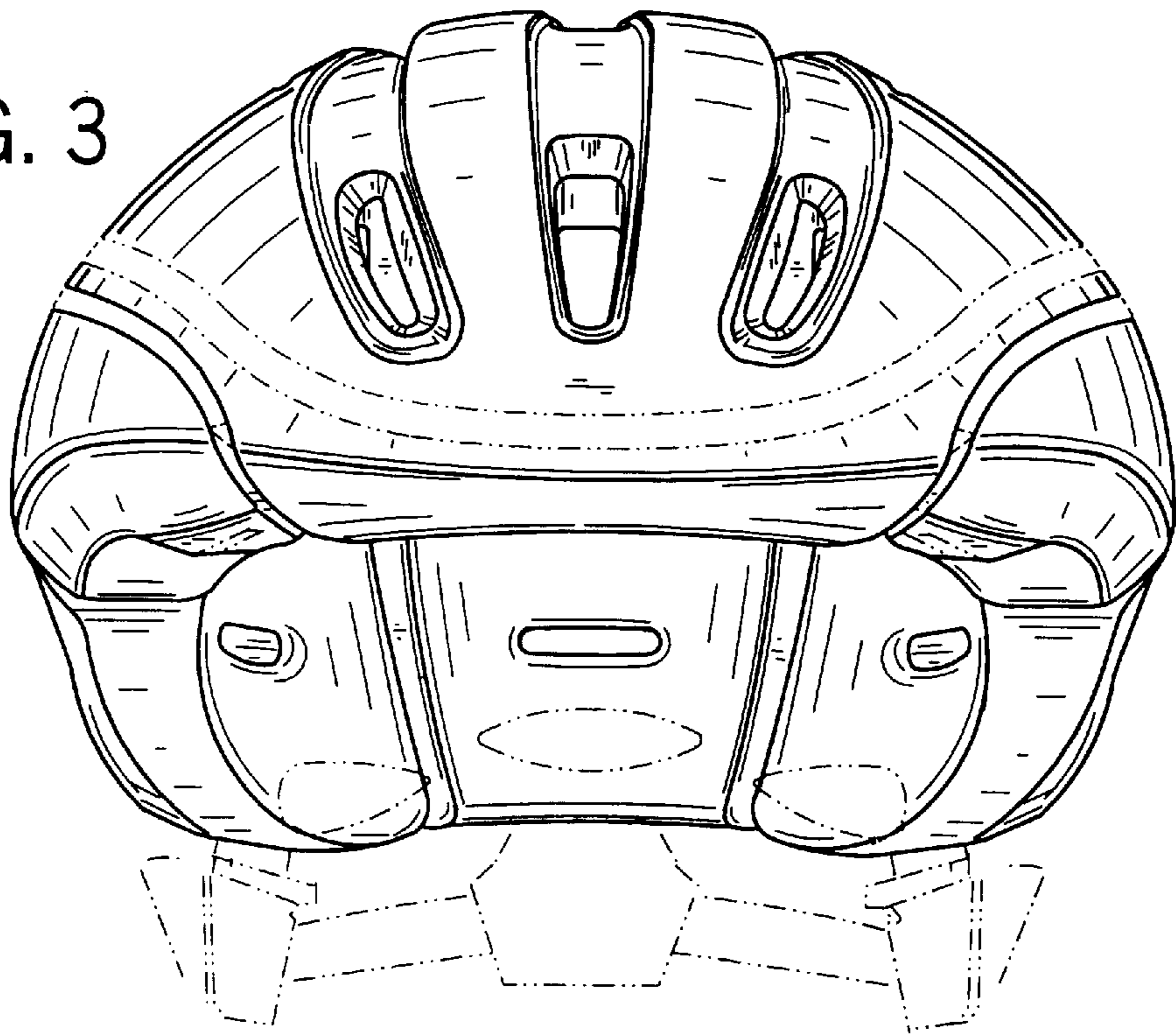


FIG. 4

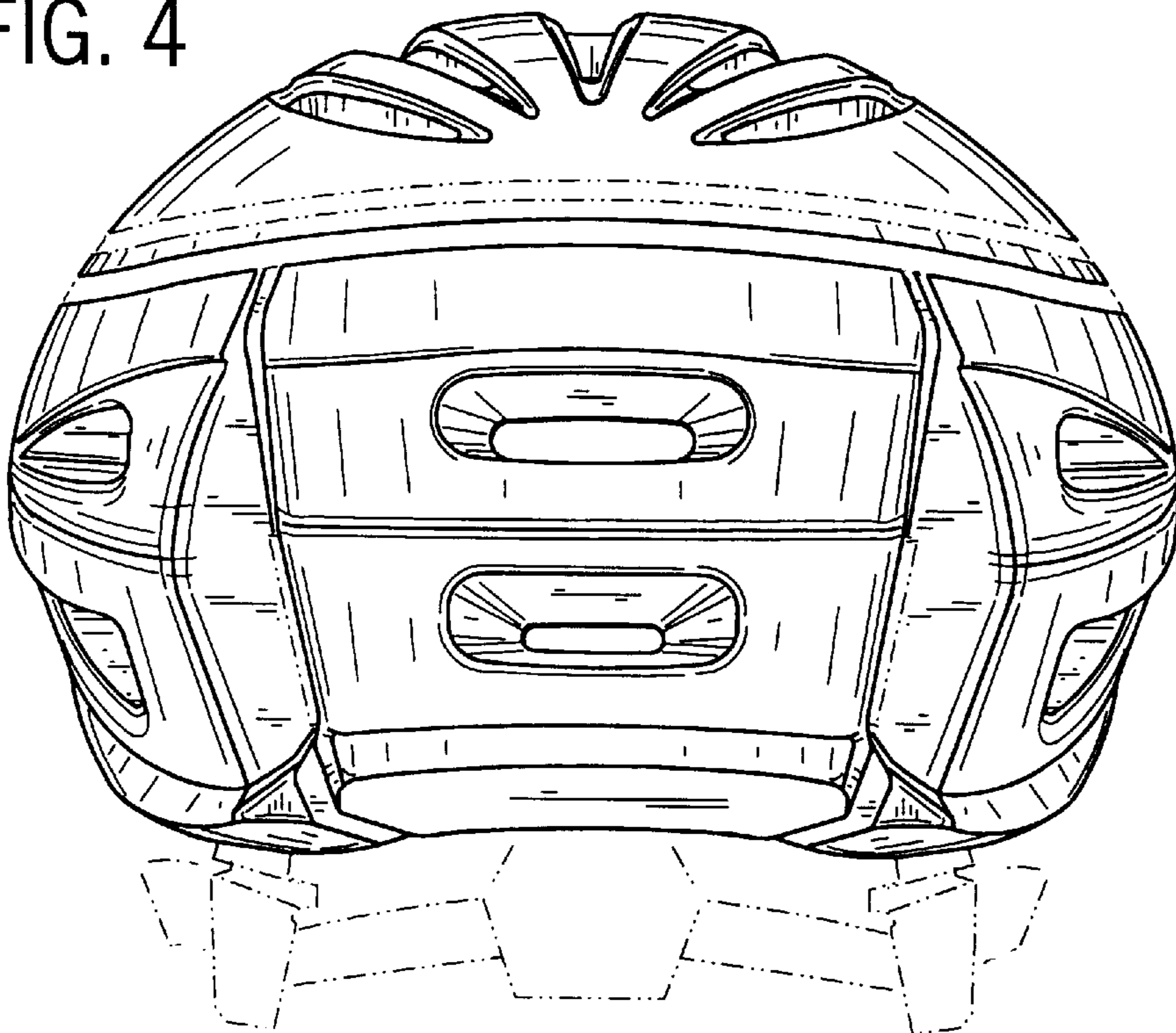


FIG. 5

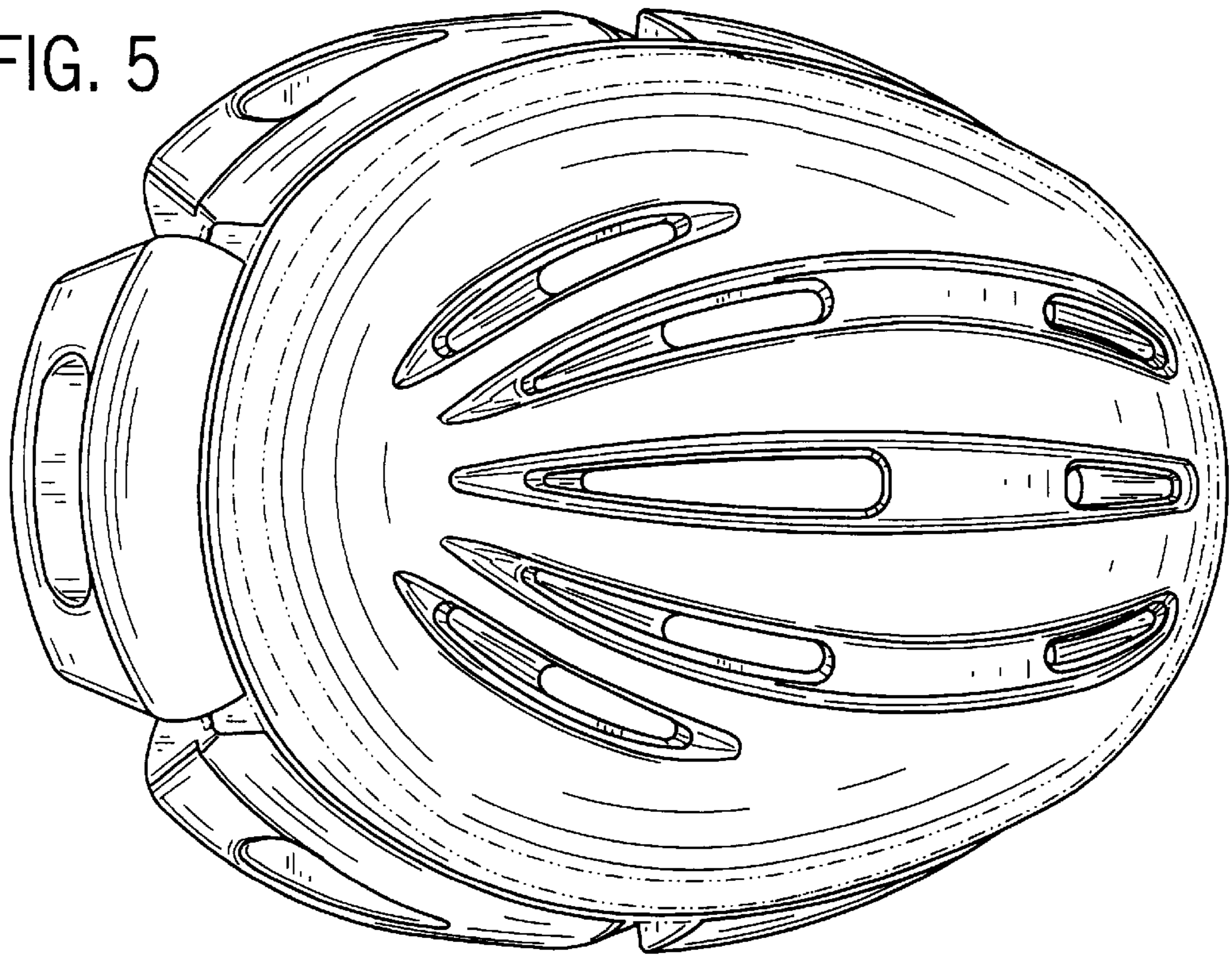


FIG. 6

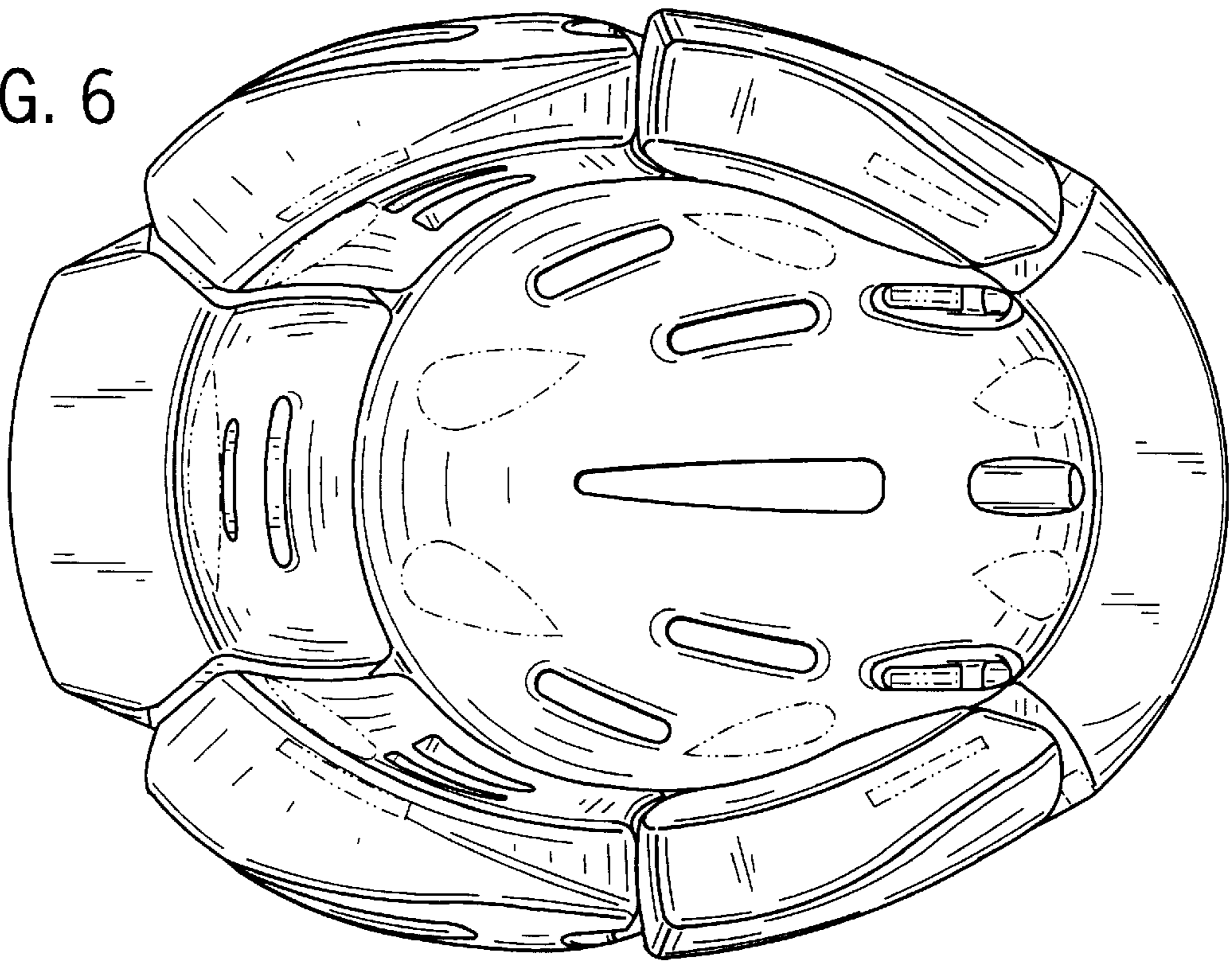


FIG. 7

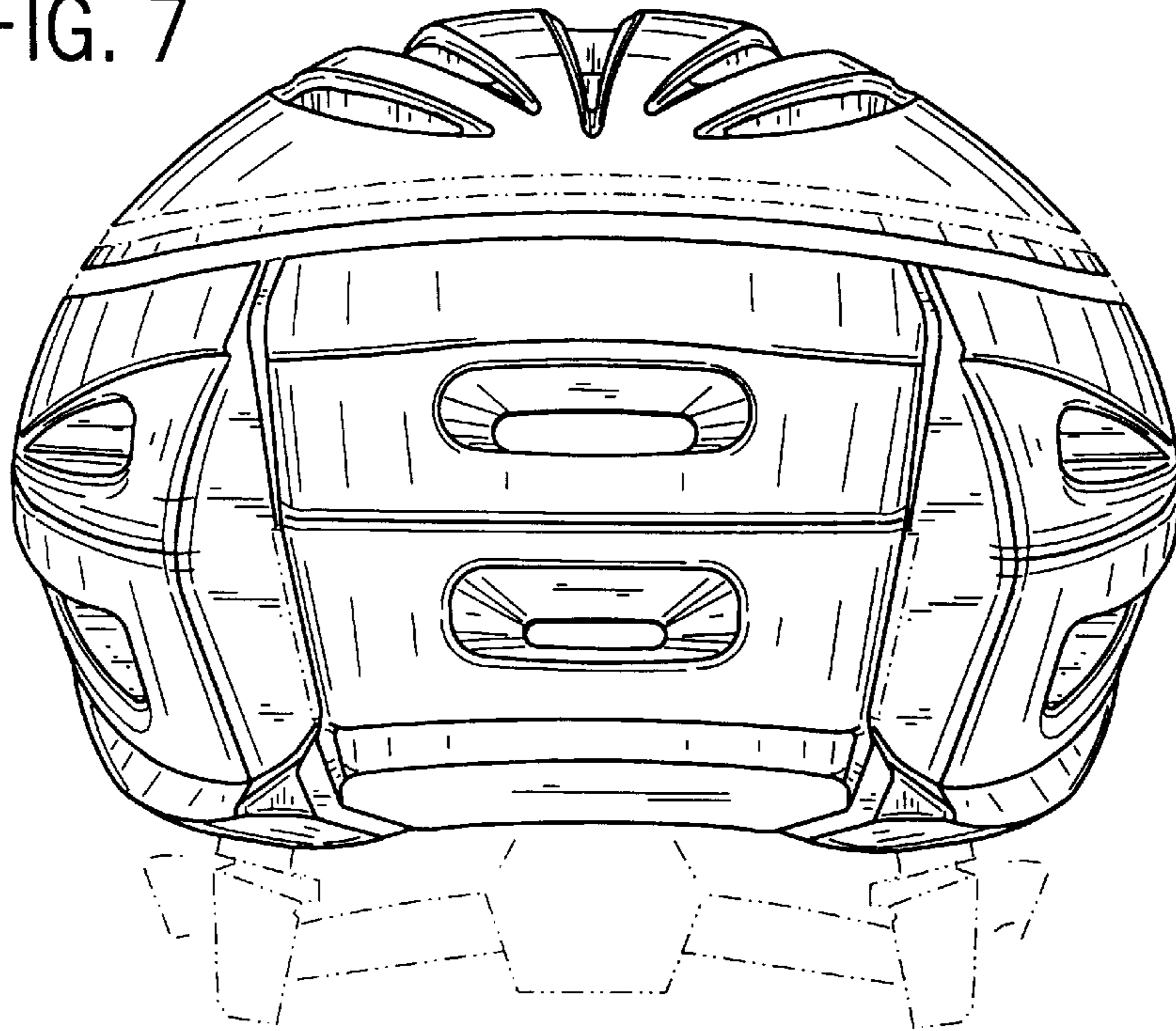


FIG. 8

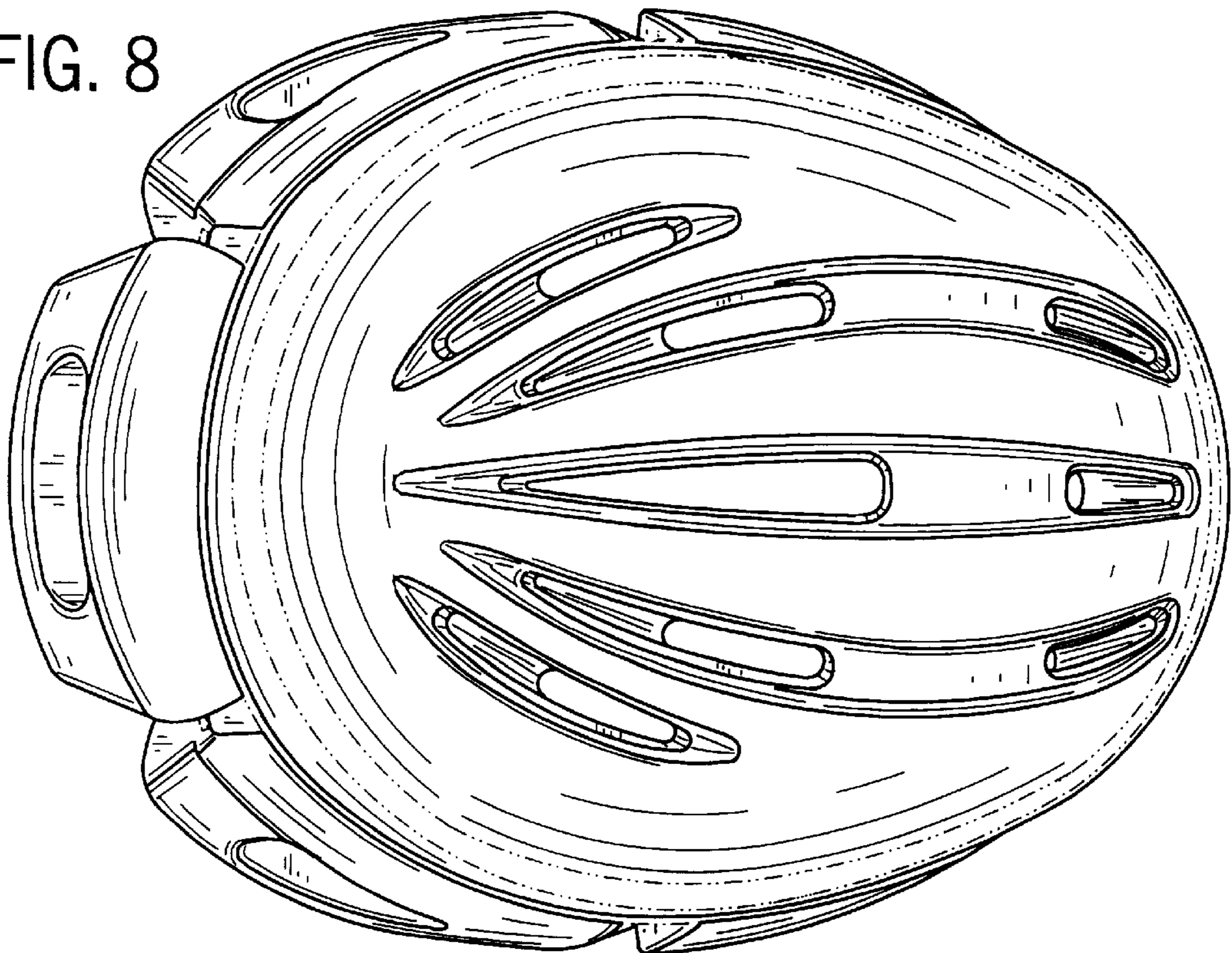


FIG. 9

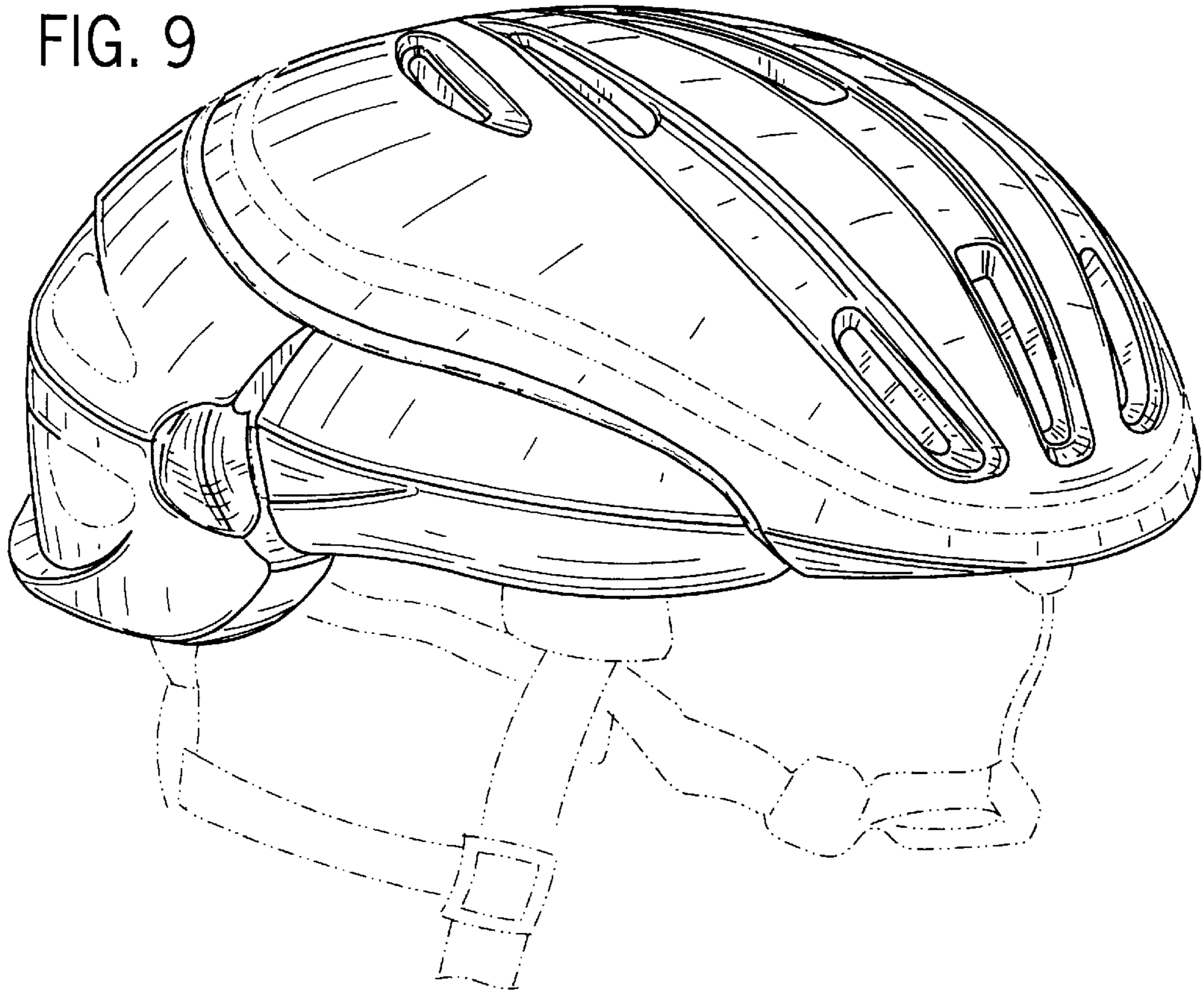


FIG. 10

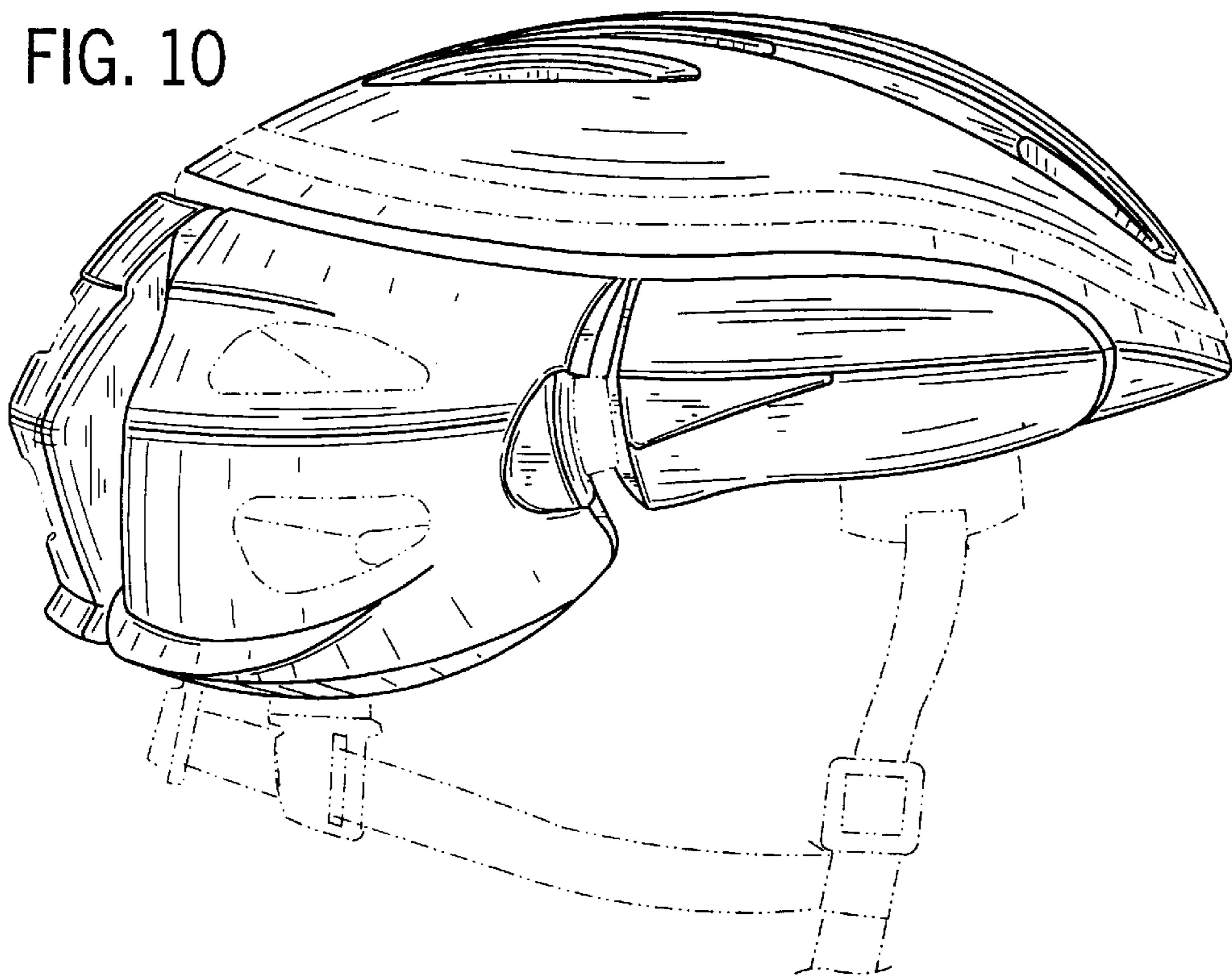


FIG. 11

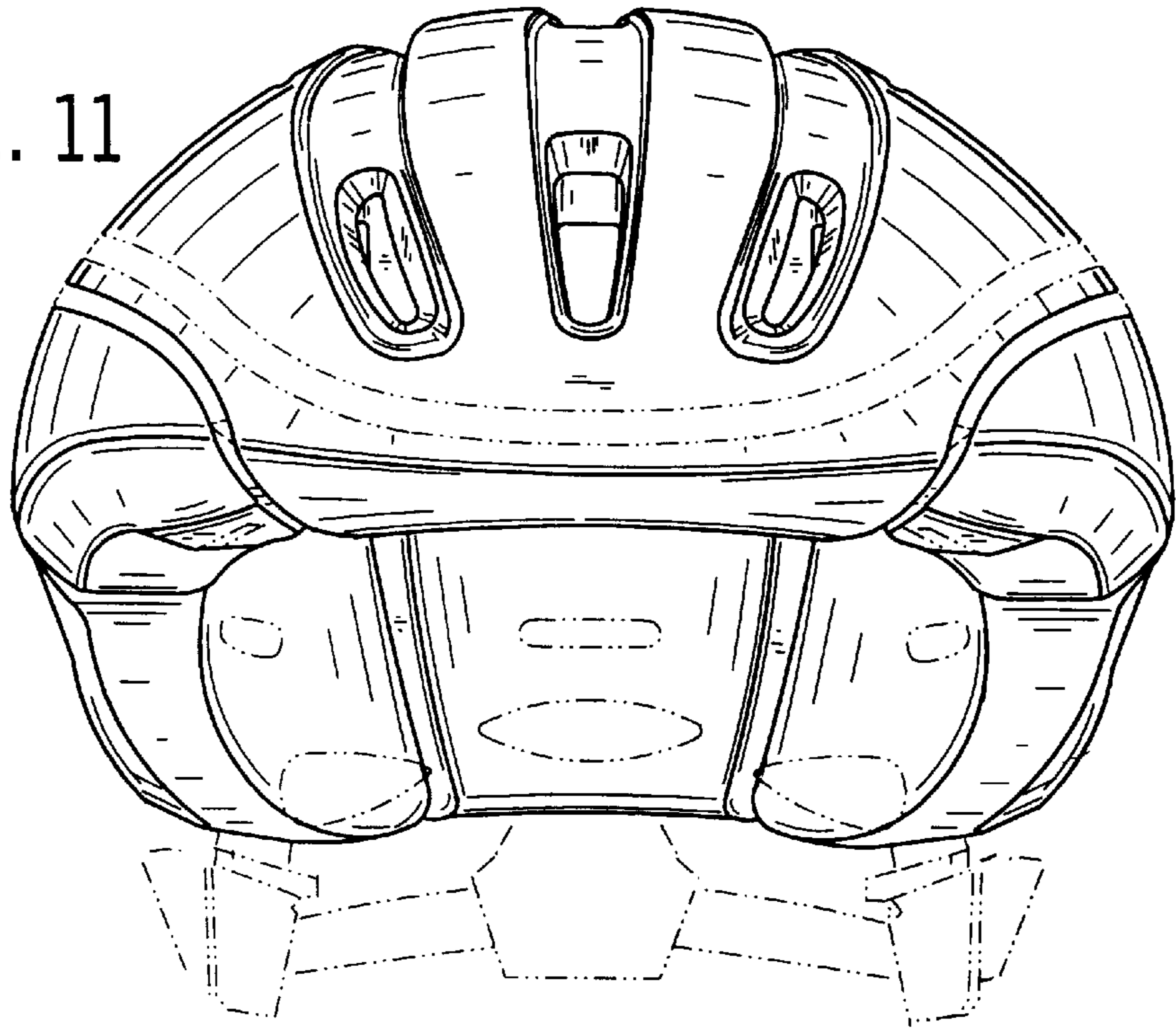


FIG. 12

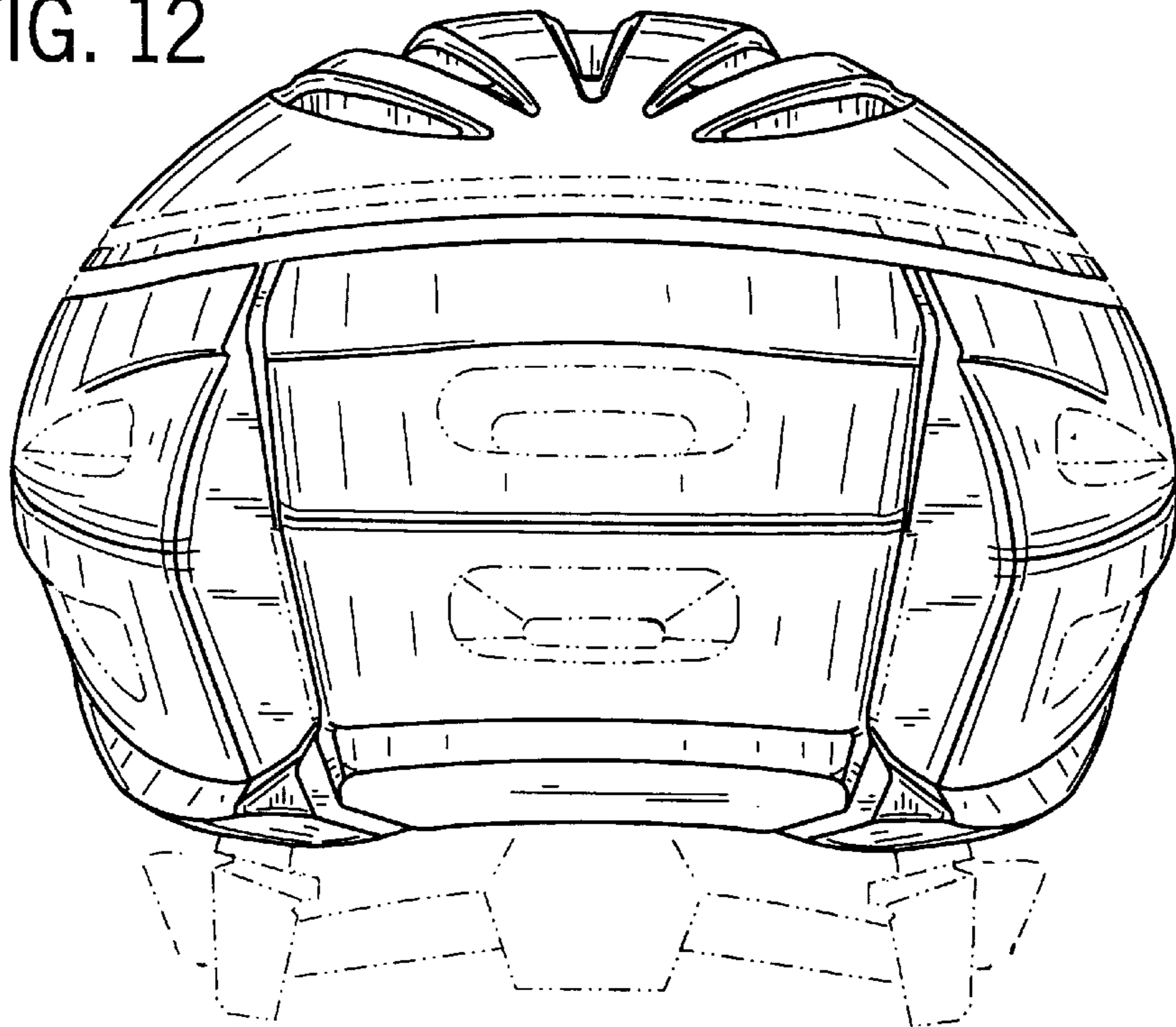


FIG. 13

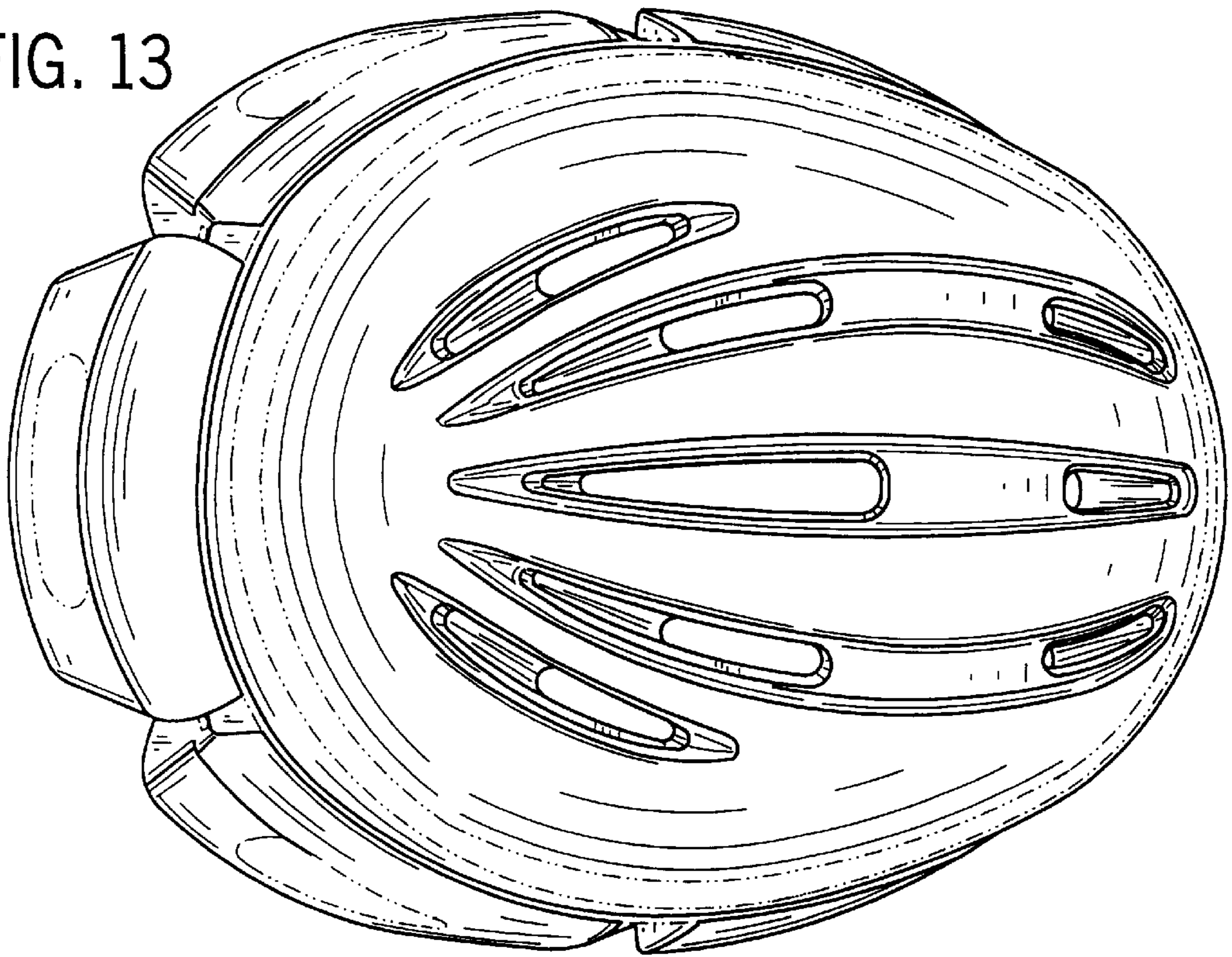


FIG. 14

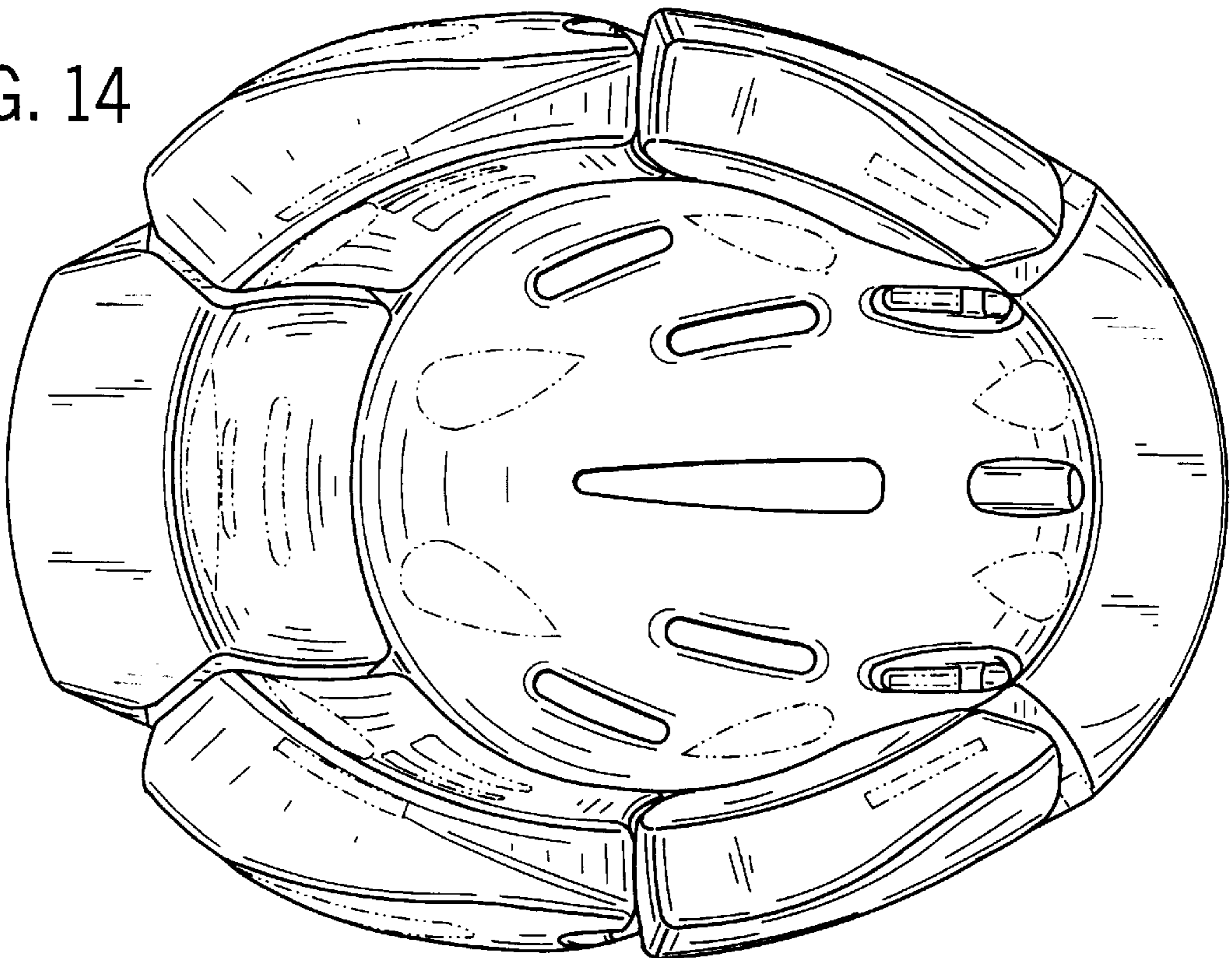


FIG. 15

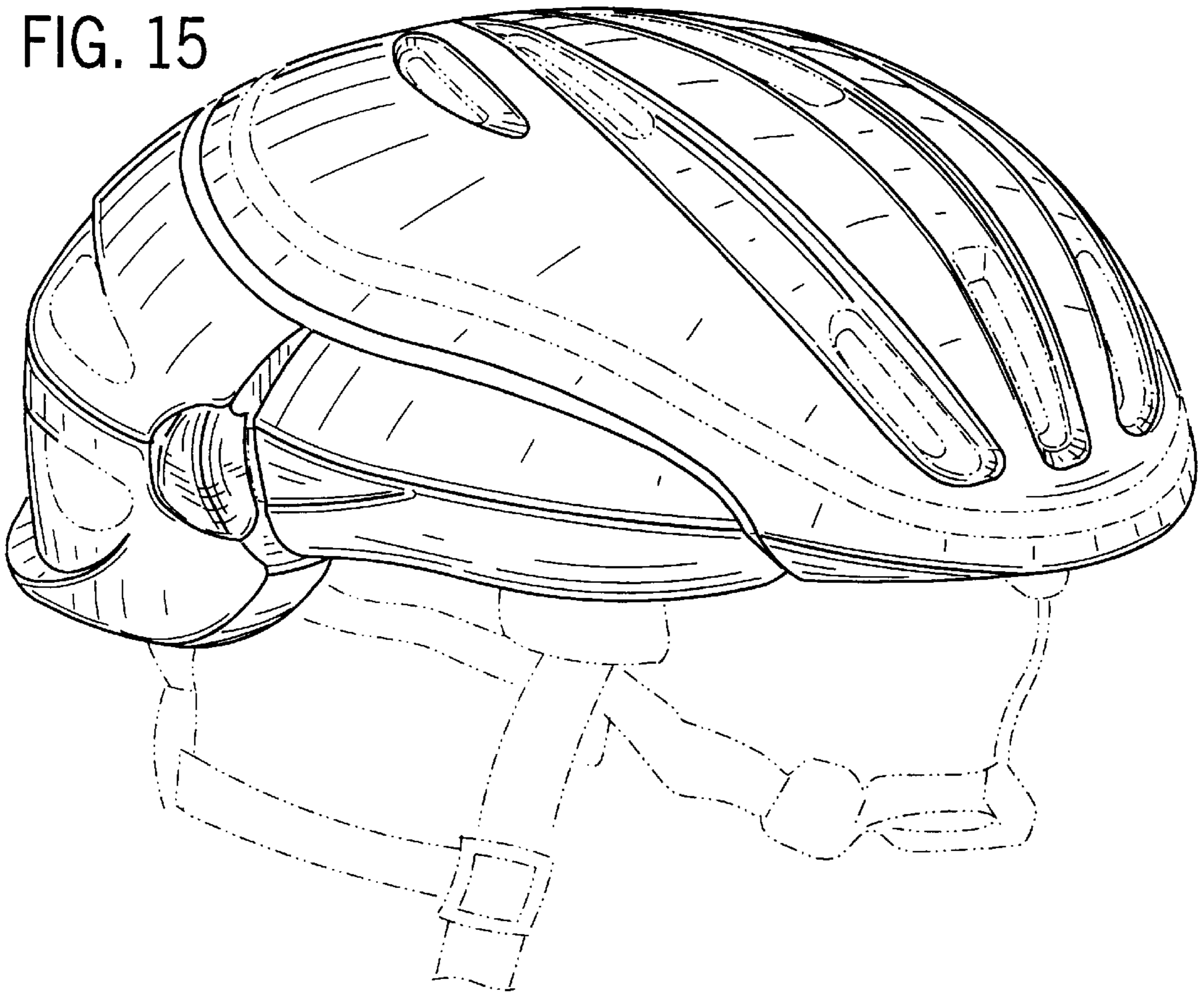


FIG. 16

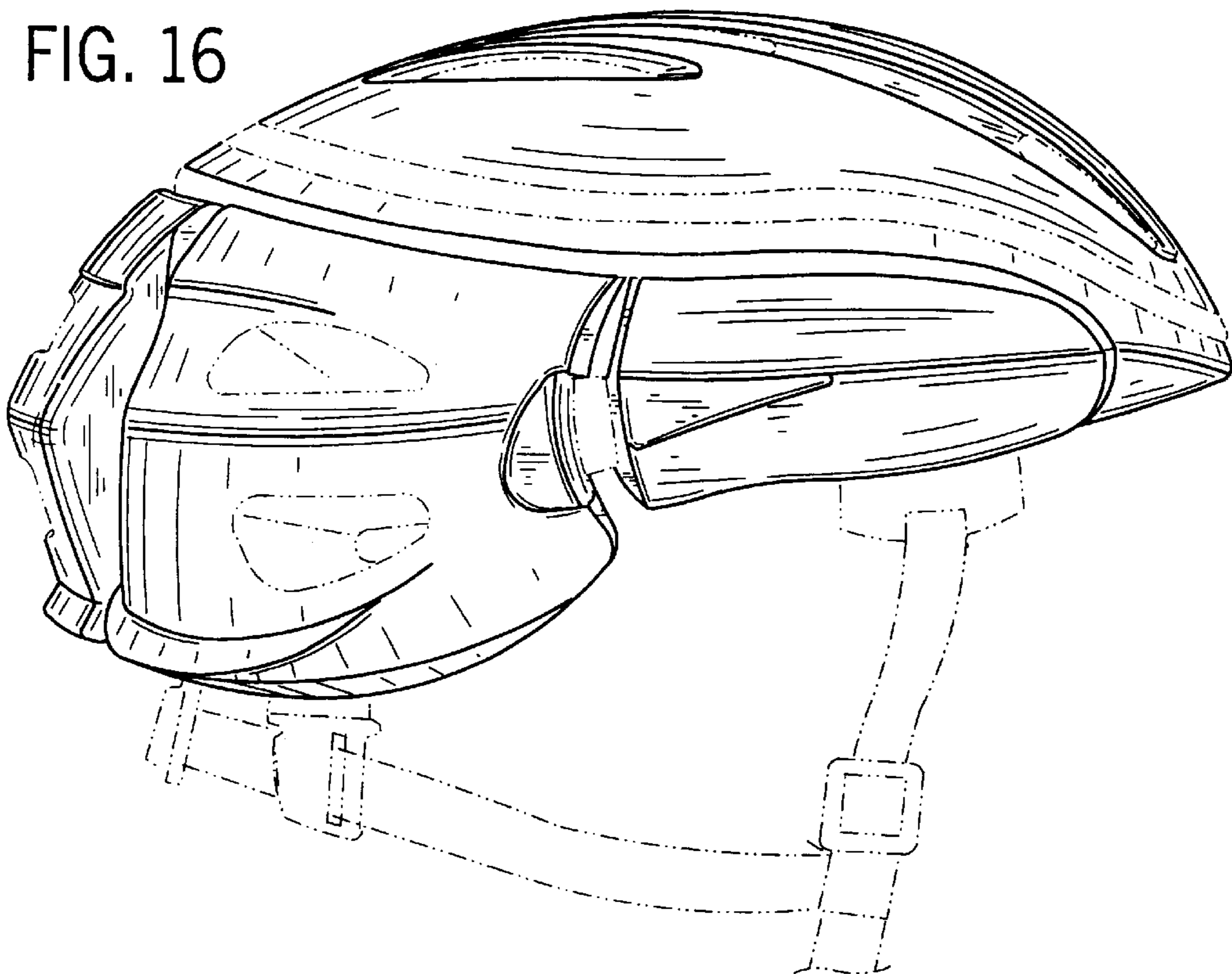


FIG. 17

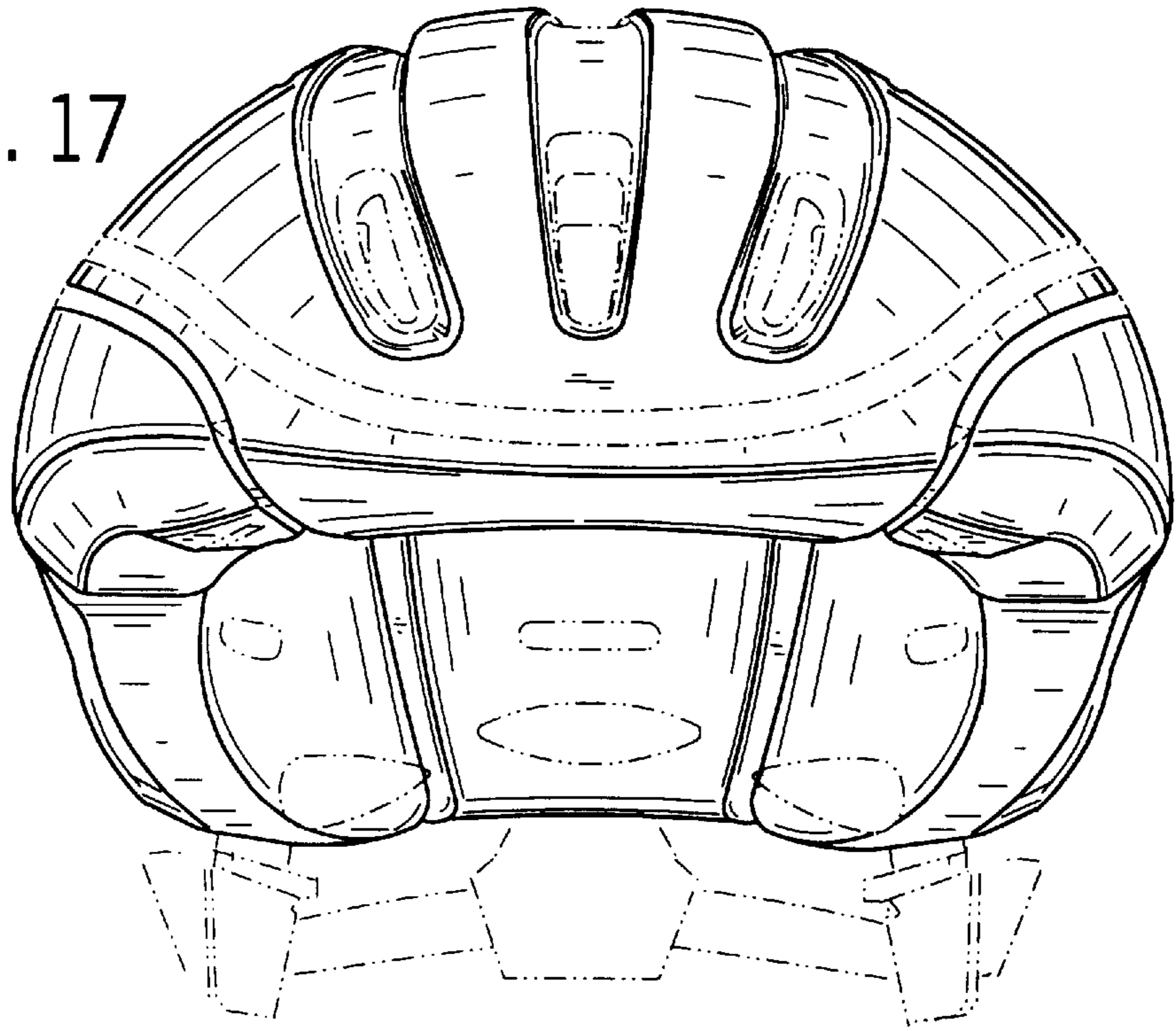


FIG. 18

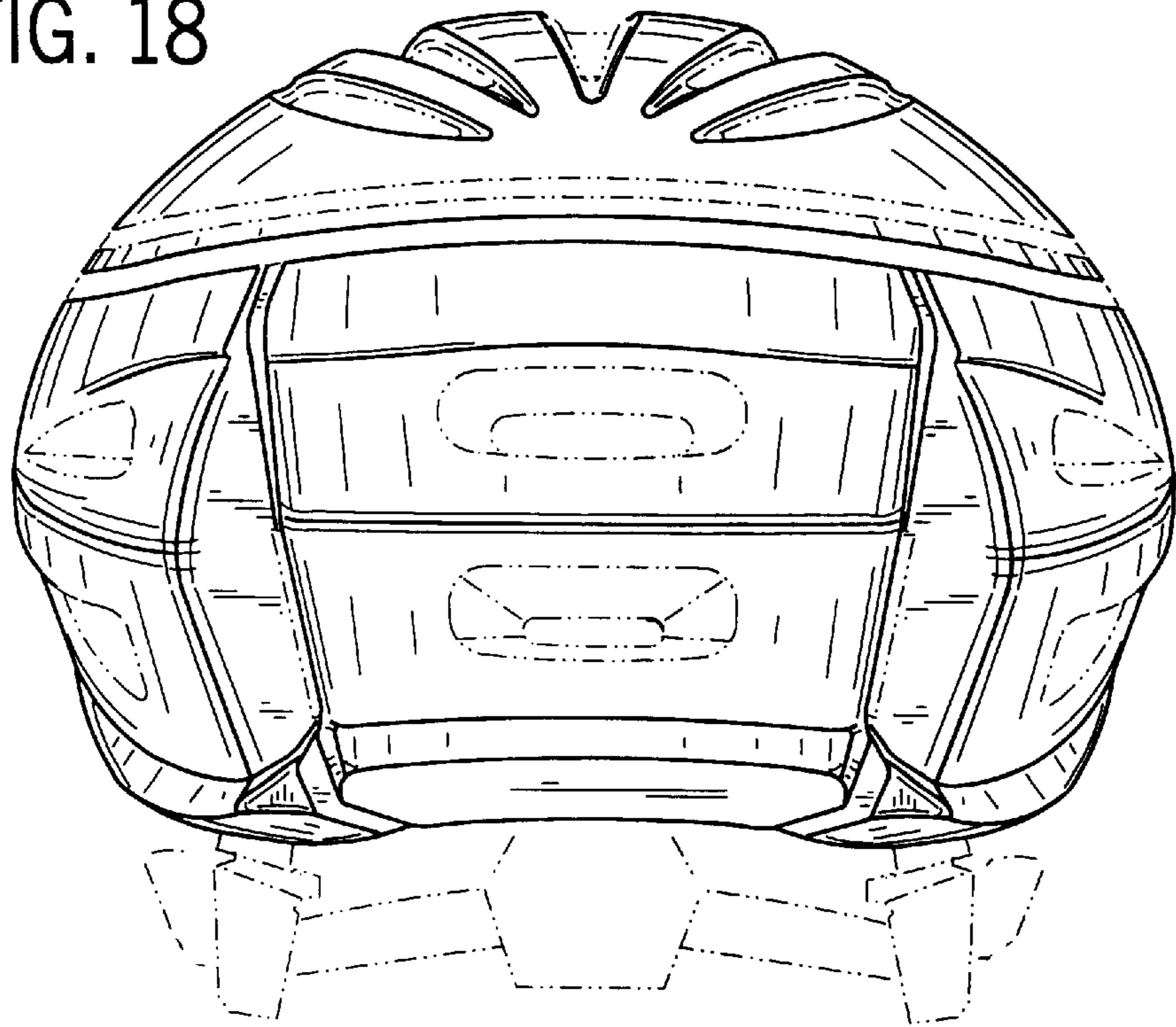


FIG. 19

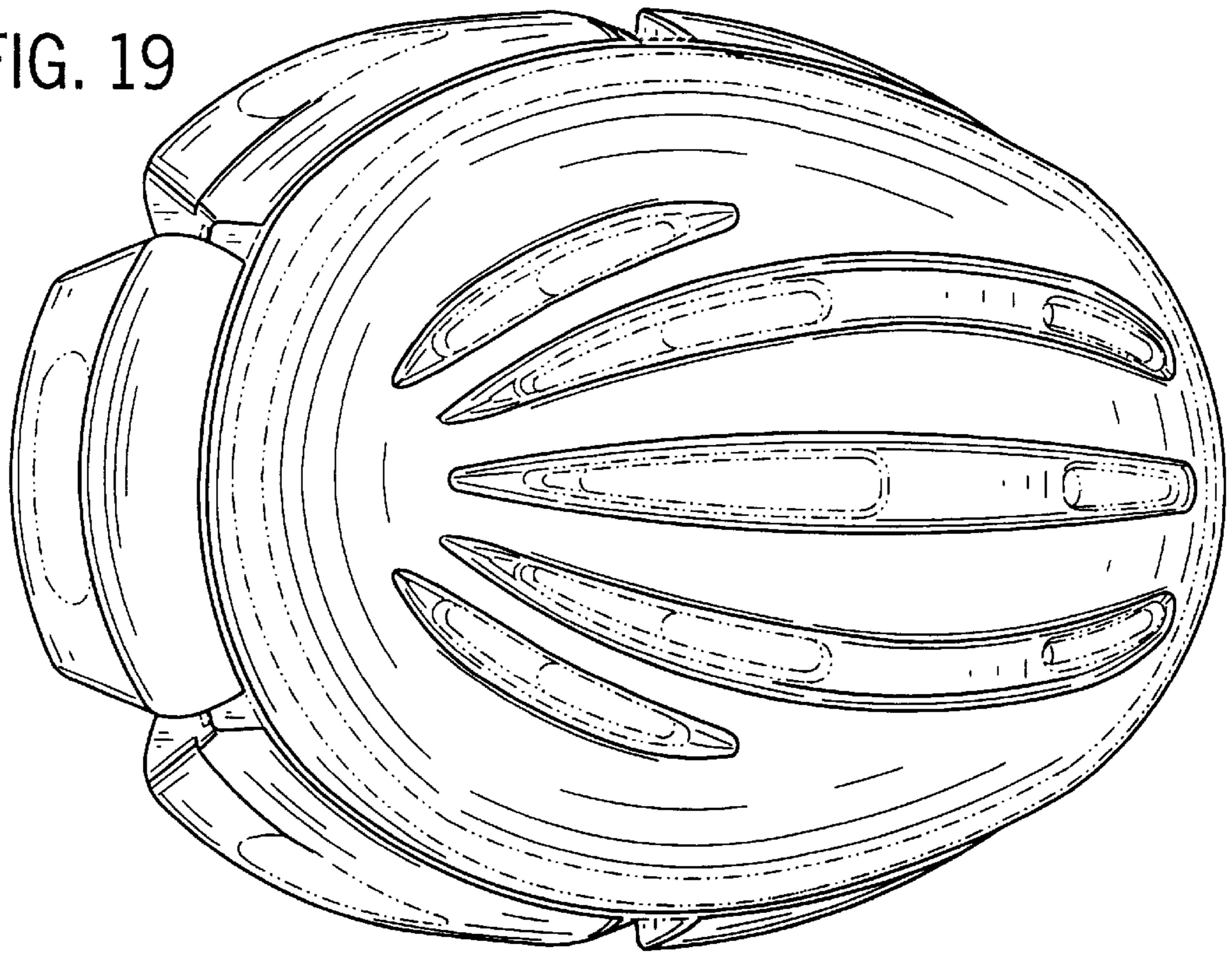


FIG. 20

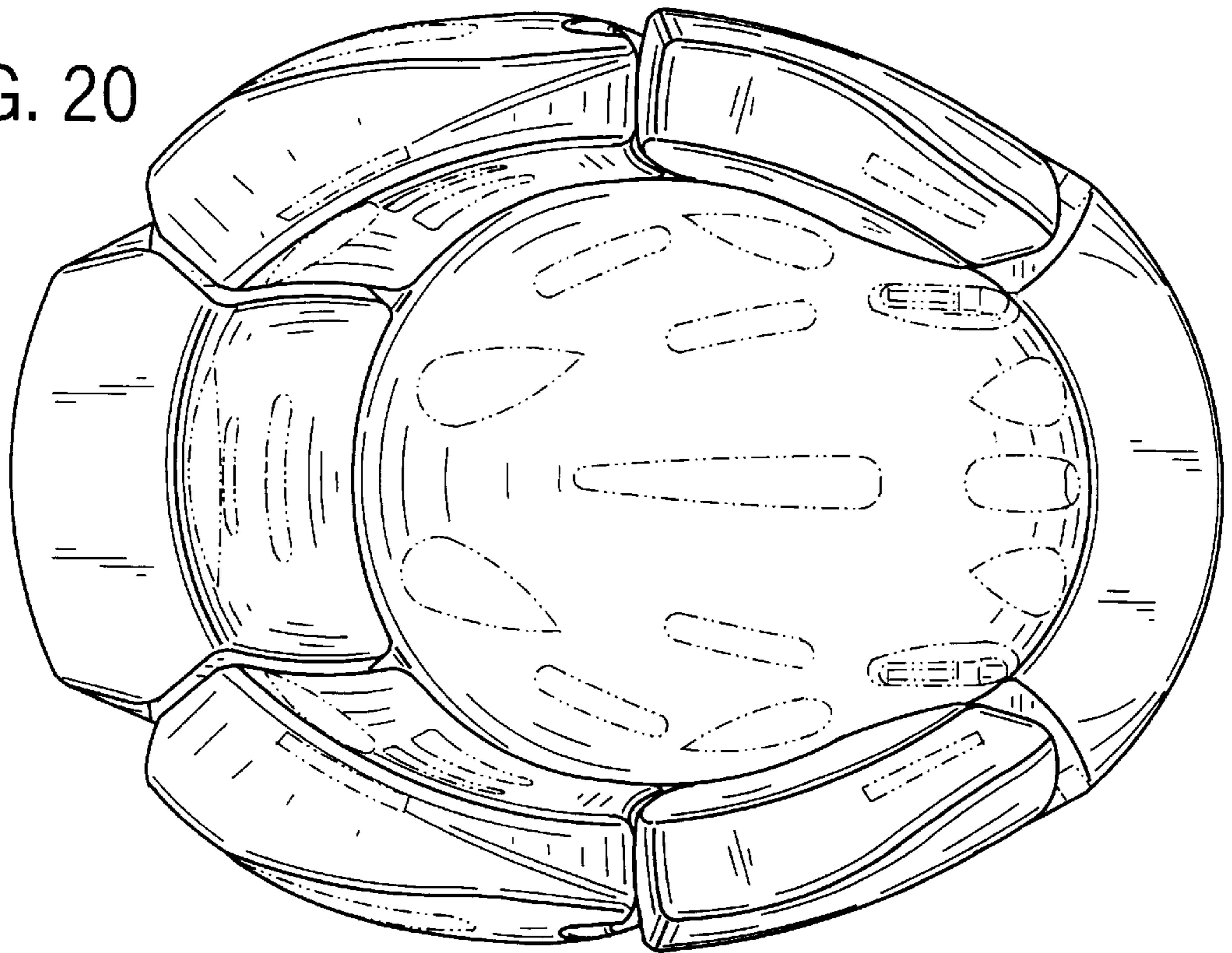


FIG. 21

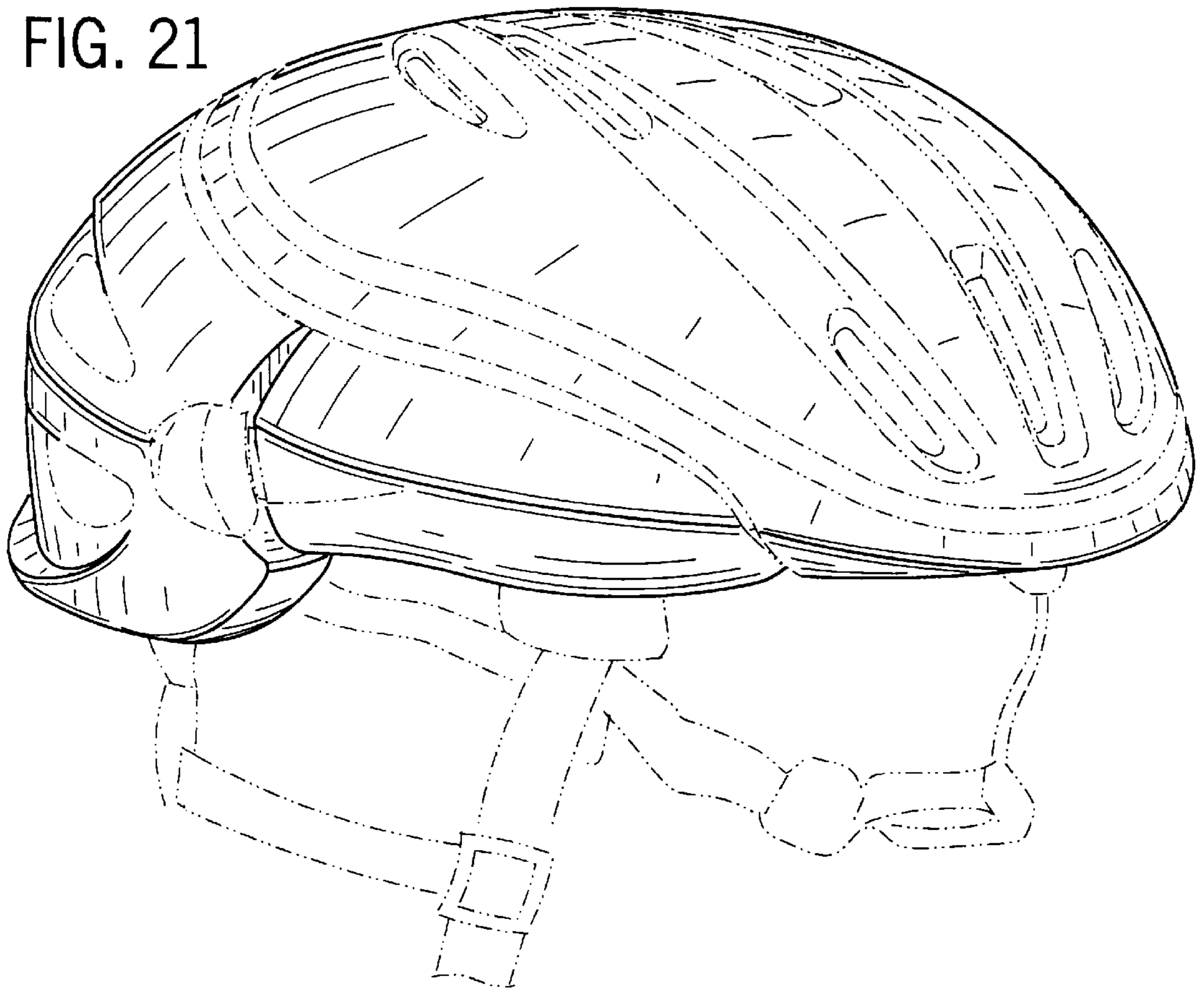


FIG. 22

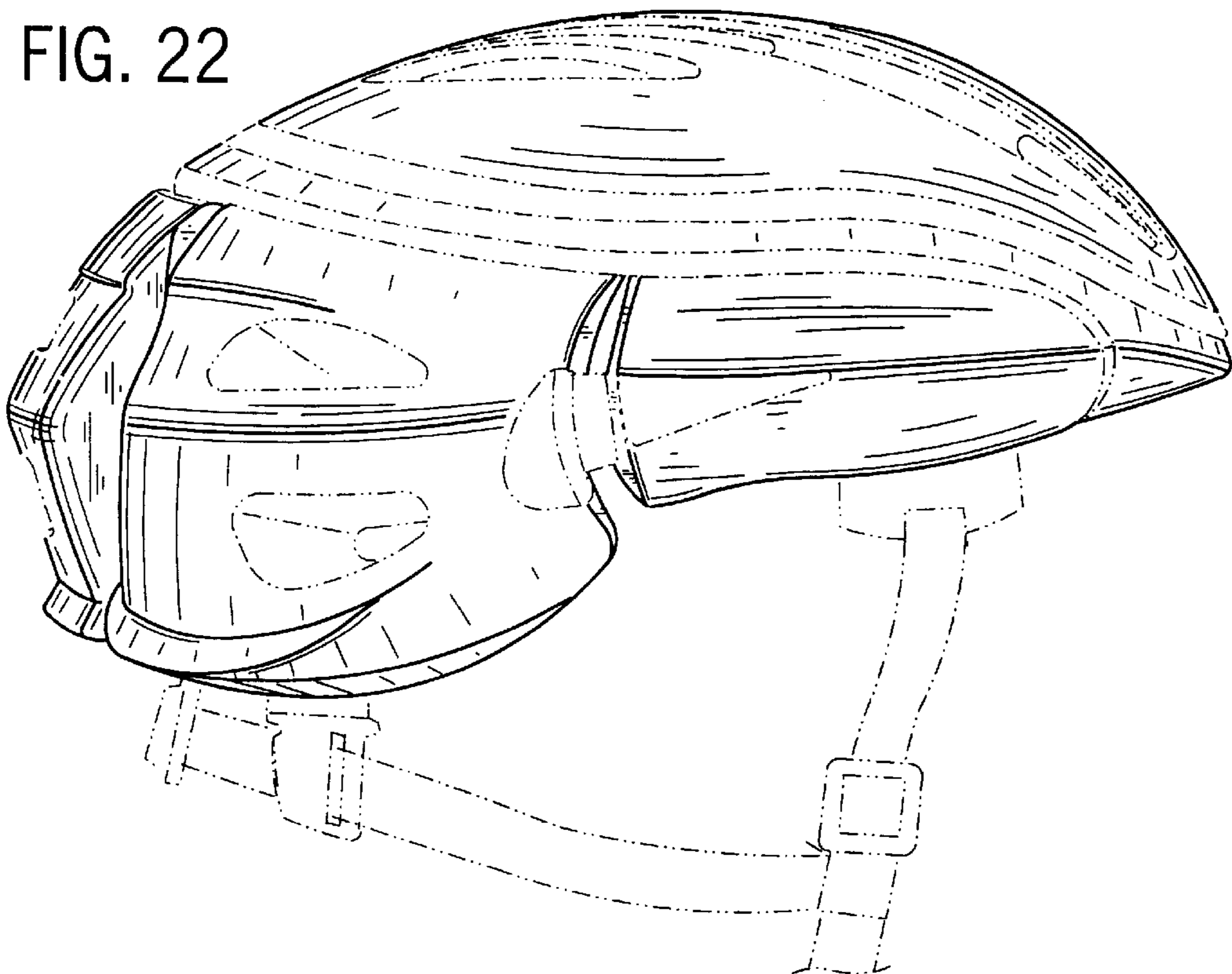


FIG. 23

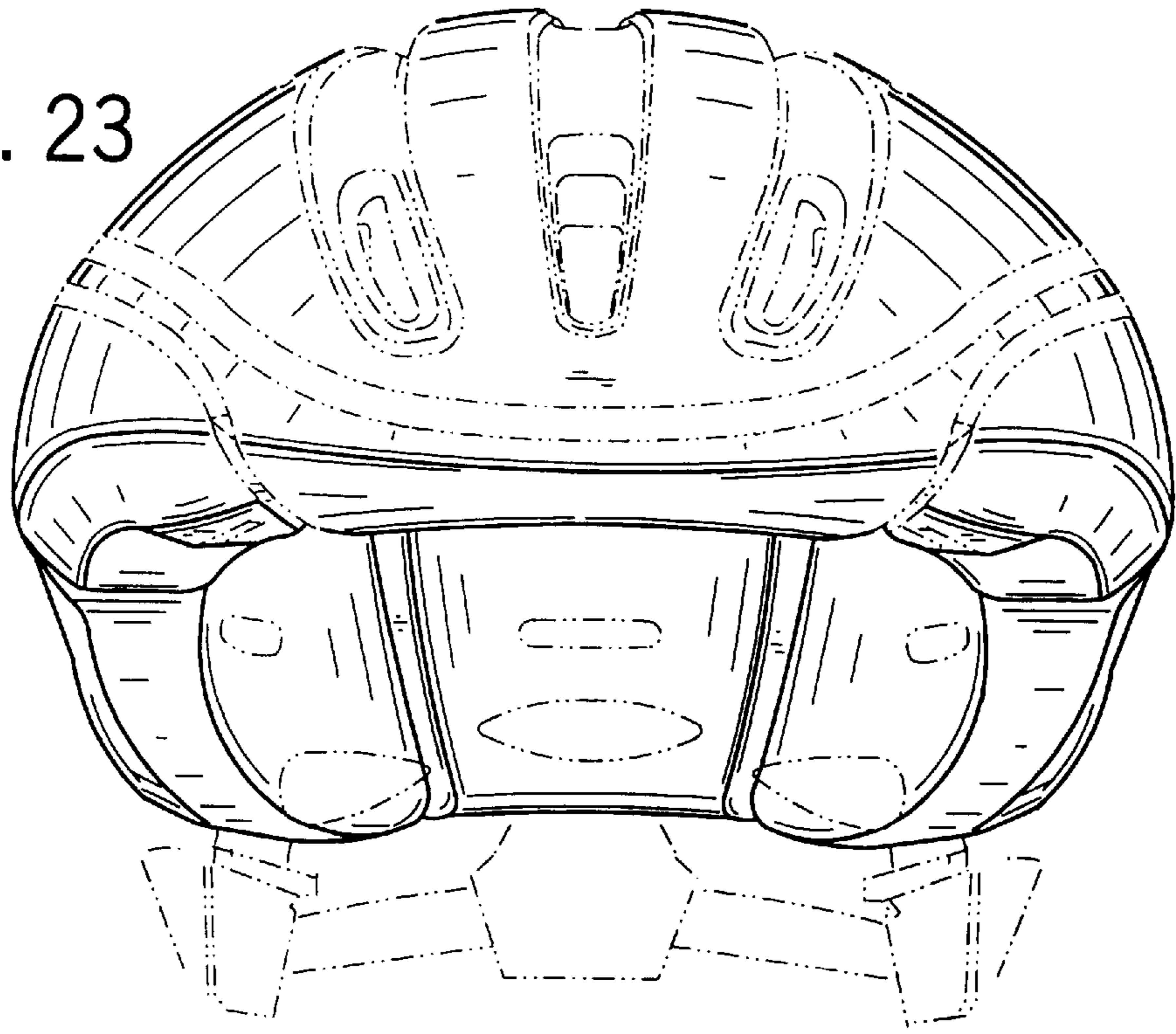


FIG. 24

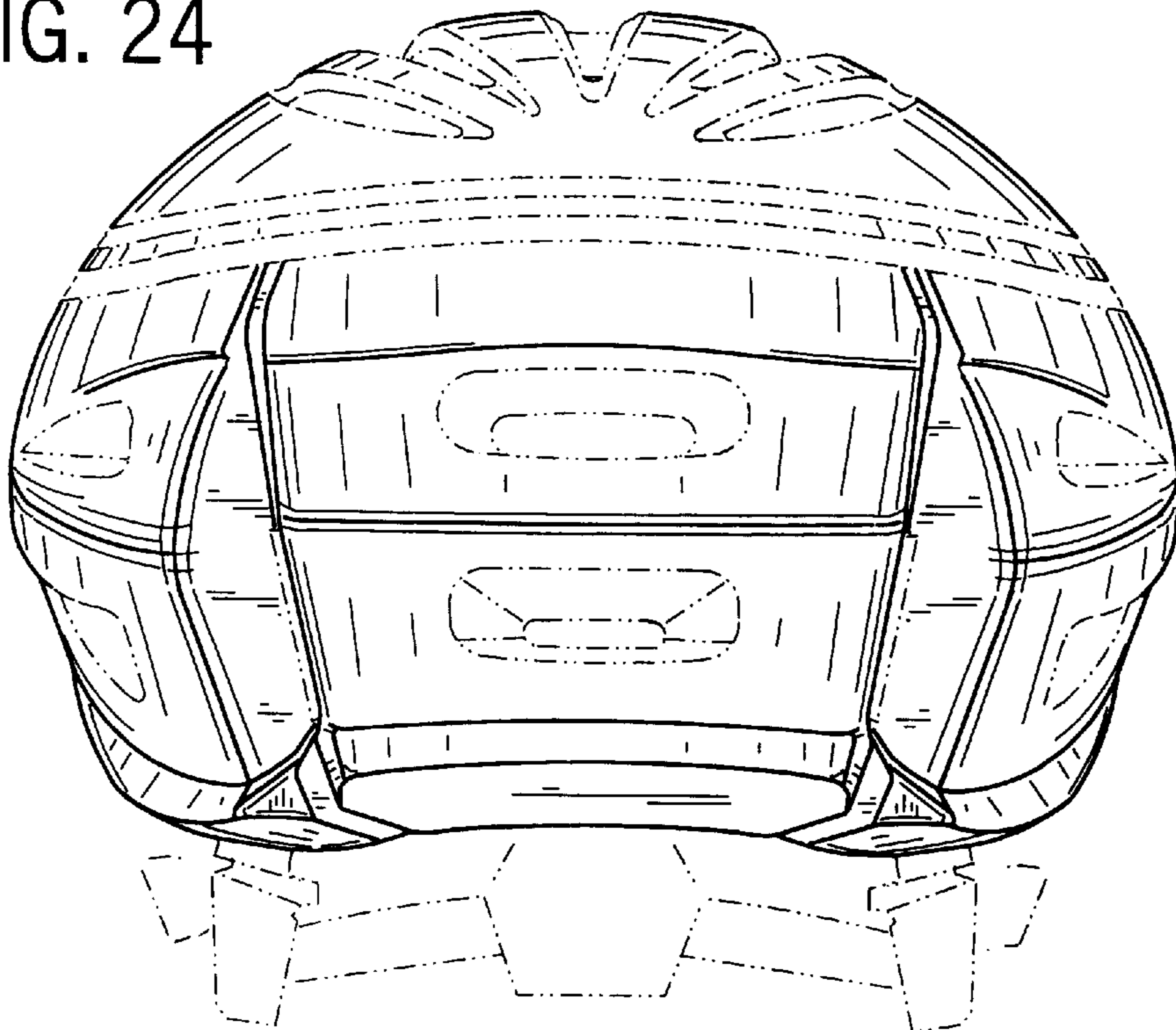


FIG. 25

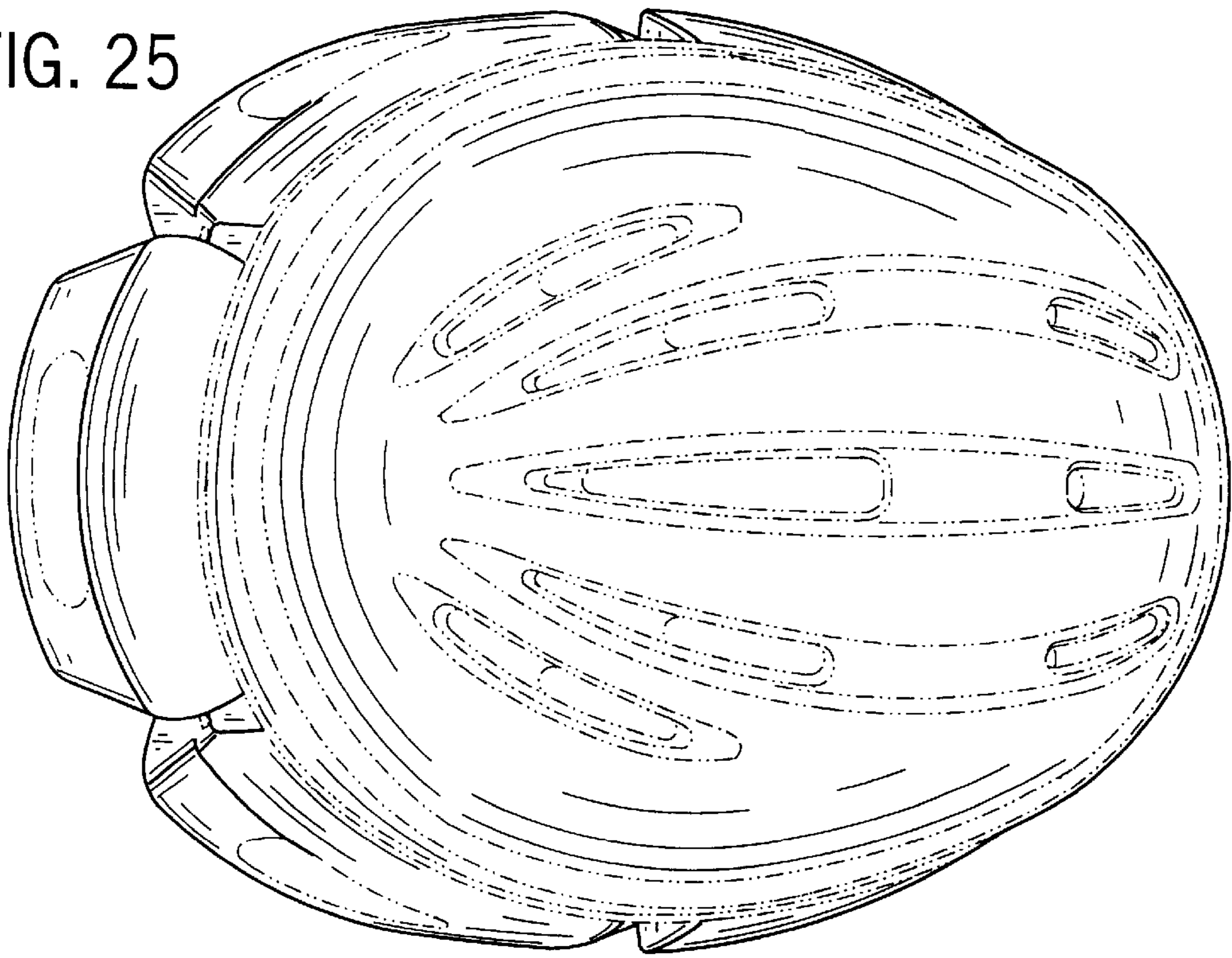


FIG. 26

