



US00D445216S

(12) **United States Design Patent**
Spagnolo

(10) **Patent No.:** **US D445,216 S**

(45) **Date of Patent:** **** Jul. 17, 2001**

(54) **HAIR DRYER**

(75) Inventor: **Pino Spagnolo, Turin (IT)**

(73) Assignee: **Conair Corporation, Stamford, CT (US)**

(**) Term: **14 Years**

(21) Appl. No.: **29/127,266**

(22) Filed: **Aug. 2, 2000**

(51) **LOC (7) Cl.** **28-03**

(52) **U.S. Cl.** **D28/13**

(58) **Field of Search** D28/12, 13, 14,
D28/15; 34/96, 97, 98; 392/384, 385; 219/486;
132/271

(56) **References Cited**

U.S. PATENT DOCUMENTS

D. 268,369	*	3/1983	McBrien	D28/13
D. 283,259	*	4/1986	Stansbury, Jr.	D28/13
D. 345,042	*	3/1994	Montagnino et al.	D28/13
D. 345,625	*	3/1994	Feil	D28/13
D. 350,217	*	8/1994	Rizzuto, Jr.	D28/13
D. 359,579	*	6/1995	Mattis	D28/13
D. 380,818	*	7/1997	Yue	D23/335
D. 407,847	*	4/1999	Guoefin	D28/13
D. 412,219	*	7/1999	Goetschi	D28/13
D. 432,715	*	10/2000	Harris et al.	D28/13
D. 432,716	*	10/2000	Goetschi	D28/13
2,021,853		11/1935	Curley	.	
2,157,047		5/1939	Zwickl	.	

3,635,001		1/1972	Komroff et al.	.	
3,849,902		11/1974	Clark, Jr. et al.	.	
3,999,304		12/1976	Doty	.	
4,254,324		3/1981	Vrtaric	.	
4,704,143		11/1987	Percy	.	
4,713,099		12/1987	Schroeder	.	
4,918,289	*	4/1990	Ohlson et al.	392/379
4,977,690		12/1990	Davis, Jr.	.	
5,216,822		6/1993	Madiedo	.	
5,433,017		7/1995	Brauchli et al.	.	
5,490,336		2/1996	Smick et al.	.	
5,632,678		5/1997	Doelfel	.	
5,701,681		12/1997	Wonka et al.	.	
5,810,911		9/1998	Behrendt et al.	.	

* cited by examiner

Primary Examiner—Paula A. Mortimer
(74) *Attorney, Agent, or Firm*—Ohlandt, Greeley, Ruggiero & Perle, L.L.P.

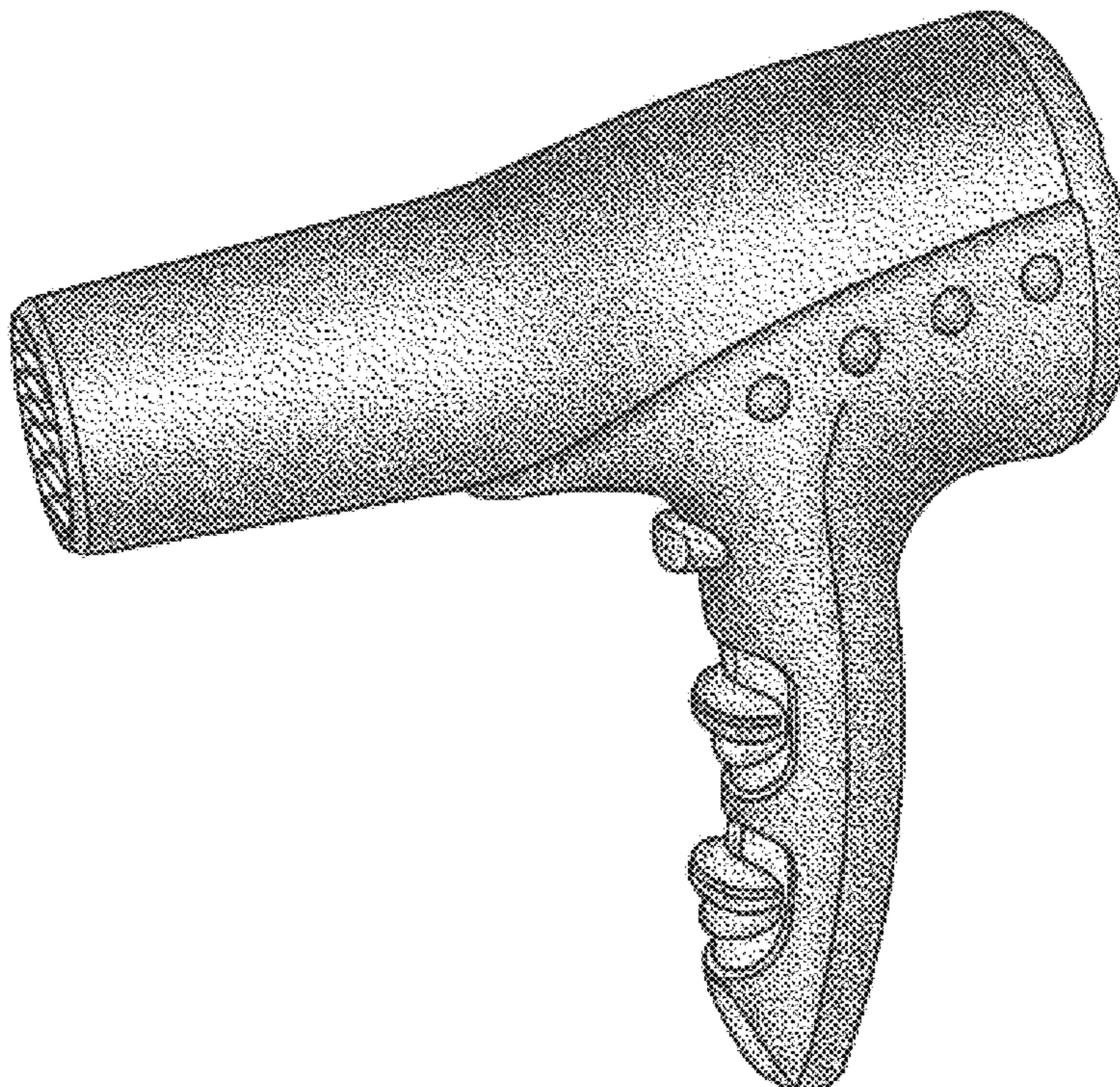
(57) **CLAIM**

The ornamental design for a hair dryer, as shown and described.

DESCRIPTION

FIG. 1 is a perspective view of the hair dryer;
FIG. 2 is a side view of the hair dryer of FIG. 1;
FIG. 3 is a front plan view of the hair dryer of FIG. 1;
FIG. 4 is a rear plan view of the hair dryer of FIG. 1;
FIG. 5 is a top view of the hair dryer of FIG. 1; and,
FIG. 6 is a bottom view of the hair dryer of FIG. 1.

1 Claim, 3 Drawing Sheets



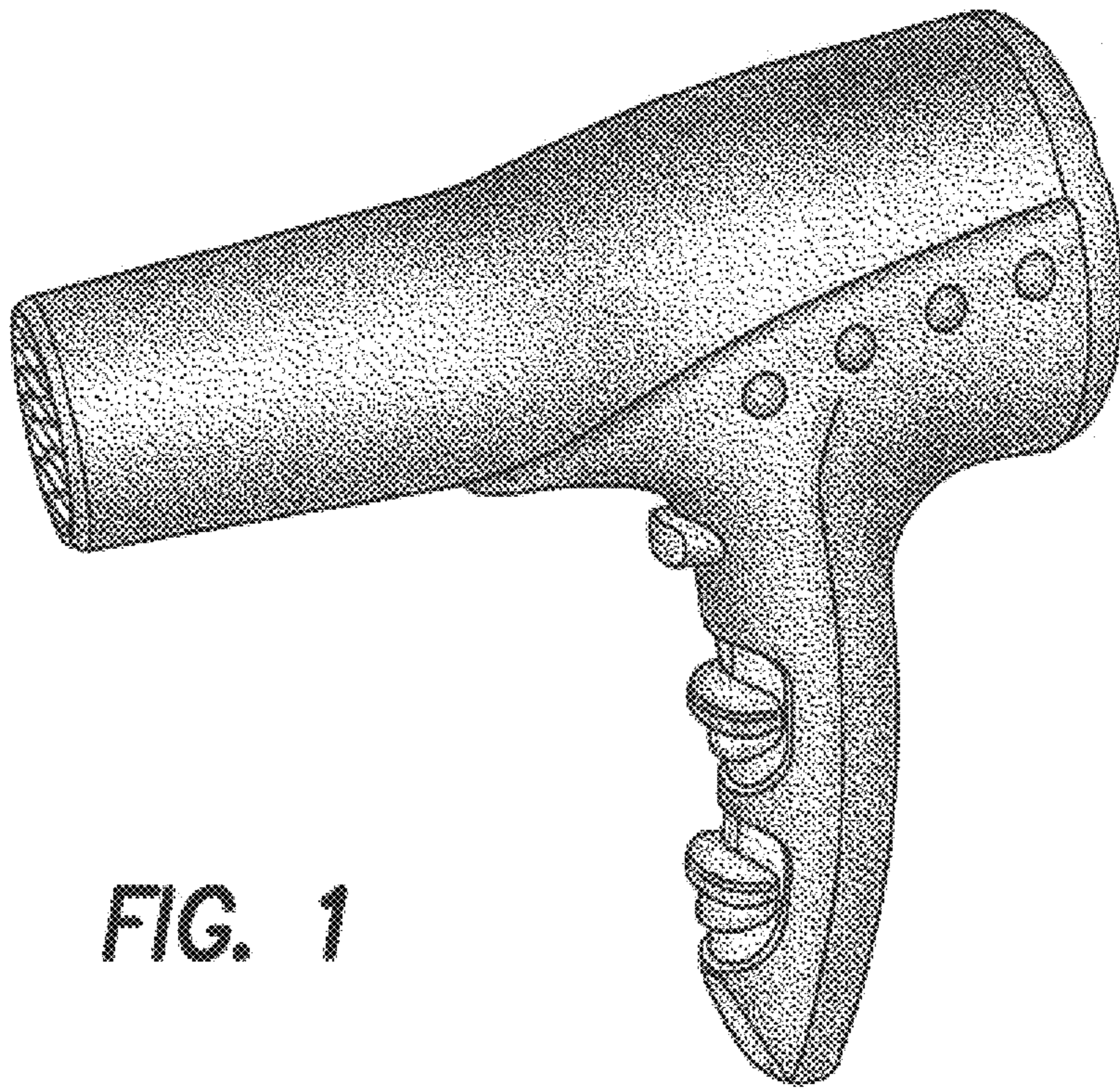


FIG. 1

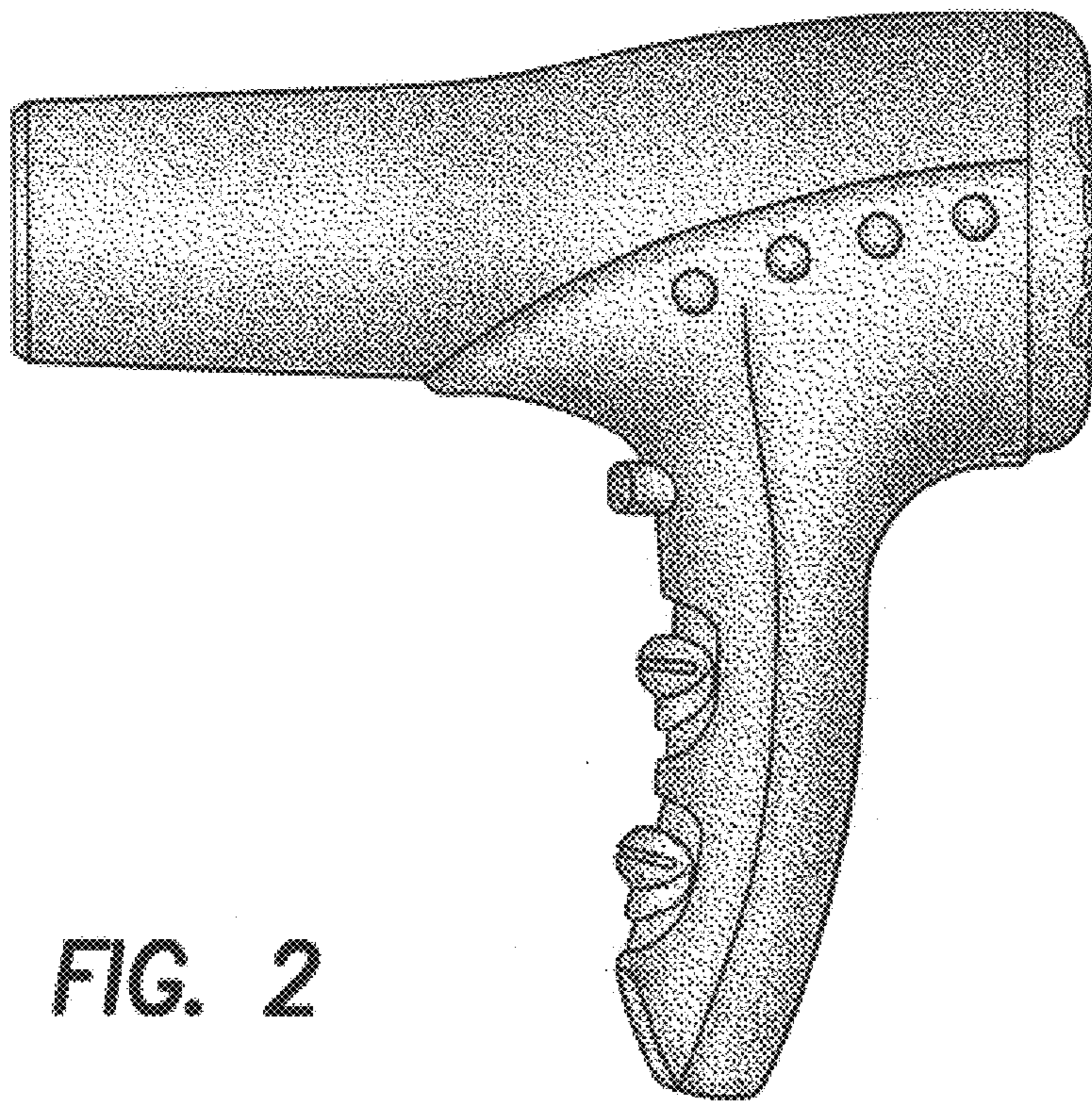


FIG. 2

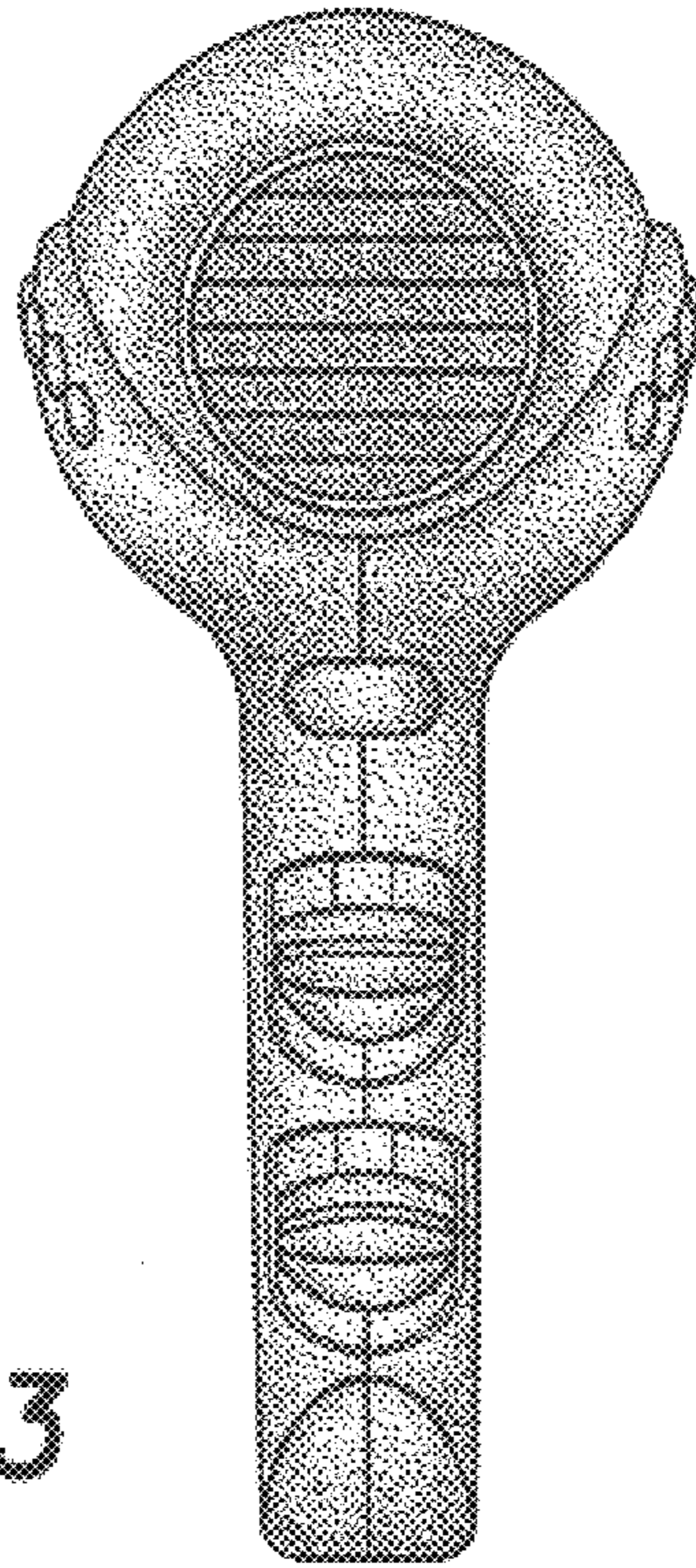


FIG. 3

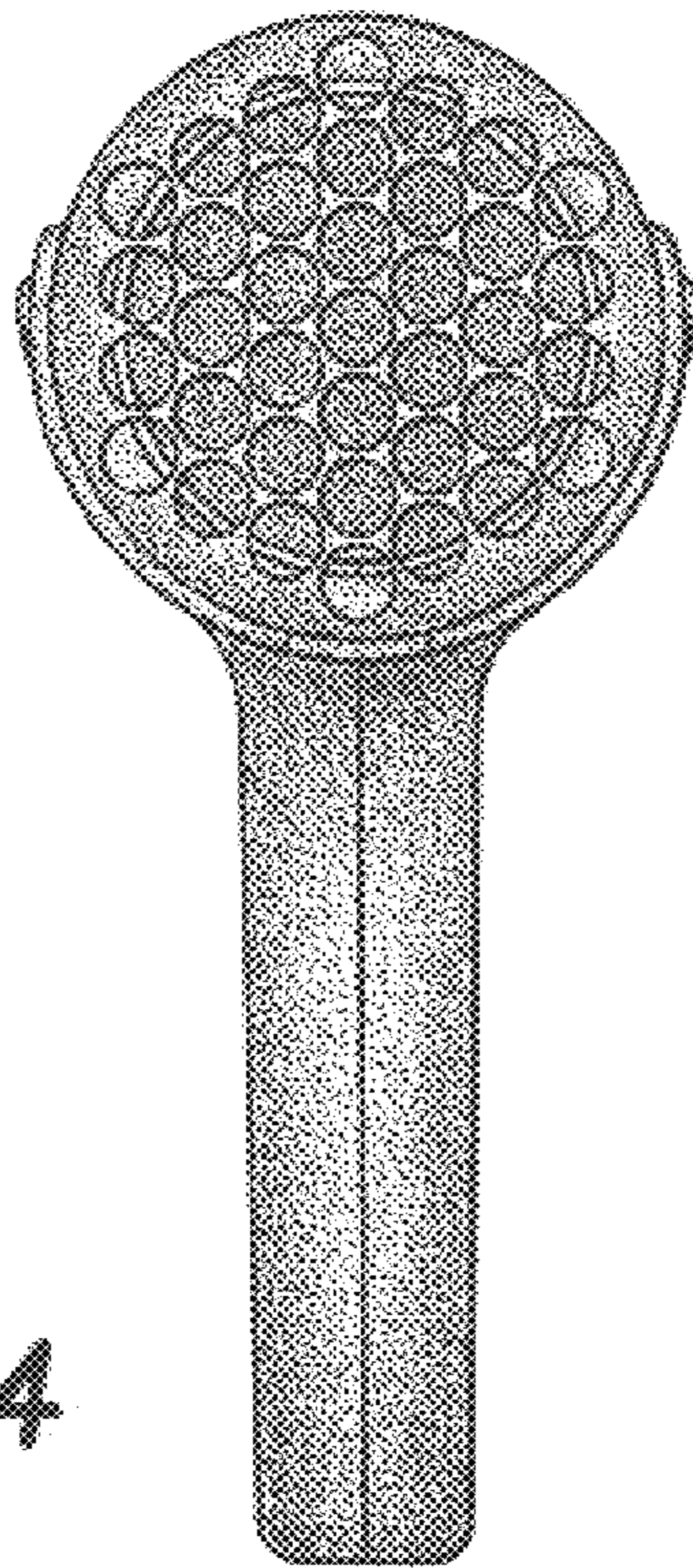


FIG. 4

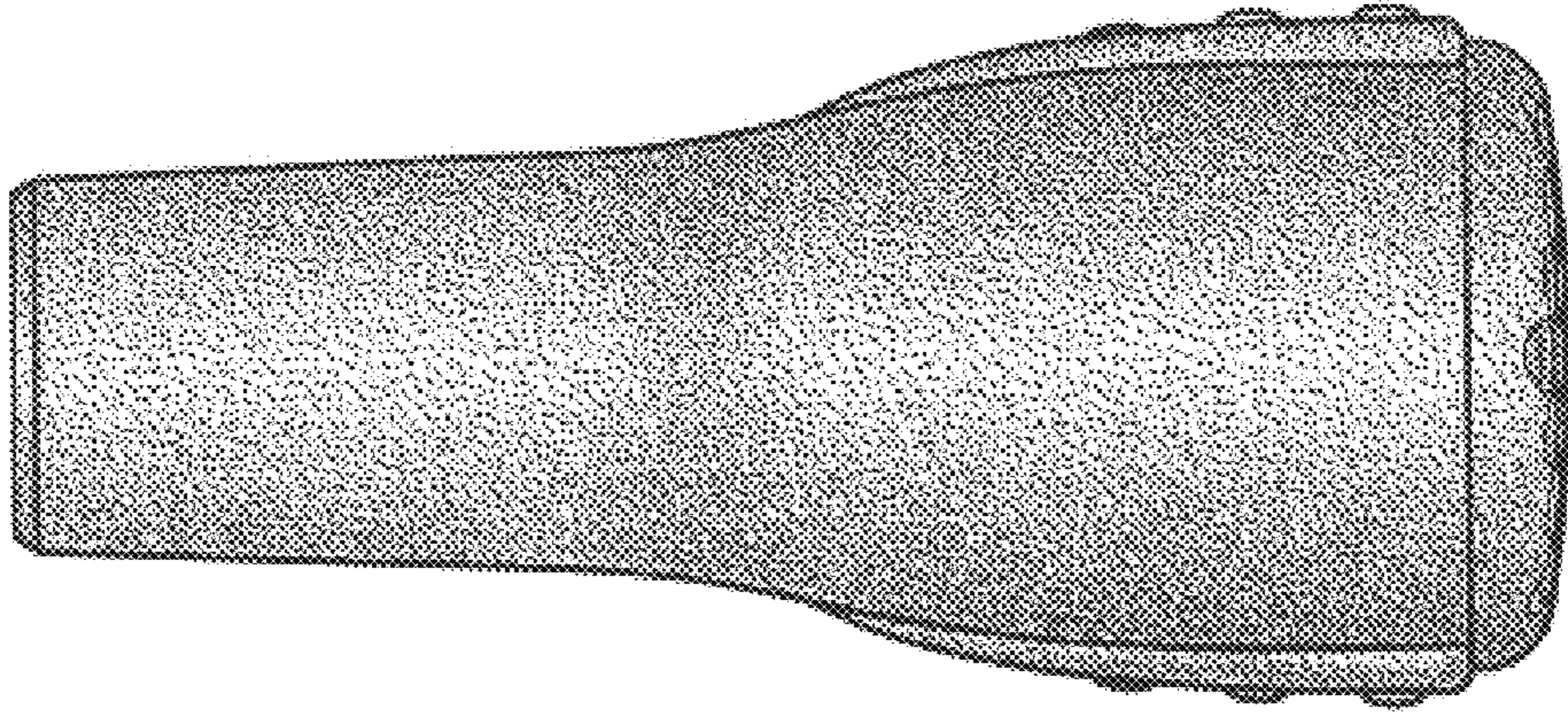


FIG. 5

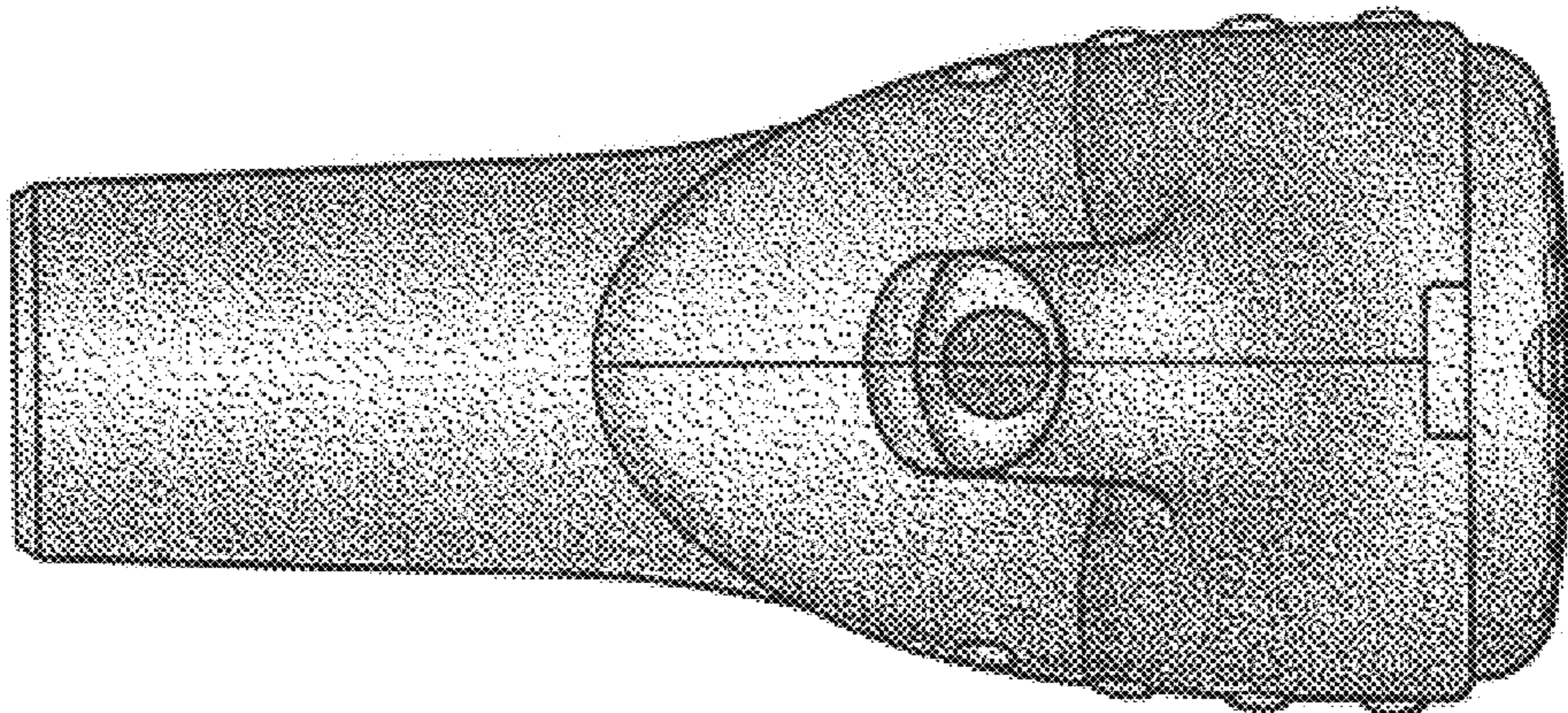


FIG. 6