



US00D445209S

(12) **United States Design Patent**
Chen

(10) **Patent No.:** **US D445,209 S**

(45) **Date of Patent:** **** Jul. 17, 2001**

(54) **GARDEN LAMP WITH ROUND LANTERN**

(75) Inventor: **Chi-Gon Chen**, Guang Zhou (CN)

(73) Assignee: **International Development Corporation**, Southlake, TX (US)

(**) Term: **14 Years**

(21) Appl. No.: **29/131,957**

(22) Filed: **Oct. 30, 2000**

(51) **LOC (7) Cl.** **26-05**

(52) **U.S. Cl.** **D26/72**

(58) **Field of Search** D26/72-92, 67,
D26/68; 362/147, 363, 368, 367, 404-408,
431

(56) **References Cited**

U.S. PATENT DOCUMENTS

D. 217,086 * 4/1970 Miller D26/72

OTHER PUBLICATIONS

ELA Lighting co. flyer, wall lamp A132.*

Progress Lighting catalog, 1980, p. 141, exterior lamp # P5881-14.*

* cited by examiner

Primary Examiner—Susan J. Lucas

(74) *Attorney, Agent, or Firm*—Jenkins & Gilchrist, A Professional Corporation

(57) **CLAIM**

The ornamental design for the garden lamp with round lantern, as shown and described.

DESCRIPTION

FIG. 1 is a perspective view from above of the garden lamp with round lantern in accordance with my design;

FIG. 2 is a front side elevational view of the garden lamp with round lantern in accordance with my design, the rear side being substantially identical thereto;

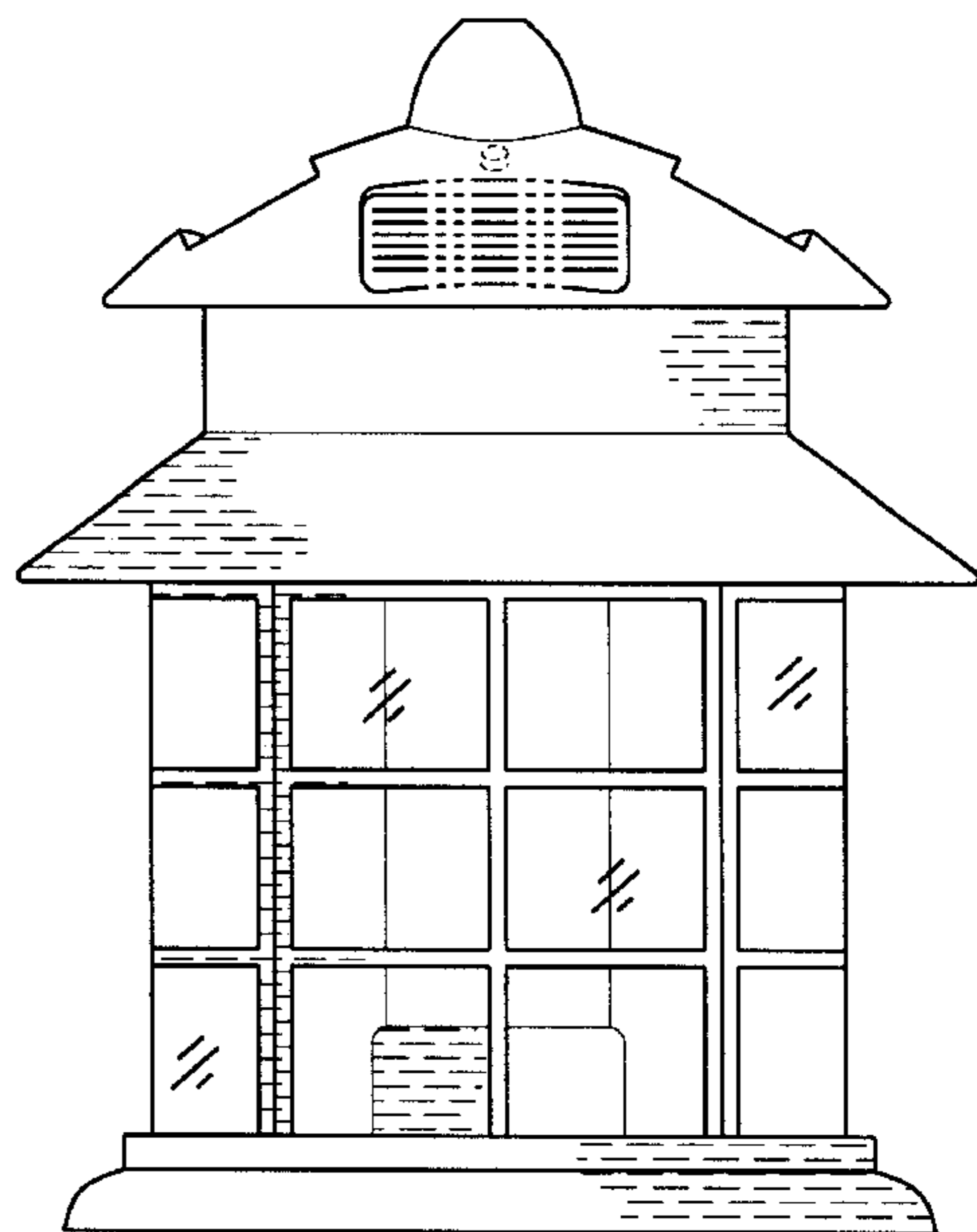
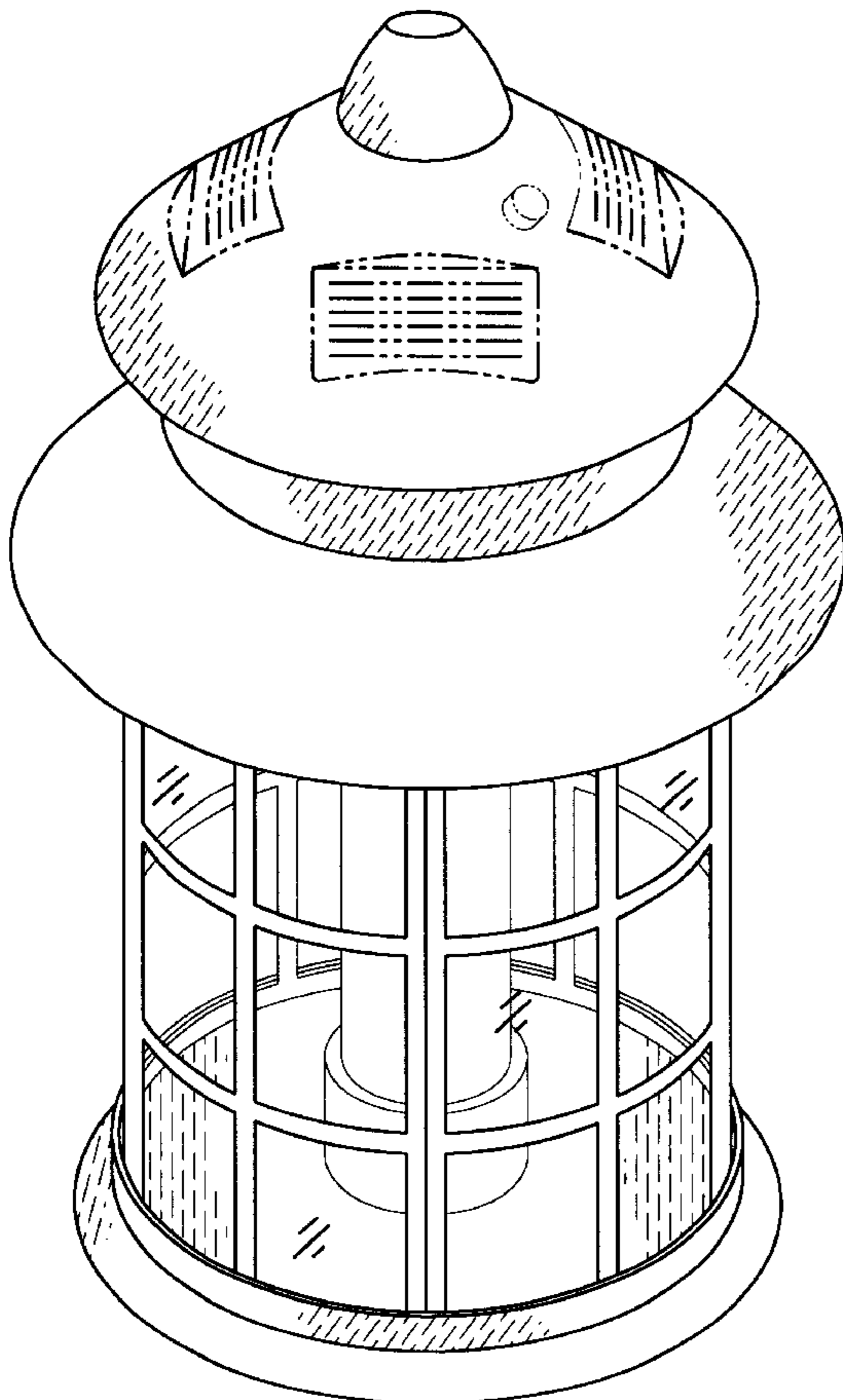
FIG. 3 is a left side elevational view of the garden lamp with round lantern in accordance with my design, the right side being substantially identical thereto;

FIG. 4 is a top plan view of the garden lamp with round lantern in accordance with my design; and,

FIG. 5 is a bottom plan view of the garden lamp with round lantern in accordance with my design.

The broken lines show solar batteries and a photoresistor and are not considered part of the design claimed.

1 Claim, 3 Drawing Sheets



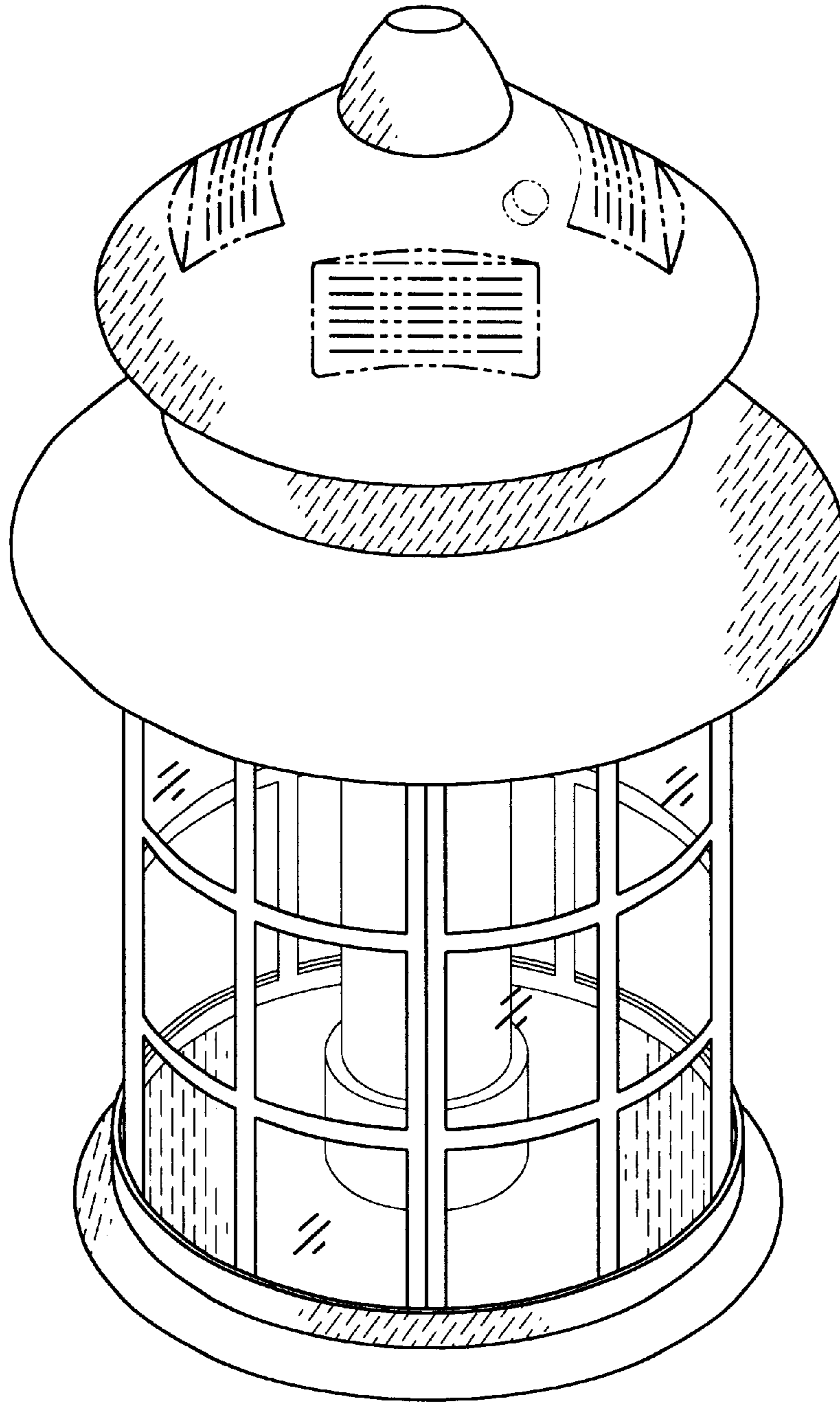


FIG. 1

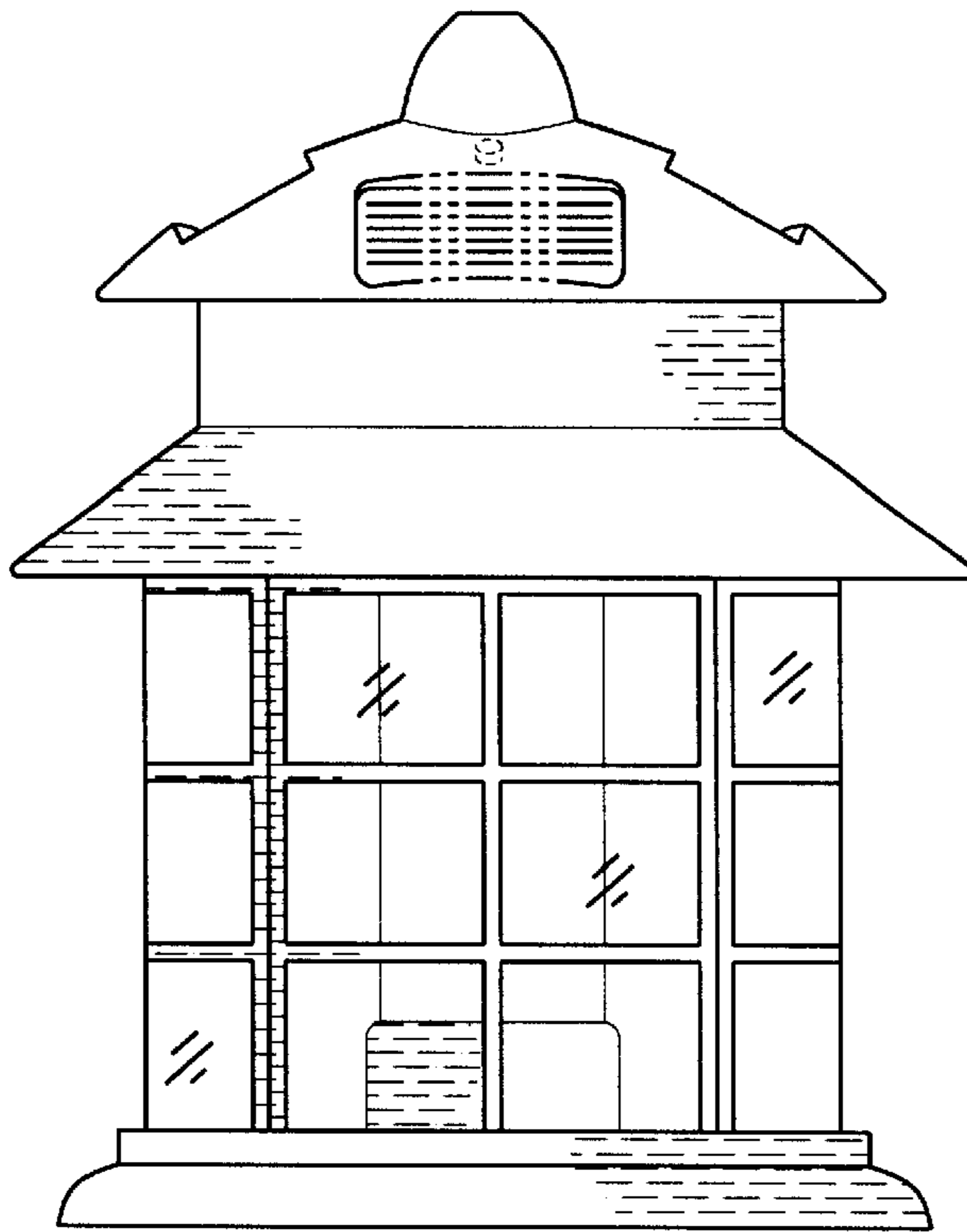


FIG. 2

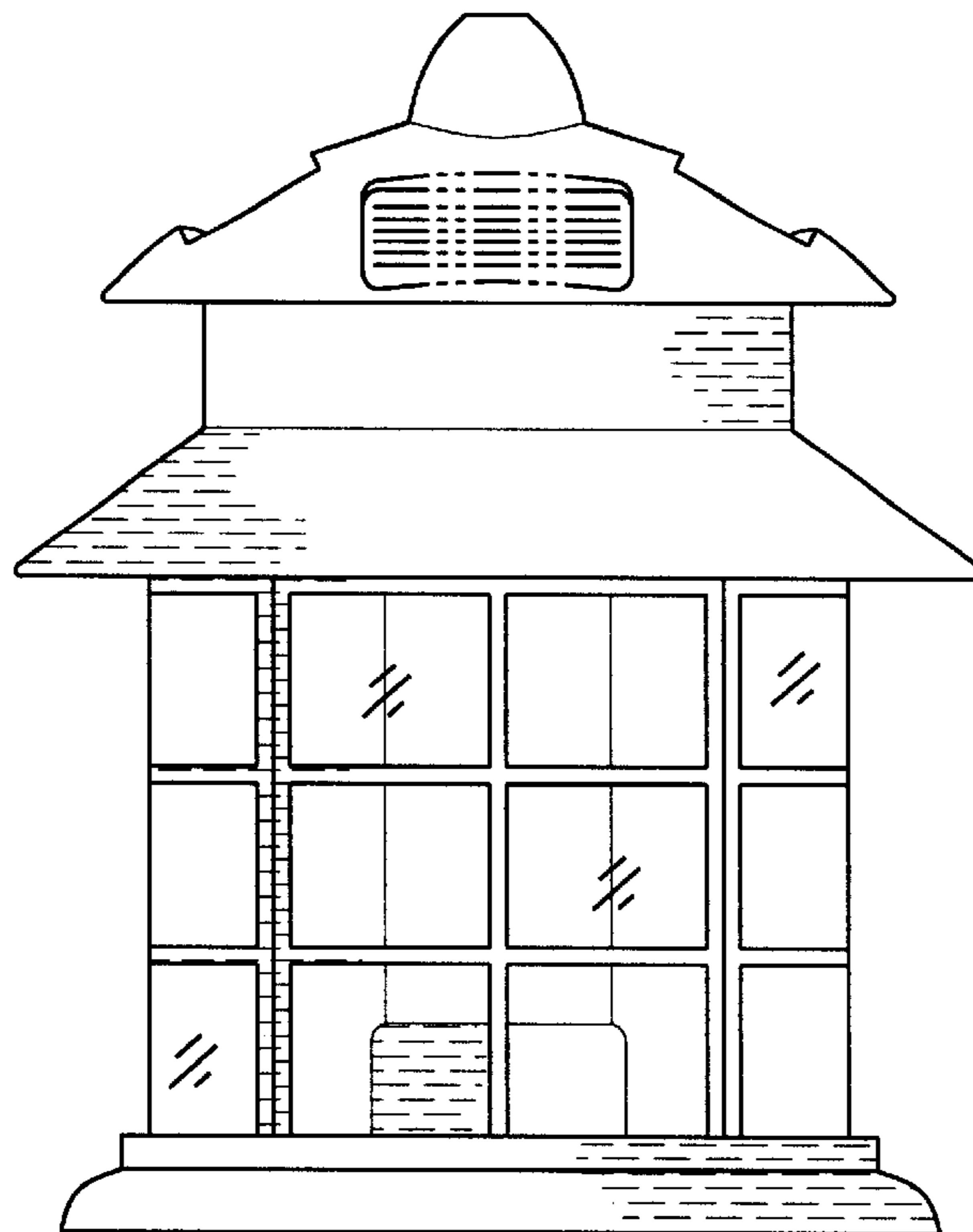


FIG. 3

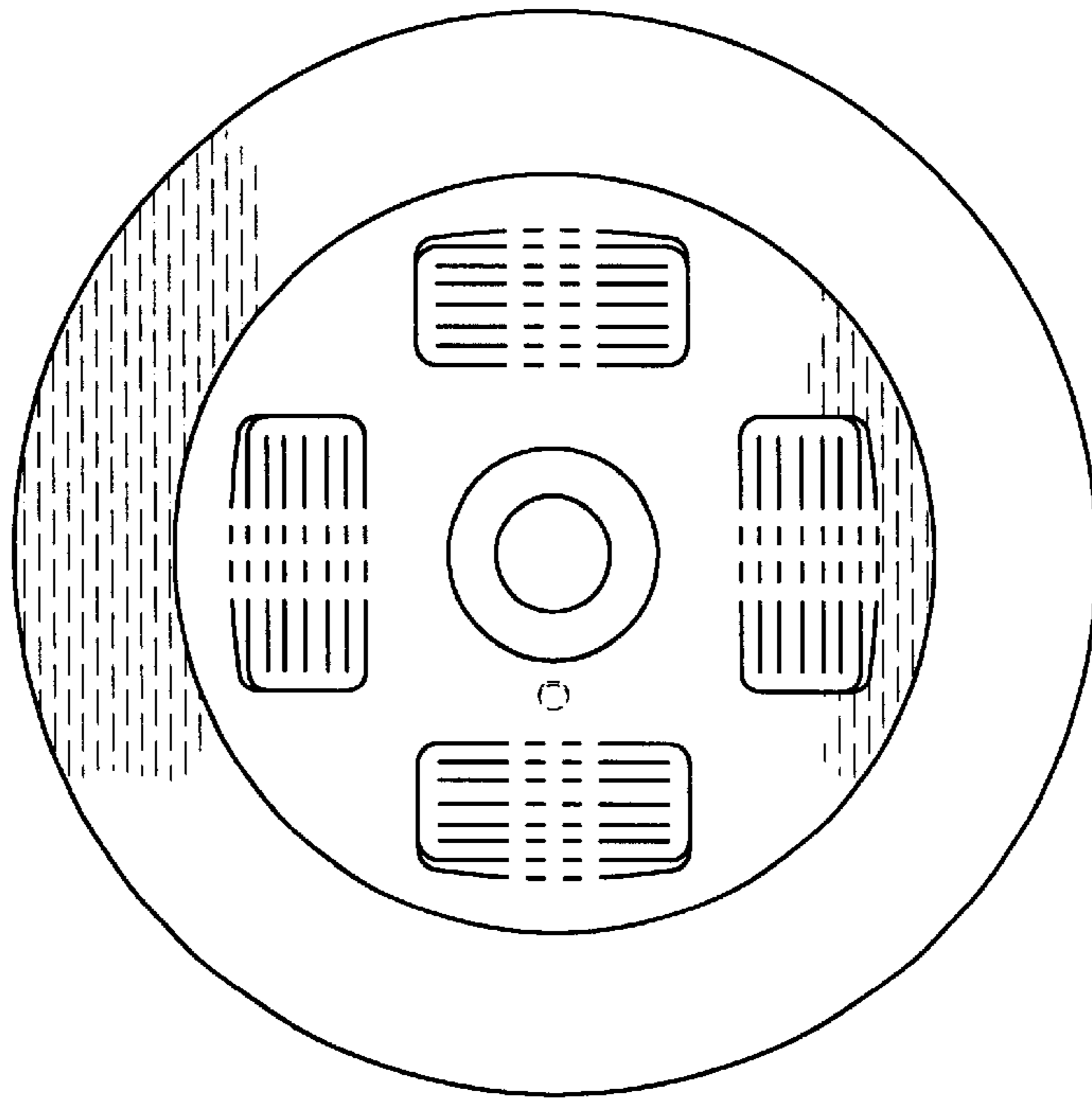


FIG. 4

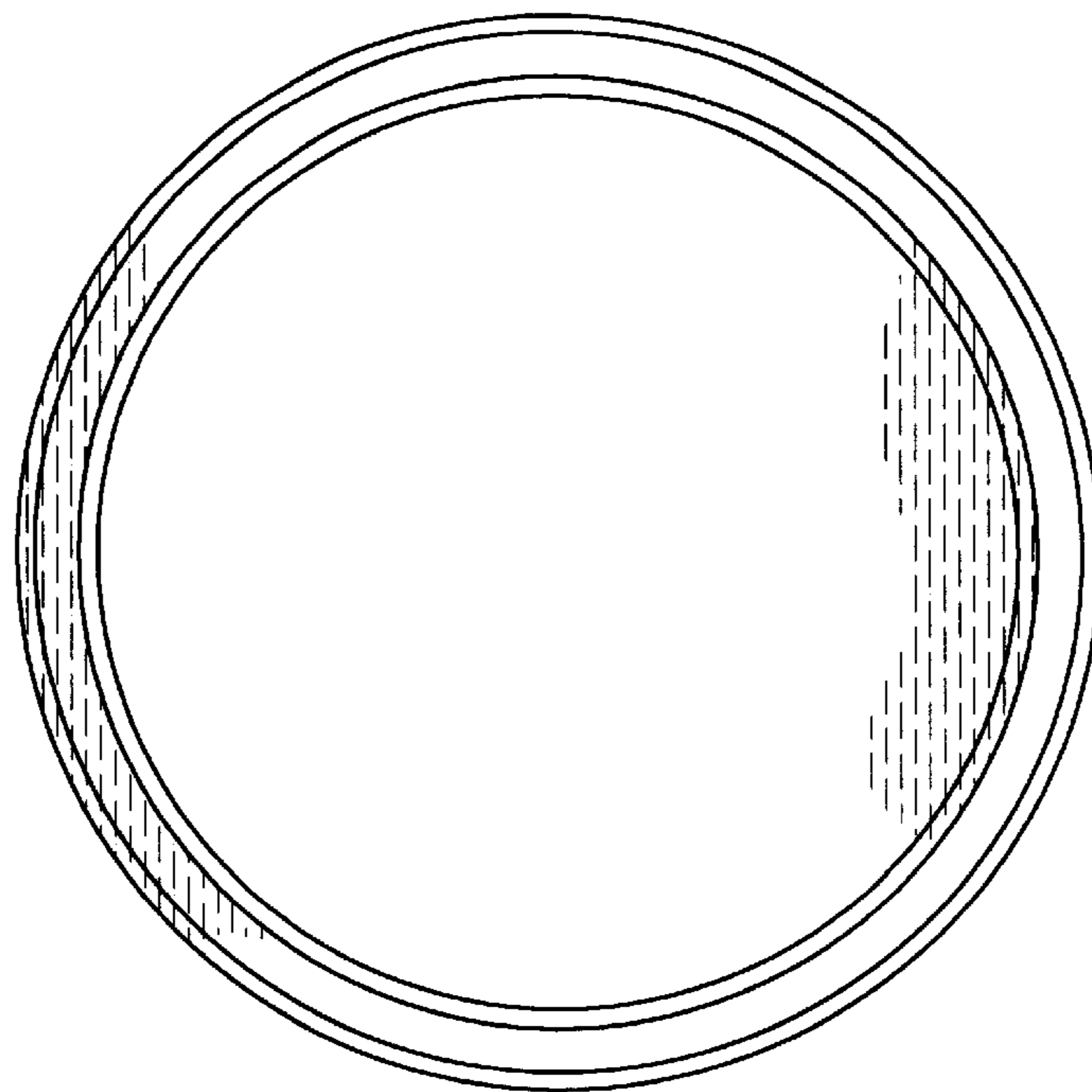


FIG. 5