



US00D445206S

(12) **United States Design Patent**
Wareham

(10) **Patent No.:** **US D445,206 S**

(45) **Date of Patent:** **** Jul. 17, 2001**

(54) **HEADLIGHT FOR A CARPET EXTRACTOR**

D. 419,249 * 1/2000 Ford et al. D26/28

(75) Inventor: **Richard A. Wareham**, North Canton, OH (US)

* cited by examiner

Primary Examiner—Marcus A. Jackson

(73) Assignee: **The Hoover Company**, North Canton, OH (US)

(74) *Attorney, Agent, or Firm*—A. Burgess Lowe; Brett A. Schenck

(**) Term: **14 Years**

(57) **CLAIM**

The ornamental design of a headlight for a carpet extractor, as shown and described.

(21) Appl. No.: **29/135,770**

DESCRIPTION

(22) Filed: **Jan. 18, 2001**

(51) **LOC (7) Cl.** **26-04**

FIG. 1 is a perspective view showing a first embodiment of my new ornamental design for a headlight for a carpet extractor;

(52) **U.S. Cl.** **D26/28**

FIG. 2 is a front elevational view thereof;

(58) **Field of Search** D26/28-36; 362/35, 362/61, 74, 80, 81, 82, 83; 340/384 R, 384 E

FIG. 3 is a top elevational view thereof; and,

FIG. 4 is a right side elevational view thereof, the left side being a mirror image.

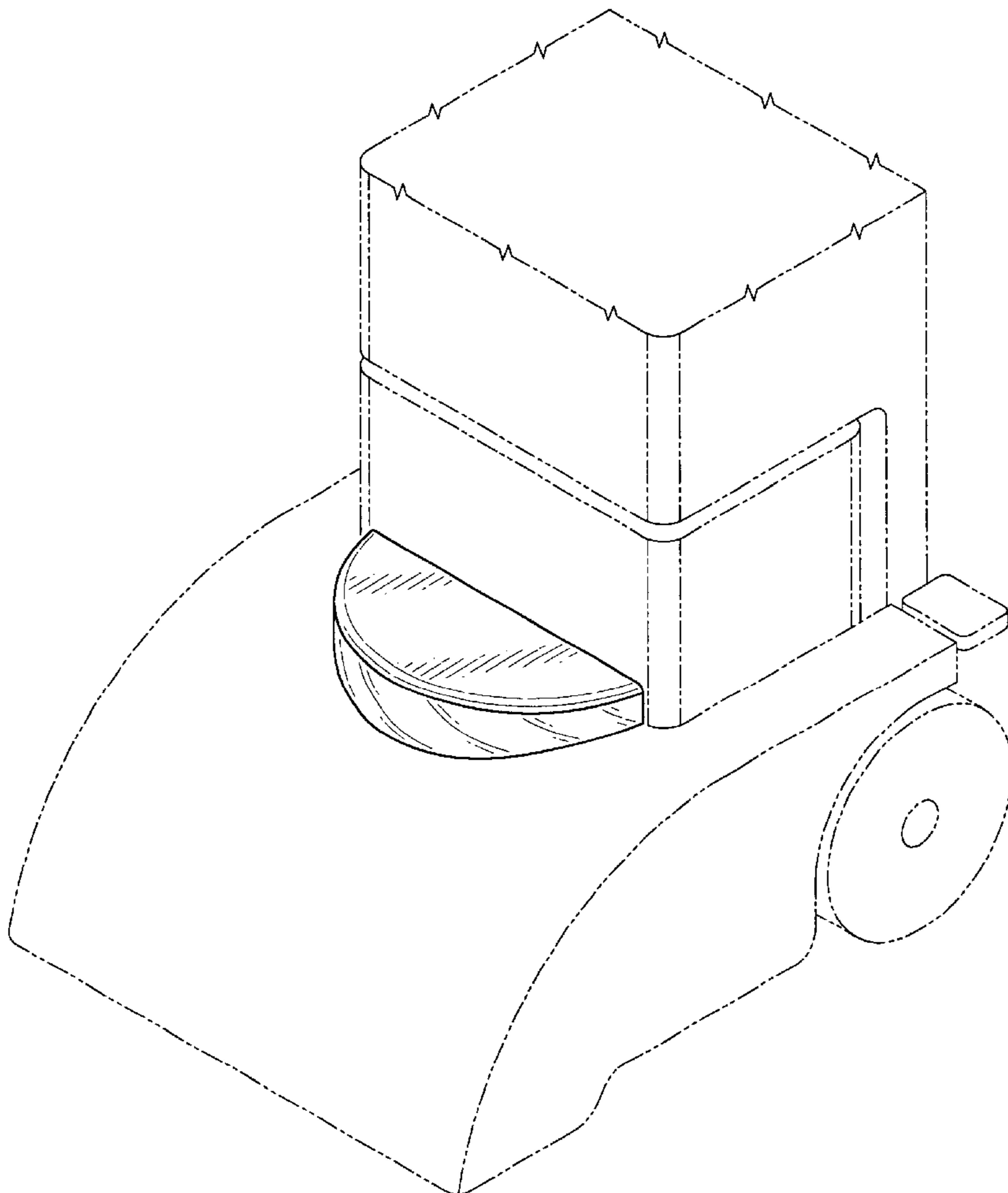
(56) **References Cited**

The details shown in broken lines are shown for illustrative purposes only and form no part of the claimed design.

U.S. PATENT DOCUMENTS

D. 415,296 * 10/1999 Gavin D26/28

1 Claim, 3 Drawing Sheets



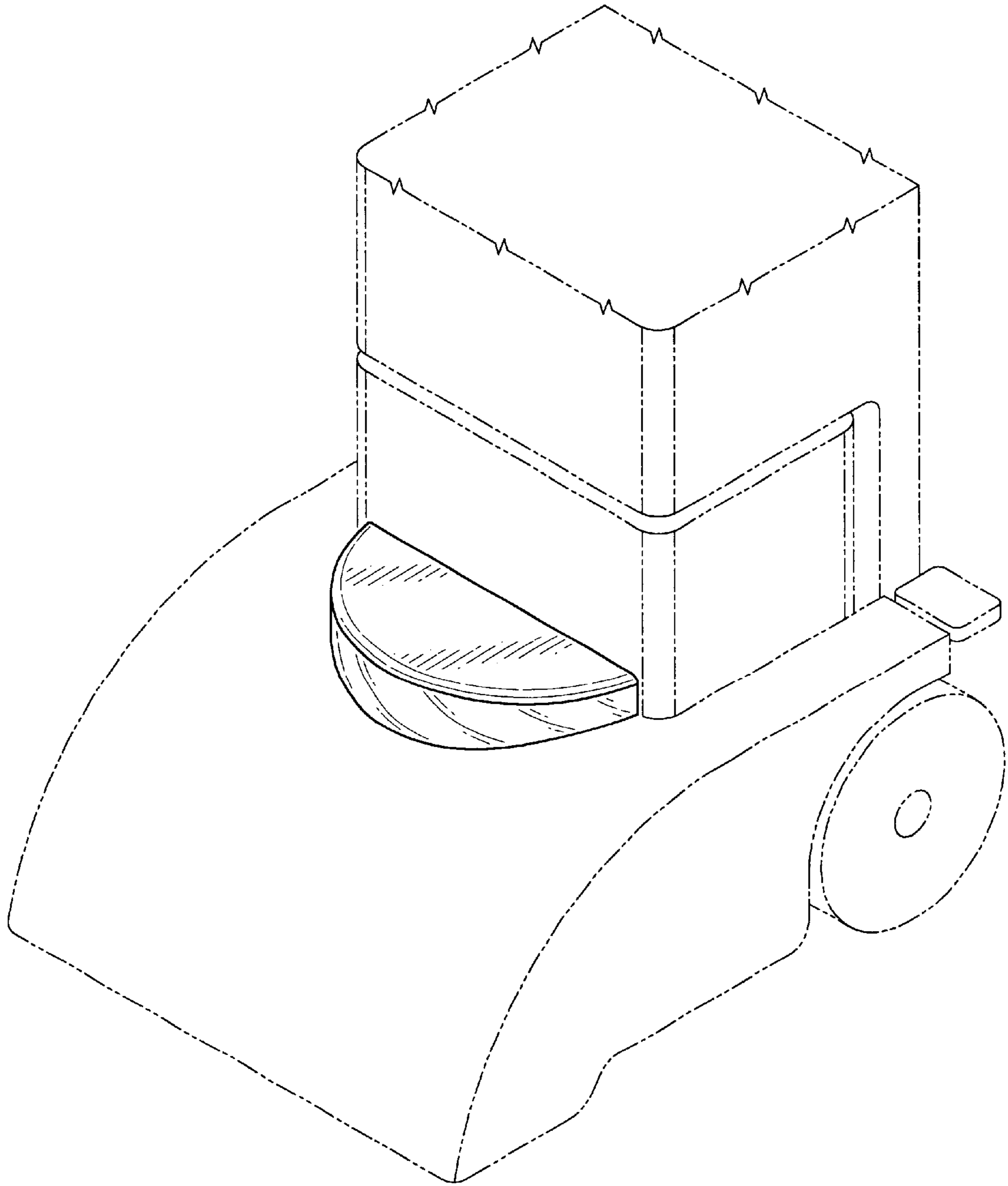


FIG-1

FIG-2

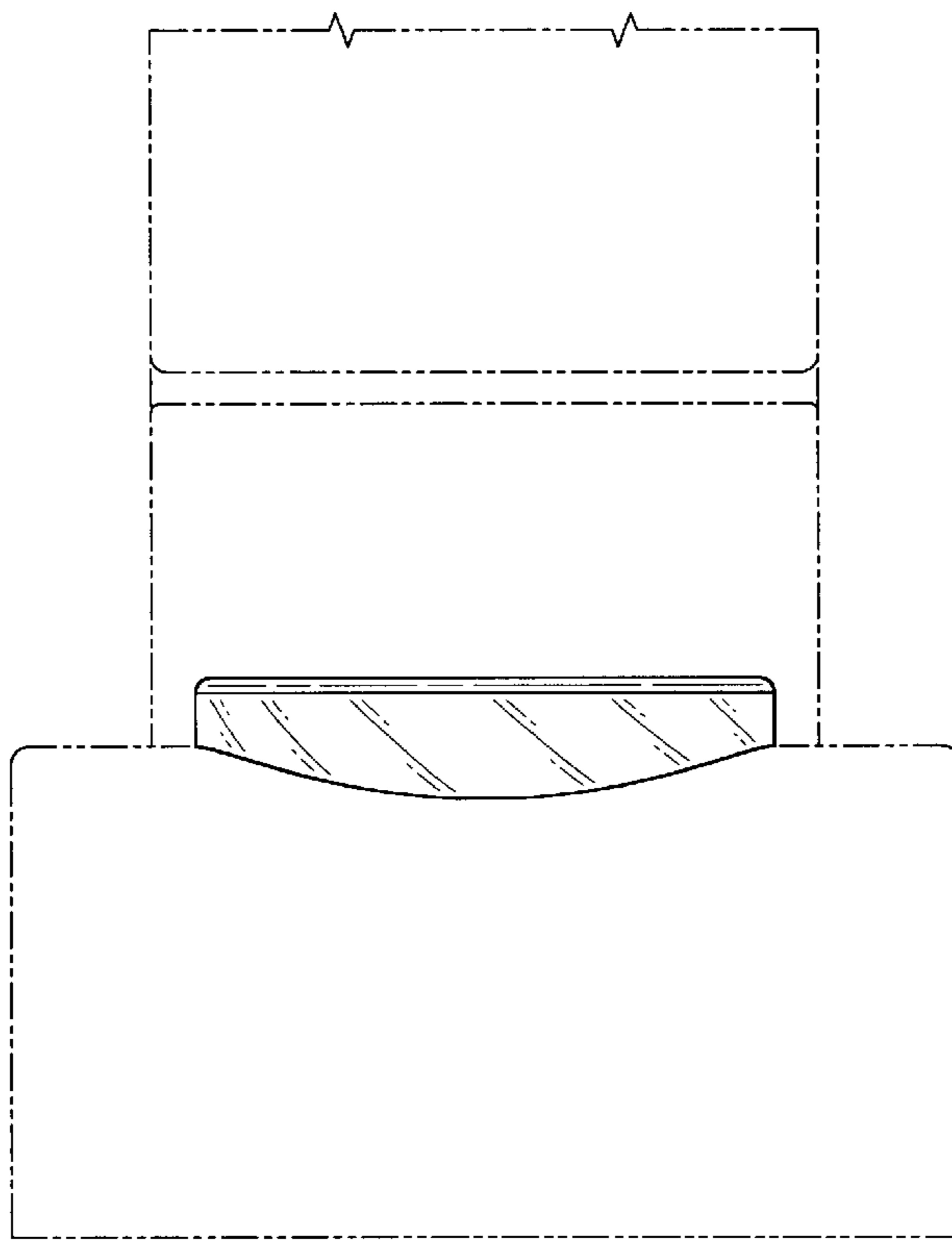


FIG-3

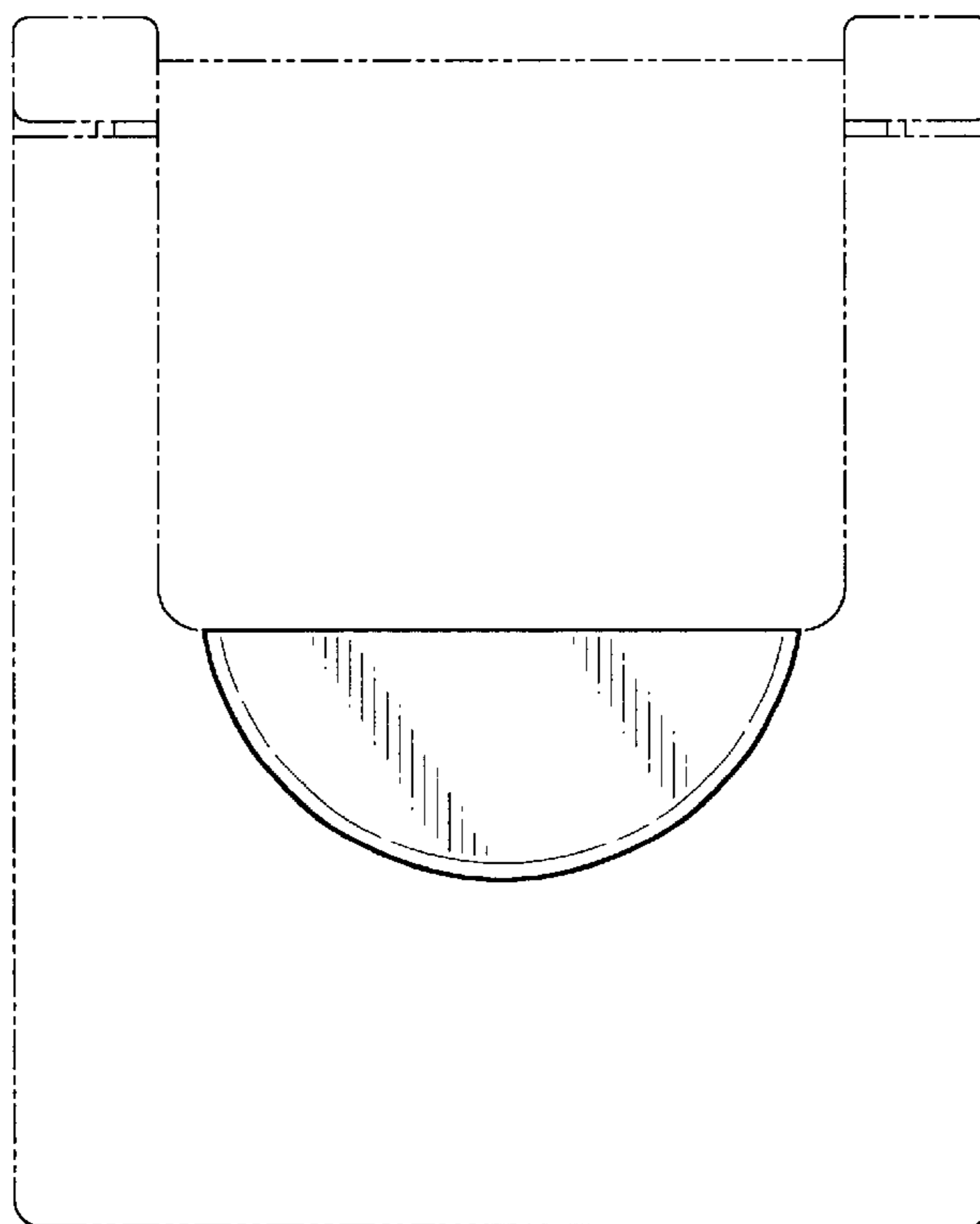


FIG-4

