



US00D445205S

(12) **United States Design Patent**
Thaler

(10) **Patent No.:** **US D445,205 S**

(45) **Date of Patent:** **** Jul. 17, 2001**

(54) **FLASHING**

(75) Inventor: **Ken Thaler**, Ontario (CA)

(73) Assignee: **Thaler Metal Industries Ltd.** (CA)

(**) Term: **14 Years**

(21) Appl. No.: **29/118,452**

(22) Filed: **Feb. 7, 2000**

(30) **Foreign Application Priority Data**

Aug. 11, 1999 (CA) 1999-1977

(51) **LOC (7) Cl.** **25-99**

(52) **U.S. Cl.** **D25/199**

(58) **Field of Search** D25/199; 52/58-62;
285/44, 42, 43

(56) **References Cited**

U.S. PATENT DOCUMENTS

D. 292,233 * 10/1987 Schalle D25/199
5,778,611 * 7/1998 Michel 52/38

OTHER PUBLICATIONS

Thaler Roofing Specialties Products Inc., *Mechanical & Electrical Flashings* (Detail C-2), dated Feb., 1987.

Lexsuco brochure, *FLAS-TITE™ Electrical Conduit Flashings*, dated Jun., 1996, pp. 1-3.

Lexsuco brochure, *Flash-Tite™ Electrical Conduit Flashings*, dated Jan., 1997, 5 pages.

* cited by examiner

Primary Examiner—Doris Clark

(74) *Attorney, Agent, or Firm*—Mark Kusner

(57) **CLAIM**

The ornamental design for the flashing, as shown and described.

DESCRIPTION

FIG. 1 is a perspective view of a first variation of the design. FIG. 2 is a top plan view of the first variation of the design of FIG. 1.

FIG. 3 is a side elevation of the first variation of the design of FIG. 1. The opposite side has substantially the same appearance as the side shown.

FIG. 4 is a rear elevation of the first variation of the design of FIG. 1.

FIG. 5 is a perspective view of a second variation of the design.

FIG. 6 is a top plan view of the second variation of the design of FIG. 5.

FIG. 7 is a side elevation of the second variation of the design of FIG. 5. The opposite side has substantially the same appearance as the side shown.

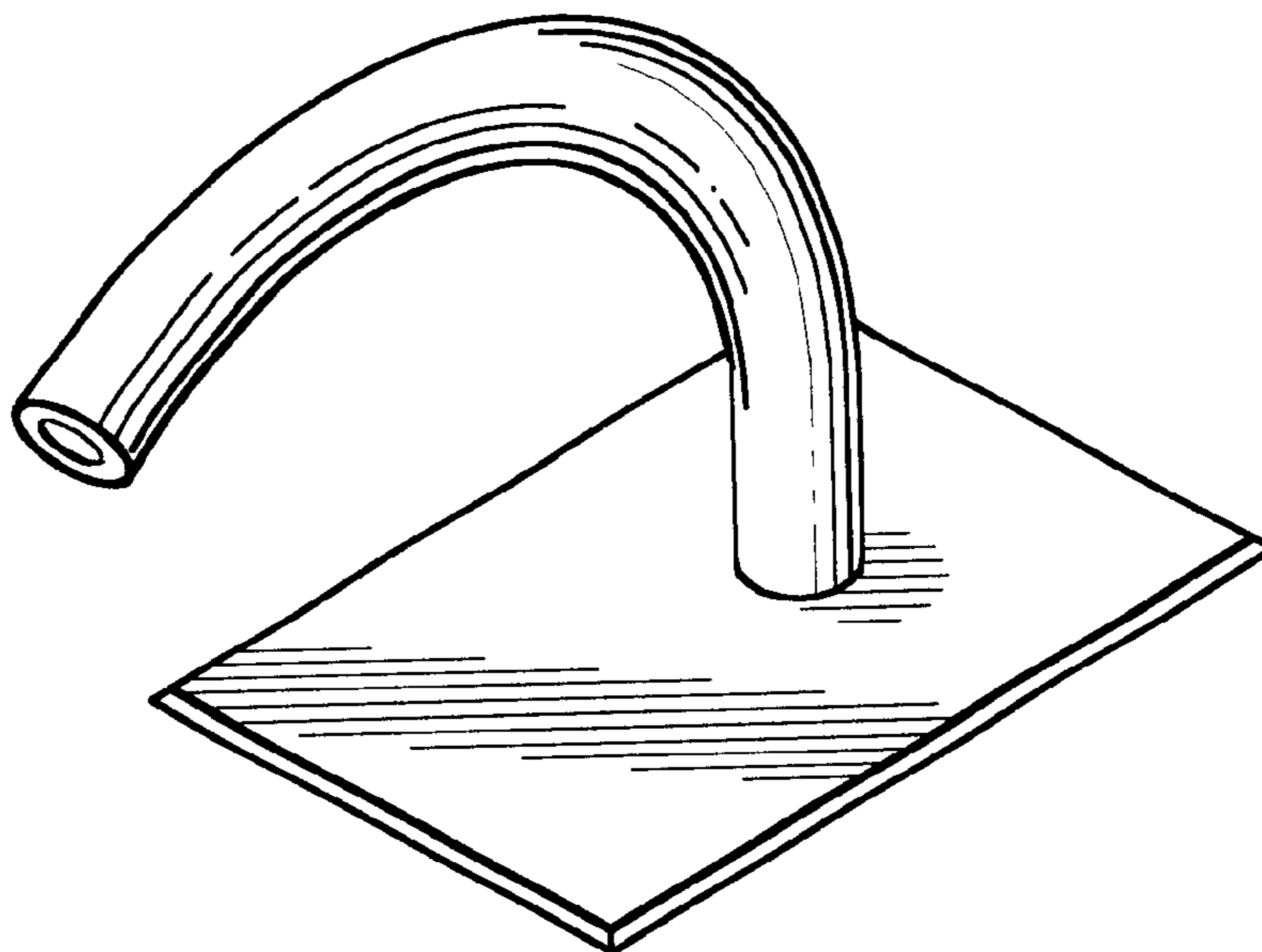
FIG. 8 is a rear elevation of the second variation of the design of FIG. 5.

FIG. 9 is a perspective view of a third variation of the design. FIG. 10 is a top plan view of the third variation of the design of FIG. 9.

FIG. 11 is a side elevation of the third variation of the design of FIG. 9. The opposite side has substantially the same appearance as the side shown; and,

FIG. 12 is a rear elevation of the third variation of the design of FIG. 9.

1 Claim, 3 Drawing Sheets



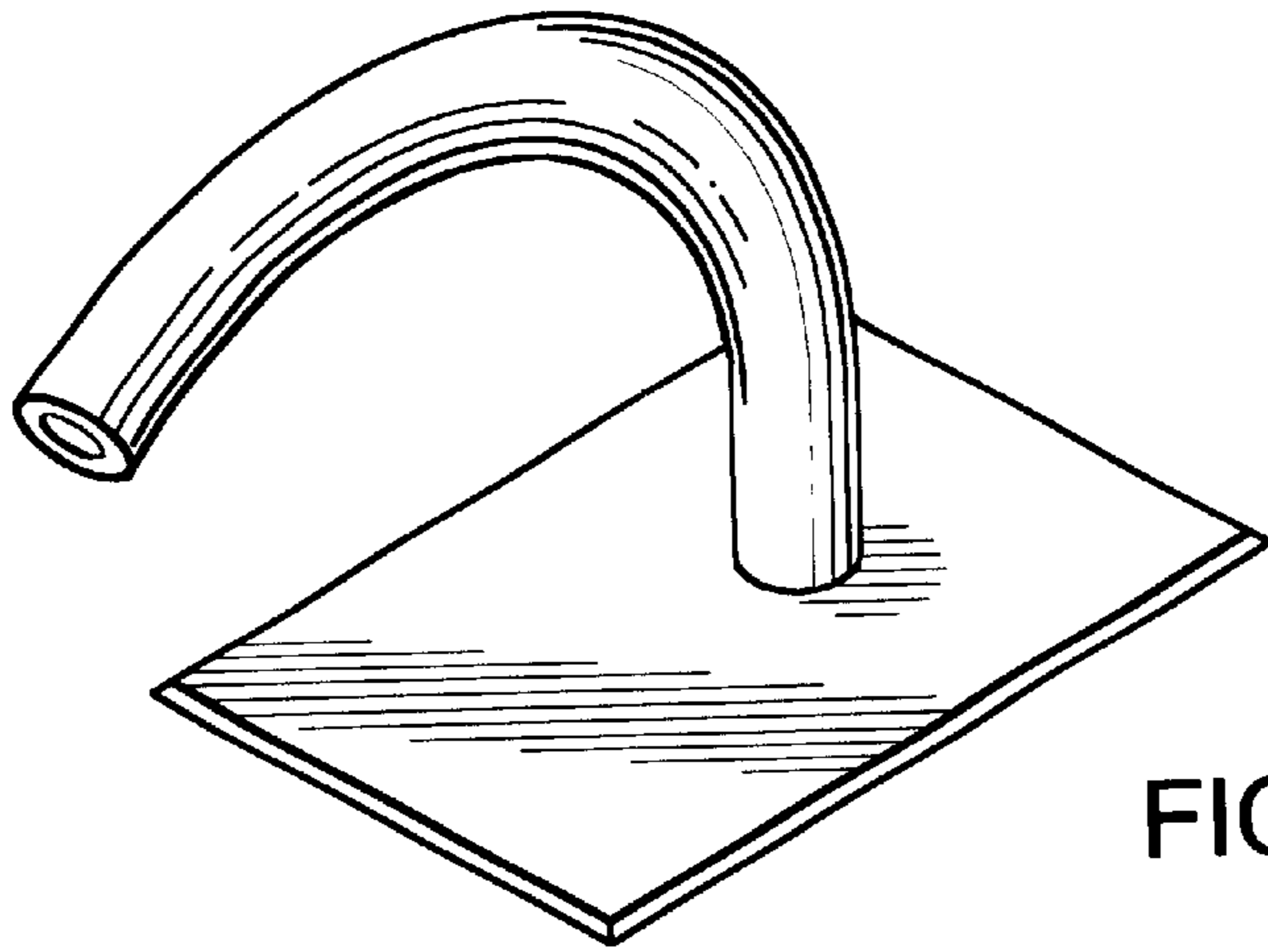


FIG. 1

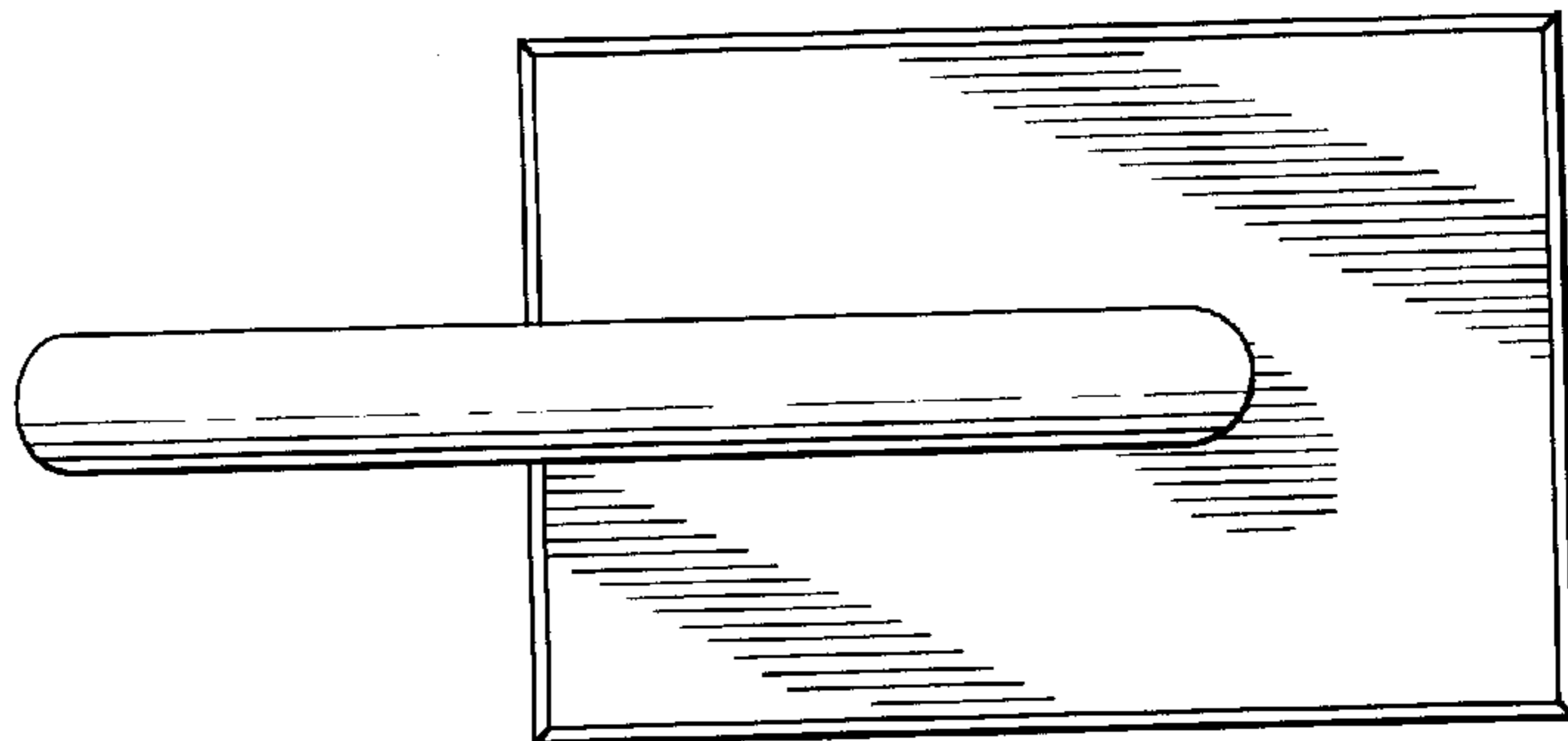


FIG. 2

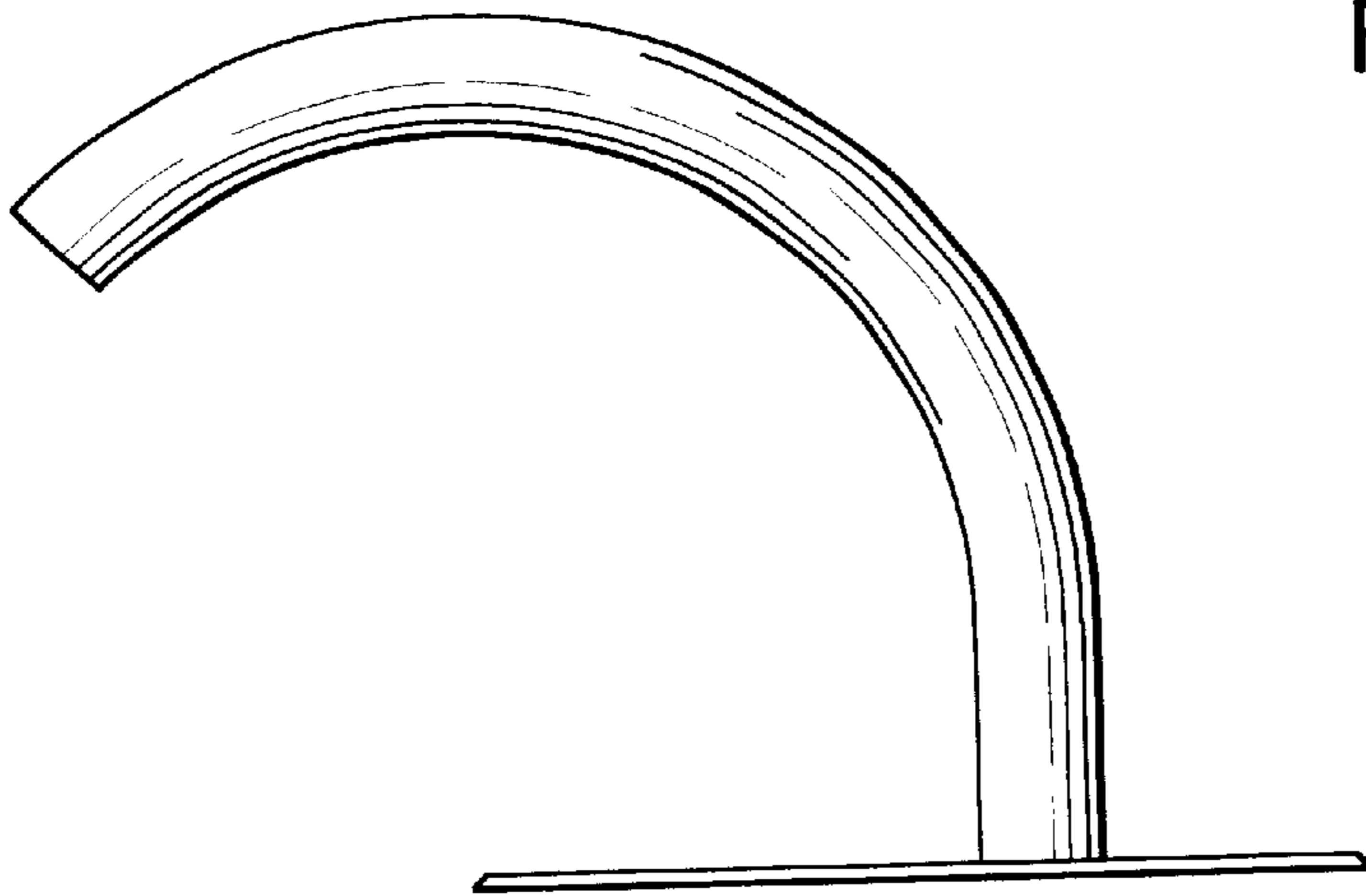


FIG. 3

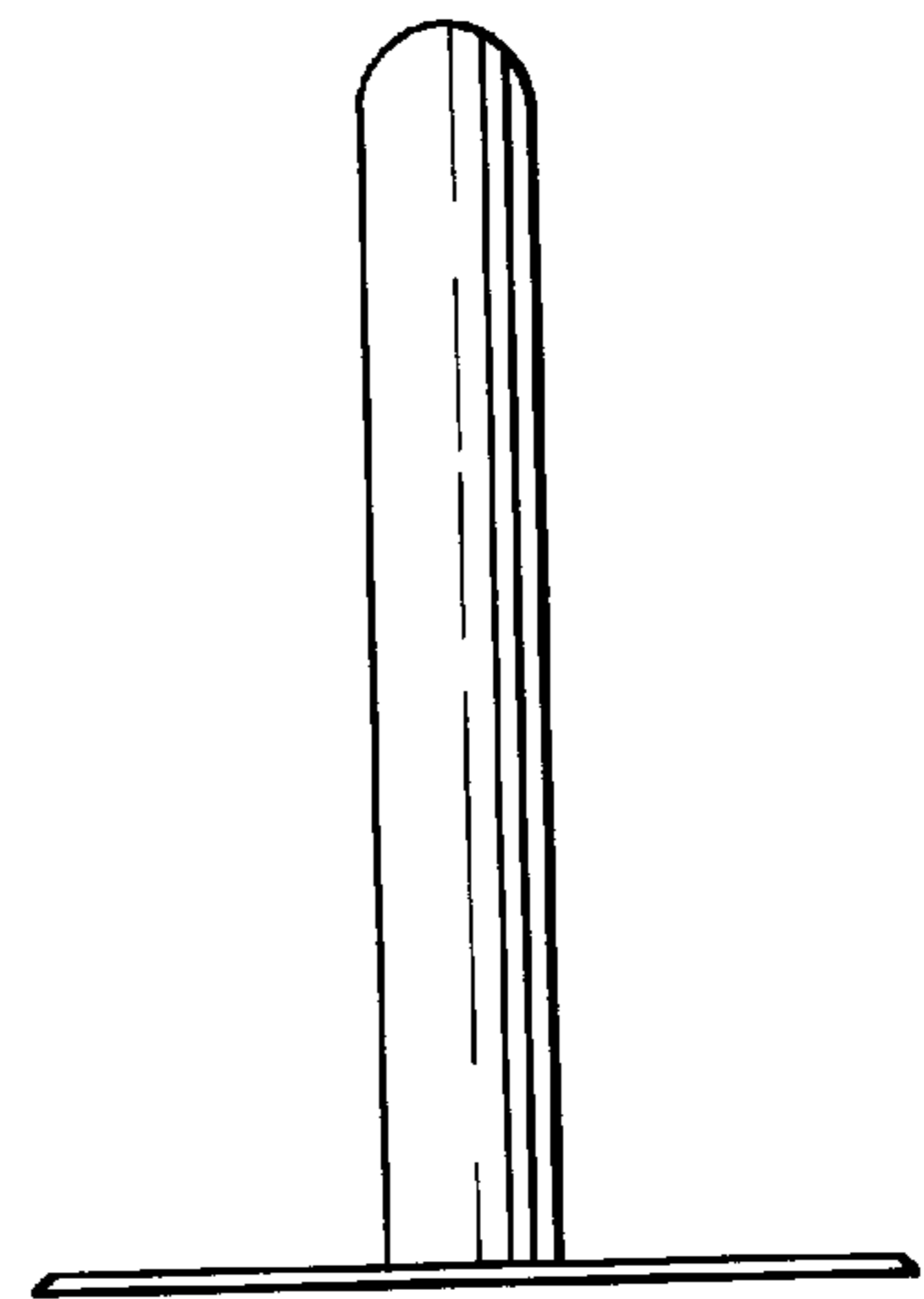


FIG. 4

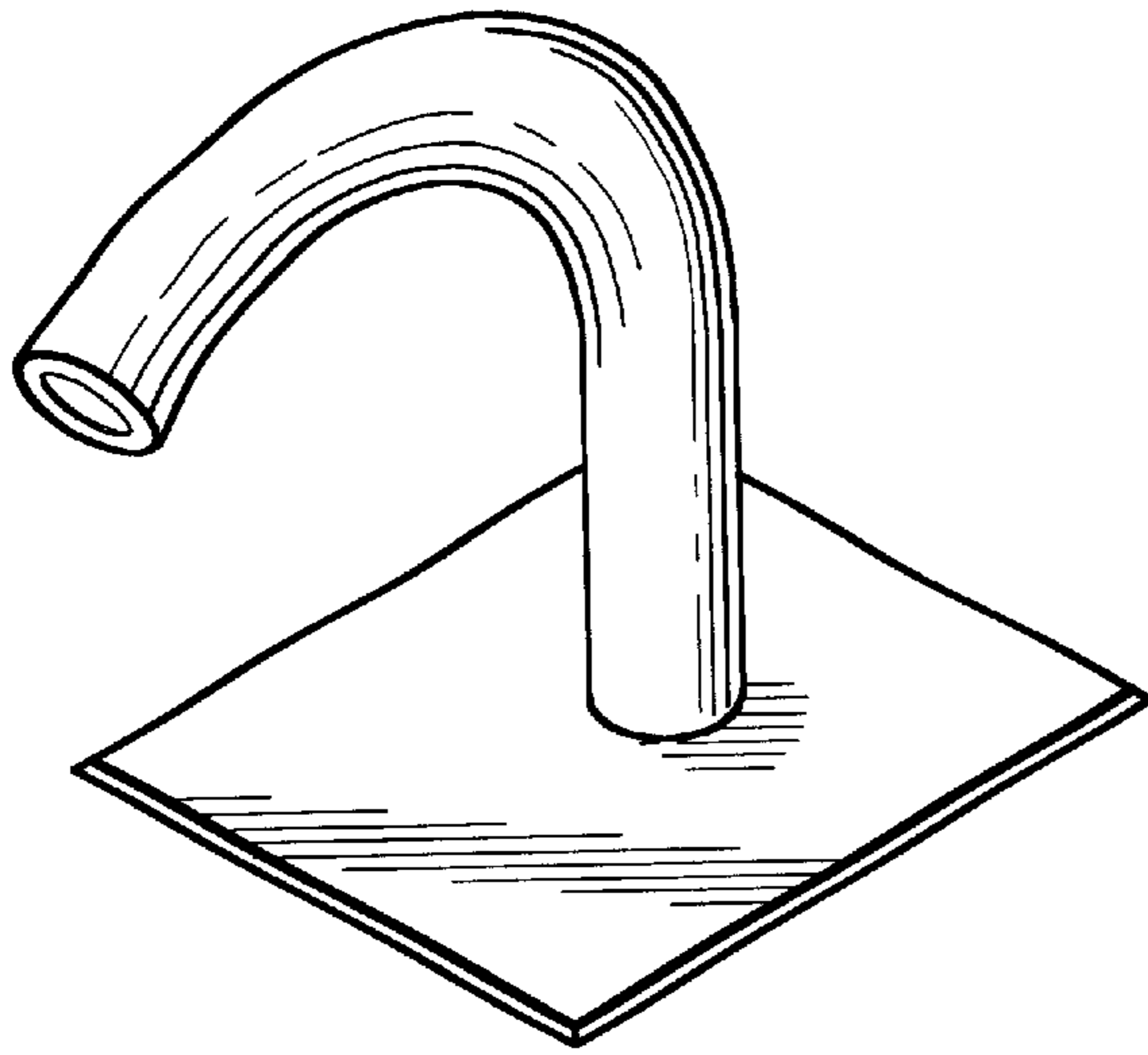


FIG. 5

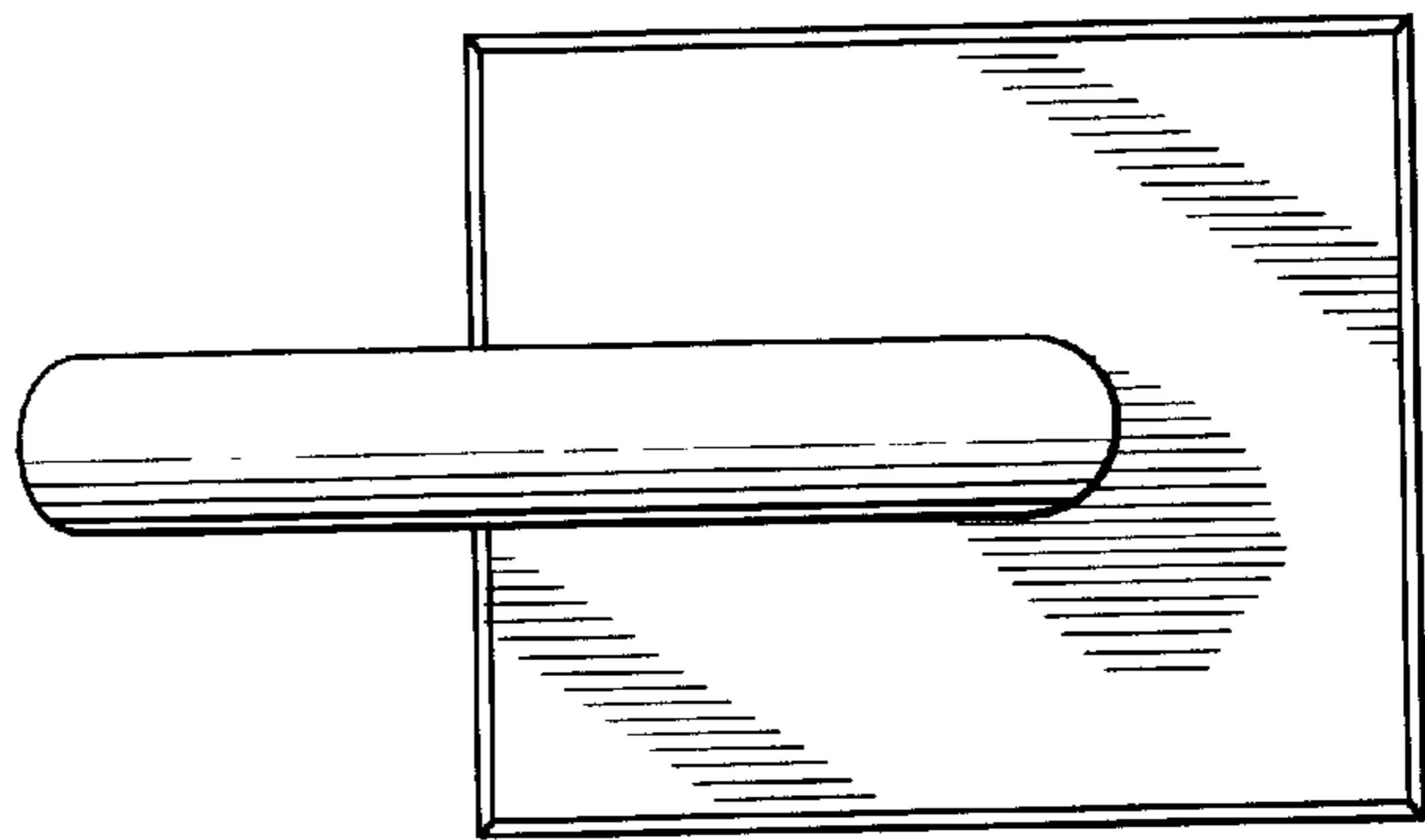


FIG. 6

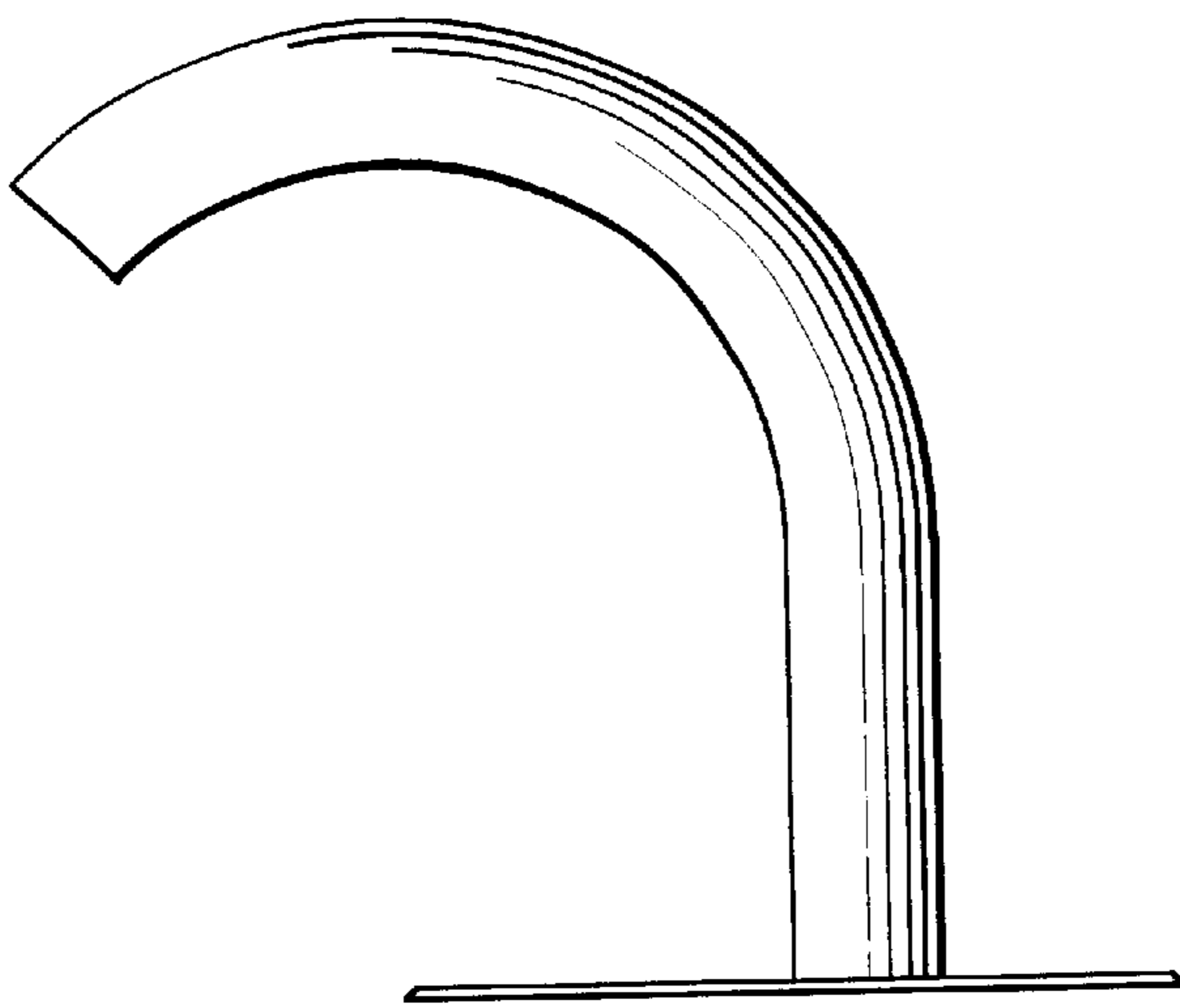


FIG. 7

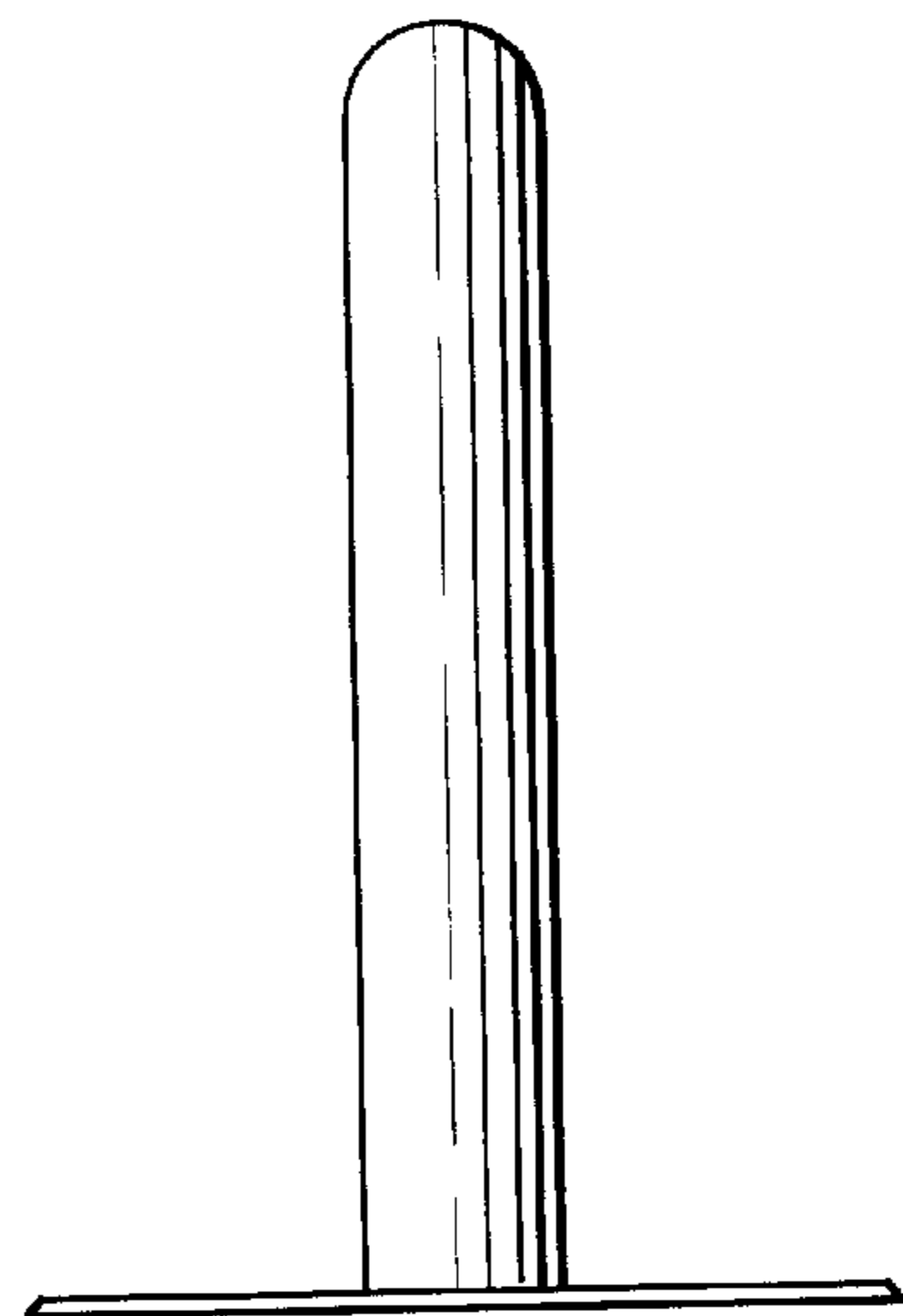


FIG. 8

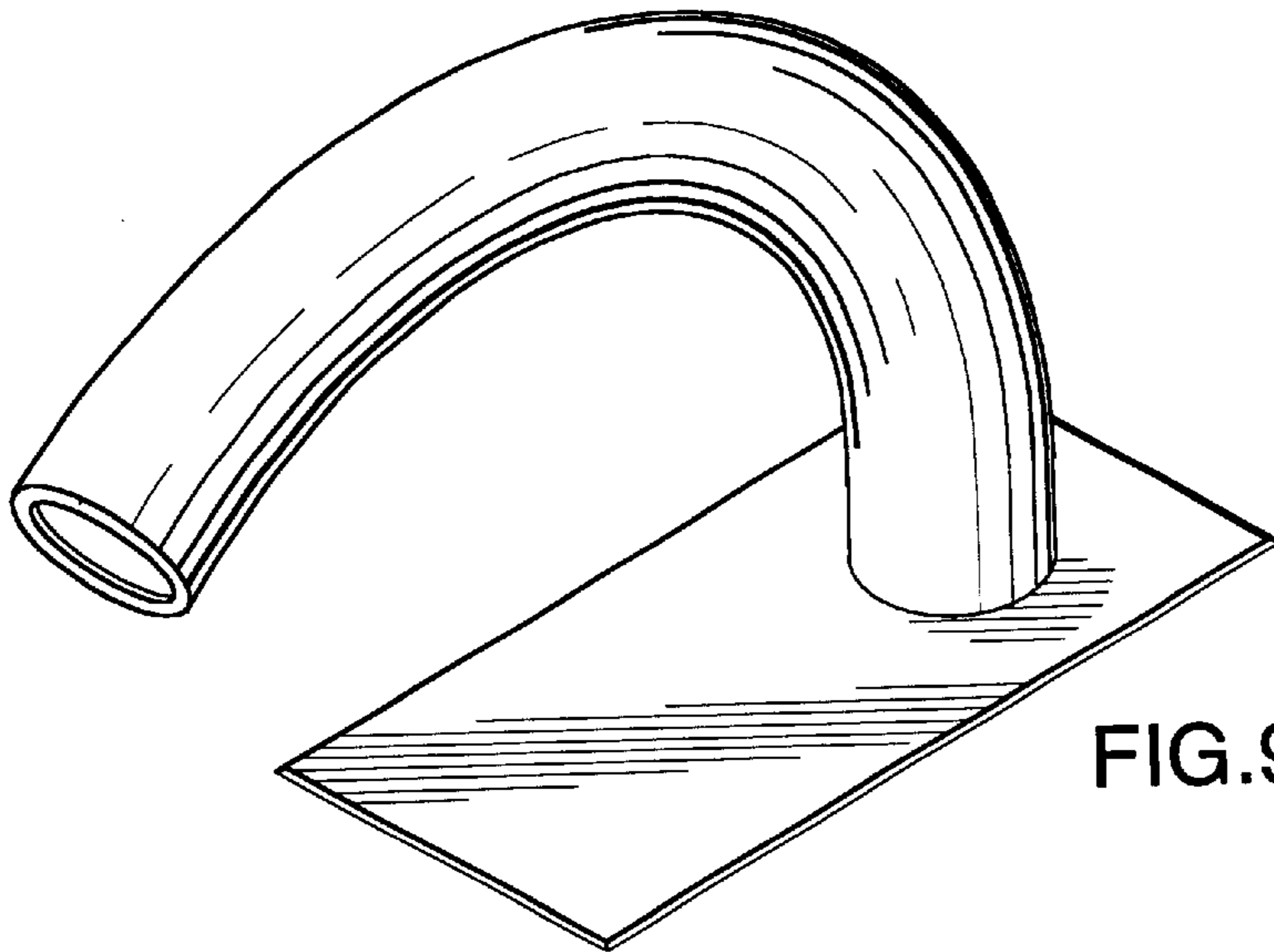


FIG. 9

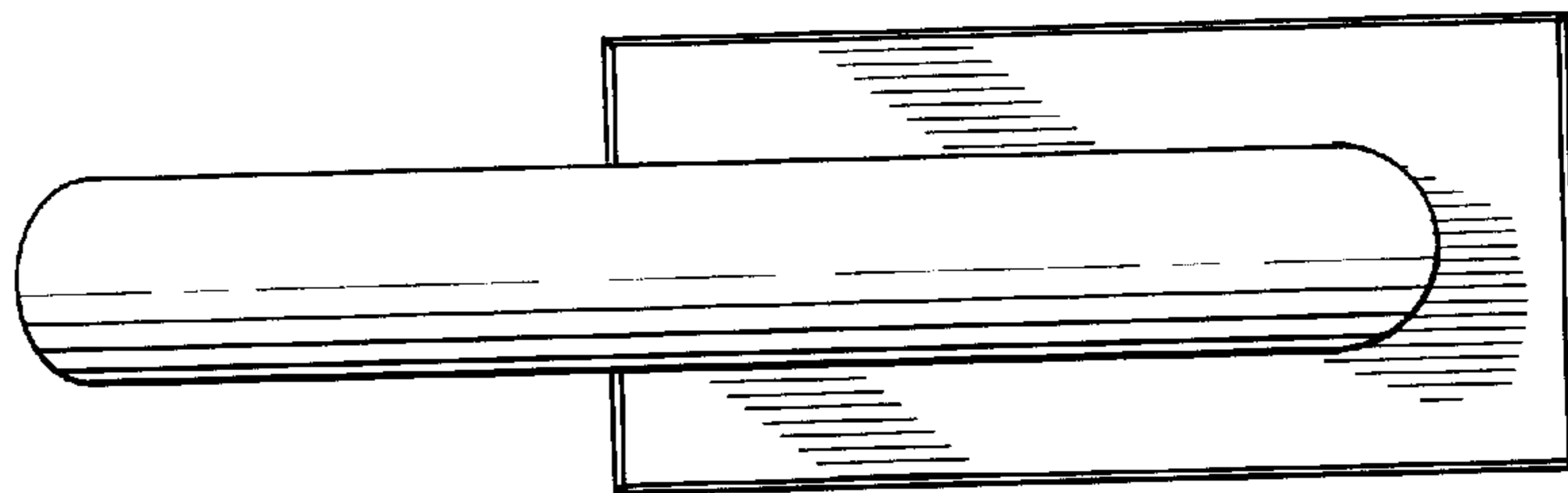


FIG. 10

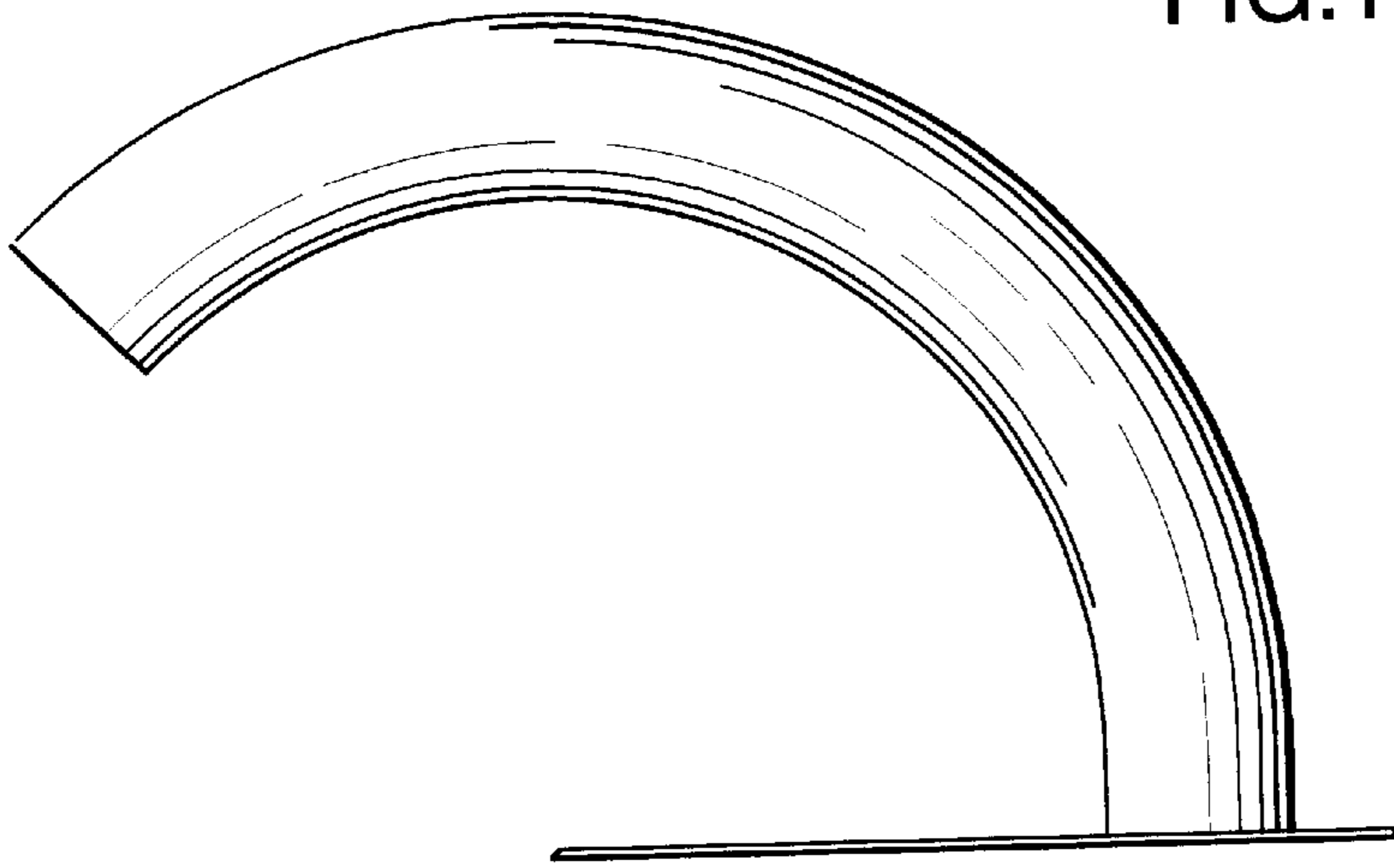


FIG. 11

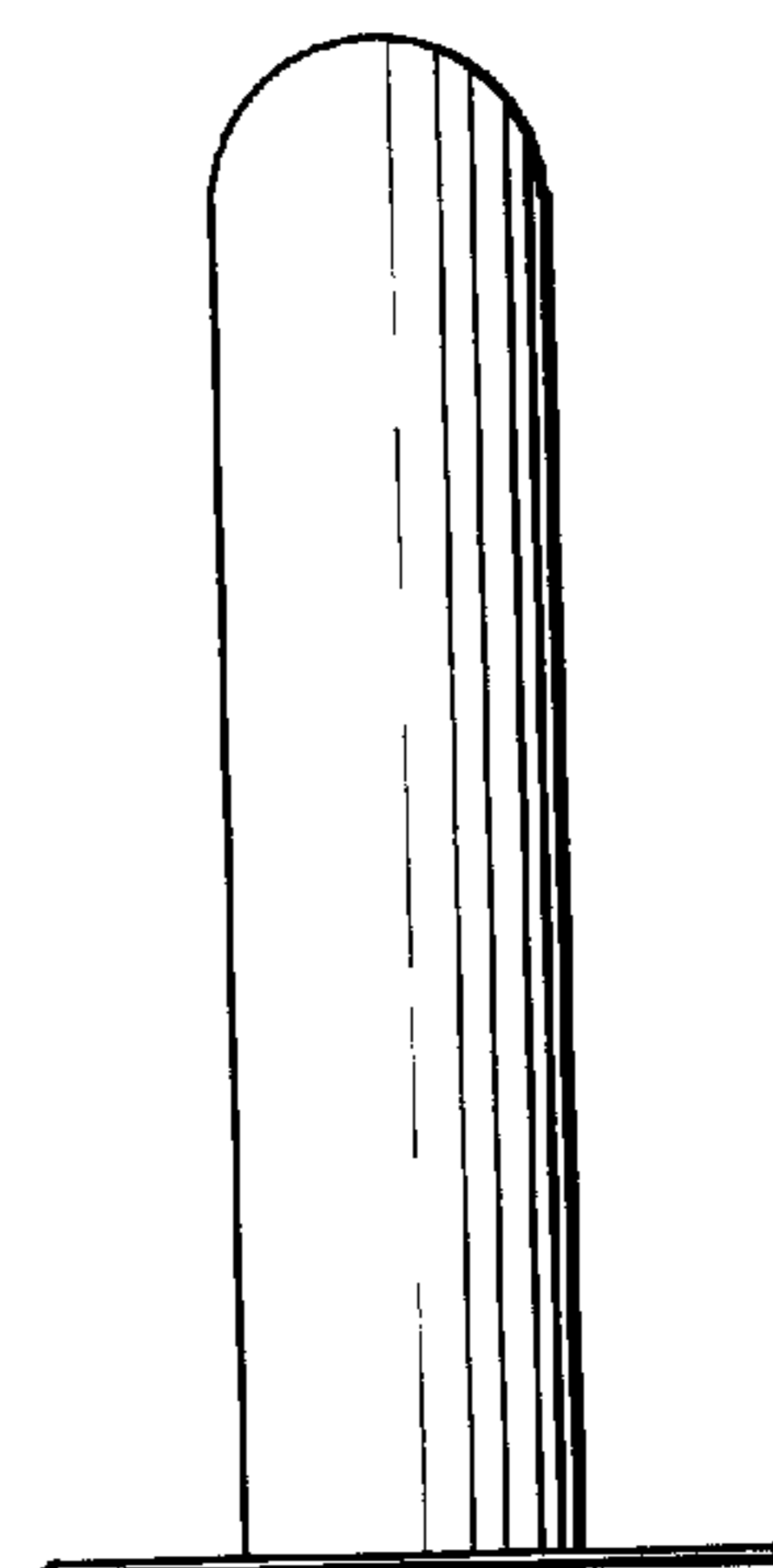


FIG. 12