



US00D445202S

(12) **United States Design Patent**
Lungo

(10) **Patent No.:** **US D445,202 S**

(45) **Date of Patent:** **** Jul. 17, 2001**

(54) **LADDER BAG**

(76) **Inventor:** **Philip M. Lungo**, 5920 Park Ridge Rd.,
Loves Park, IL (US) 61115

(**) **Term:** **14 Years**

(21) **Appl. No.:** **29/126,648**

(22) **Filed:** **Jul. 19, 2000**

(51) **LOC (7) Cl.** **25-04**

(52) **U.S. Cl.** **D25/68**

(58) **Field of Search** D25/68; D2/229;
182/129, 210, 107, 108, 109, 46; 248/210;
206/234, 349, 372, 373; D3/40, 48, 105,
75, 53, 36, 52, 303, 304, 315

(56) **References Cited**

U.S. PATENT DOCUMENTS

D. 317,206	5/1991	Cagle .	
D. 380,276	* 6/1997	Gaona et al.	D25/68
D. 397,229	8/1998	Winters et al. .	
D. 410,551	6/1999	Guimont et al. .	
D. 427,771	7/2000	Trejo .	
4,726,446	2/1988	Perbix .	
4,773,535	* 9/1988	Cook	206/373

5,638,915	6/1997	Hardy .
5,639,003	6/1997	Utzinger .
5,647,453	7/1997	Cassells .
5,749,437	5/1998	Weller .
5,813,530	9/1998	Kornblatt .
5,971,101	10/1999	Taggart .

* cited by examiner

Primary Examiner—Doris Clark

(74) *Attorney, Agent, or Firm*—Keith Frantz

(57) **CLAIM**

The ornamental design for a ladder bag, as shown and described.

DESCRIPTION

FIG. 1 is a left-side perspective view showing my new design.

FIG. 2 is a front view thereof.

FIG. 3 is a left side view thereof.

FIG. 4 is a back view thereof.

FIG. 5 is a top plan view thereof.

FIG. 6 is a bottom plan view thereof.

FIG. 7 is a right-side perspective view thereof; and,

FIG. 8 is a right side view thereof.

1 Claim, 5 Drawing Sheets

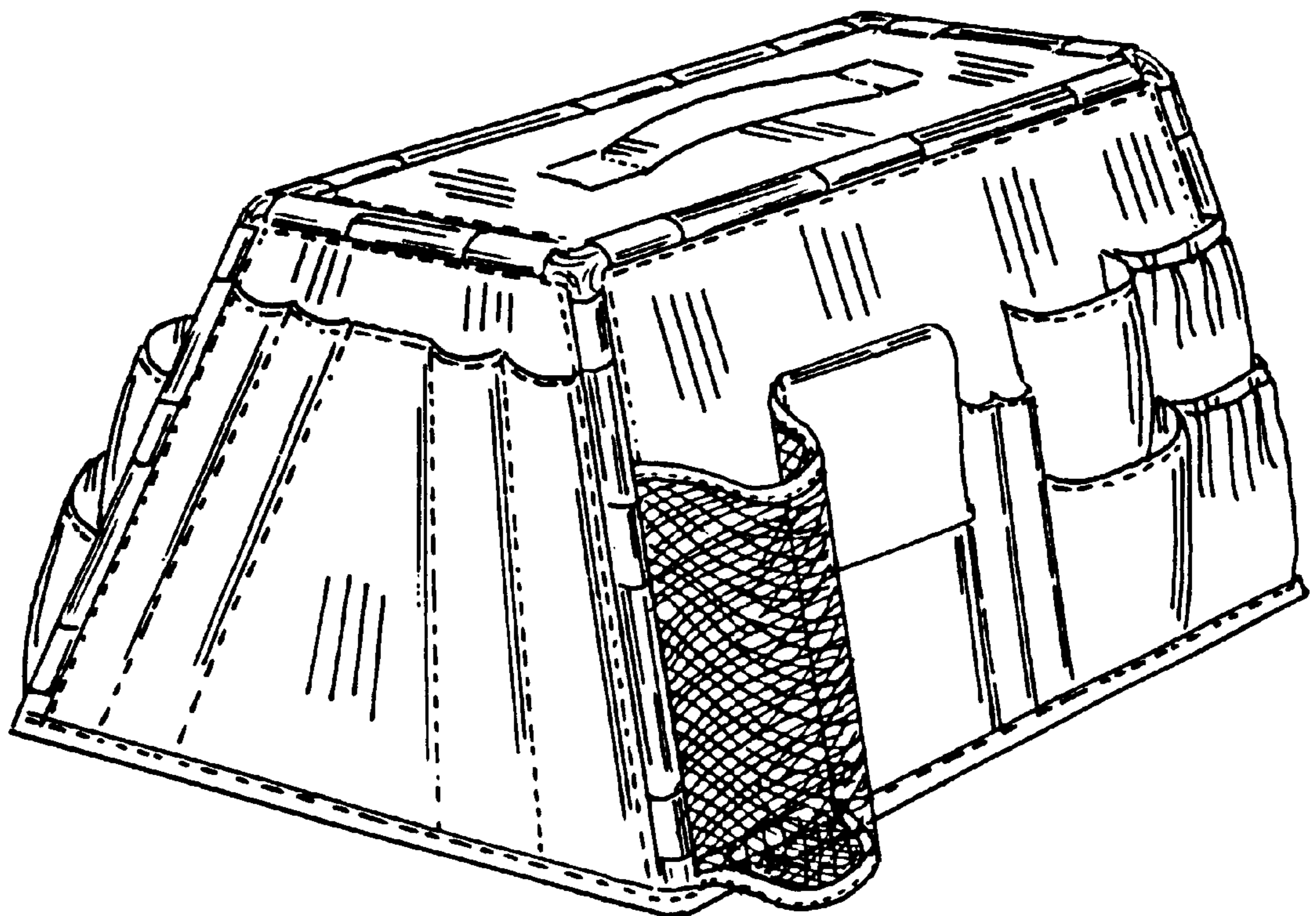


FIG. 1

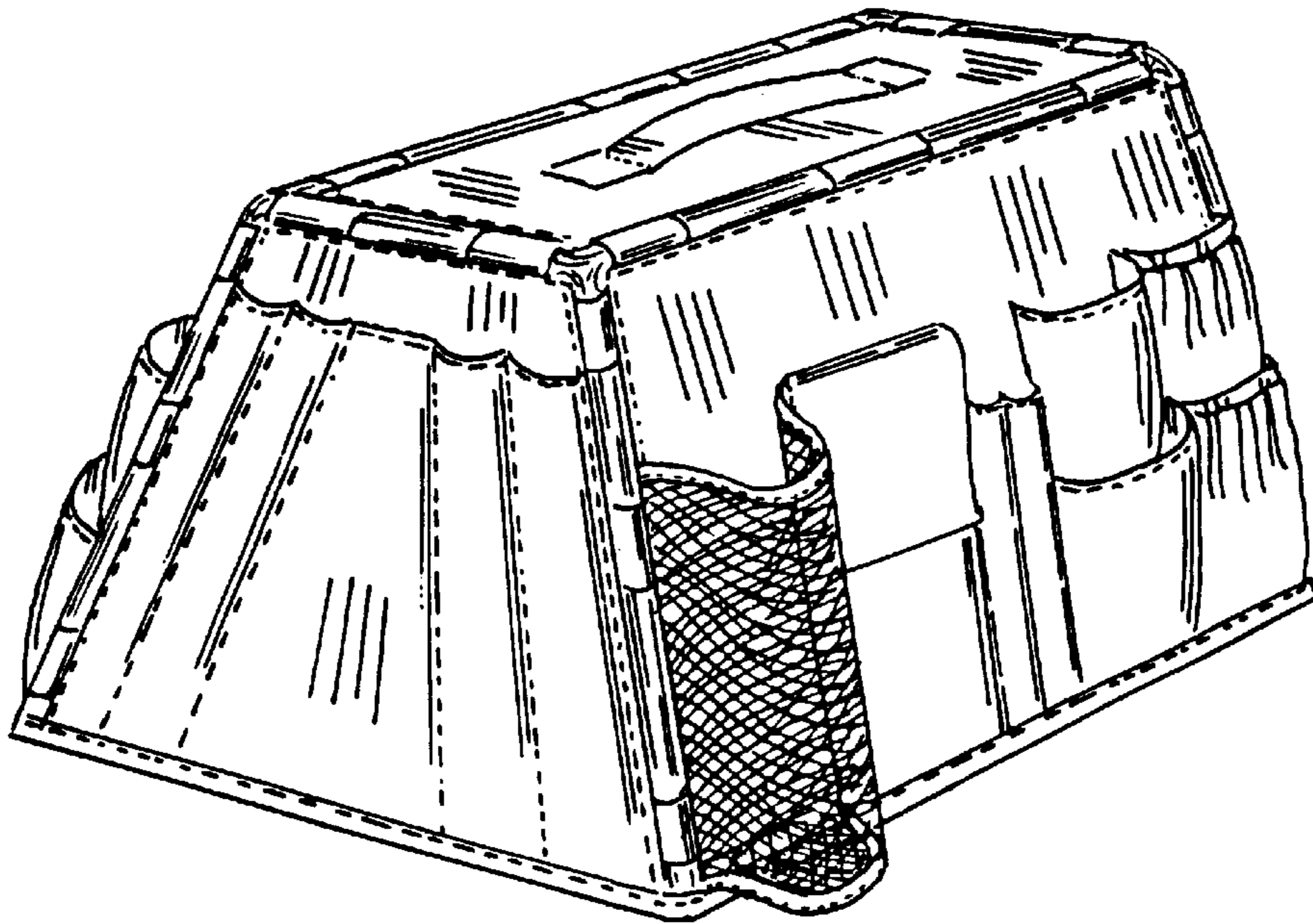
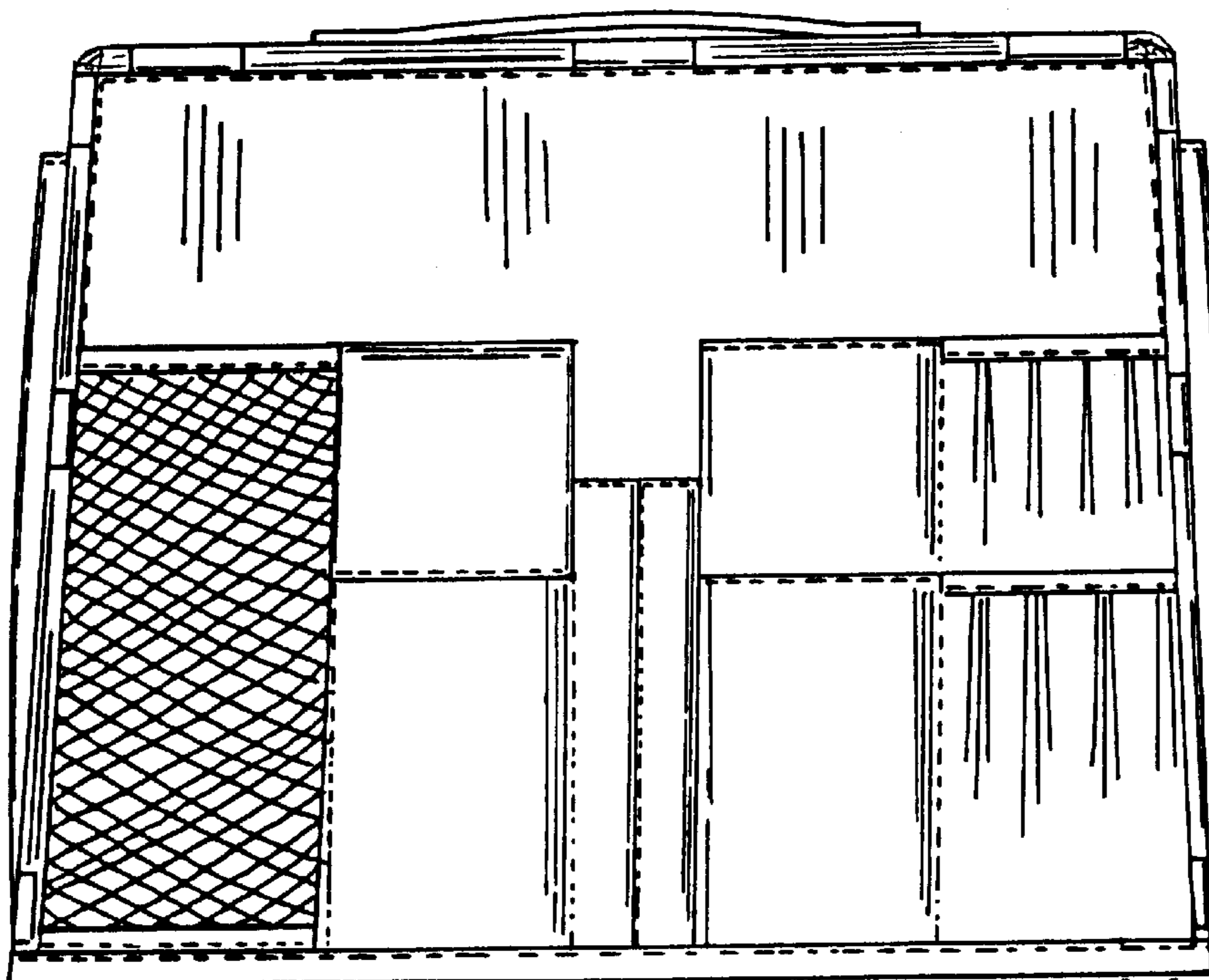


FIG. 2



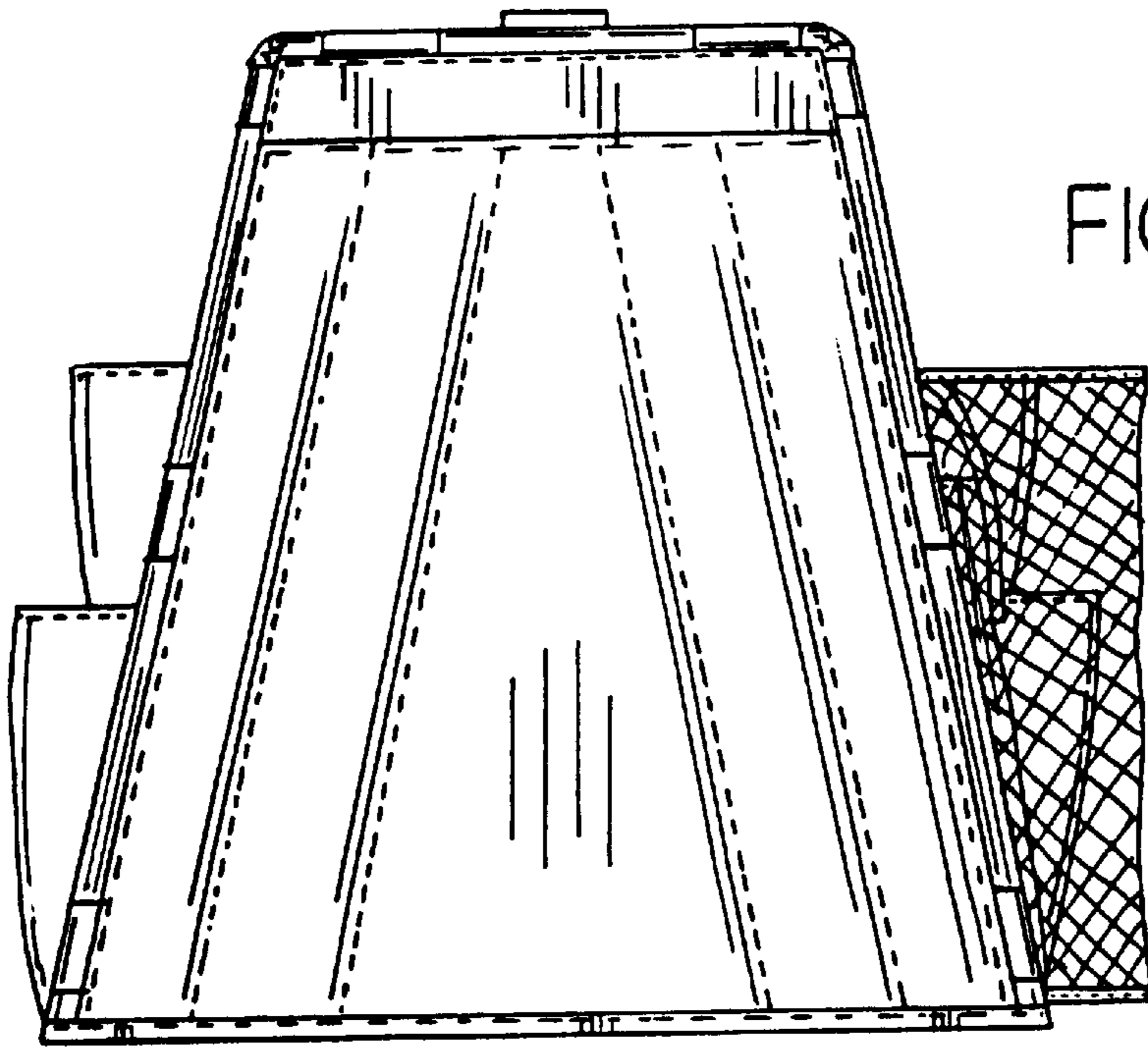


FIG. 3

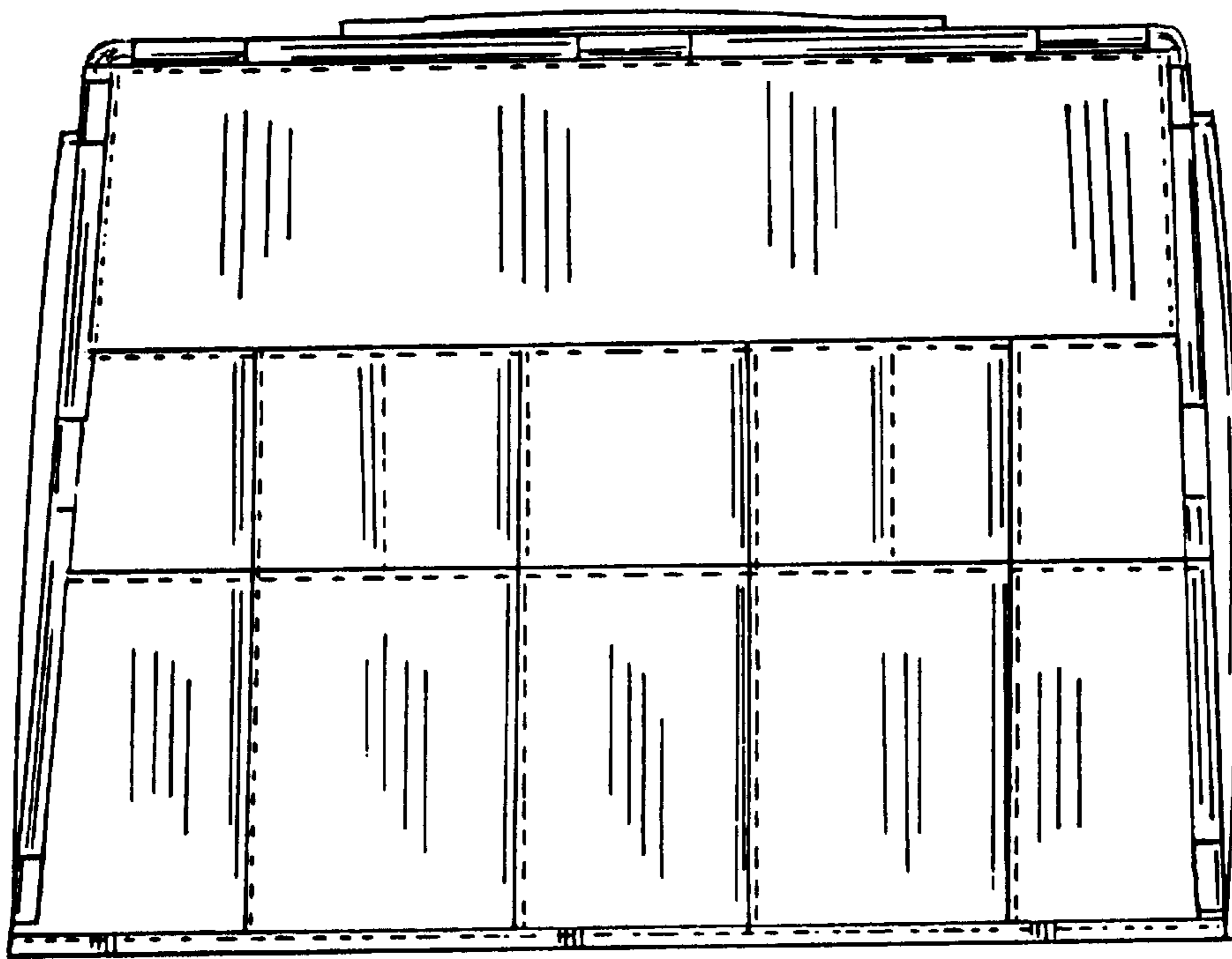


FIG. 4

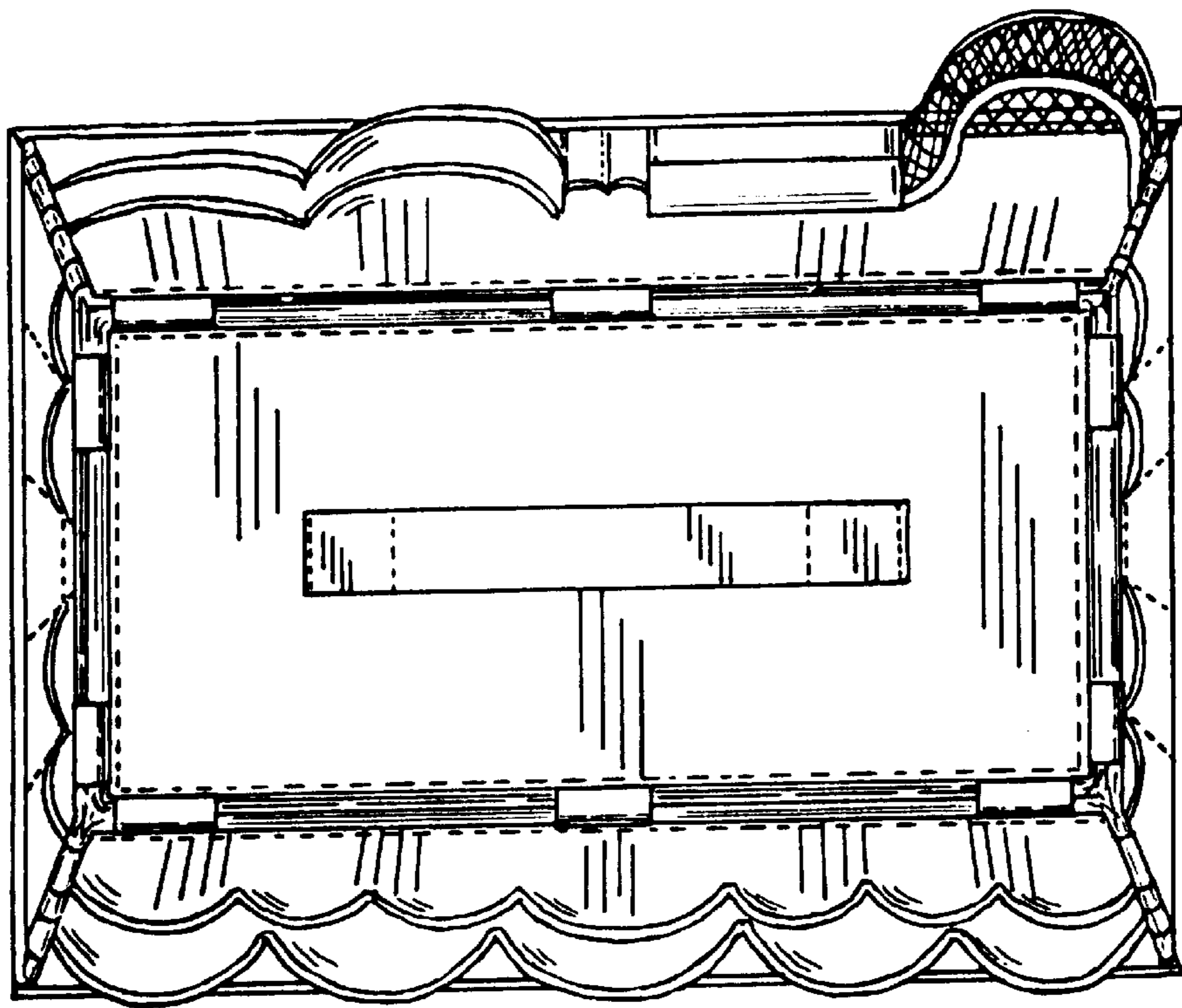


FIG. 5

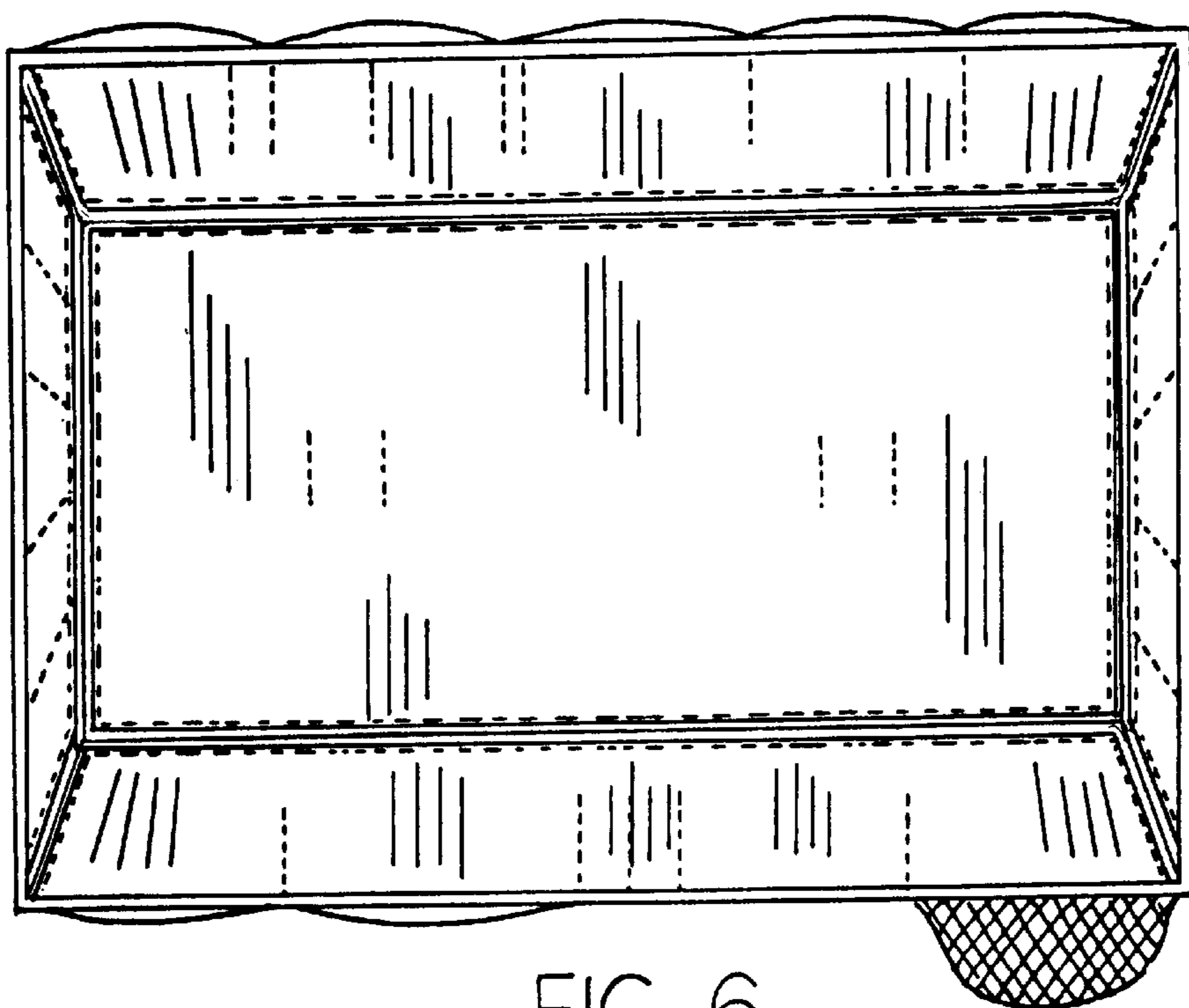


FIG. 6

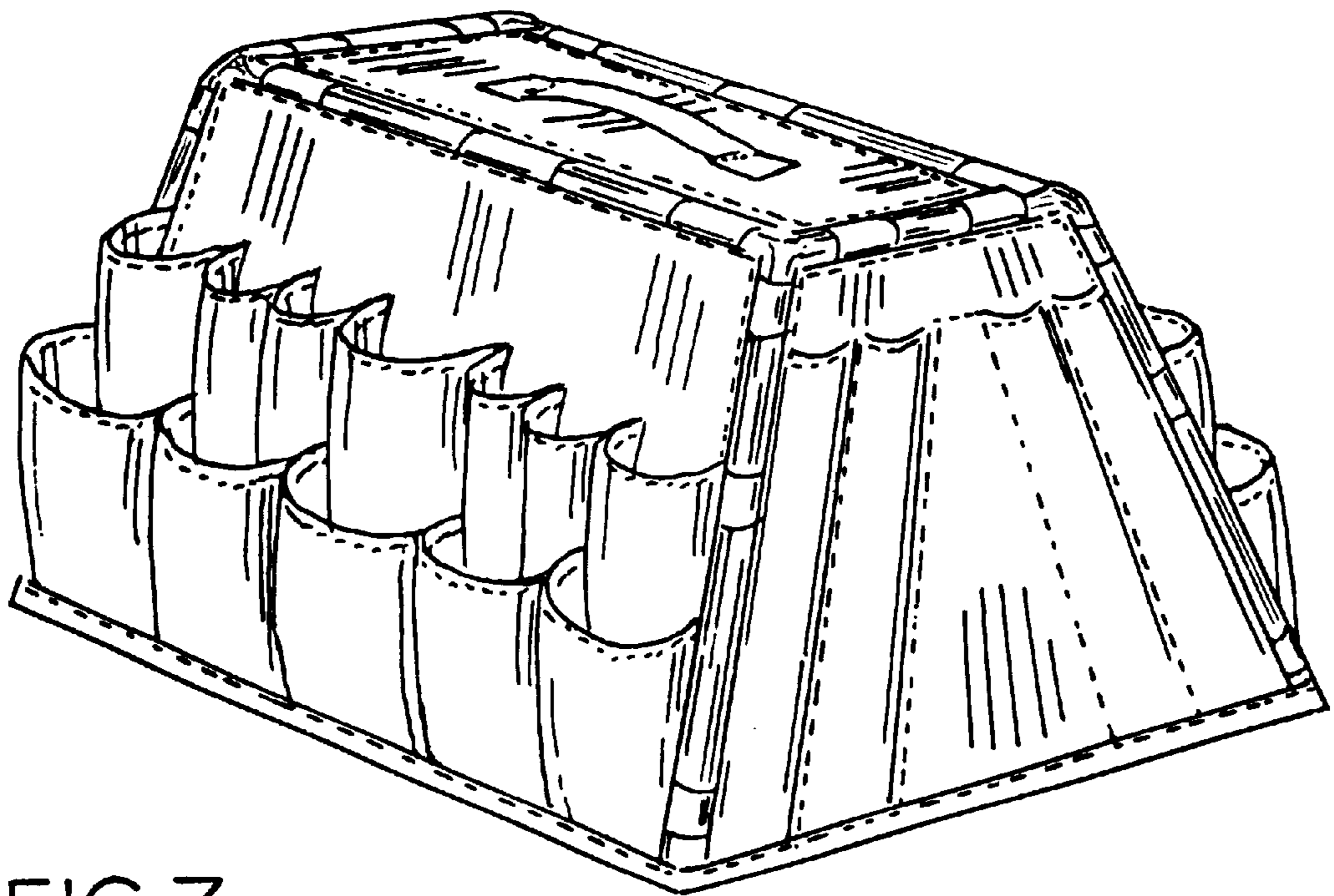


FIG.7

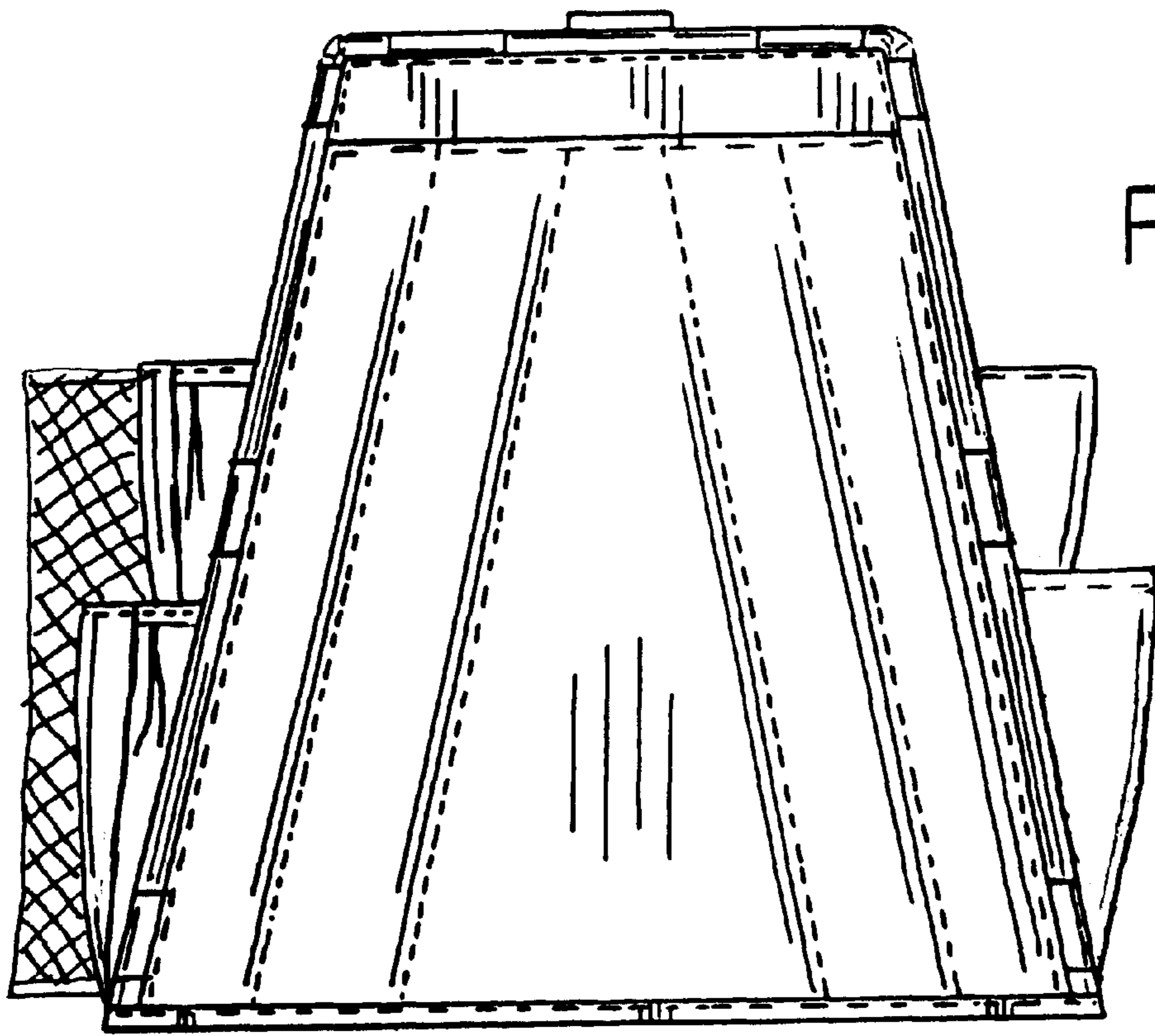


FIG. 8