



US00D445198S

(12) **United States Design Patent**
Frattini

(10) **Patent No.:** **US D445,198 S**

(45) **Date of Patent:** **** Jul. 17, 2001**

(54) **EQUIPMENT STORAGE TRAY**
(75) Inventor: **John Ernest Frattini**, Festus, MO (US)
(73) Assignee: **J F Medical L.L.C.**, Festus, MO (US)
(**) Term: **14 Years**

3,987,895	10/1976	Jamshidi	206/72
4,160,505 *	7/1979	Rauschenberger	206/564
4,216,860	8/1980	Heimann	206/370
4,266,669	5/1981	Watson	206/504
4,269,315	5/1981	Boyce	206/438
4,879,999	11/1989	Leiman et al.	128/207.14
5,031,775 *	7/1991	Kane	206/364
5,098,391	3/1992	Pantages et al.	604/159
5,529,189	6/1996	Feldschuh	206/570
5,947,284 *	9/1999	Foster	206/364

(21) Appl. No.: **29/113,064**
(22) Filed: **Oct. 27, 1999**

(51) **LOC (7) Cl.** **24-02**
(52) **U.S. Cl.** **D24/227; D24/229**
(58) **Field of Search** **D24/227, 230,**
D24/229; 206/557, 562, 564, 571, 563,
364, 366, 365, 363, 561, 370, 373

* cited by examiner

Primary Examiner—Ian Simmons

(74) *Attorney, Agent, or Firm*—Lewis, Rice & Fingersh

(57) **CLAIM**

I claim the ornamental design for equipment storage tray, as shown and described.

(56) **References Cited**

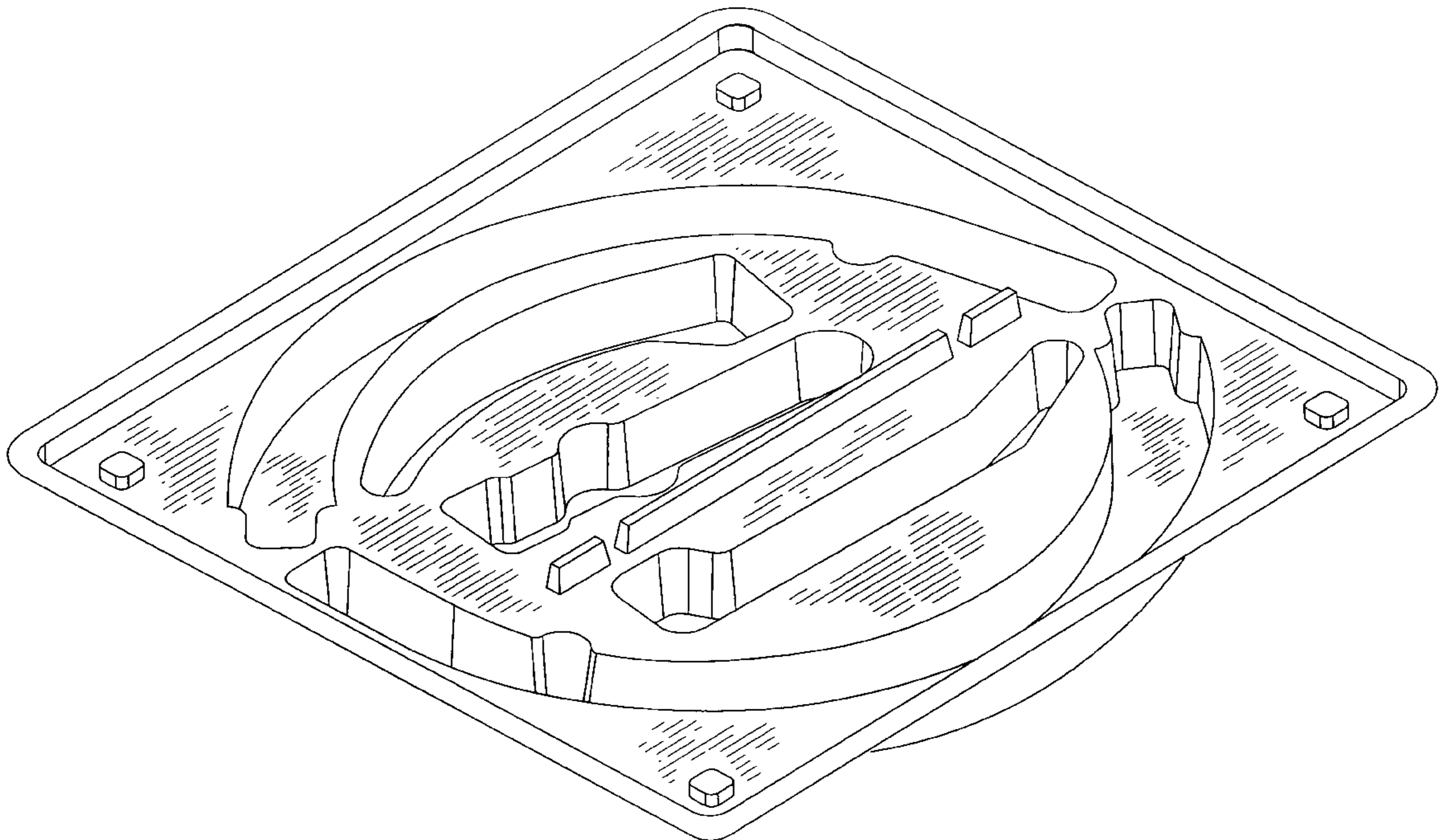
U.S. PATENT DOCUMENTS

D. 199,379 *	10/1964	Taterka	D24/229
D. 199,830	12/1964	Hill	D24/229
D. 202,013	8/1965	Hamilton	D24/229
D. 202,599	10/1965	Goyke	D24/229
D. 221,035	6/1971	Raines	D24/230
D. 237,317	10/1975	Nowakowski et al.	D24/229
D. 277,508	2/1985	Clair	D24/229
D. 283,051	3/1986	Fichera	D24/123
D. 283,160 *	3/1986	Steinman	D24/229
D. 297,167 *	8/1988	Steinman	D24/230
D. 343,687 *	1/1994	Houghton et al.	D24/229
D. 376,652	12/1996	Hunt et al.	D24/229
3,013,656	12/1961	Murphy	206/572

DESCRIPTION

FIG. 1 is a perspective view taken from the upper right side of an equipment storage tray showing my new design; FIG. 2 is a top plan view thereof; FIG. 3 is a bottom plan view thereof; FIG. 4 is a front elevational view thereof; FIG. 5 is a rear elevational view thereof; FIG. 6 is a right side elevational view thereof; FIG. 7 is a left side elevational view thereof; and, FIG. 8 is a cross-sectional view thereof taken along line 8—8 of FIG. 2.

1 Claim, 6 Drawing Sheets



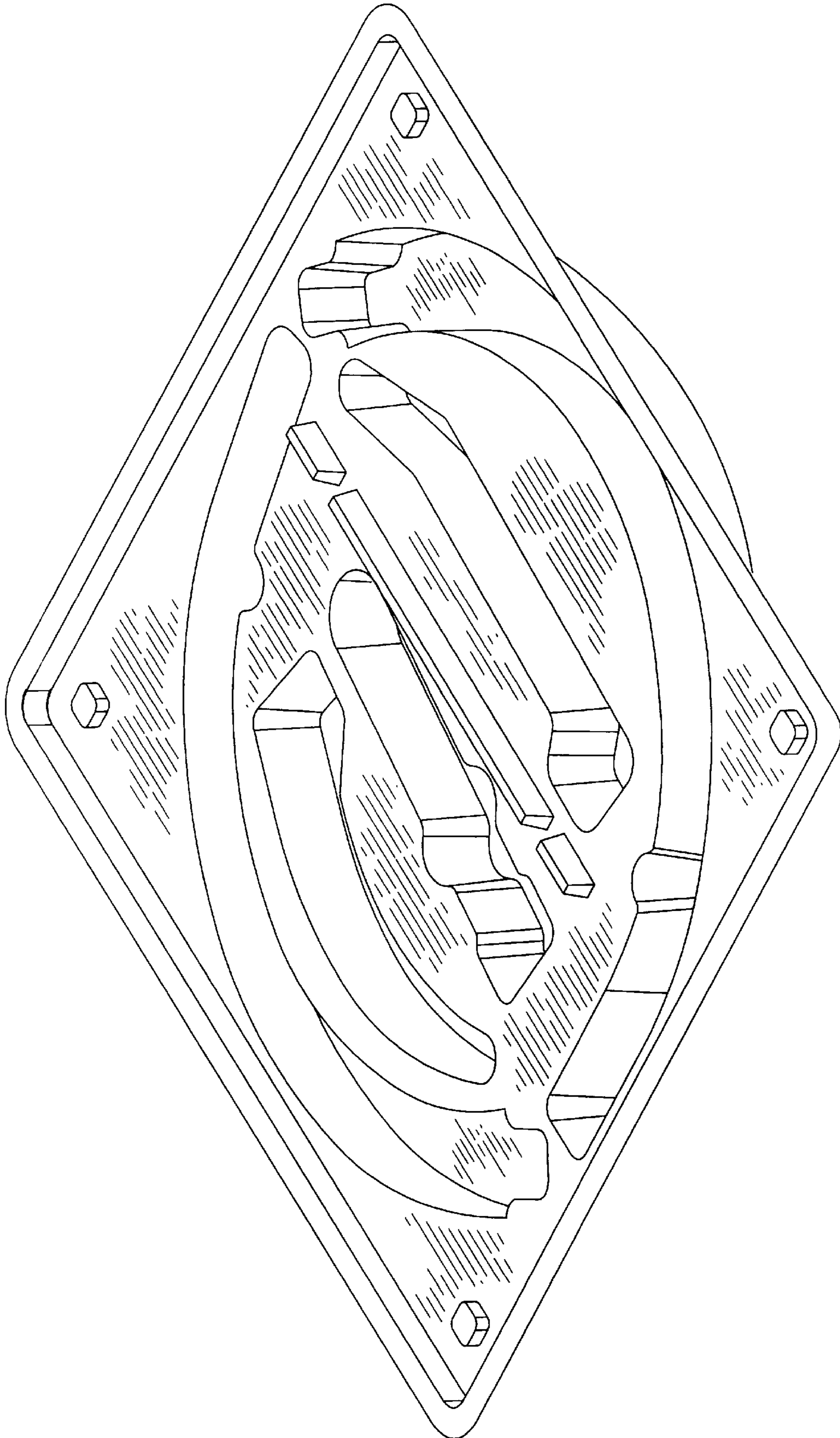


figure 1

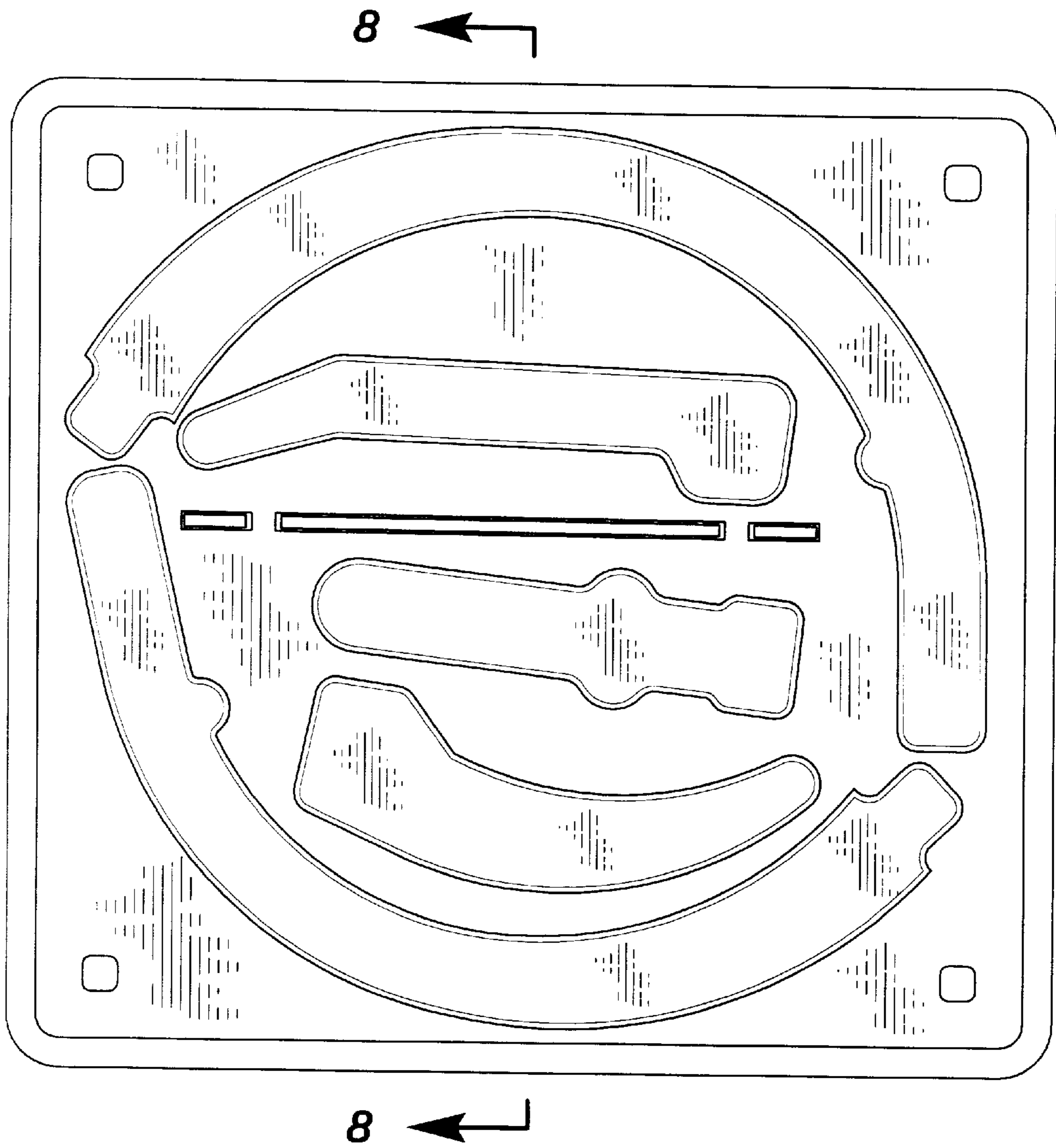


figure 2

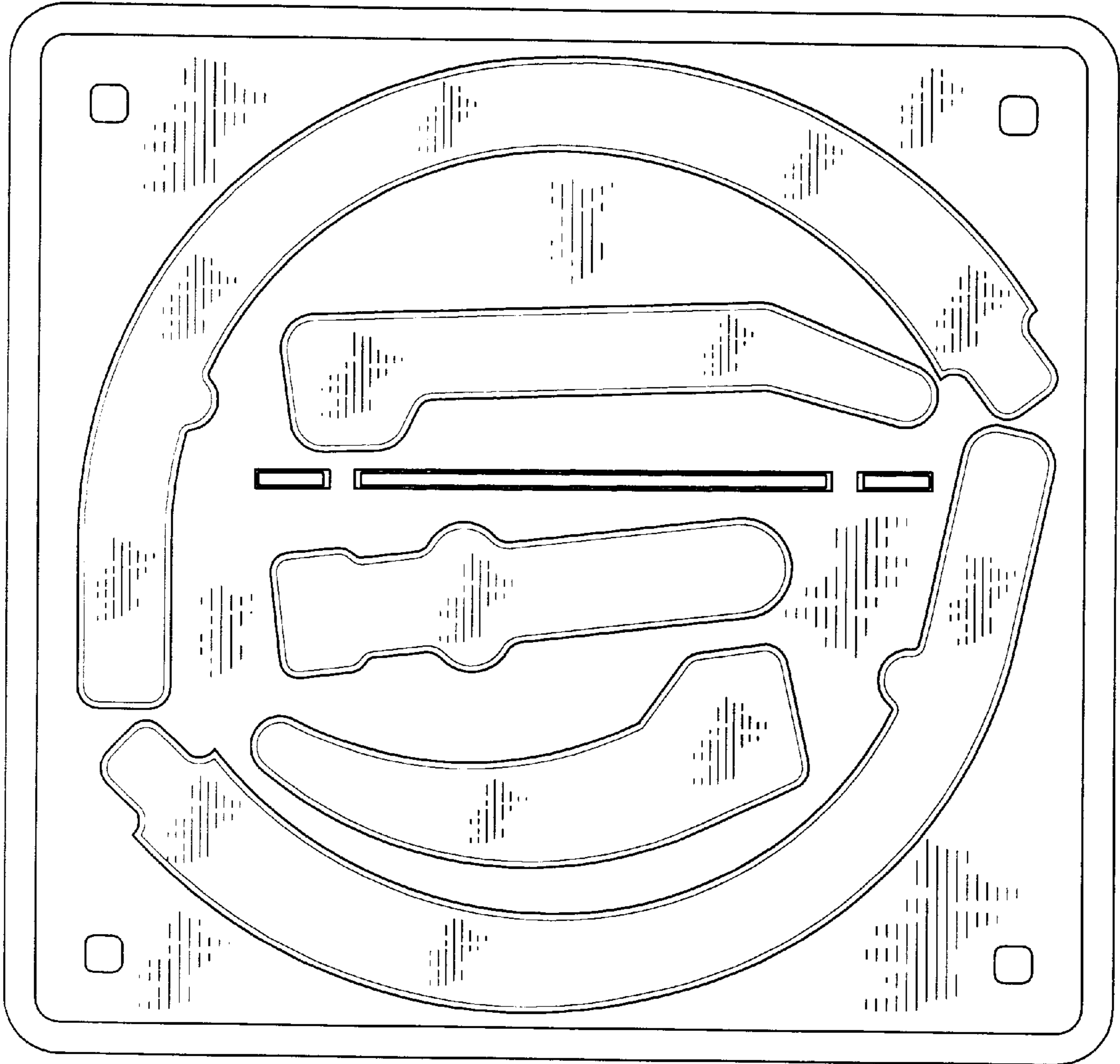


figure 3

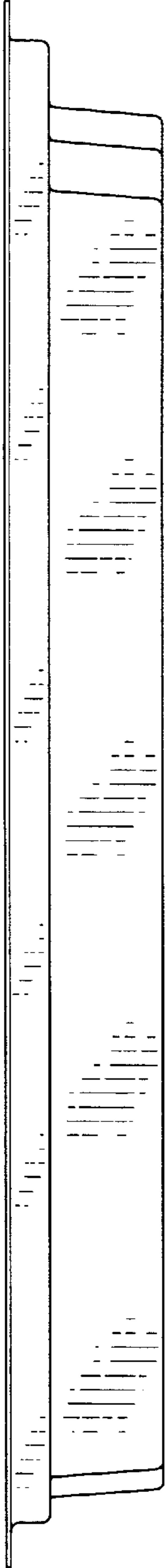


figure 4

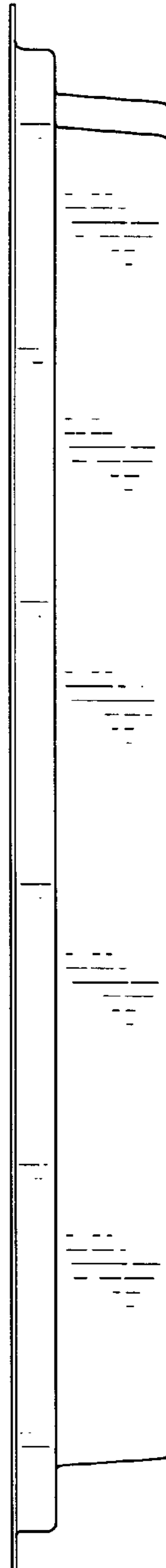


figure 5

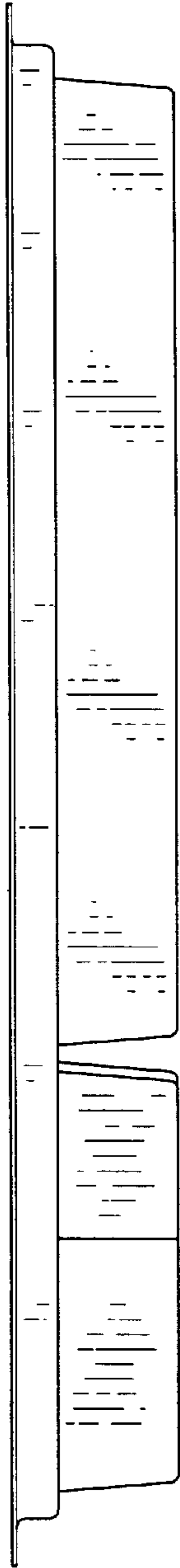


figure 6

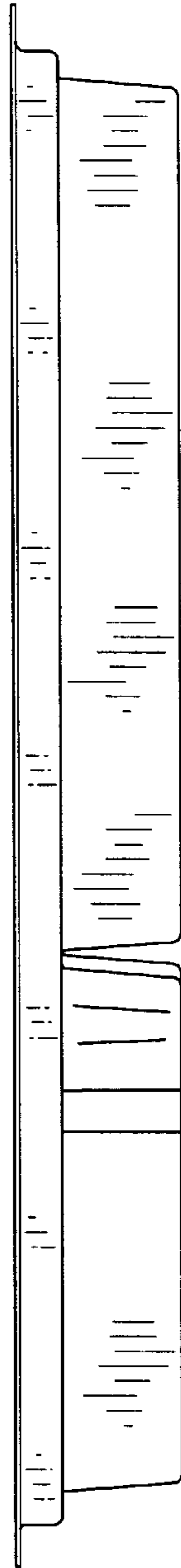


figure 7

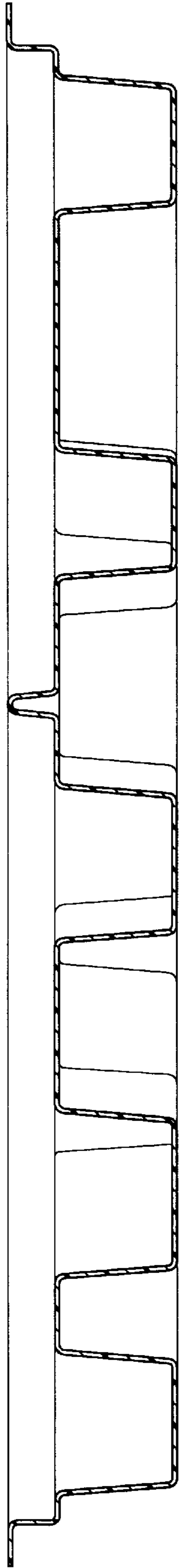


figure 8