



US00D445194S

(12) **United States Design Patent**
Chang

(10) **Patent No.:** **US D445,194 S**

(45) **Date of Patent:** **** Jul. 17, 2001**

(54) **BREATH FLOW AND BLOOD CIRCULATION AIDER**

5,716,331 * 2/1998 Chang 601/50
6,162,150 * 12/2000 Lee 482/51

(76) Inventor: **Edith Chang**, No. 16-1, Lane 742,
San-Feng Rd., Feng-Yuan City,
Taichung Hsien (TW)

* cited by examiner

Primary Examiner—Stella Reid

(74) *Attorney, Agent, or Firm*—Bacon & Thomas, PLLC

(**) Term: **14 Years**

(57) **CLAIM**

(21) Appl. No.: **29/130,072**

The ornamental design for breath flow and blood circulation aider, as shown and described.

(22) Filed: **Sep. 27, 2000**

DESCRIPTION

(51) **LOC (7) Cl.** **24-04**

(52) **U.S. Cl.** **D24/200**

(58) **Field of Search** D24/200, 212;
601/23, 27, 28, 29, 30, 33, 34, 35; 482/7;
D21/668

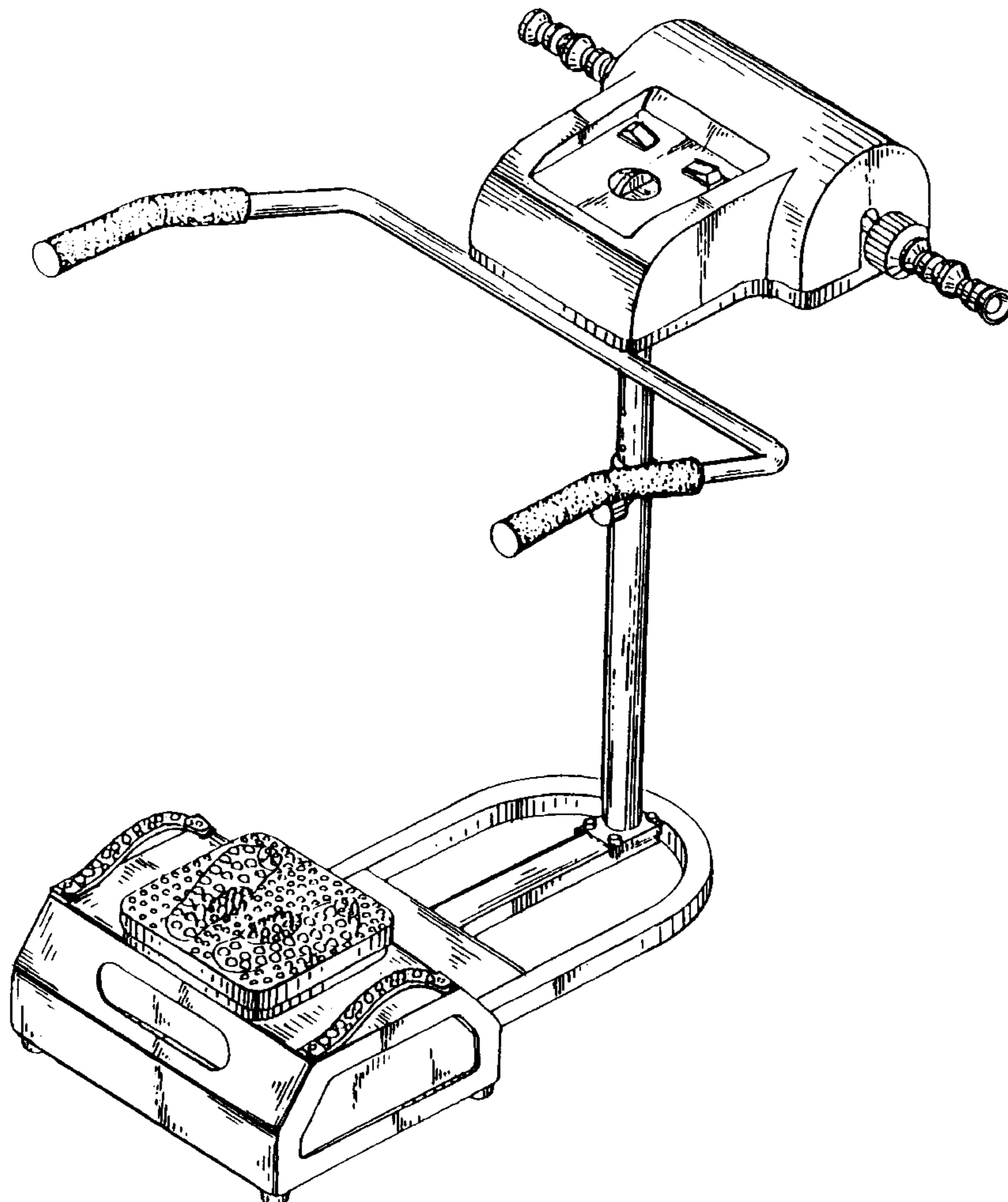
FIG. 1 is a perspective view of breath flow and blood circulation aider showing our new design thereof; FIG. 2 is a front elevational view thereof; FIG. 3 is a rear elevational view thereof; FIG. 4 is a left side elevational view thereof; FIG. 5 is a right side elevational view thereof; FIG. 6 is a top plan view thereof; and, FIG. 7 is a bottom plan view thereof.

(56) **References Cited**

U.S. PATENT DOCUMENTS

D. 393,296 * 4/1998 Lee D21/668
4,151,839 * 5/1979 Schwarz 601/104

1 Claim, 7 Drawing Sheets



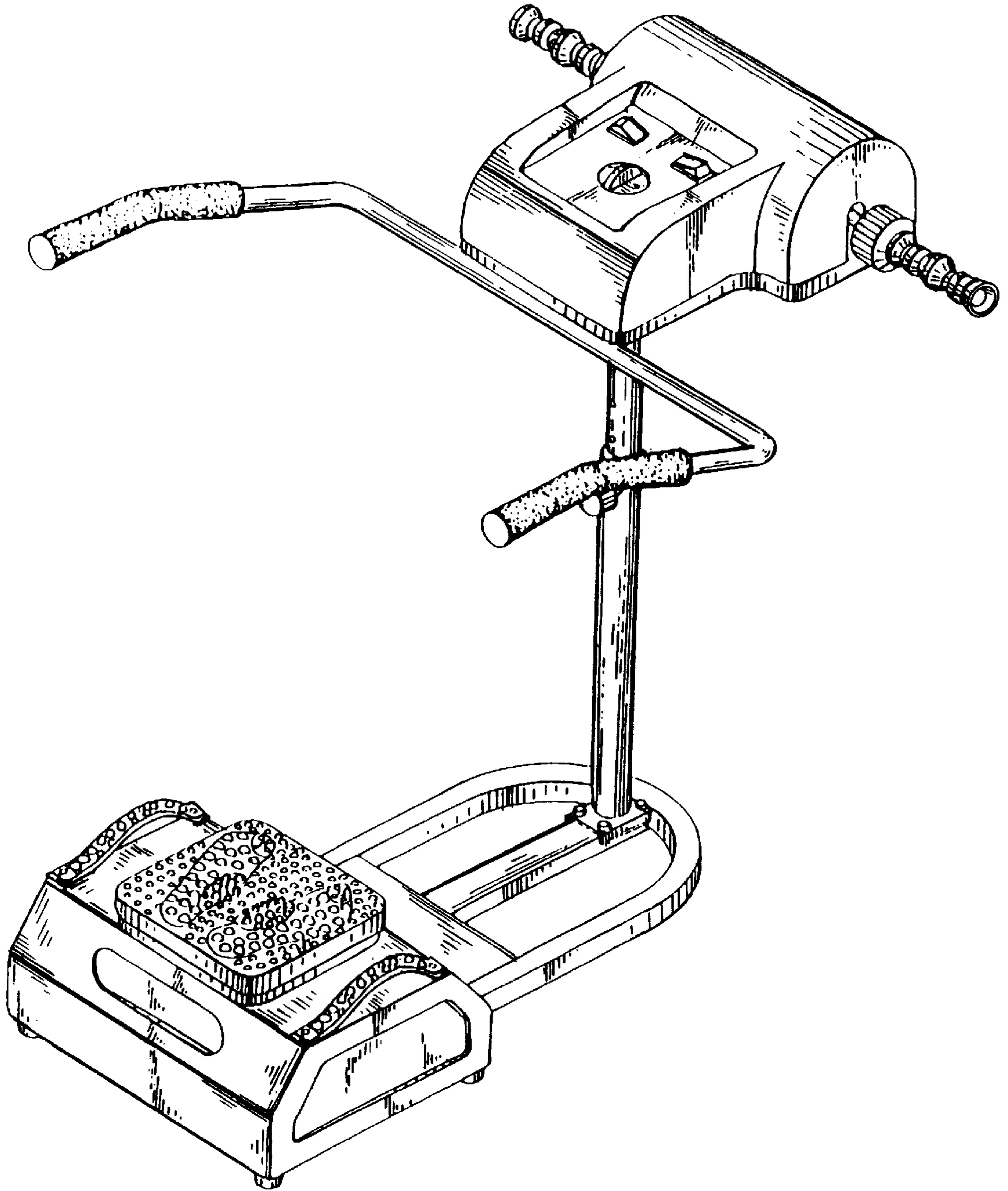


FIG. 1

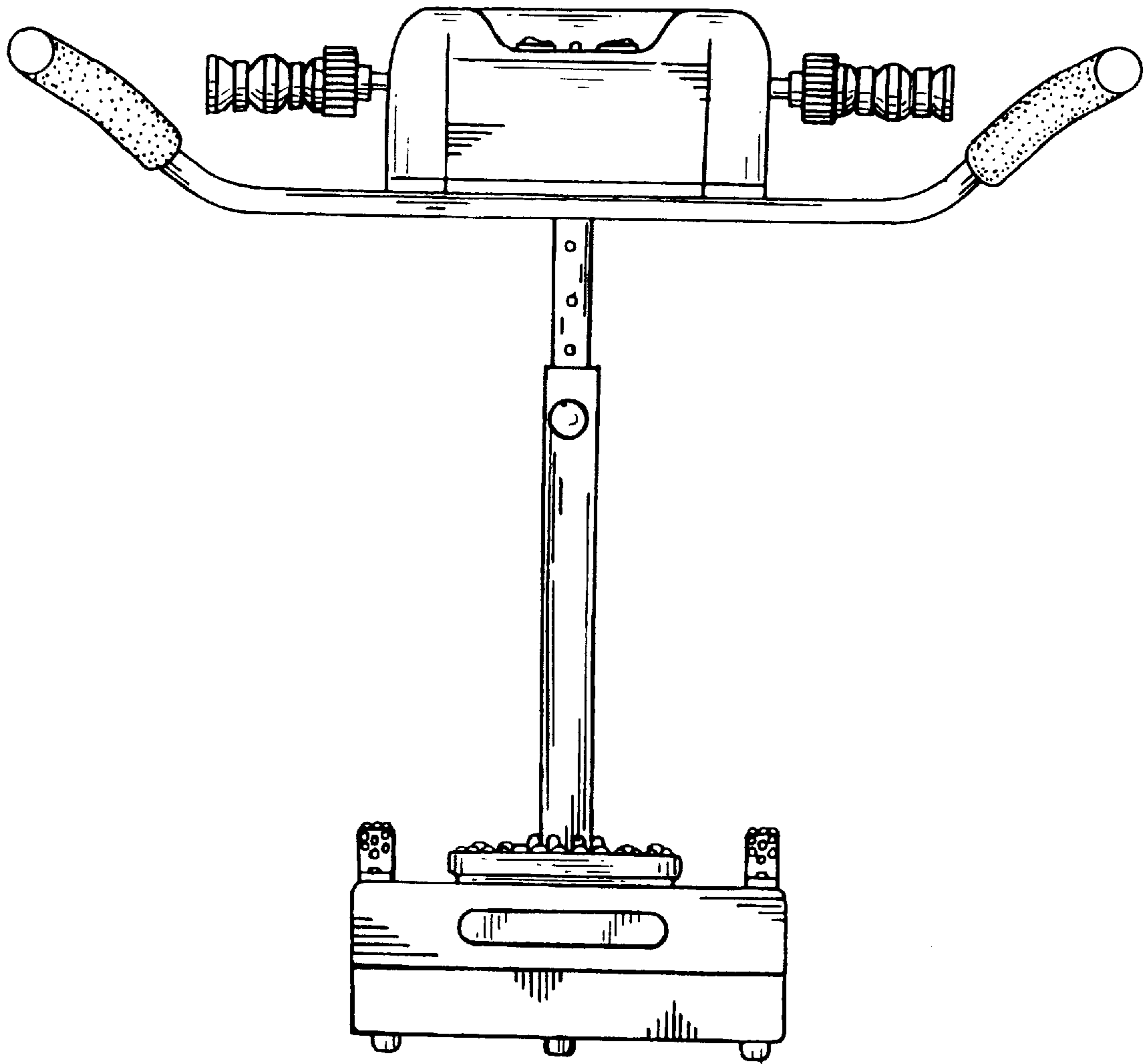


FIG. 2

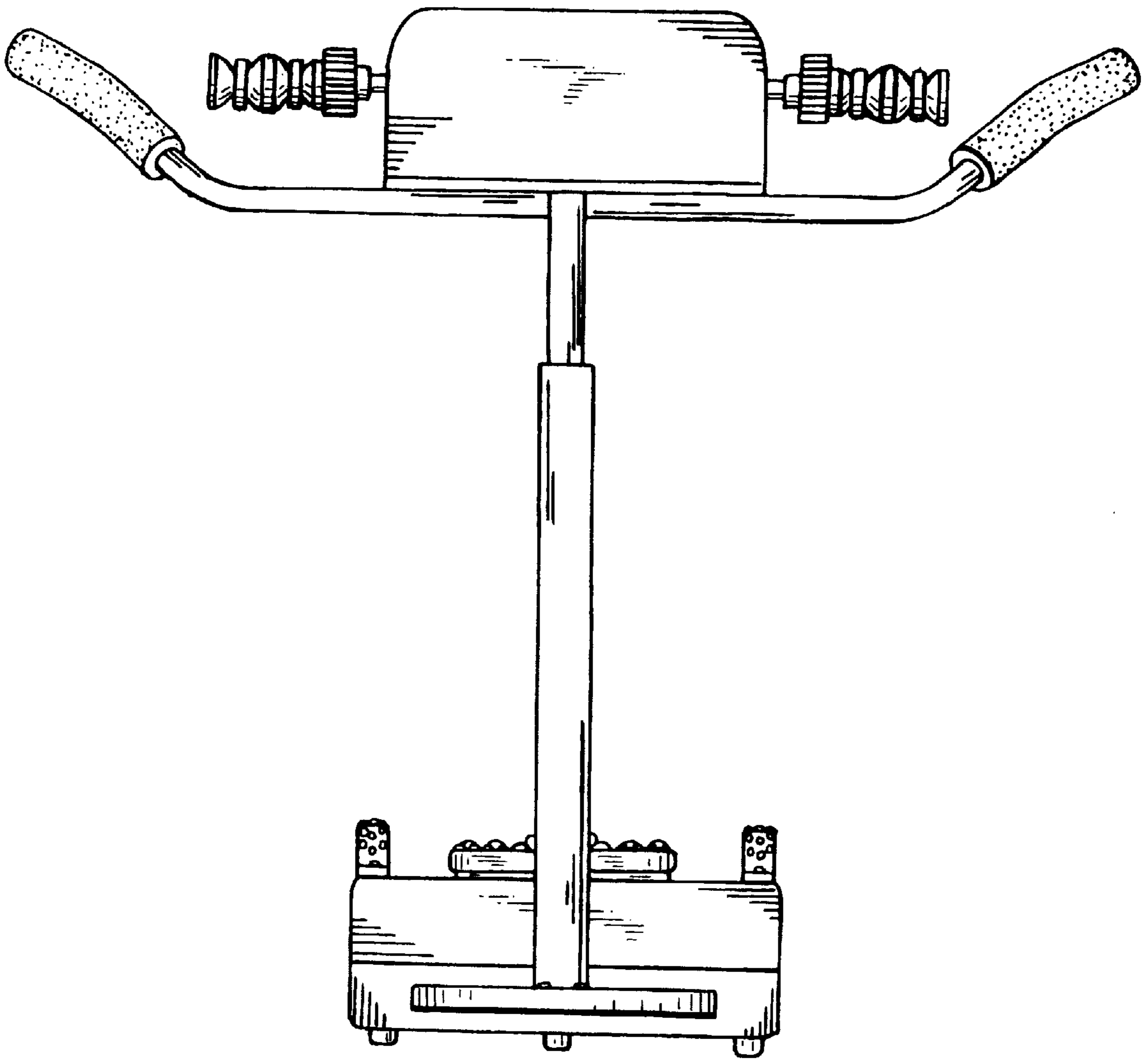


FIG. 3

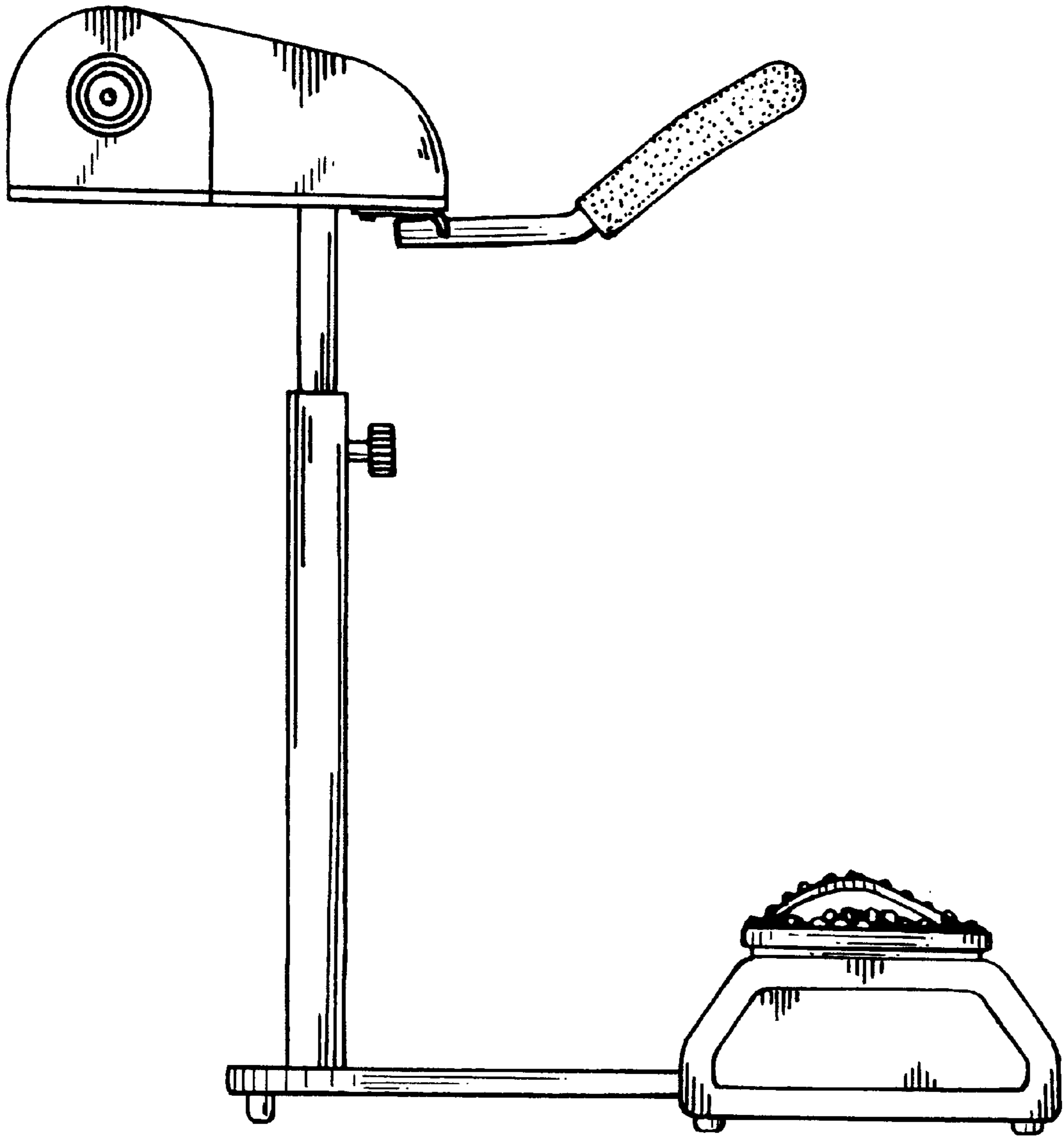


FIG. 4

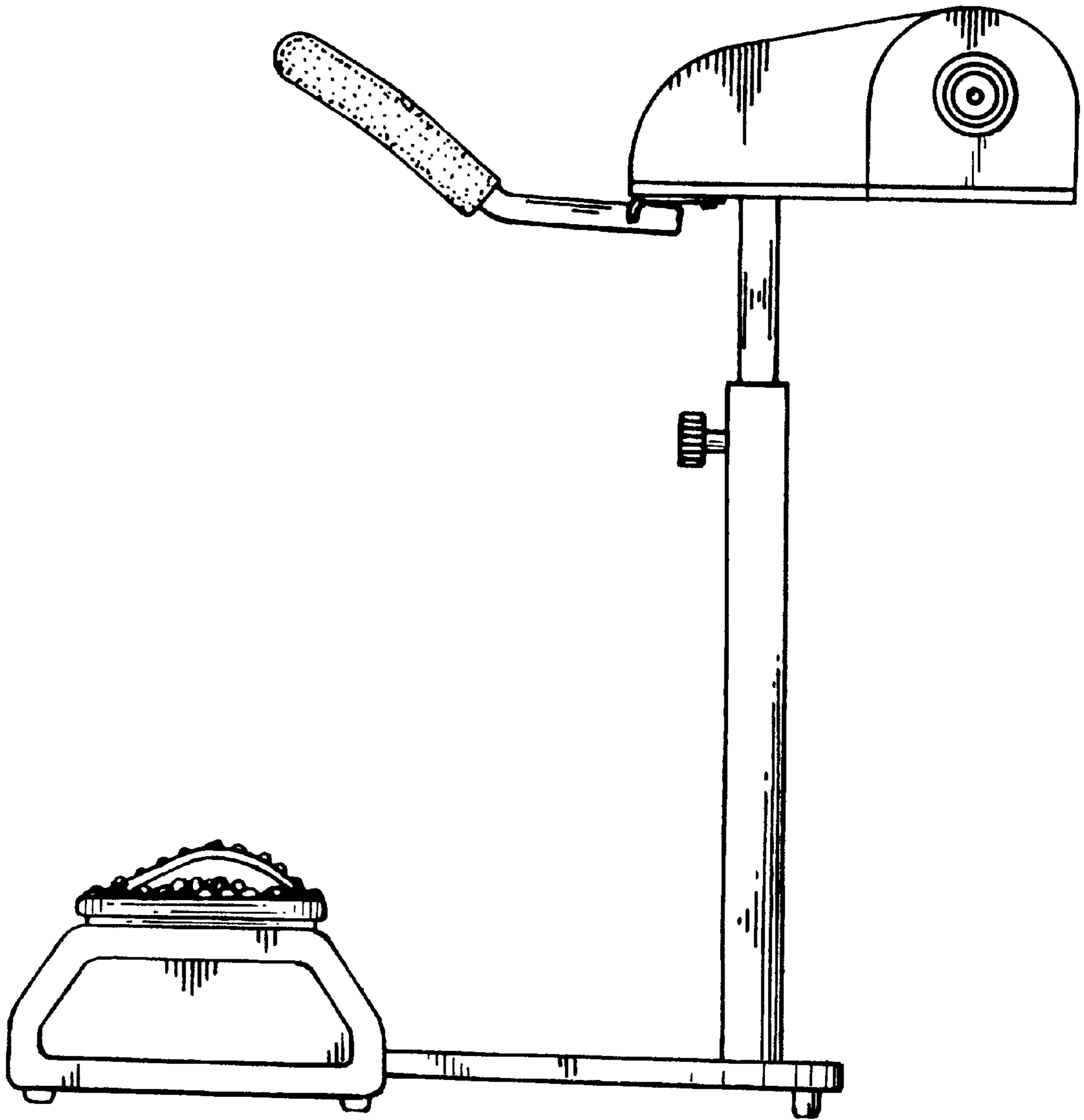


FIG. 5

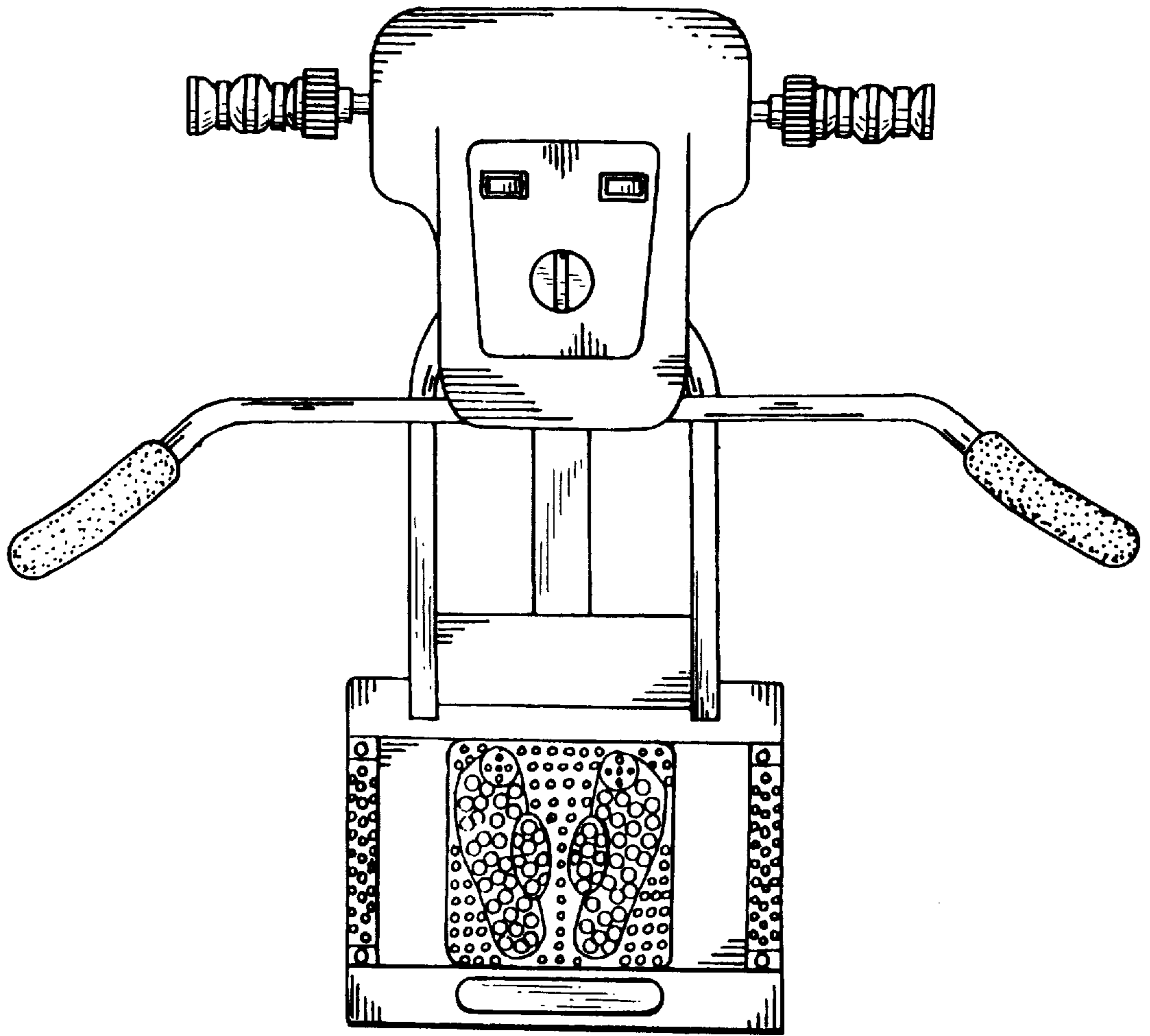


FIG. 6

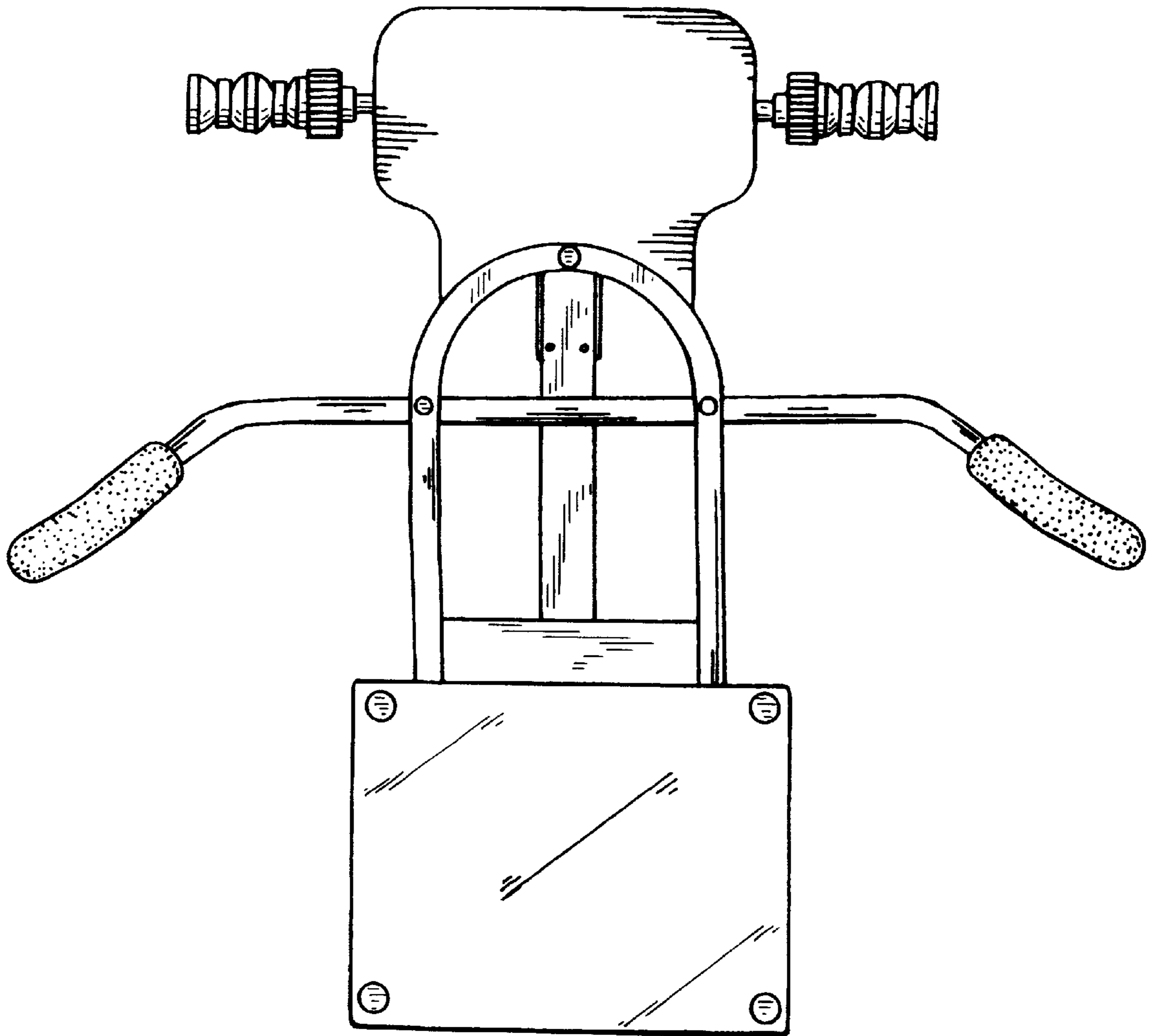


FIG. 7