



US00D445193S

(12) **United States Design Patent**  
**Manganiello et al.**

(10) **Patent No.: US D445,193 S**

(45) **Date of Patent: \*\* Jul. 17, 2001**

(54) **VENT DISK**  
  
(75) **Inventors: Francis X. Manganiello**, Pompton Plains, NJ (US); **Charles Renz**, Briarcliff Manor, NY (US)

4,010,861	3/1977	Welten .....	215/11 B
4,215,785	8/1980	Schwaiger .....	215/11
4,311,245	1/1982	Maffei .....	215/11 B
4,401,224	8/1983	Alonso .....	215/11 B
4,545,491	10/1985	Bisgaard .....	215/11 D

(List continued on next page.)

(73) **Assignee: Playtex Products, Inc.**, Westport, CT (US)

**FOREIGN PATENT DOCUMENTS**

(\*\*) **Term: 14 Years**  
  
(21) **Appl. No.: 29/121,308**  
(22) **Filed: Apr. 5, 2000**  
(51) **LOC (7) Cl. .... 24-04**  
(52) **U.S. Cl. .... D24/193**  
(58) **Field of Search .... D24/197, 193;**  
**215/11.1, 11.2, 11.3, 11.4, 11.5, 11.6**

2219398	4/1998	(CA) .
1058610	3/1954	(FR) .
1432798	4/1976	(GB) .
2238729A	6/1991	(GB) .
2318573A	4/1998	(GB) .
10-127734	5/1998	(JP) .
WO 90/07320	7/1990	(WO) .
WO 92/21312	12/1992	(WO) .
WO 98/18427	5/1998	(WO) .
WO 99/11218	3/1999	(WO) .

\* cited by examiner

(56) **References Cited**

**U.S. PATENT DOCUMENTS**

D. 338,531	*	8/1993	Howell .....	D24/193
357,439		2/1887	Wheelock .	
577,199		2/1897	Neidlinger .	
921,387		5/1909	Etter .	
1,972,895		9/1934	Maccoy .....	215/11
2,043,186	*	6/1936	O'Dette .....	215/11.5
2,060,212		11/1936	Herstein .....	128/252
2,084,099		6/1937	Maccoy .....	215/11
2,365,947		12/1944	Ganson .....	215/11
2,394,722	*	2/1946	Sloane .....	215/11.5
2,525,745		10/1950	Wycoff .....	215/11
2,546,681		3/1951	Searer .....	215/11
2,774,500		12/1956	Budiani .....	215/11
2,960,088		11/1960	Witz .....	128/252
2,982,432		5/1961	Mehl .....	215/11
3,113,687		12/1963	Butts .....	215/11
3,134,495		5/1964	Carbonel .....	215/11
3,511,407		5/1970	Palma .....	220/44
3,718,140		2/1973	Yamauchi .....	128/252
3,768,682		10/1973	Myers et al. ....	215/11 B
3,883,025		5/1975	Jemmett .....	215/341

*Primary Examiner*—Stella Reid

(74) *Attorney, Agent, or Firm*—Ohlandt, Greeley, Ruggiero, & Perle, LLP

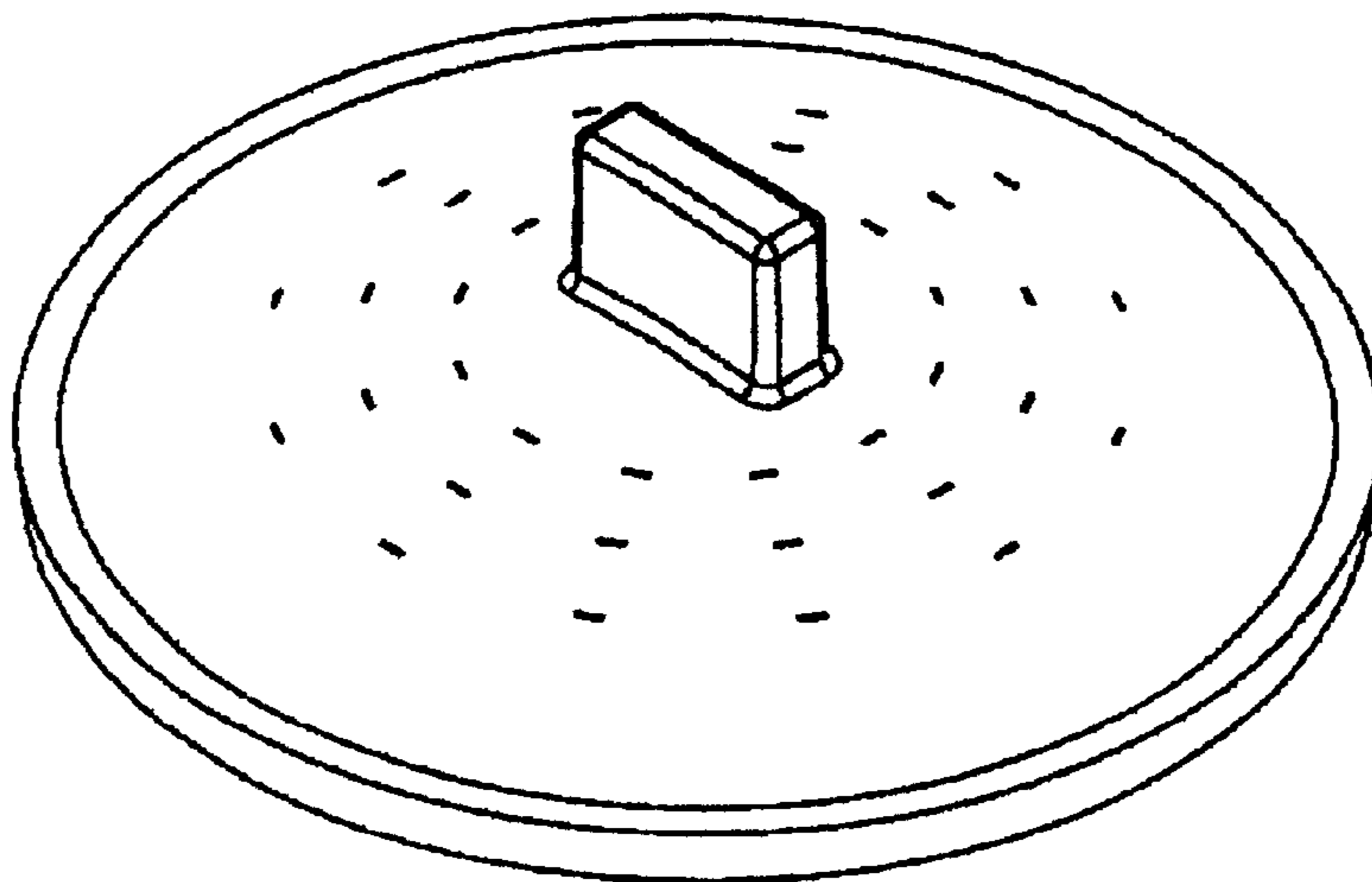
(57) **CLAIM**

The ornamental design for the vent disk, as shown and described in the accompanying figures.

**DESCRIPTION**

FIG. 1 is a top perspective view of a vent disk showing our design;  
FIG. 2 is a bottom perspective view of the vent disk of FIG. 1;  
FIG. 3 is a front view of the vent disk of FIG. 1, the rear view being identical to the front view thereof;  
FIG. 4 is a right side view of the vent disk of FIG. 1, the left side view being identical to the right side view thereof;  
FIG. 5 is a top view of the vent disk of FIG. 1; and,  
FIG. 6 is a bottom view of the vent disk of FIG. 1.

**1 Claim, 3 Drawing Sheets**



# US D445,193 S

Page 2

---

U.S. PATENT DOCUMENTS		
4,685,577	8/1987	Chen ..... 215/11 D
4,723,668	2/1988	Cheng ..... 215/11.5
4,818,114	4/1989	Ghavi ..... 366/130
4,865,207	9/1989	Joyner et al. .... 215/11.5
4,928,836	5/1990	Wu et al. .... 215/11.5
4,940,151	7/1990	Fett ..... 215/11.1
4,993,568	2/1991	Morifuji et al. .... 215/11.1
5,071,017	12/1991	Stull ..... 215/260
5,078,287	1/1992	Holmes, III ..... 215/11.5
5,101,991	4/1992	Morifuji et al. .... 215/11.1
5,215,312	6/1993	Knappe et al. .... 277/1
5,339,971	8/1994	Rohrig ..... 215/11.5
5,431,290	7/1995	Vinciguerra ..... 215/11.5
5,433,353	7/1995	Flinn ..... 222/481
5,499,729	3/1996	Greenwood ..... 215/11.5
5,601,199	2/1997	Marty ..... 215/11.5
5,607,074	3/1997	De Gennaro ..... 215/11.5
5,791,503 *	8/1998	Lyons ..... 215/11.5
5,799,808 *	9/1998	Oh ..... 215/11.1
6,053,342	4/2000	Chomik ..... 215/11.5
6,138,710	10/2000	Chomik et al. .... 137/512.15

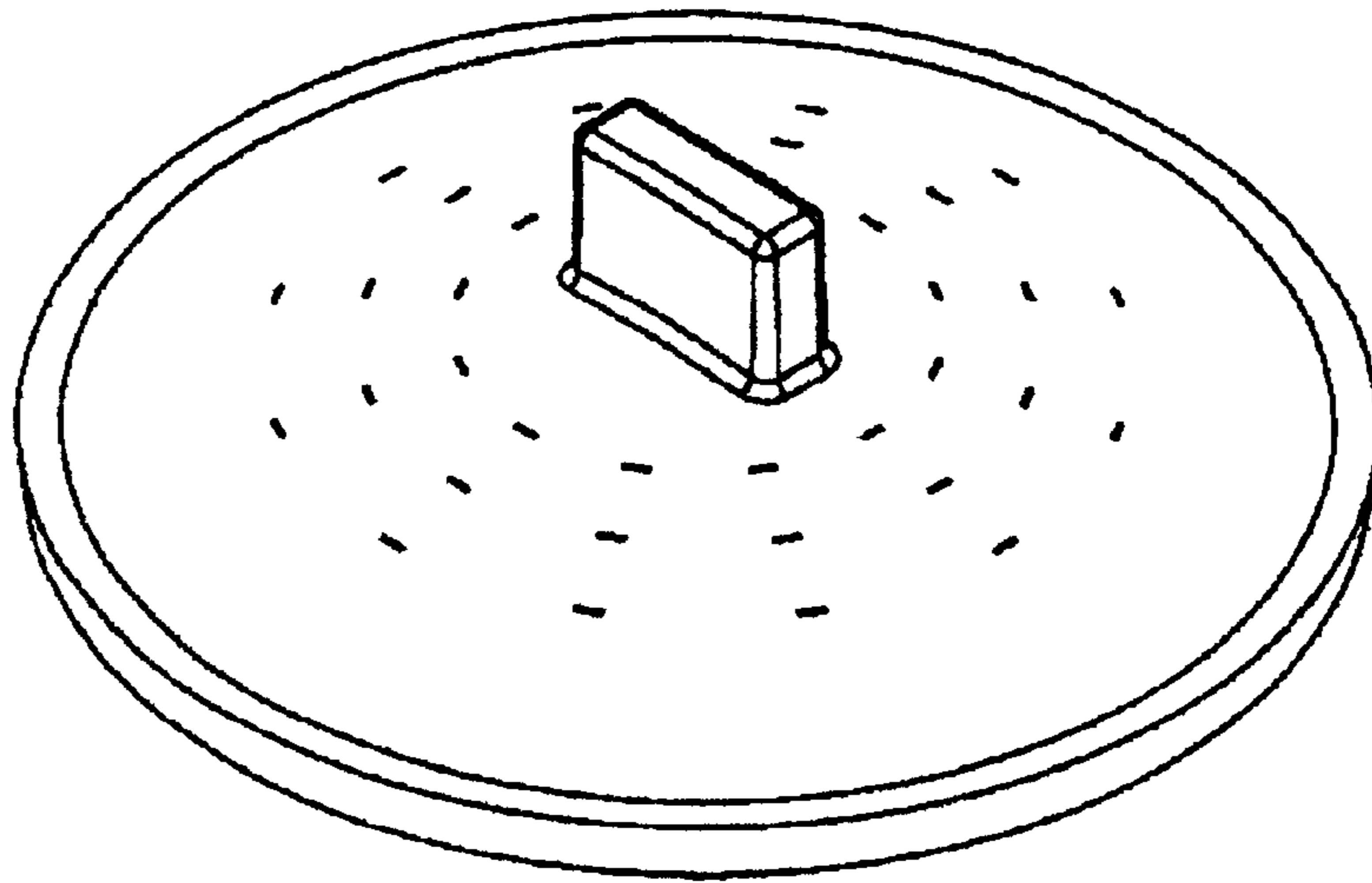


FIG. 1

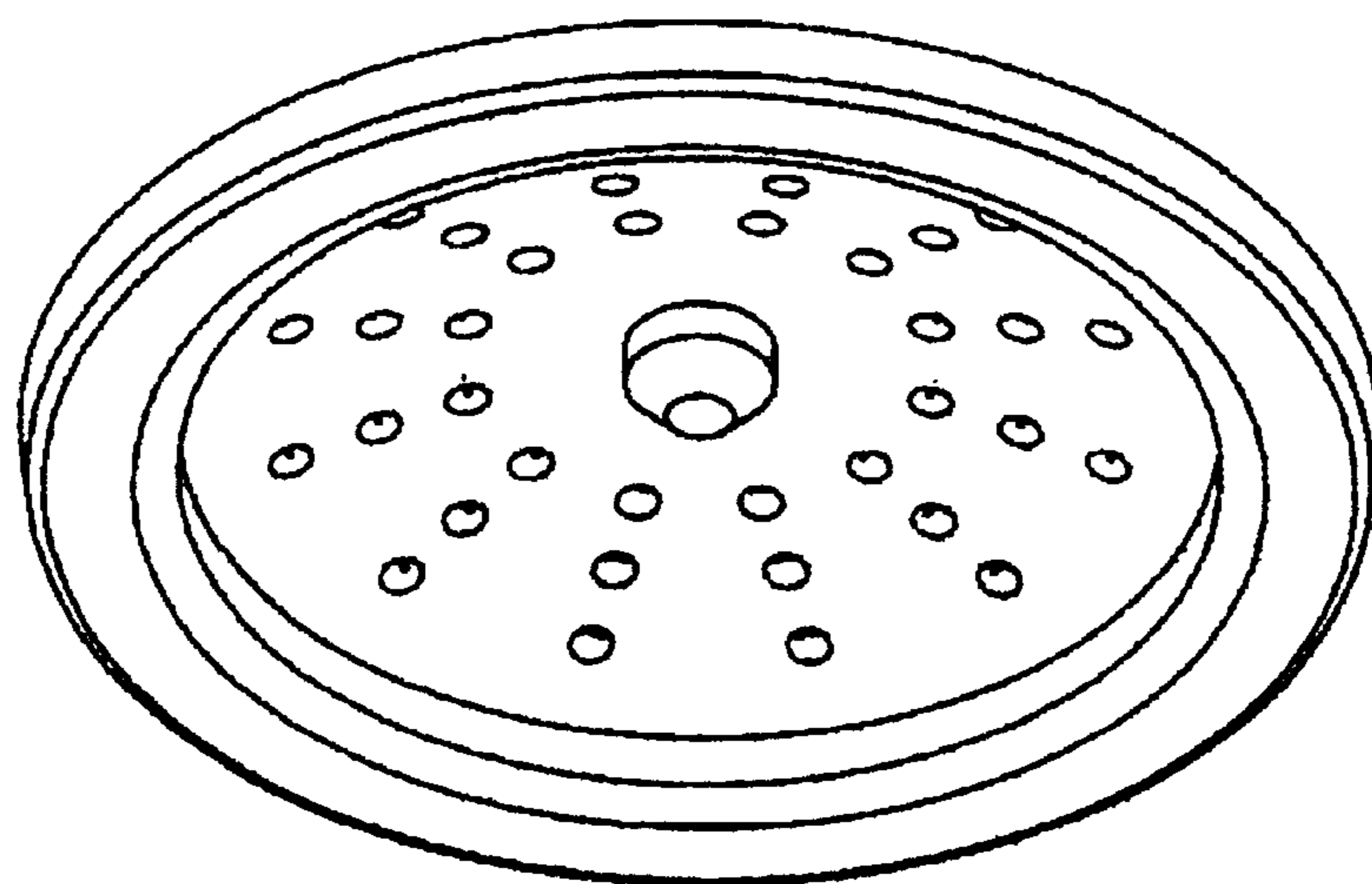
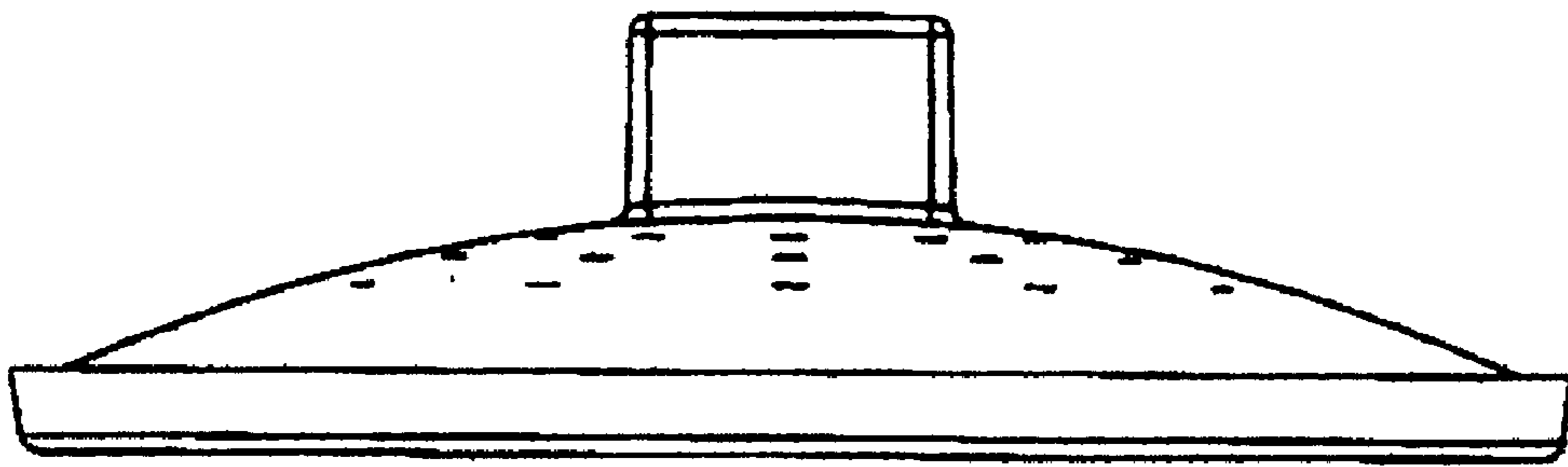
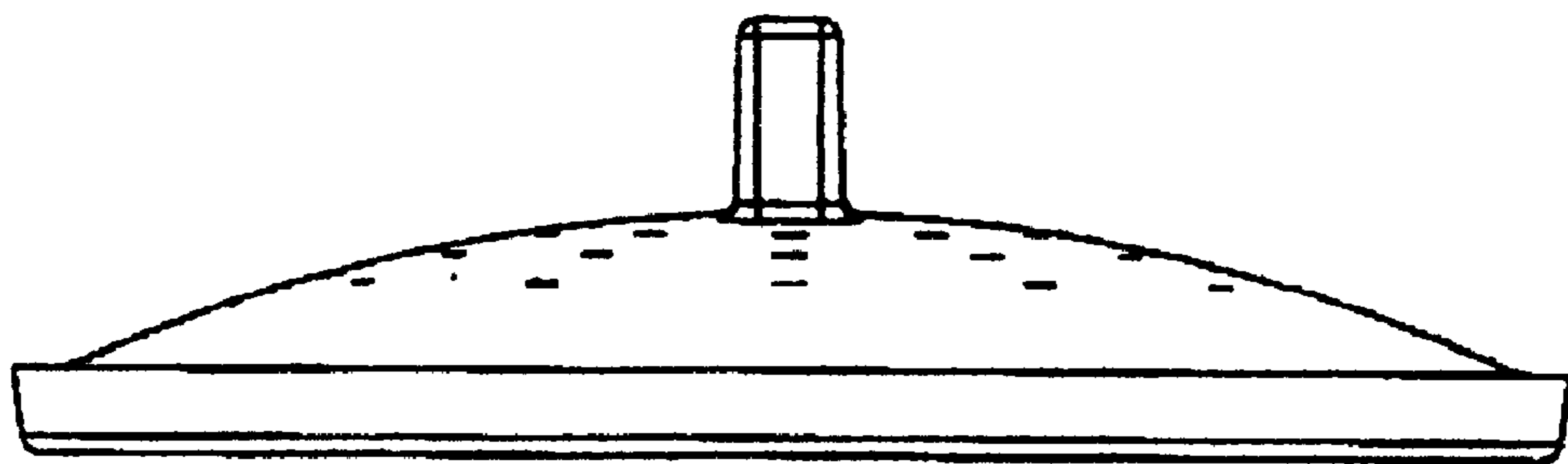


FIG. 2



**FIG. 3**



**FIG. 4**

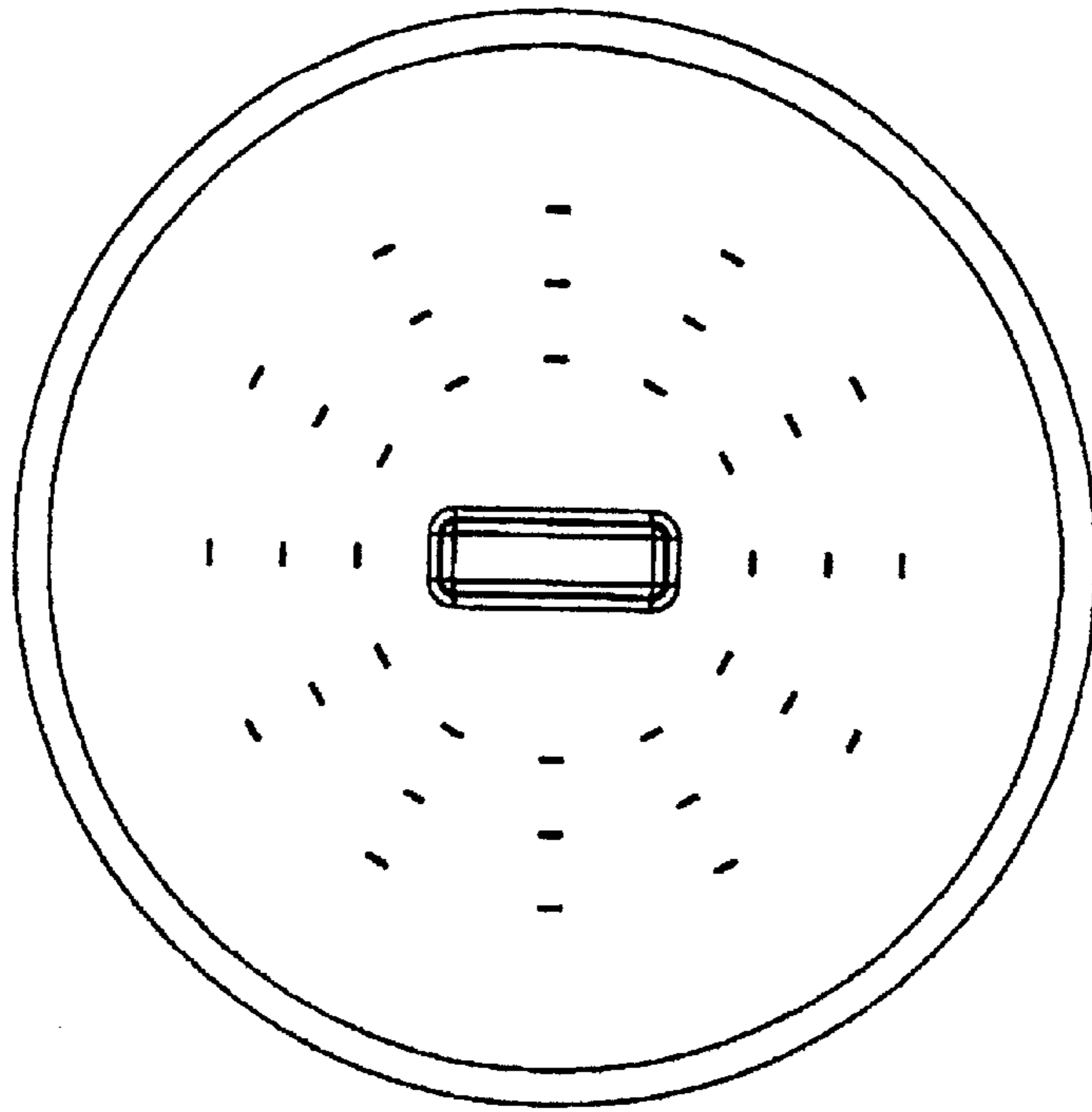


FIG. 5

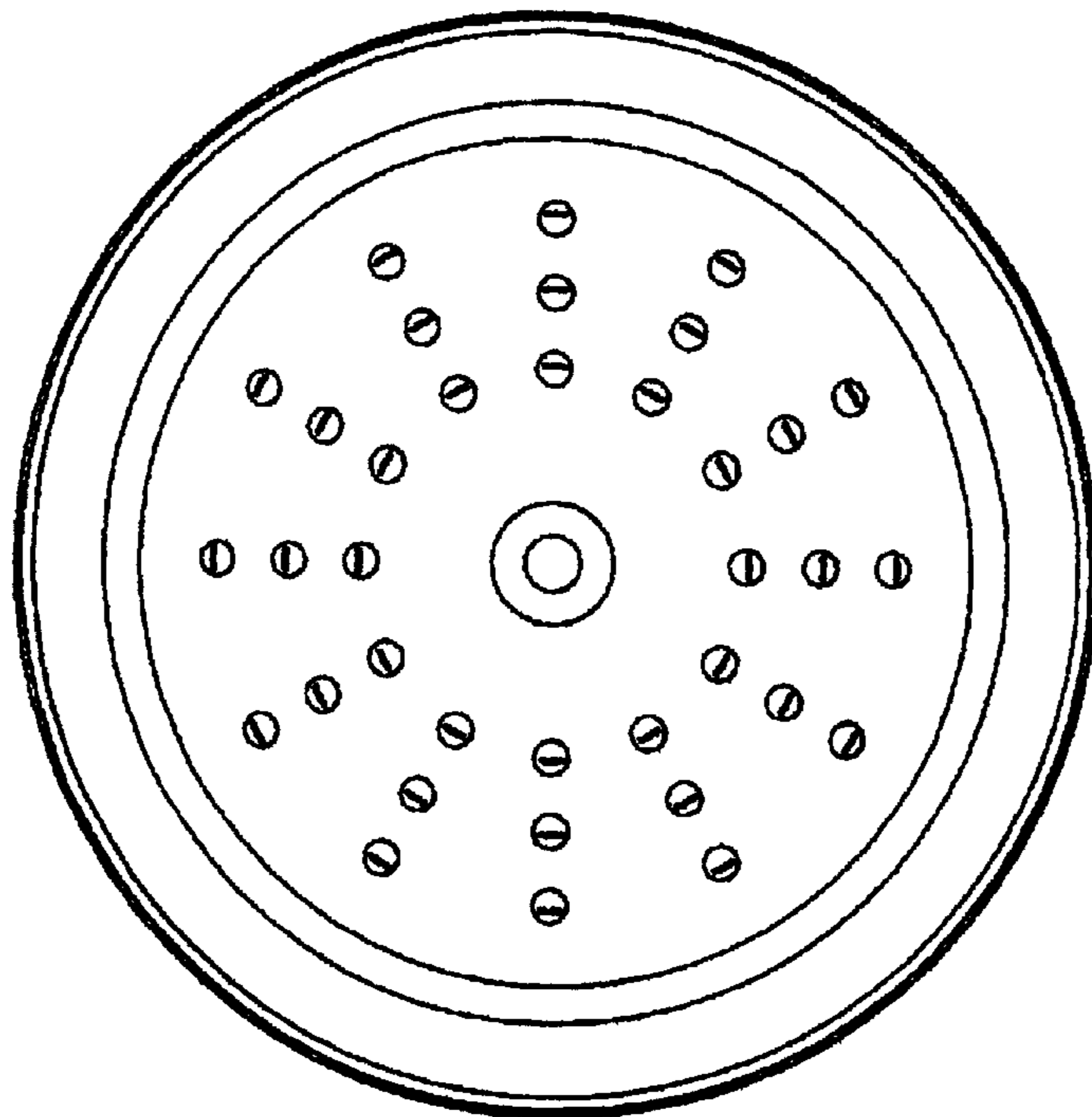


FIG. 6